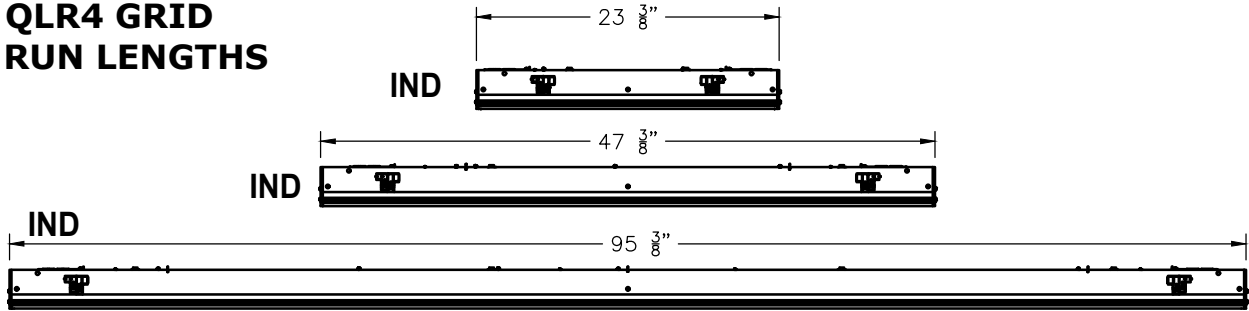
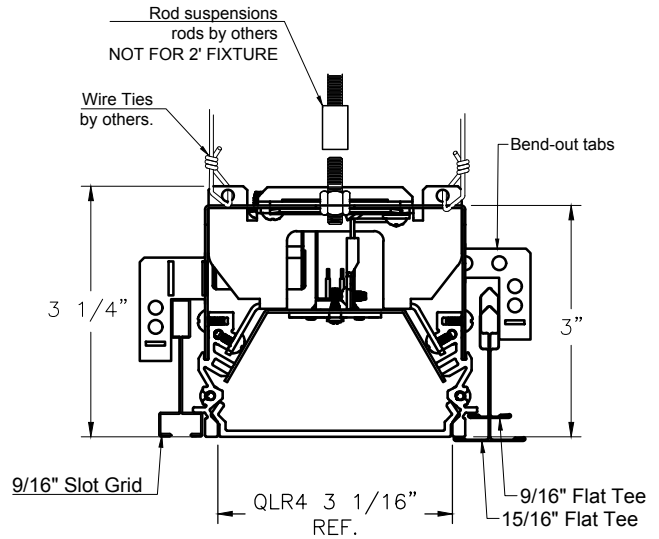
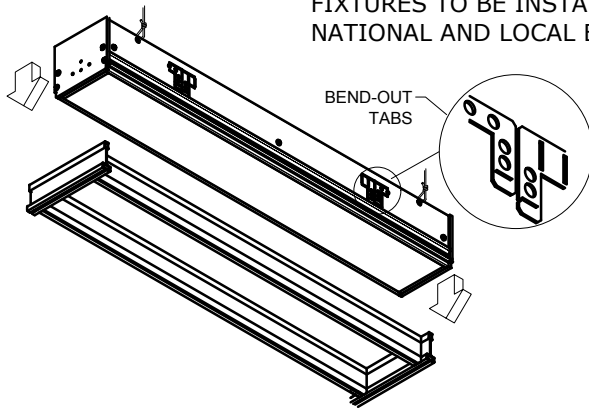


**WARNING - RISK OF FIRE AND ELECTRICAL SHOCK. FIXTURE MUST BE INSTALLED BY A QUALIFIED ELECTRICIAN ONLY. FIXTURE IS INTENDED FOR INSTALLATION IN ACCORDANCE WITH THE NATIONAL ELECTRICAL CODE, LOCAL AND FEDERAL SPECIFICATIONS. DISCONNECT POWER AT ELECTRICAL PANEL BEFORE SERVICING.**  
**RETAIN THESE INSTRUCTIONS FOR MAINTENANCE REFERENCE.**

**QLR4 GRID  
RUN LENGTHS**



FIXTURES TO BE INSTALLED PER NEC "MEANS OF SUPPORT" AND ALL FEDERAL, NATIONAL AND LOCAL BUILDING CODES.



1. FIXTURE TO BE INSTALLED BEFORE CEILING.
2. E.C. TO SECURE FIXTURE PER NEC CODE, VIA THREADED RODS, WIRE TIES OR OTHER MEANS (HARDWARE SUPPLIED BY E.C.).
4. TURN POWER OFF AT ELECTRICAL PANEL. REMOVE ACCESS PLATE ON TOP OF HOUSING FOR EACH FIXTURE. KNOCK OUT K.O. AS REQUIRED, MAKE ELECTRICAL CONNECTIONS.
5. RE-INSTALL ACCESS PLATE TO HOUSING.
6. FOR CONTINUOUS ROWS INSTALL BOR-BEGINING OF ROW MOR-MIDDLE OF ROW AND EOR-END OF ROW FIXTURE SECTION PER PLAN.
9. TURN ON POWER.

Contractor's responsibility to hold these dimensions before & after installation.

Black - Switched Hot	Gray - Dim (-)
White - Neutral	Purple - Dim (+)
Green - Ground	Orange (Red) - EMB Unswitched Hot
	Optional - Cap if unused

Note: If a 4' EMB is in Run the Orange (Red) conductor must be wired to an unswitched Hot.

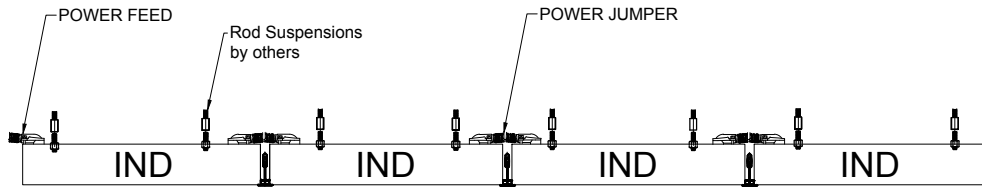
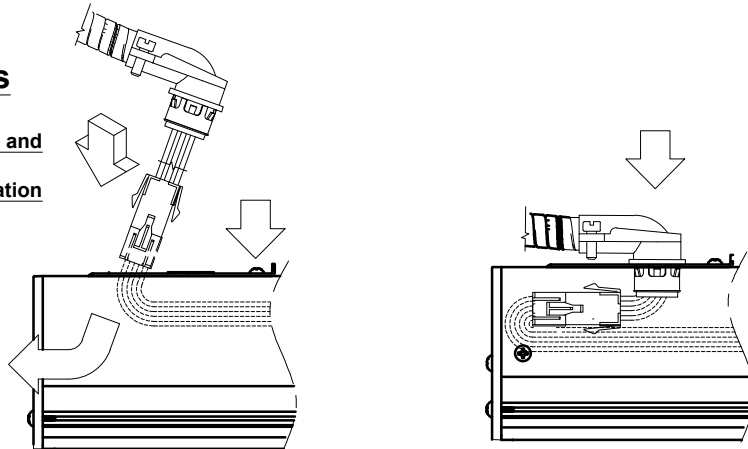
**FIXTURE IS ONLY SHIPPED AS AN INDIVIDUAL**

Fixture As Shipped



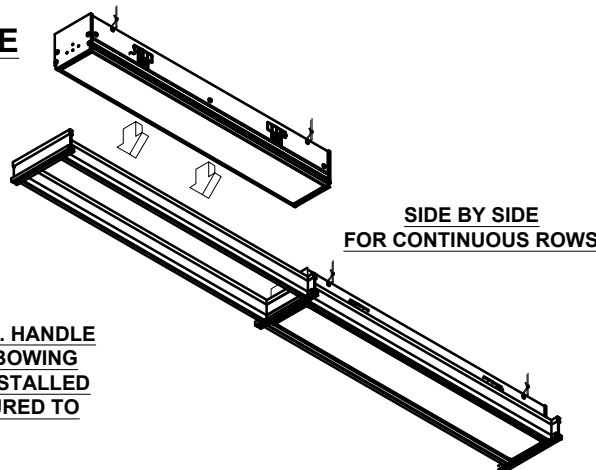
**Connect Feed to appropriate Fixtures**

Identify which fixtures require a feed and connect the appropriate kit. For detailed instructions, see installation sheet packed in Feed Kits



For detailed instructions on feeding power to fixtures, see installation sheets packed in Feed KITS

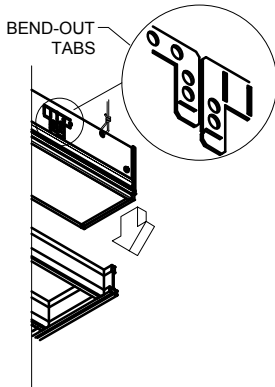
**1. INSTALLING FIXTURE**



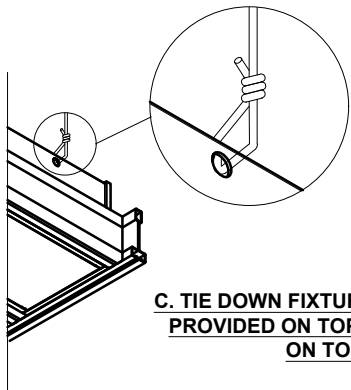
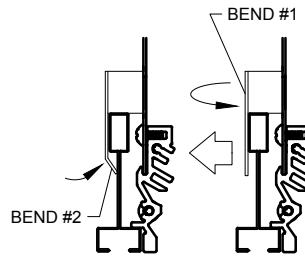
**LIFT FIXTURE INTO SECURED GRID. HANDLE FIXTURE CAREFULLY TO AVOID BOWING AND/ OR FIXTURE DISTORTION. INSTALLED FIXTURE TO BE LEVEL AND SECURED TO GRID.**

**2. SECURING FIXTURE**

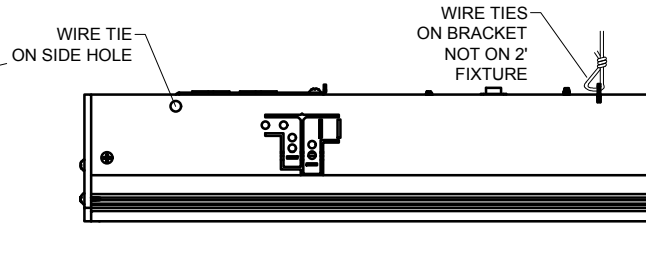
**A. BEND OUT SIDE TABS TO HANG OVER THE GRID.**



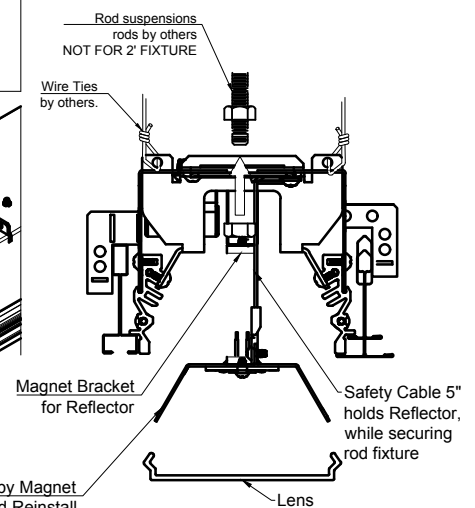
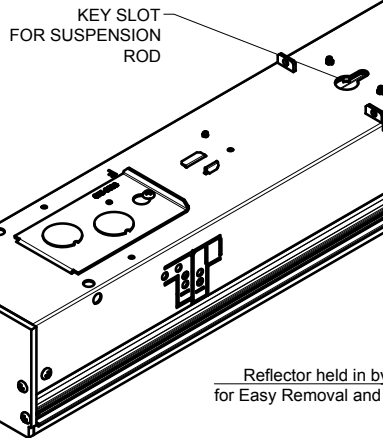
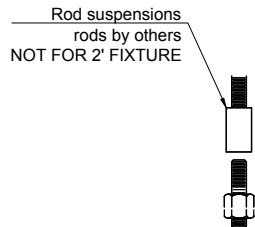
**B. ONCE OVER GRID ANCHOR FIXTURE BY BENDING THE TABS ONTO THE GRID TO LOCK IT.**



**C. TIE DOWN FIXTURE TO DECK WITH HOLES PROVIDED ON TOP SIDED OF FIXTURE OR ON TOP BRACKET.**



**D. SUSPENSION ROD (BY OTHERS) CAN BE INSTALLED THROUGH KEY SLOT OPENING ON TOP OF FIXTURE. DROP LENS AND REFLECTOR AS SHOWN.**

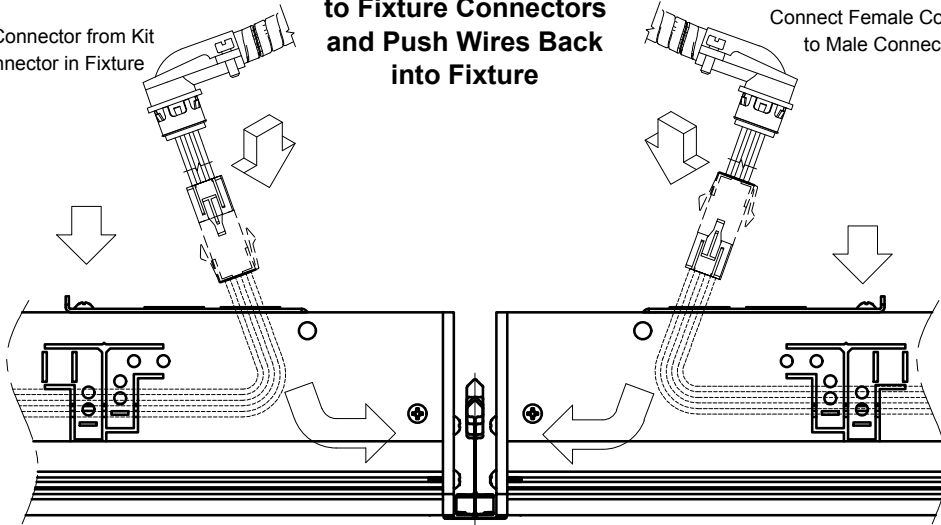


**3. CONNECTING  
CONTINUOUS POWER TO  
FIXTURES**

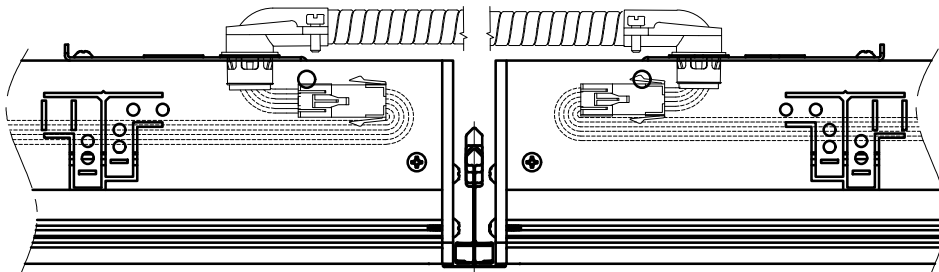
**A. Connect Kit Connectors  
to Fixture Connectors  
and Push Wires Back  
into Fixture**

Connect Male Connector from Kit  
to Female Connector in Fixture

Connect Female Connector from Kit  
to Male Connector in Fixture



**B. Push connectors into fixture as  
shown and secure 90° connectors.**

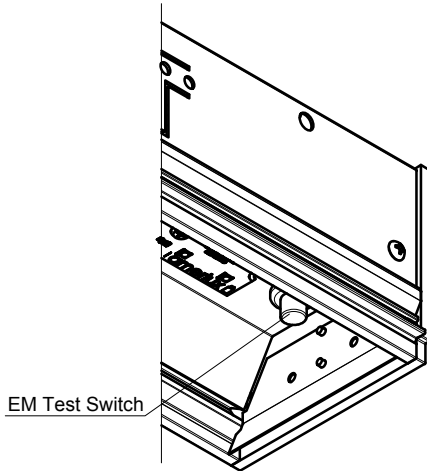
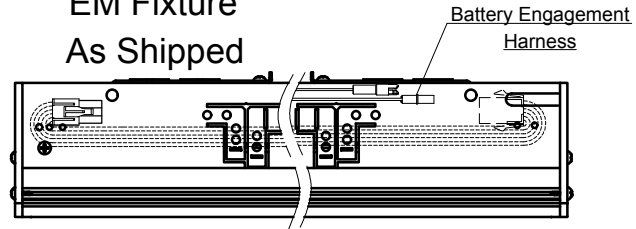


**FOR DETAILED INSTALL REFER TO  
INSTALL SHEET IN CONNECTOR KIT**

**Setup EM Fixture(s)**

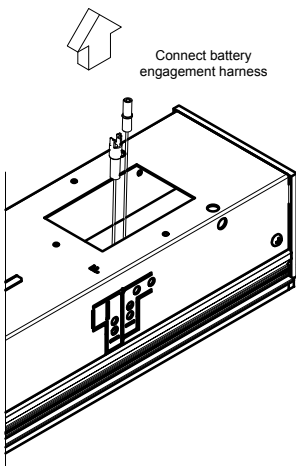
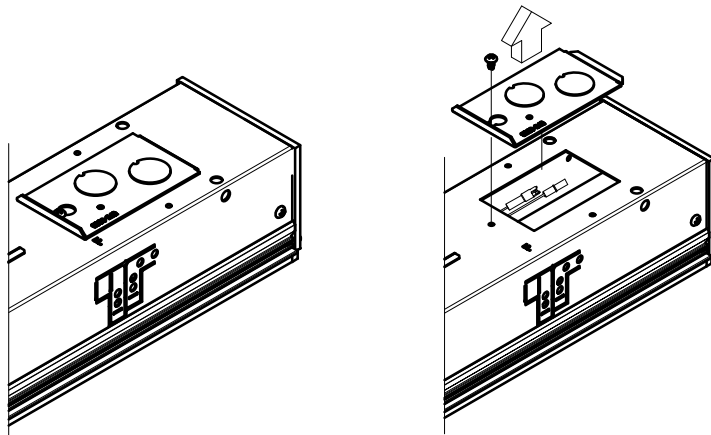
Only applies to models:  
QLR4.PL\_3\_HW.4'-0-10.EMB

**EM Fixture  
As Shipped**

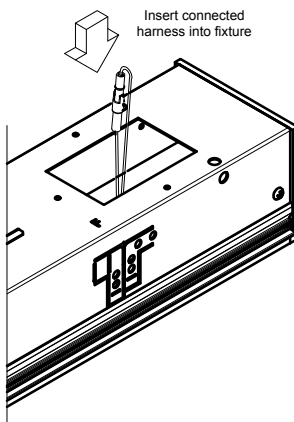


**BOTTOM VIEW FEMALE SIDE**

**TOP VIEW FEMALE SIDE**



Once battery engagement harness is connected, if power is cut to unswitched line, fixture WILL light up until battery is drained.



**FINISHING FIXTURE**  
CHOOSE POWER FEED LOCATION

**If fixture is MoR or EoR:**  
Connect Power to previous fixture once fixture is installed.

Turn on "unswitched" power to charge EM Battery  
(Orange lead from power drop MUST be connected to unswitched hot)

For EM Pack safety information and instructions, see literature for Bodine BSL10LST

Continue Hanging / Joining fixtures to complete Run if necessary, otherwise install End Cap to finish fixture