

Quick-Line

4" Recessed Linear
FLANGED



Features

Quick-Line Recessed 4" (QLR4) delivers your design scenario seamlessly, shipping in as little as 5 business days, everytime. Streamlined and flexible, these architectural 4" recessed linear fixtures provide the freedom to create truly dynamic spaces in a fraction of the time. The **Quick-Line** family delivers on its promises by the power of disciplined design.

Product Overview

Type: Recessed Lens Direct
Power Level: Low Power 4W/ft
High Power 7W/ft
Max Lumen Output: 3431 Lm; 122.8 Lm/W (7W profile @ 3500K)
Color Temp: 3000K, 3500K, 4000K
CRI: 83 typ.
Lens: Performance Lens - provides high efficiency with controlled lens surface brightness
Dimming: 0-10V, 1% dimming
Mounting: Gypsum Board

PROJECT:

TYPE:

PRODUCT DISCONTINUED
Replacement Product: Carisma 3" Recessed

Fixture Summary (see following pages for more information)

Power Level

	Watts Per Foot	Delivered Lumens	Lumens Per Foot
Low	4	2007	502
High	7	3431	858

Lumen Output based on 4', 3500K-83 fixture.

Individual Run Sections: 4' and 8'

Please use a combination of these standard lengths to create your desired run lengths.

Electrical Data

Wattage Per Foot	Volts	4'		8'	
		System Watts	Amps	System Watts	Amps
LOW 4W	120V	16	0.13	31.3	0.26
	277V	18	0.07	32.6	0.12
HIGH 7W	120V	27.6	0.23	55.8	0.46
	277V	29.1	0.11	55	0.20

Electronic multi-volt (120-277VAC), constant current LED driver



PROJECT:

TYPE:

All fixtures come standard with the following:

- Performance Lens • High Reflectance White Finish • 1 Circuit (6 Conductor) • 120/277V • 0-10V, 1% Dimming

STEP 1 Choose Fixture: Select Power Level, Color Temp & Length

Power Level	Color Temp-CRI	Length	Ordering Part #	
Low Power (L) (4 W/ft; 502 Lm/ft)	30 (3000K-83)	4'	QLR4-FLG-001	4' Flanged - 4W/ft, 3000K 83CRI
		4' EMB	QLR4-FLG-002	4' Flanged - 4W/ft, 3000K 83CRI, Em Bat
		8'	QLR4-FLG-003	8' Flanged - 4W/ft, 3000K 83CRI
	35 (3500K-83)	4'	QLR4-FLG-004	4' Flanged - 4W/ft, 3500K 83CRI
		4' EMB	QLR4-FLG-005	4' Flanged - 4W/ft, 3500K 83CRI, Em Bat
		8'	QLR4-FLG-006	8' Flanged - 4W/ft, 3500K 83CRI
	40 (4000K-83)	4'	QLR4-FLG-007	4' Flanged - 4W/ft, 4000K 83CRI
		4' EMB	QLR4-FLG-008	4' Flanged - 4W/ft, 4000K 83CRI, Em Bat
		8'	QLR4-FLG-009	8' Flanged - 4W/ft, 4000K 83CRI
High Power (H) (7W/ft; 858 Lm/ft)	30 (3000K-83)	4'	QLR4-FLG-010	4' Flanged - 7W/ft, 3000K 83CRI
		4' EMB	QLR4-FLG-011	4' Flanged - 7W/ft, 3000K 83CRI, Em Bat
		8'	QLR4-FLG-012	8' Flanged - 7W/ft, 3000K 83CRI
	35 (3500K-83)	4'	QLR4-FLG-013	4' Flanged - 7W/ft, 3500K 83CRI
		4' EMB	QLR4-FLG-014	4' Flanged - 7W/ft, 3500K 83CRI, Em Bat
		8'	QLR4-FLG-015	8' Flanged - 7W/ft, 3500K 83CRI
	40 (4000K-83)	4'	QLR4-FLG-016	4' Flanged - 7W/ft, 4000K 83CRI
		4' EMB	QLR4-FLG-017	4' Flanged - 7W/ft, 4000K 83CRI, Em Bat
		8'	QLR4-FLG-018	8' Flanged - 7W/ft, 4000K 83CRI

STEP 2 Select Kit(s): 1 Female or Male Feed Kit is required to complete Individual fixture or Run (see page 4)

Kit	Description	Ordering Part #
Feed Kits:		
Female Feed Kit (optional)	1 circuit (6 conductor) 6' power feed with female quick-connector, 3/8 90° connector, 3/8 flexible metal conduit, 3/8 straight connector, with 6" leads.	QLR4-FF1
Male Feed Kit (optional)	1 circuit (6 conductor) 6' power feed with male quick-connector, 3/8 90° connector, 3/8 flexible metal conduit, 3/8 straight connector, with 6" leads.	QLR4-MF1
Enc Cap Kit	Consists of (2) End Caps and (4) #6 x 3/8" screws. End Cap contains formed light block flap to shield view of bare LED between lens and End Cap. One kit is required for each run or individual fixture.	QLR4-FLG-EC

Quick-Line

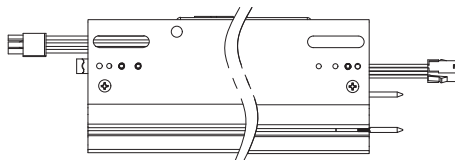
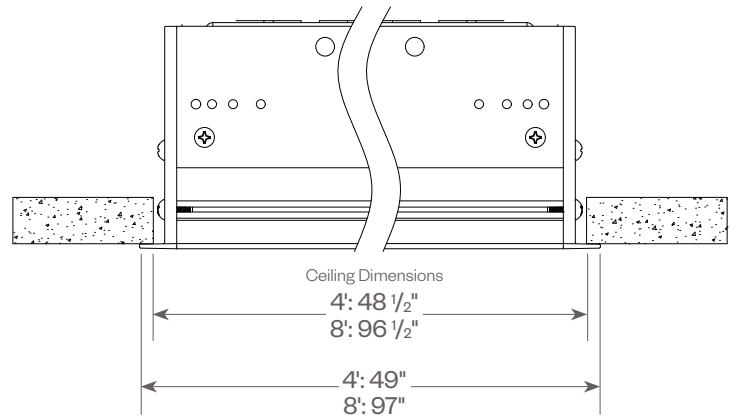
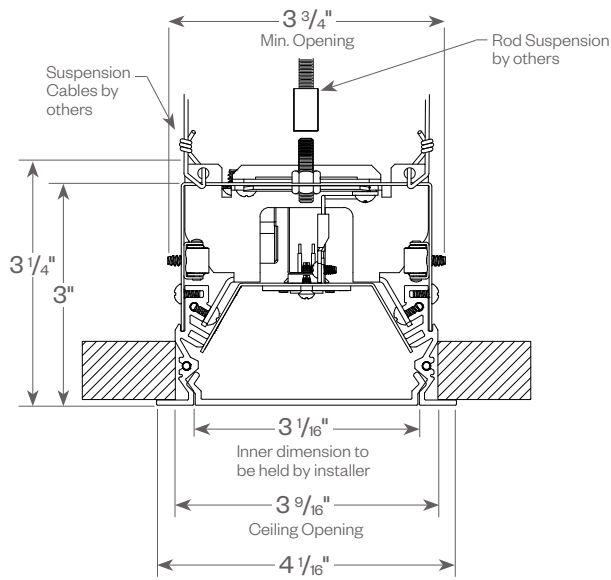
4" Recessed Linear Flanged



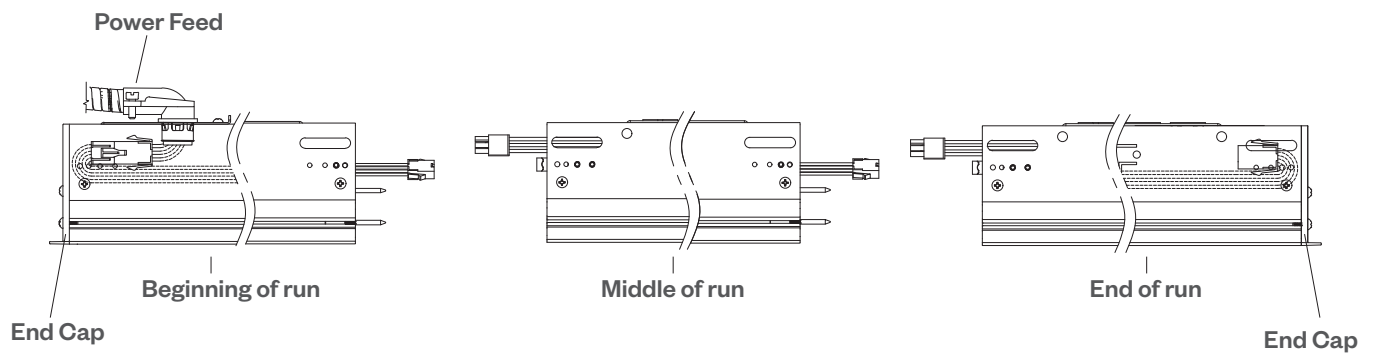
PROJECT:

TYPE:

QLR4-FLG



Fixture As Shipped



Quick-Line

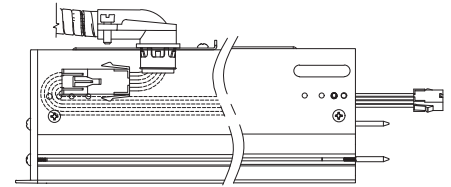
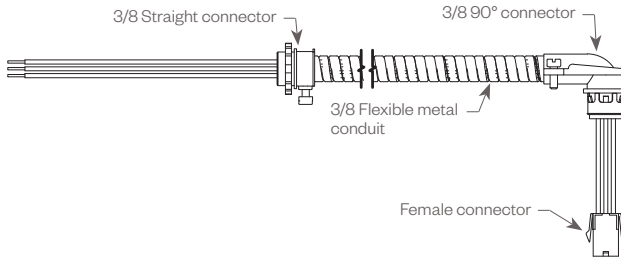
4" Recessed Linear Flanged



PROJECT:

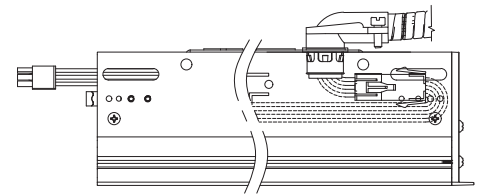
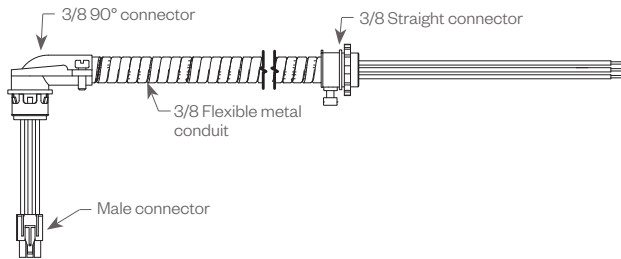
TYPE:

QLR4-FF1 Kit (Female Power Feed):



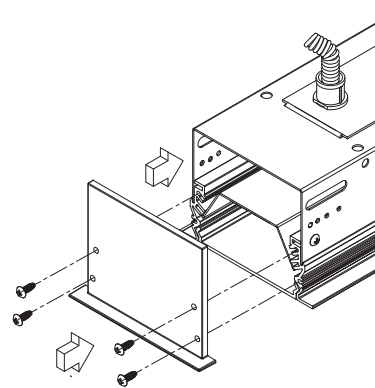
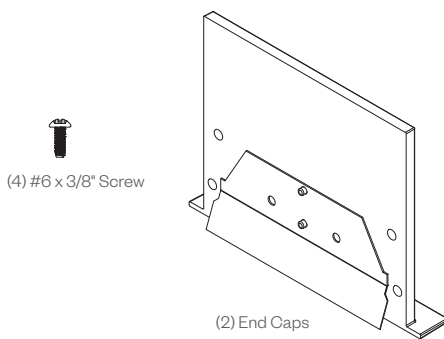
BoR w/Female Feed

QLR4-MF1 Kit (Male Power Feed):

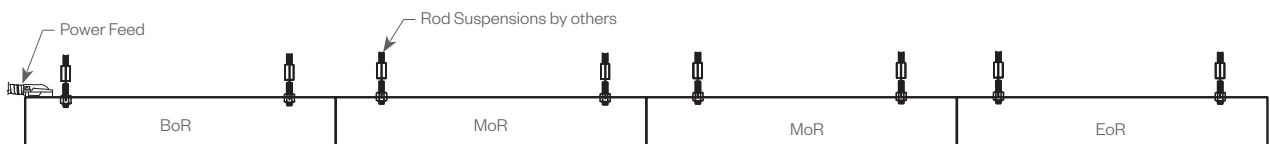


EoR w/Male Feed

QLR4-FLG-EC Kit (End Cap):



Note: Install Power Feed before End Cap



Quick-Line

4" Recessed Linear Flanged



PROJECT:

TYPE:

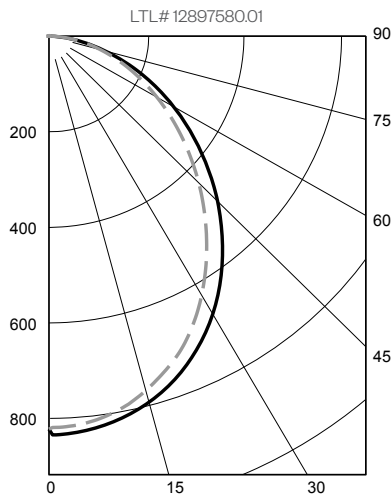
FIXTURE DATA: (Complete photometric data (.ies format) available upon request)

MULTIPLYING FACTORS: (Multiplying Factor is based on 3500K-83 120V IES file on website)

CCT:	3000K-83	3500K-83	4000K-83
Factor:	0.93	1.0	1.04

QLR4 PERFORMANCE LENS 4W 3500K 4FT

Total Watts: 16 (LOW POWER)
Total Lumens: 2007
Source: 114 White LED's



ZONAL LUMEN SUMMARY

Zone	Lumens	%Fixt
0-40	983	49.0
0-60	1635	81.5
0-90	2007	100.0
90-180	0	0

Efficacy = 125.9 Lumens / Watt

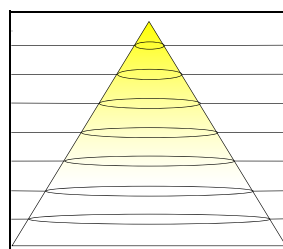
COEFFICIENTS OF UTILIZATION

Effective Floor Cavity Reflectance 20%

RC	80			
RW	70	50	30	10
RCR				
0	119	119	119	119
1	109	105	100	97
2	100	92	85	80
3	91	81	73	67
4	84	72	64	57
5	77	65	56	50
6	72	59	50	44
7	66	53	45	39
8	62	49	40	35
9	58	45	37	31
10	54	42	34	29

Values are expressed as % of total lumen output delivered to the task surface.

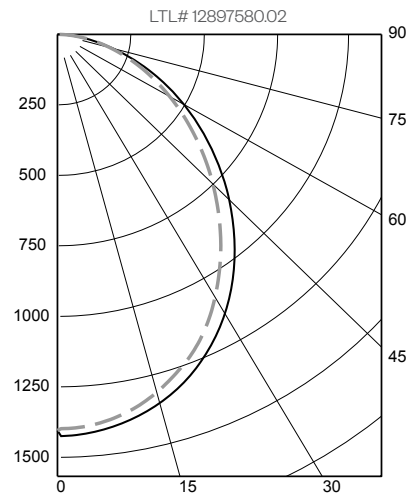
CONE OF LIGHT TABULATION



Mounting Height	Footcandles @ Nadir	Diameter (feet)
4'	51.4	4.69
6'	22.8	7.04
8'	12.8	9.39
10'	8.22	11.7
12'	5.71	14.1
14'	4.20	16.4
16'	3.21	18.8

QLR4 PERFORMANCE LENS 7W 3500K 4FT

Total Watts: 28 (HIGH POWER)
Total Lumens: 3431
Source: 114 White LED's



ZONAL LUMEN SUMMARY

Zone	Lumens	%Fixt
0-40	1680	49.0
0-60	2794	81.4
0-90	3431	100.0
90-180	0	0

Efficacy = 122.8 Lumens / Watt

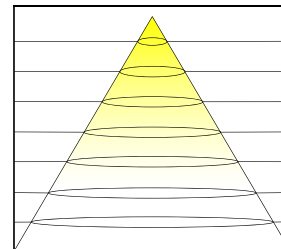
COEFFICIENTS OF UTILIZATION

Effective Floor Cavity Reflectance 20%

RC	80			
RW	70	50	30	10
RCR				
0	119	119	119	119
1	109	105	100	97
2	100	92	85	80
3	91	81	73	67
4	84	72	64	57
5	77	65	56	50
6	72	59	50	44
7	66	53	45	39
8	62	49	40	35
9	58	45	37	31
10	54	41	34	29

Values are expressed as % of total lumen output delivered to the task surface.

CONE OF LIGHT TABULATION



Mounting Height	Footcandles @ Nadir	Diameter (feet)
4'	87.8	4.70
6'	39.0	7.04
8'	21.9	9.39
10'	14.0	11.7
12'	9.76	14.1
14'	7.17	16.4
16'	5.49	18.8

Quick-Line

4" Recessed Linear Flanged



PROJECT:

TYPE:

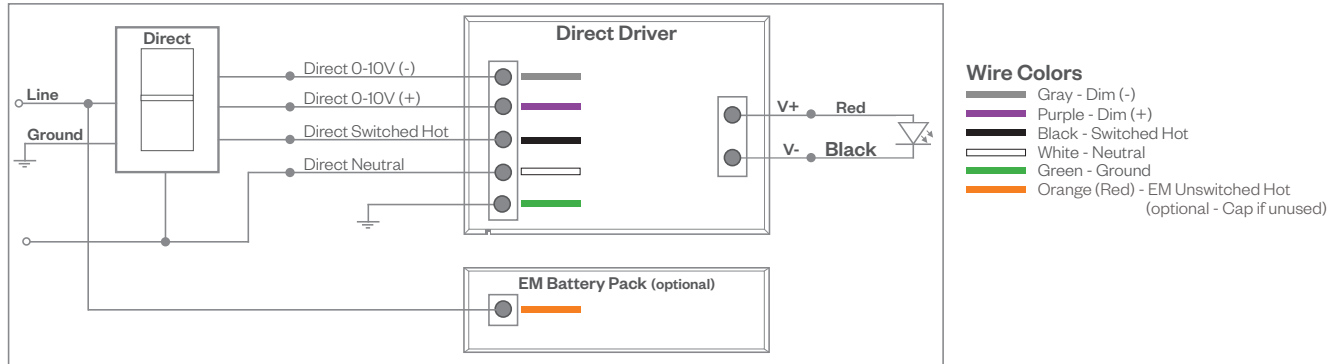
DIMMING COMPATIBILITY:

Amerlux® Quick-Line fixtures are compatible with 0-10V Dimming. Please see below for general compatibilities and wiring diagrams. Amerlux recommends testing your unique dimming configuration as the exact full configuration (Dimmer, Fixture Quantity, Voltage, etc) may affect dimming performance.

0-10V - DIMMING (Standard)

Integrates into a variety of building management and daylighting controls

0-10V Wiring Diagram



Notes:

- 120VAC or 277VAC*
- Dims down to 1% light output
- Requires interface to turn off power to driver
- Consult Dimming manufacturer for installation instructions - **Do Not Share Neutrals**

Compatible Dimmers†:

Wall Box

Lutron:	Wattstopper:	Leviton:
Diva - DVSTV	ADF-120277	Renoir II
Maestro - MS-Z101		
Nova-T - NTSTV-DV		

Center System

Lutron Grafikx Eye with GRX-TV1 Interface

Notes:

- * Driver is 277VAC dimmable with appropriate dimmer (by others). All provided wiring diagrams show 120VAC wiring colors and method. Please refer to 277VAC dimmer installation instructions for 277VAC wiring diagrams.
- † The absence of a dimmer from the lists above does not imply incompatibility. Please consult factory for compatibility inquiries.