



**AMERLUX**<sup>®</sup>  
LIGHTING SOLUTIONS

ADAPT. ABILITY.™

INSTALLATION INSTRUCTIONS  
SHEET #: 689-0799

SPEC. SHEET  
REFERENCE:  
QLRK-FF1

**QLRK-FF1**

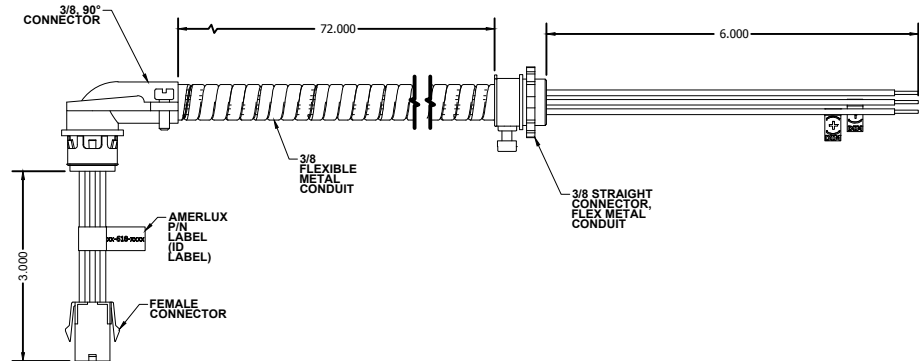
QLR4 Female Plug, Feed Kit

**WARNING - RISK OF FIRE AND ELECTRICAL SHOCK. FIXTURE MUST BE INSTALLED BY A QUALIFIED ELECTRICIAN ONLY. FIXTURE IS INTENDED FOR INSTALLATION IN ACCORDANCE WITH THE NATIONAL ELECTRICAL CODE, LOCAL AND FEDERAL SPECIFICATIONS. DISCONNECT POWER AT ELECTRICAL PANEL BEFORE SERVICING.**

**FOR RUNS WIRED FOR EM - UNIT HAS MORE THAN ONE POWER SUPPLY CONNECTION POINT. TO REDUCE THE RISK OF ELECTRIC SHOCK, DISCONNECT BOTH THE BRANCH CIRCUIT-BREAKERS OR FUSES AND EMERGENCY/BACKUP POWER SUPPLIES BEFORE SERVICING**

**RETAIN THESE INSTRUCTIONS FOR MAINTENANCE REFERENCE.**

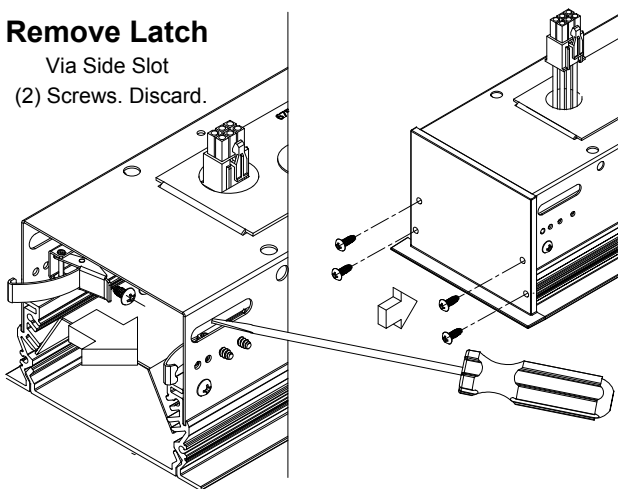
**QLR4-FF1 Contents**



**For Flange Beginning of Run (BoR) and Individual (IND)**

**Remove Latch**

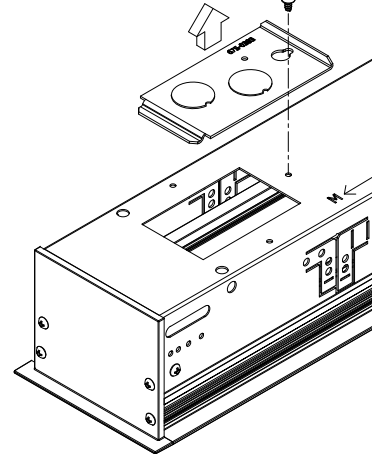
Via Side Slot  
(2) Screws. Discard.



Remove Latch with Screwdriver and add endcap.  
Detailed Instructions on 689-0796 (Provided in  
QLR4-FLG-EC)

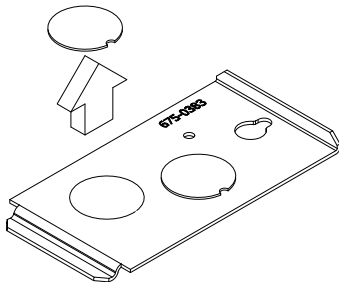
**1: Remove Cover Plate**

B. Remove #6-20 x 1/4 screw\*  
to Remove Cover Plate

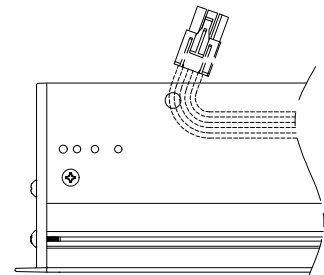
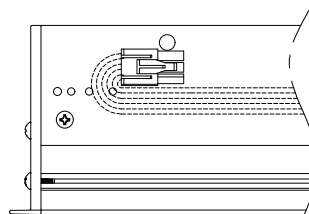


A. Locate Side  
marked  
with M for Male

**2: Remove One Knock Out**

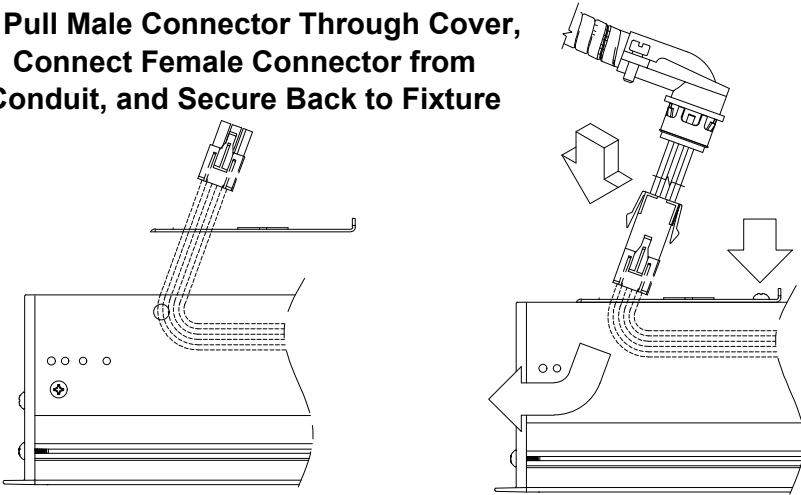


**3: Pull Male Connector  
From Opening**

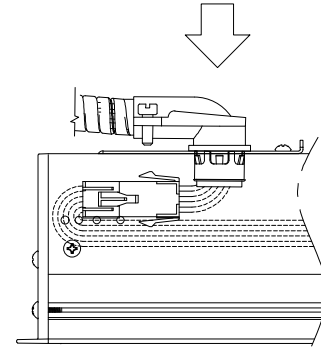




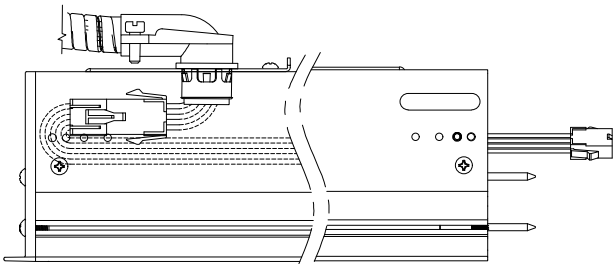
**3: Pull Male Connector Through Cover, Connect Female Connector from Conduit, and Secure Back to Fixture**



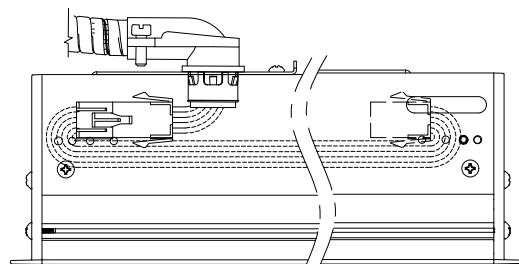
**4: Push connectors into fixture as shown and secure 90° connector.**



**Flange Beginning of Run (BoR)**

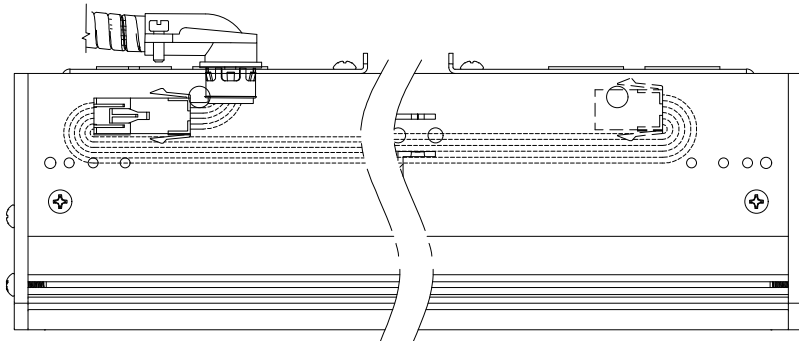


**Flange Individual (IND)**



**For Grid Individual (IND)**

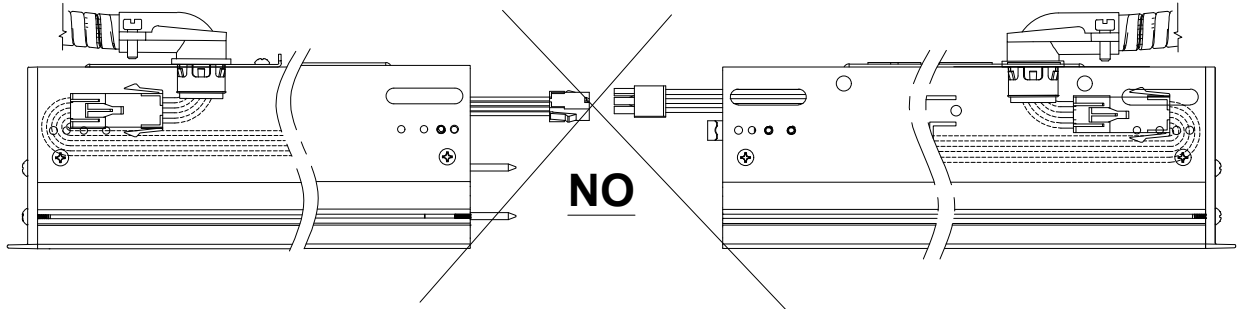
**1: Follow steps 1 through 4 of Flange Instructions.**



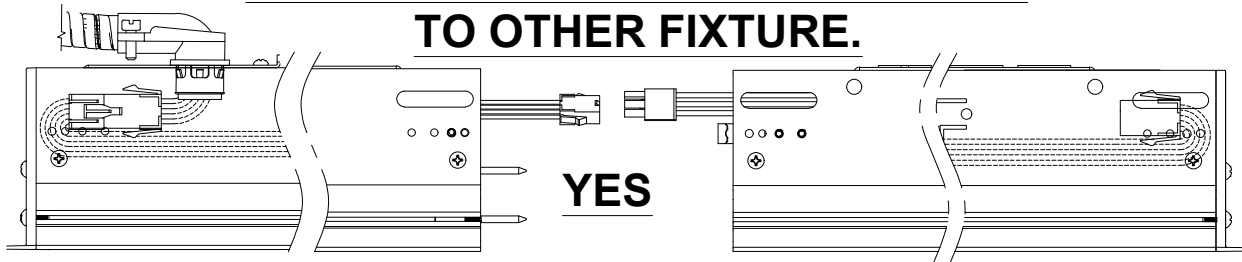
**DO NOT FEED A CONTINUOUS RUN IN (2) OR MORE LOCATIONS.**



**DO NOT MAKE A CONTINUOUS RUN  
WHEN FIXTURES ARE POWERED AT  
BOTH ENDS**



**FEED ON ONE SIDE AND CONTINUE  
TO OTHER FIXTURE.**



**Wiring Schematic**

**Wire Colors**

Black - Switched Hot	Gray - Dim (-)
White - Neutral	Purple - Dim (+)
Green - Ground	Orange (Red) - EM Unswitched Hot
	<i>Optional - Cap if Unused</i>

**Dimmer: 0-10V**  
(By Others)

