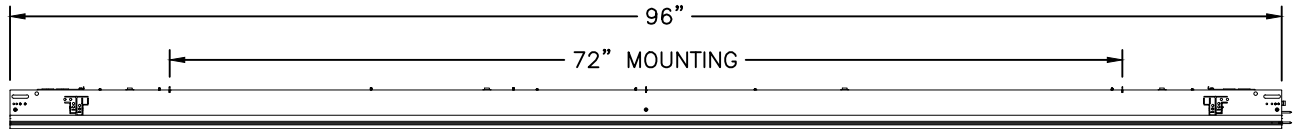
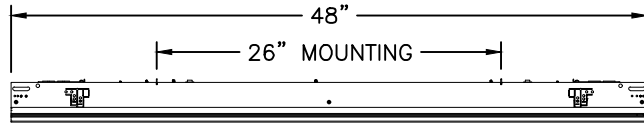


WARNING - RISK OF FIRE AND ELECTRICAL SHOCK. FIXTURE MUST BE INSTALLED BY A QUALIFIED ELECTRICIAN ONLY. FIXTURE IS INTENDED FOR INSTALLATION IN ACCORDANCE WITH THE NATIONAL ELECTRICAL CODE, LOCAL AND FEDERAL SPECIFICATIONS. DISCONNECT POWER AT ELECTRICAL PANEL BEFORE SERVICING. RETAIN THESE INSTRUCTIONS FOR MAINTENANCE REFERENCE.

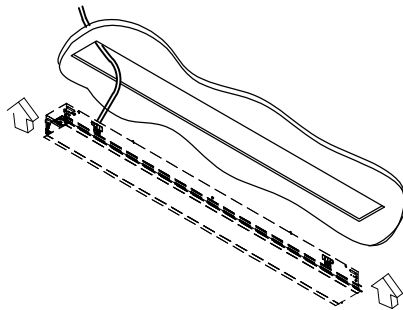
**QLR4 FLG
RUN LENGTHS**



Pre-installation Note:

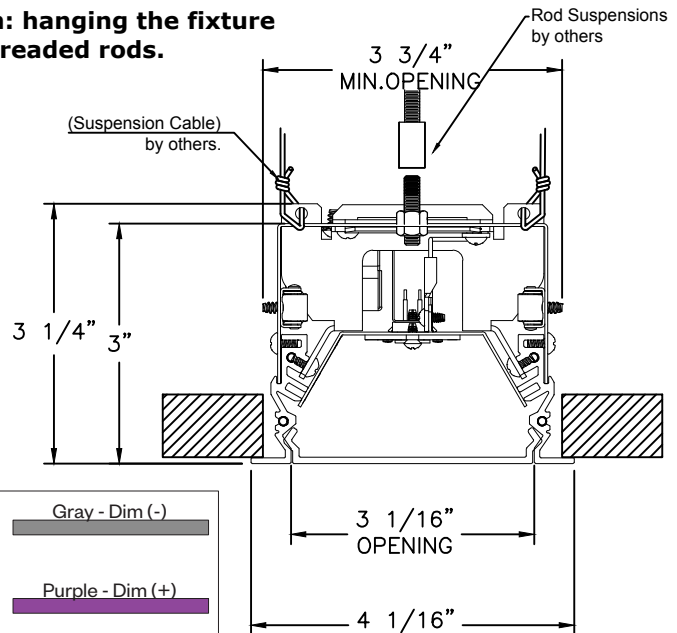
- Products Required: -Fixture -End Cap Kit (QLR4-FLG-EC)
 -Female Feed Kit (QLR4-FF1)
 (Optional) -Male Feed Kit(s) (QLR4-MF1) For Runs with more than (1) Feed

FIXTURES TO BE INSTALLED PER NEC "MEANS OF SUPPORT AND ALL FEDERAL, NATIONAL AND LOCAL BUILDING CODES.



1. FIXTURE TO BE INSTALLED BEFORE CEILING.
2. E.C. TO SECURE FIXTURE PER NEC CODE, VIA THREADED RODS, WIRE TIES OR OTHER MEANS (HARDWARE SUPPLIED BY E.C.).
3. TURN POWER OFF AT ELECTRICAL PANEL. USE ACCESS PLATE KNOCK OUTS AS REQUIRED, MAKE ELECTRICAL CONNECTIONS.
4. E.C. TO NOTE ORIENTATION OF FIXTURE FOR CONTINUOUS RUNS. MALE TO FEMALE MARKED BY M AND F ON TOP OF THE FIXTURE HOUSING BY THE ACCESS PLATES

Shown: hanging the fixture via threaded rods.



Black - Switched Hot	Gray - Dim (-)
White - Neutral	Purple - Dim (+)
Green - Ground	Orange (Red) - EMB Unswitched Hot
	Optional - Cap if unused

See wiring schematic provided with fixture for wire colors and their specific functions as different fixture options may use wires for different purposes.
DO NOT CONNECT CONTROL WIRES TO LINE VOLTAGE.
 Amerlux is not liable for damage due to miswiring.

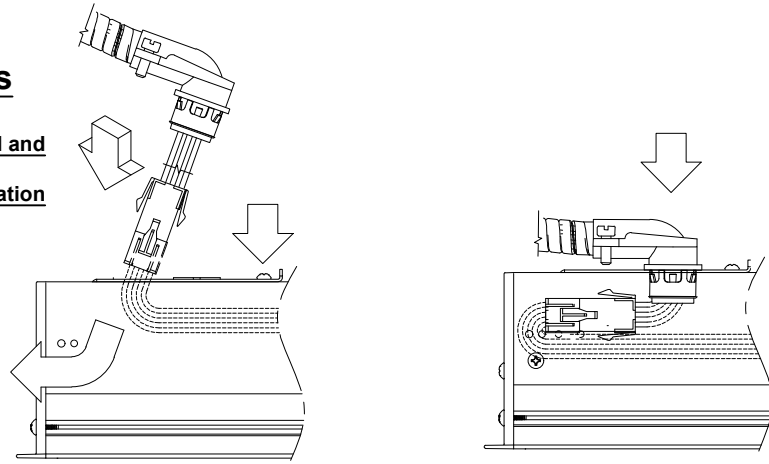
Contact factory with any questions.

Note: If a 4' EMB is in Run the Orange(Red) conductor must be wired to an unswitched Hot.

Contractor's responsibility to hold these dimensions before & after installation.

Connect Feed to appropriate Fixtures

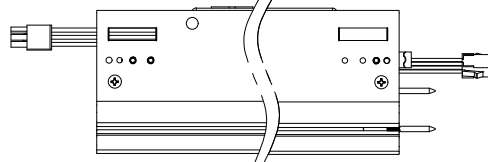
Identify which fixtures require a feed and connect the appropriate kit.
For detailed instructions, see installation sheet packed in Feed Kits



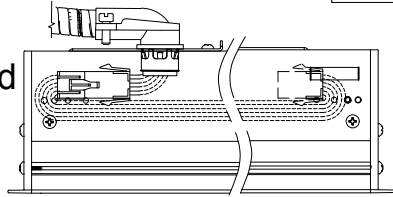
Prepare Fixtures

- IND: Individual
- BoR: Beginning of Run
- MoR: Middle of Run
- EoR: End of Run

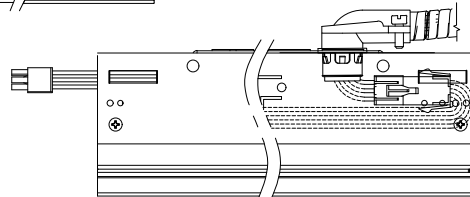
Fixture As Shipped



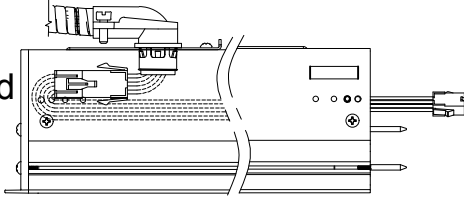
Converted to IND



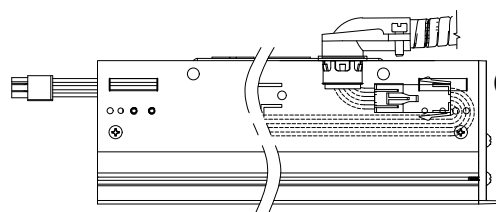
Converted to MoR with Feed



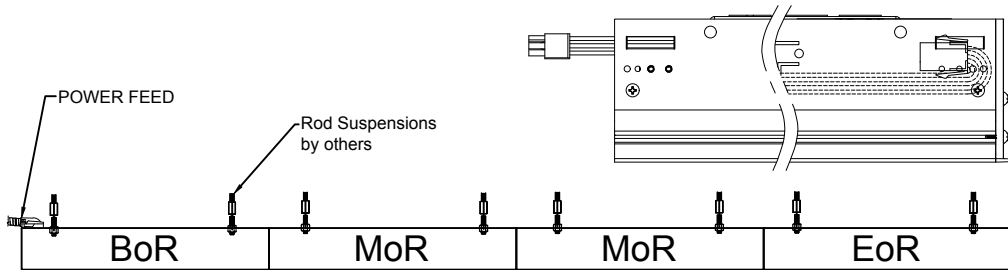
Converted to BoR



Converted to EoR with Feed

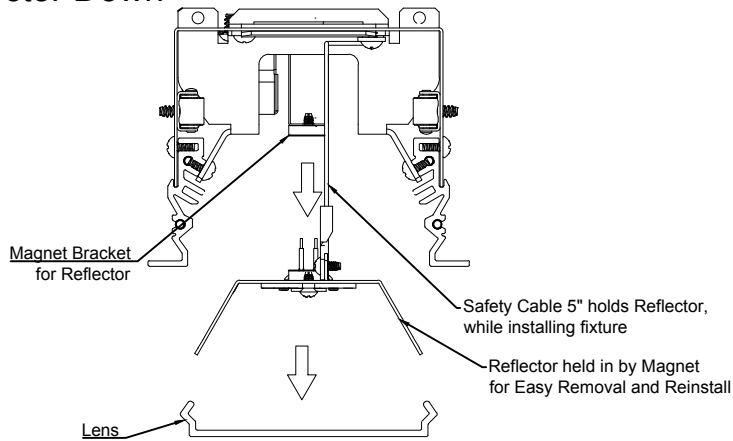


Converted to EoR

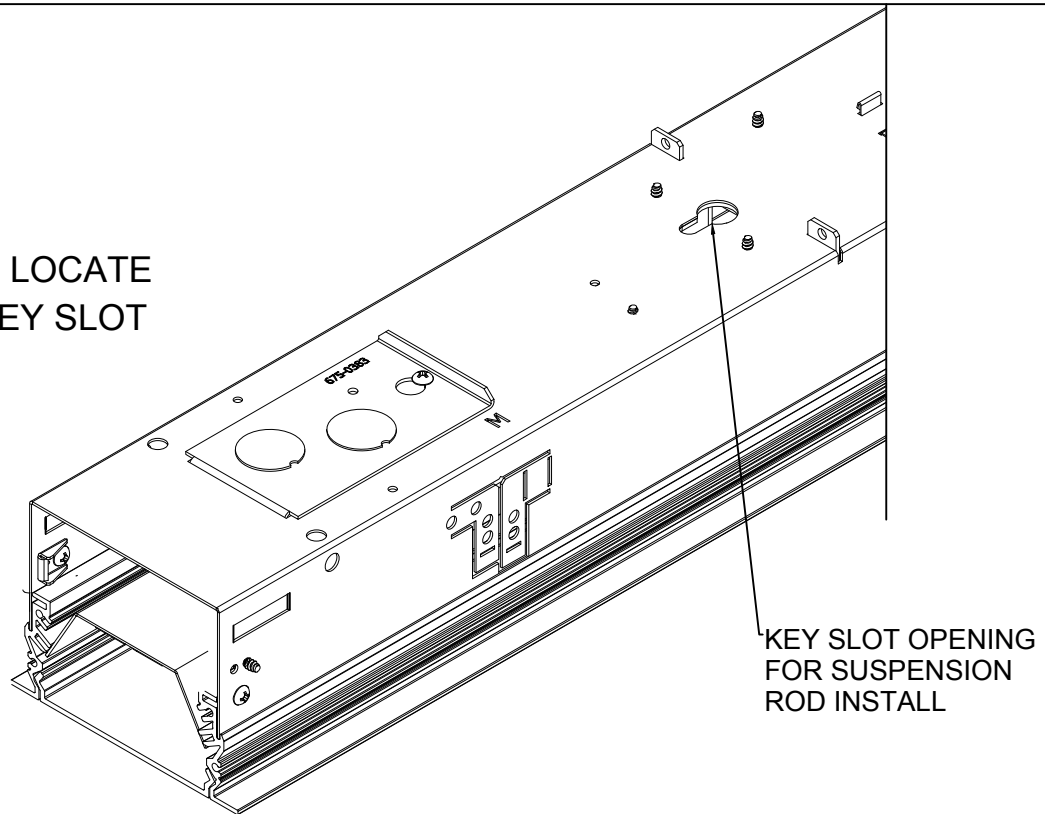


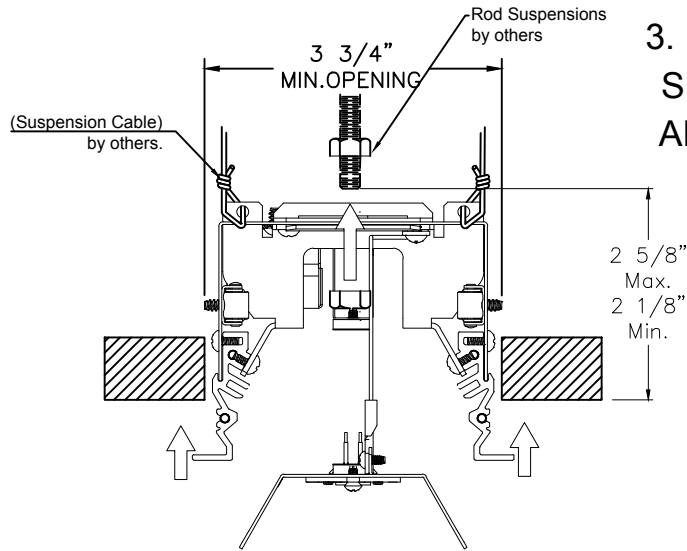
For detailed instructions of fixture conversion, see installation sheets packed in End Cap And Feed KITS

1. Remove
Lens and Drop
Reflector Down



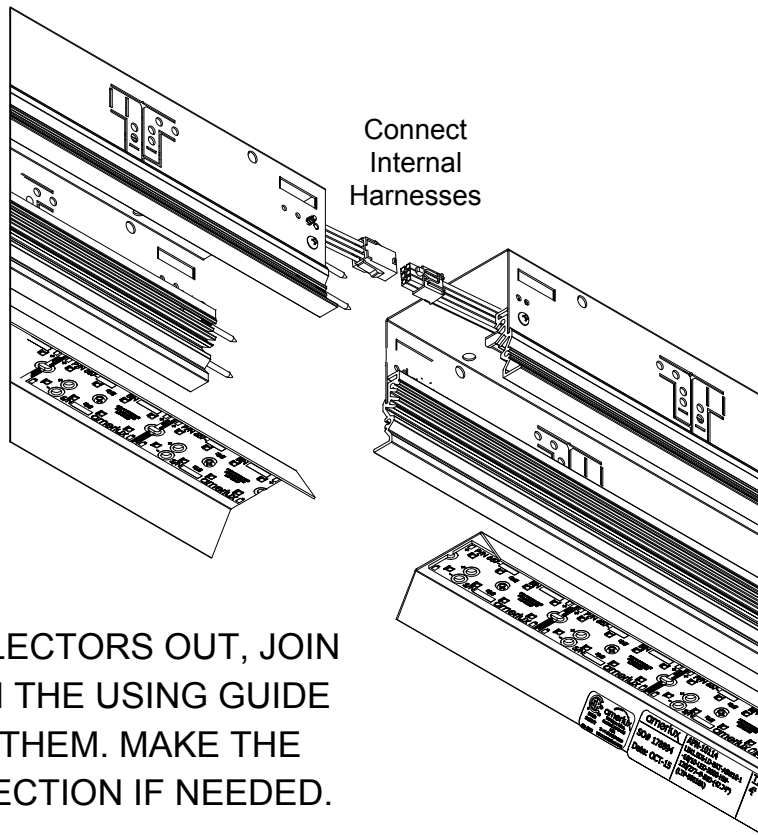
2. LOCATE
KEY SLOT





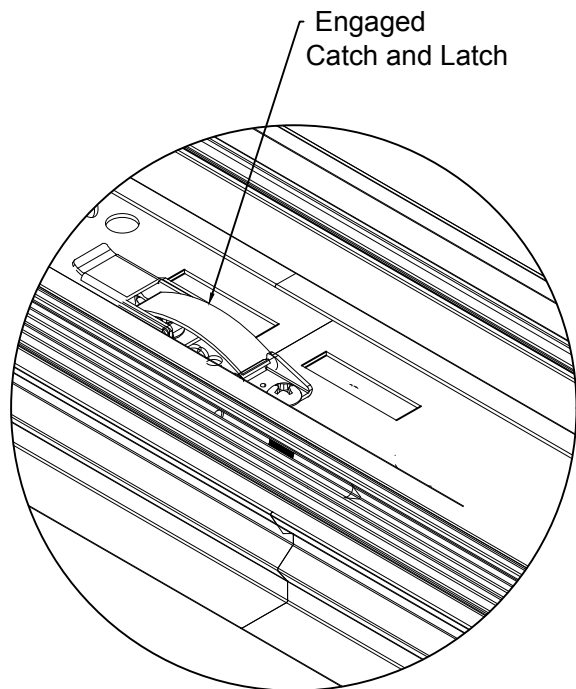
3. PUT FIXTURE IN TO OPENING AND SECURE WITH SUSPENSION RODS AND CABLES. REFLECTOR WILL BE HANGING ON SAFETY CABLE

FOR CONTINUOUS ROWS INSTALL BOR-BEGINNING OF ROW, MOR-MIDDLE OF ROW, AND EOR-END OF ROW FIXTURE SECTION PER PLAN.

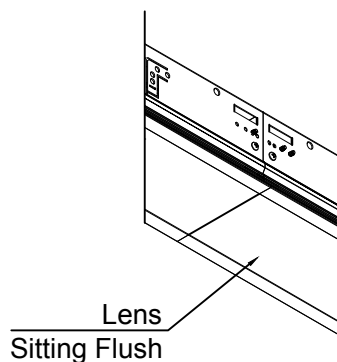
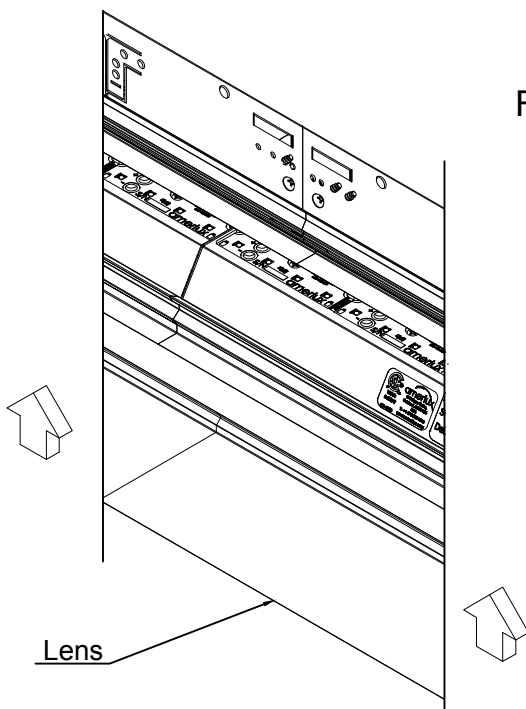


4. WITH THE REFLECTORS OUT, JOIN THE FIXTURES IN THE USING GUIDE PINS TO ALIGN THEM. MAKE THE INTERNAL CONNECTION IF NEEDED.

5. WITH FIXTURES JOINED ENGAGE THE LATCH WITHIN THE FIXTURE BEFORE PUSHING THE REFLECTOR BACK INTO THE FIXTURE.



6. PUSH REFLECTOR BACK INTO FIXTURE AND ENGAGE BOTH LENSES. LENSES MUST SIT FLUSH WITH FLANGE. ALWAYS CHECK THAT LENSES ARE SEATED SECURELY.

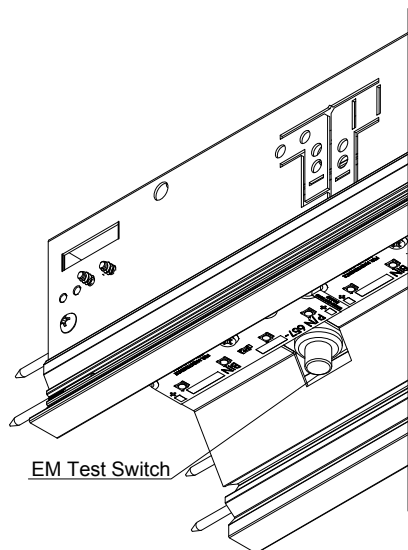
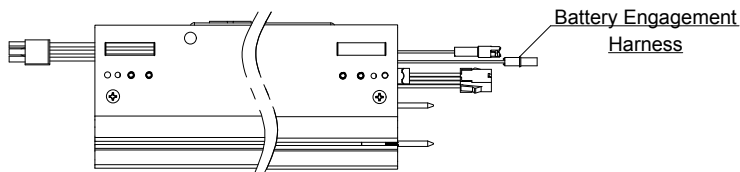


Setup EM Fixture(s)

Only applies to models:

QLR4.FLG.PL_3_HW.4:0-10.EMB

EM Fixture
As Shipped

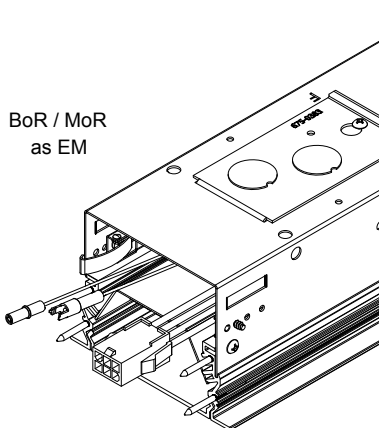


EM Test Switch

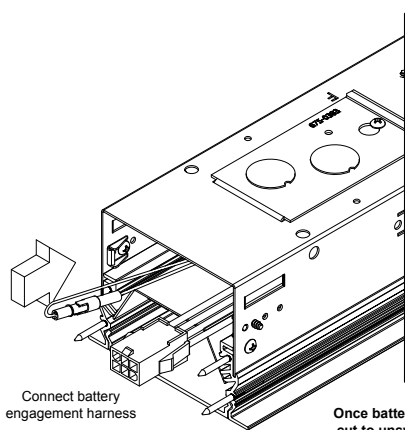
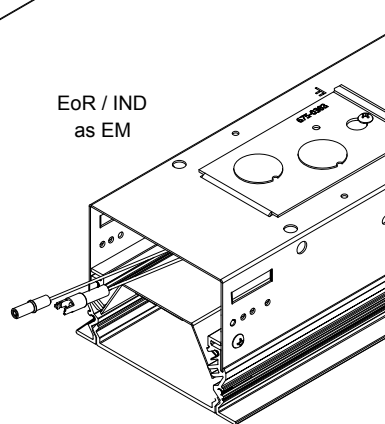
BOTTOM VIEW FEMALE SIDE

TOP VIEW FEMALE SIDE

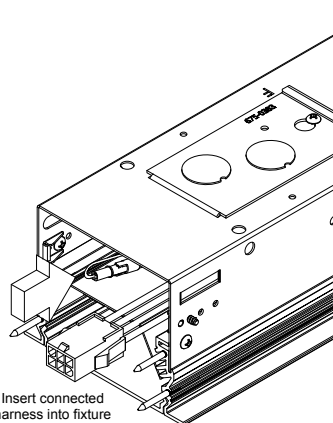
BoR / MoR
as EM



EoR / IND
as EM



Connect battery
engagement harness



Insert connected
harness into fixture

Once battery engagement harness is connected, if power is cut to unswitched line, fixture WILL light up until battery is drained.

Install Fixture

See pageS 3-5 for details

If fixture is MoR or EoR:

Connect Power to previous fixture
Join to previous fixture

Turn on "unswitched" power to charge EM Battery

(Orange lead from power drop MUST be connected to unswitched hot)

For EM Pack safety information and instructions,
see literature for Bodine BSL10LST

Continue Hanging / Joining fixtures to complete Run if necessary, otherwise install End Cap to finish fixture