



**AMERLUX**<sup>®</sup>  
LIGHTING SOLUTIONS

ADAPT. ABILITY.™

INSTALLATION INSTRUCTIONS  
SHEET #: 689-0796

SPEC. SHEET  
REFERENCE:  
QLR4-FLG-EC

## QLR4-FLG-EC

QLR4-FLG End Cap Kit Installation

**WARNING - RISK OF FIRE AND ELECTRICAL SHOCK. FIXTURE MUST BE INSTALLED BY A QUALIFIED ELECTRICIAN ONLY. FIXTURE IS INTENDED FOR INSTALLATION IN ACCORDANCE WITH THE NATIONAL ELECTRICAL CODE, LOCAL AND FEDERAL SPECIFICATIONS. DISCONNECT POWER AT ELECTRICAL PANEL BEFORE SERVICING.**

**RETAIN THESE INSTRUCTIONS FOR MAINTENANCE REFERENCE.**

### Pre-installation Note:

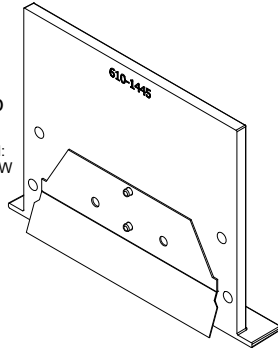
The actions outlined on this sheet are to be performed before fixture is installed, while still on the ground.

## QLR4-FLG-EC Contents

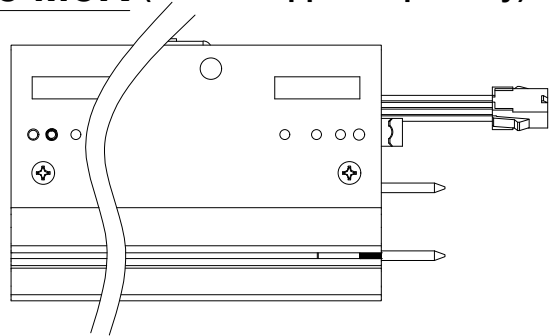


#6 x 3/8"  
Screw  
(x2)  
Amerlux P/N:  
622-3001

End Cap  
(x2)  
Amerlux P/N:  
610-1445G-HW



## Fixture MoR (Sold / Shipped Separately)

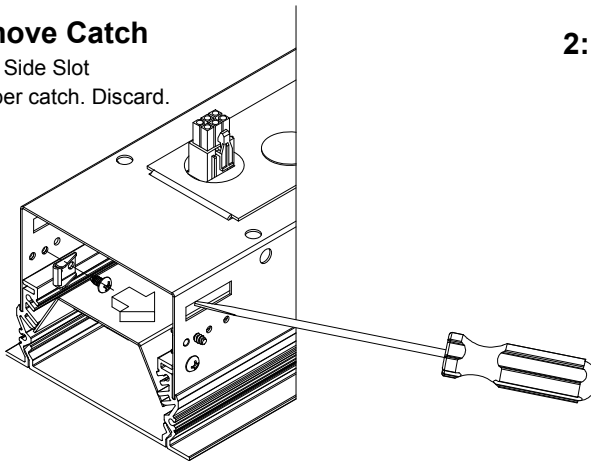


## Creating a Beginning of Run (BoR)

### 1: Remove Catch

Via Side Slot

(1) Screw per catch. Discard.

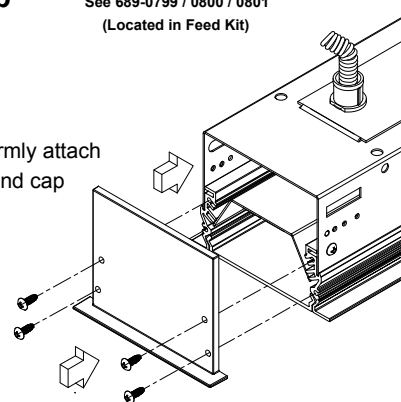


### 2: Install End Cap

**\*INSTALL POWER FEED  
BEFORE END CAP\***

See 689-0799 / 0800 / 0801  
(Located in Feed Kit)

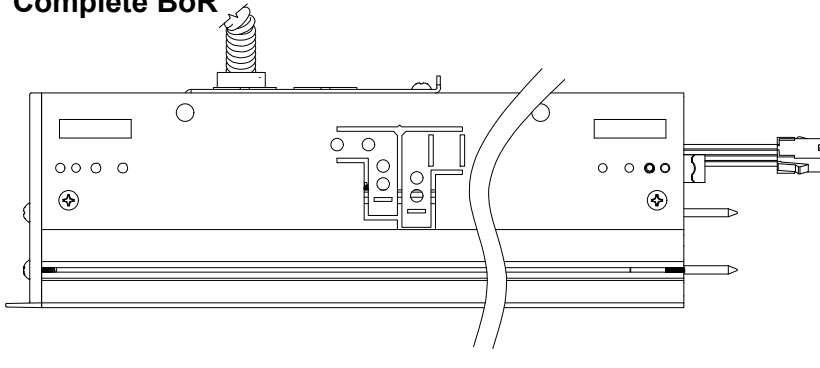
B. Firmly attach  
end cap



C. Secure end cap with provided

#6-32 x 3/8" screw\*

### Complete BoR



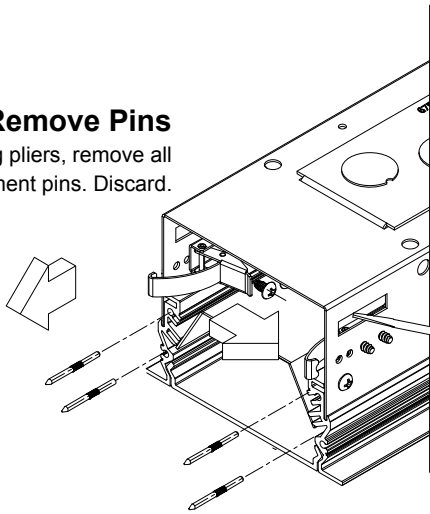
Amerlux, LLC. - 178 Bauer Drive, Oakland NJ 07436 - T: 973-882-5010 - F: 973-882-2605  
www.amerlux.com



## Creating an End of Run (EoR)

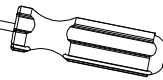
### 1: Remove Pins

Using pliers, remove all (4) alignment pins. Discard.



### 2: Remove Latch

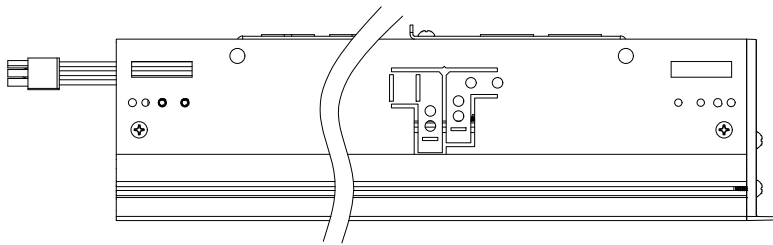
Via (2) Screws per latch. Discard.



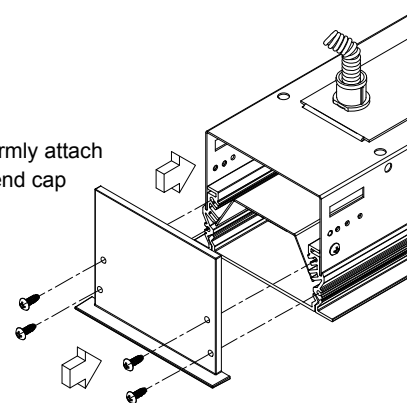
**\*IF POWER FEED IS NEEDED  
INSTALL POWER FEED  
BEFORE END CAP\***

See 689-0799 / 0800 / 0801  
(Located in Feed Kit)

### Complete EoR



B. Firmly attach end cap



C. Secure end cap with provided

#6-32 x 3/8" screw\*

**3: Install End Cap**

## Creating an Individual (IND)

To create an IND fixture, please follow  
ALL steps from BoR & EoR creation

### Complete IND

