



AMERLUX[®]
LIGHTING SOLUTIONS

ADAPT. ABILITY.™

INSTALLATION INSTRUCTIONS
SHEET #: 689-0736

SPEC. SHEET
REFERENCE:
QLK-FF110/120

QLK-FF110/120

QLP Female Plug, 1 Circuit Feed Kit (Black or White)

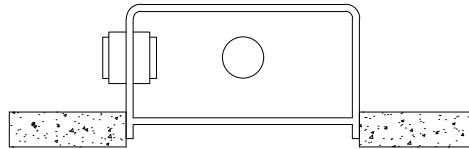
WARNING - RISK OF FIRE AND ELECTRICAL SHOCK. FIXTURE MUST BE INSTALLED BY A QUALIFIED ELECTRICIAN ONLY. FIXTURE IS INTENDED FOR INSTALLATION IN ACCORDANCE WITH THE NATIONAL ELECTRICAL CODE, LOCAL AND FEDERAL SPECIFICATIONS. DISCONNECT POWER AT ELECTRICAL PANEL BEFORE SERVICING.

FOR RUNS WIRED FOR EM - UNIT HAS MORE THAN ONE POWER SUPPLY CONNECTION POINT. TO REDUCE THE RISK OF ELECTRIC SHOCK, DISCONNECT BOTH THE BRANCH CIRCUIT-BREAKERS OR FUSES AND EMERGENCY/BACKUP POWER SUPPLIES BEFORE SERVICING

RETAIN THESE INSTRUCTIONS FOR MAINTENANCE REFERENCE.

Pre-installation Note:

Supplied by others: - 4" octagonal junction boxes w/ 2pc #8 Screws for mounting Crossbar



Install junction box - The junction box should be placed as shown to make sure that the canopy cover sits flush with the ceiling when install is finished.

Refer to Spec Sheet for proper location of mounting points/ locations for junction boxes.

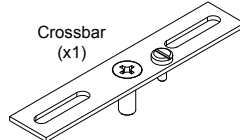
QLK-FF110/120 Contents



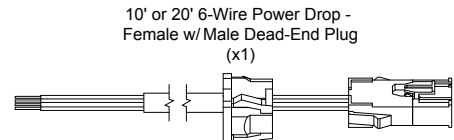
Coupler w/
Slip Ring
(x1)



Zip Ties
(x7)



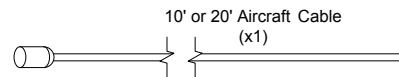
Crossbar
(x1)



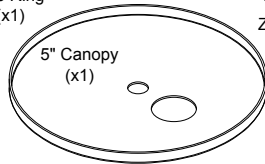
10' or 20' 6-Wire Power Drop -
Female w/ Male Dead-End Plug
(x1)



7/8" Strain
Relief
(x1)

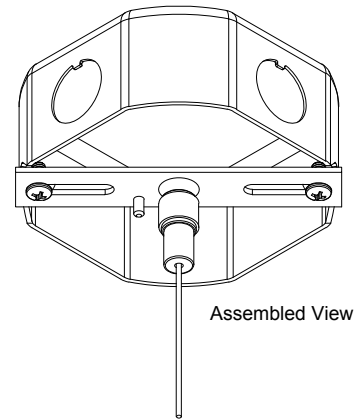
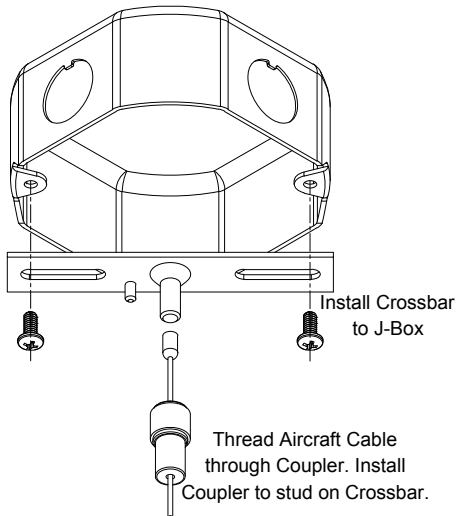


10' or 20' Aircraft Cable
(x1)



5" Canopy
(x1)

Prep J-Box @ Ceiling

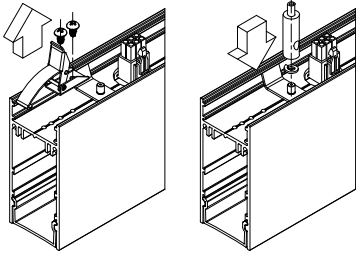


Assembled View

Amerlux, LLC. - 178 Bauer Drive, Oakland NJ 07436 - T: 973-882-5010 - F: 973-882-2605
www.amerlux.com



Feeding at Beginning of a Run (BoR / IND)

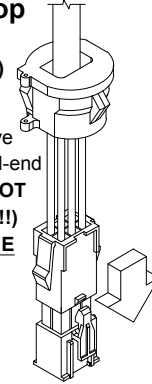


For QuickLine Only

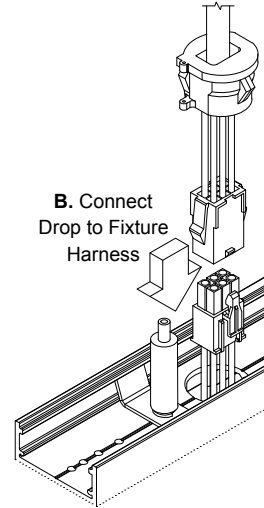
Remove Latch / Install Cable Gripper. Detailed Instructions in kit QLP-ECs

Install Power Drop (Do this **BEFORE** installing End Caps)

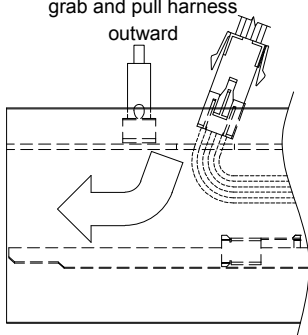
A. Remove
BLACK dead-end
plug (**DO NOT
DISCARD!!**)
See Step E
Below



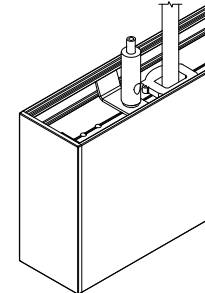
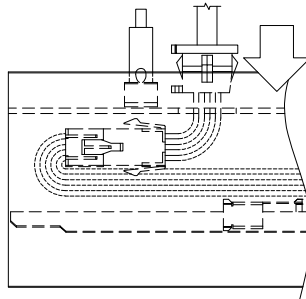
B. Connect
Drop to Fixture
Harness



C. Feed Harness in at angle
as shown. From open end,
grab and pull harness
outward



D. Insert Strain Relief and
snap into provided hole



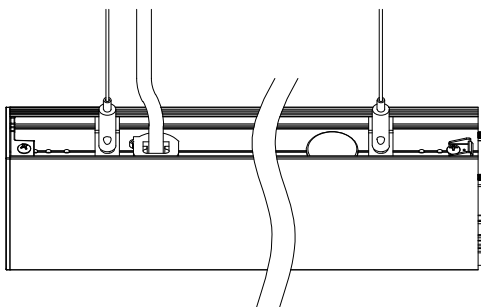
QuickLine Only

End Cap can be installed after
Feed Cord is installed
(See Instructions in kit QLP-ECs)

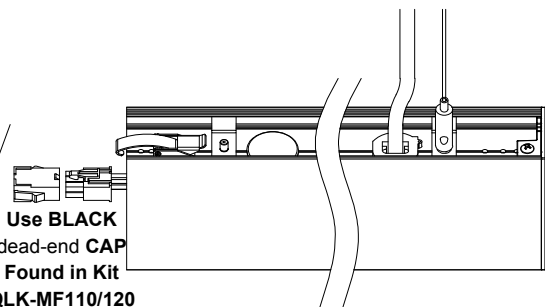
Failure to install feed at an angle as shown will result in LED reflector becoming disengaged.

For runs with (2) or More Feeds (OPTIONAL)

E. If run has (2) or more Power Feeds,
Dead-End power harnesses at appropriate
fixture breaks using provided **BLACK** Plugs / Caps



Use **BLACK**
dead-end **PLUG**
Found in Kit
QLK-FF110/120

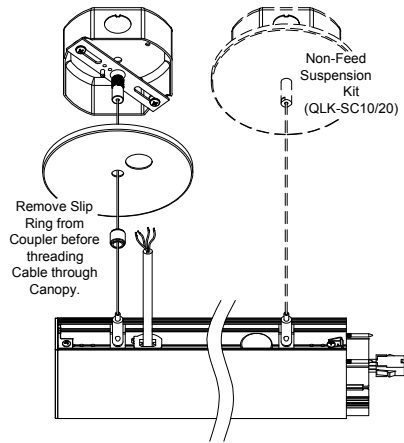


Use **BLACK**
dead-end **CAP**
Found in Kit
QLK-MF110/120

**DO NOT FEED A CONTINUOUS RUN IN
(2) OR MORE LOCATIONS.**

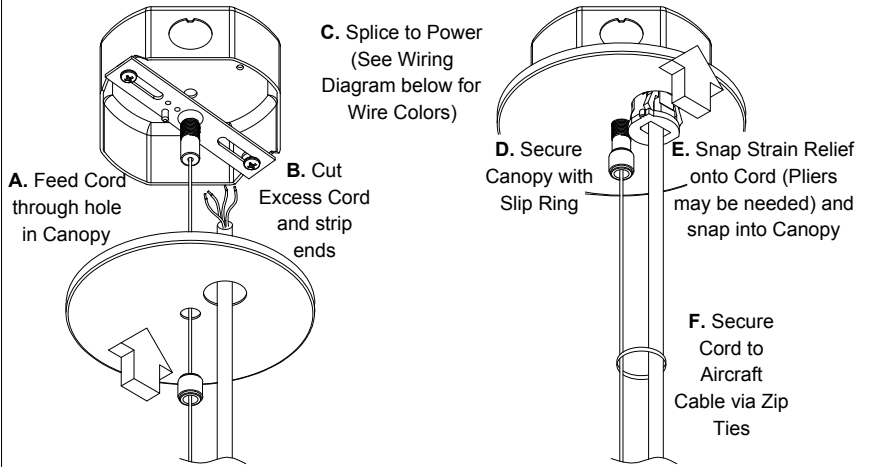
**CONTINUOUS RUN POWER MUST BE
BROKEN VIA DEAD-END CAPS/PLUGS**

Connecting Fixture/Run to Power @ J-Box



Hang Fixture Section
See Detailed Instructions packed with Fixture

Connect Power at J-Box



Wiring Schematic

Wire Colors

Black - Switched Hot	Gray - Dim (-)
White - Neutral	Purple - Dim (+)
Green - Ground	Orange (Red) - EM Unswitched Hot
	Optional - Cap if Unused

Dimmer: 0-10V (By Others)

