



AMERLUX[®]
LIGHTING SOLUTIONS

ADAPT. ABILITY.™

INSTALLATION INSTRUCTIONS
SHEET #: 689-0746

SPEC. SHEET
REFERENCE:
QLP-SJB

QLP-SJB

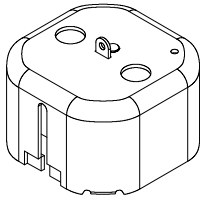
Slotted J-Box Installation

WARNING - RISK OF FIRE AND ELECTRICAL SHOCK. FIXTURE MUST BE INSTALLED BY A QUALIFIED ELECTRICIAN ONLY. FIXTURE IS INTENDED FOR INSTALLATION IN ACCORDANCE WITH THE NATIONAL ELECTRICAL CODE, LOCAL AND FEDERAL SPECIFICATIONS. DISCONNECT POWER AT ELECTRICAL PANEL BEFORE SERVICING .
RETAIN THESE INSTRUCTIONS FOR MAINTENANCE REFERENCE.

Pre-installation Note:

Supplied by others: - Grid Ceiling System

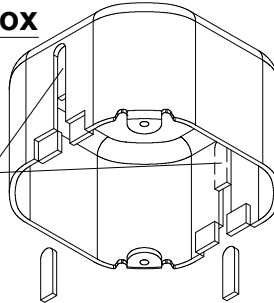
QLP-SJB Contents



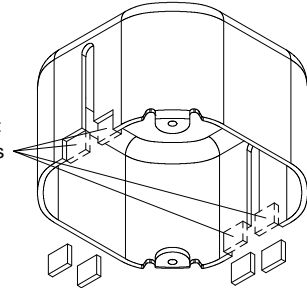
Slotted J-Box
(x1)

Prep J-Box

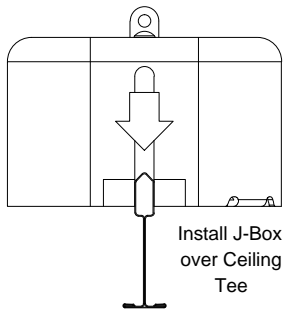
Remove
KO's from
slots.
Discard.



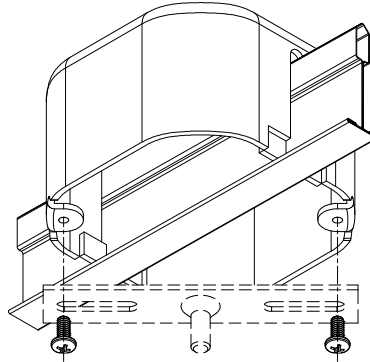
For **Tegular**
or **Slot Grid**
ceiling types:
remove KO's
at base of
opening.
Discard.



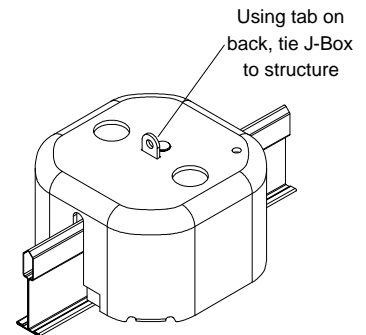
Install J-Box



Install J-Box
over Ceiling
Tee



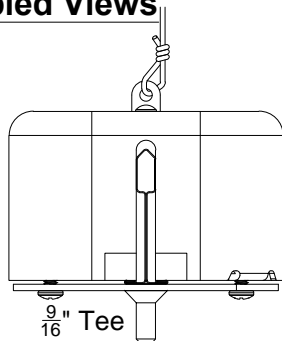
Lock J-Box to Tee by installing
Crossbar (Supplied in Feed and
Non-Feed Kits) to J-Box



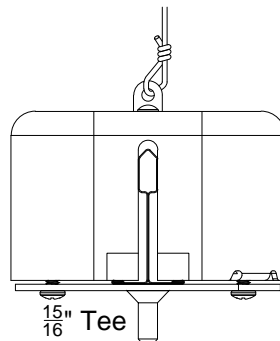
Using tab on
back, tie J-Box
to structure

Refer to Spec Sheet or Shop Drawing for proper location
of mounting points/ locations for junction boxes.

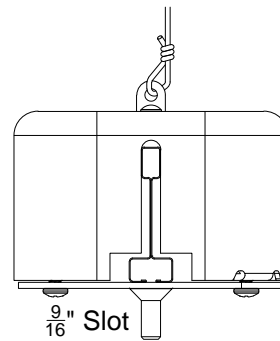
Assembled Views



9/16" Tee



15/16" Tee



9/16" Slot

Amerlux, LLC. - 178 Bauer Drive, Oakland NJ 07436 - T: 973-882-5010 - F: 973-882-2605
www.amerlux.com