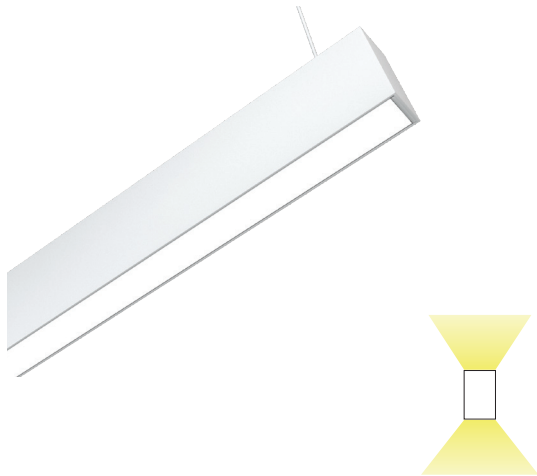


# Quick-Line

## 1.5" Pendant Direct/Indirect



### Features

**Quick-Line 1.5"** delivers your design scenario seamlessly, shipping in as little as 5 business days everytime. Streamlined and flexible, these architectural LED pendants provide the freedom to create truly dynamic spaces in a fraction of the time. The **Quick-Line** family delivers on its promises by the power of disciplined design.

### Product Overview

Type:	Direct/Indirect
Power Level:	Low Power 8W/ft High Power 14W/ft
Max Lumen Output:	6,477 Lm; 1,619 Lm/ft (14W fixture)
Color Temp:	3000K, 3500K, 4000K
CRI:	83 typ.
Lens(Distribution):	Performance Lens (Direct), Batwing (Indirect)
Dimming:	0-10V, 1% dimming 2 circuit, independent switching
Construction:	Aluminum Extrusion

PROJECT:

TYPE:

PRODUCT DISCONTINUED  
Replacement Product: Carisma 2" Direct/Indirect

### Fixture Summary

#### Power Level

	Total Watts Per Foot	Lumens Per Foot	Direct Lumens	Indirect Lumens	Total Lumens
Low	8	972	1,811	2,078	3,889
High	14	1,619	2,986	3,491	6,477

*Lumen Output based on 4', 3500K-83 fixture.*

#### Individual Run Sections: 4', 6', 8'

Please use a combination of 4', 6', 8' standard lengths to create your desired run lengths.

#### Electrical Data

Wattage Per Foot		4'		6'		8'	
		System Watts	Amps	System Watts	Amps	System Watts	Amps
LOW 8W	120V	32	0.26	48	0.40	63.2	0.52
	277V	37	0.14	51.4	0.18	65.6	0.24
HIGH 14W	120V	56	0.46	84	0.70	109	0.90
	277V	59	0.22	85	0.32	108	0.40

*Electronic multi-volt (120V-277V), constant current LED driver*



**5** year limited warranty  
AMERLUX LED



## Ordering Reference

### STEP 1

- **Select Power Level & Color Temperature:**

Power Level: **Low Power** – 8W/ft; 972 Lm/ft (4W Direct, 4W Indirect; 3,889 Lm)

**High Power** – 14W/ft; 1,619 Lm/ft (7W Direct, 7W Indirect; 6,477 Lm)

Color Temp: **30** – 3000K-83 (CRI)

**35** – 3500K-83 (CRI)

**40** – 4000K-83 (CRI)

- **Select Length(s):** 4', 6', or 8'

All lengths are pre-wired and supplied with 1 suspension gripper, alignment pins, light block shield, and Catch & Latch. End Caps ordered separately.

### STEP 2

- **Select Appropriate Kits Needed to Complete Run** (see page 5 for complete kit details)

All Kits are packed individually in a labeled poly bag.

**End Cap Kit:** (needed for every run or individual section)

**QLP1-EC:** One Kit is required for every run. Consists of: 2 End Caps, cable gripper & instruction sheet. (Cable gripper is used with the first feed kit.)

**Power Feed & Cable Kit:**

**QLK-FF210:** Power Feed kits consist of 2 circuit (9 conductor) 10' power cord with female quick-connector, aircraft cable and 5" white canopy. Requires at least 1 for each run or individual fixture. Order **QLK-FF220** for 20' cord/cable.

**Non-Feed Cable Kits:**

**QLK-SC10:** One is required for every 4', 6' or 8' length. Consists of 10' aircraft cable, 5" white canopy, and hardware. Order **QLK-SC20** for 20' cable.

### STEP 3 Optional (see page 5 for complete details)

**Slotted J-Box Accessory:**

**QLP-SJB:** For installation directly over GRID runners in ceiling system. T slotted J-Box works with both 9/16" and 15/16" GRID ceiling.

**Alternate Side Power Feed & Cable Kit:**

**QLK-MF210:** Alternate Side Power Feed kits consist of 2 circuit (9 conductor) 10' power cord with male quick-connector, aircraft cable and 5" white canopy. For use if run of fixtures requires second circuit to be fed from opposite end of run. Order **QLK-MF220** for 20' cord/cable.

⚡ **Warning:** Through wiring must be disconnected and capped to separate the 2 circuits before power is supplied.

**Emergency Circuits:**

Emergency Circuits are easily added to any multi-length run at the beginning or end of run. Replace a Support Cable (QLK-SC10/QLK-SC20) with QLK-MF210/QLK-MF220 (Alt. side power feed) to feed from the right end or a QLK-FF210/QLK-FF220 to feed from left end. See drawing on page 9.

⚡ **Warning:** Use supplied black plug to Dead End last length before adding second feed.

**Additional Circuits:**

Circuits can be added to any multi-length run for Zonal Lighting, or for remote sensor control.

⚡ **Warning:** Use dead end caps on Quick Connects to separate zones prior to turning power on to prevent injury.

# Quick-Line

1.5" Pendant Direct/Indirect



**PROJECT:**

**TYPE:**

**All fixtures come standard with the following:**

- Performance Lens (Direct), Batwing (Indirect) • High Reflectance White Finish • 2 Circuit (9 Conductor)
- 120/277V • 0-10V, 1% Dimming

**STEP 1 Choose Fixture:** Select Power Level, Color Temp & Length

Power Level	Color Temp-CRI	Length	Ordering Part #
<b>Low Power</b> (8 W/ft; 972 Lm/ft) 	<b>30</b> (3000K-83)	4'	QLP1-021
		6'	QLP1-025*
		8'	QLP1-029*
	<b>35</b> (3500K-83)	4'	QLP1-023*
		6'	QLP1-027*
		8'	QLP1-031
	<b>40</b> (4000K-83)	4'	QLP1-043*
		6'	QLP1-045*
		8'	QLP1-047*
<b>High Power</b> (14W/ft; 1,619 Lm/ft) 	<b>30</b> (3000K-83)	4'	QLP1-022*
		6'	QLP1-026*
		8'	QLP1-030*
	<b>35</b> (3500K-83)	4'	QLP1-024*
		6'	QLP1-028*
		8'	QLP1-032*
	<b>40</b> (4000K-83)	4'	QLP1-044*
		6'	QLP1-046*
		8'	QLP1-048*

\* DLC Certified

**STEP 2 Kits:** Required for Assembly (see page 5 for drawings)

Kit	Description	Ordering Part #
<b>End Cap Kit:</b>		
End Cap	End Cap Kit for Direct & Direct/Indirect fixtures (1 per run)	QLP1-EC
<b>Feed Kits:</b>		
Power Feed & Cable Kit	10' power cable, 5" white canopy, 2 circuit (9 conductor) white drop cord 20' power cable, 5" white canopy, 2 circuit (9 conductor) white drop cord	QLK-FF210 QLK-FF220
<b>Non-Feed Cable Kit:</b>		
Support Cable	10' aircraft cable, 5" white canopy & hardware 20' aircraft cable, 5" white canopy & hardware	QLK-SC10 QLK-SC20

**STEP 3 Accessories:** Optional (see page 5 for drawings)

Accessory	Description	Ordering Part #
<b>Optional GRID J-Box Kit:</b>		
Slotted J-Box	Slotted J-Box (needed for feed & non-feed kits over GRID runner)	QLP-SJB
<b>Optional Feed Kit:</b>		
Alternate Side Power & Cable Kit	10' power cable, 5" white canopy, 2 circuit (9 conductor) white drop cord 20' power cable, 5" white canopy, 2 circuit (9 conductor) white drop cord	QLK-MF210 QLK-MF220

**For Emergency Circuits/Additional Circuits:** Order either a Power Feed & Cable Kit (QLK-FF210) or an Alternate Side Power Feed & Cable Kit (QLK-MF210) to replace the Non-Feed Support Cable Kit (QLK-SC10) anywhere along the run. See page 9 for more detail.

# Quick-Line

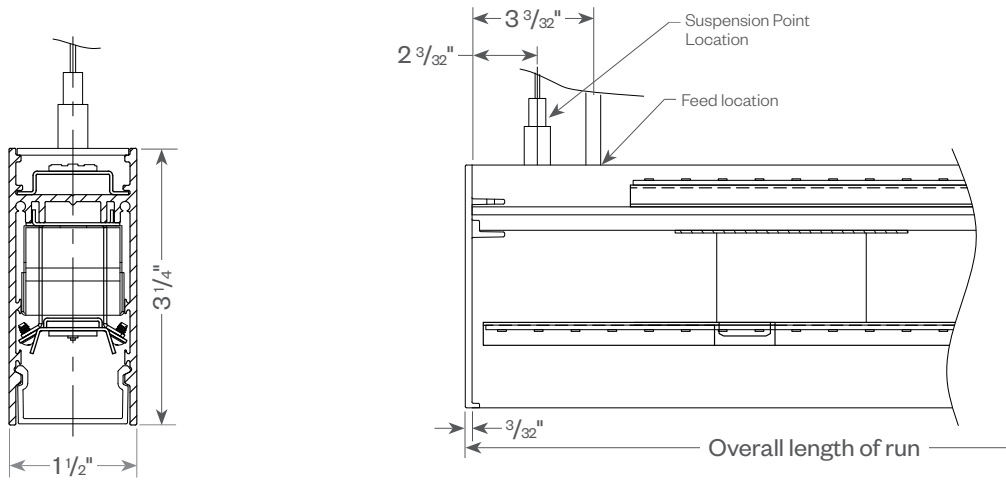
1.5" Pendant Direct/Indirect



## PROJECT:

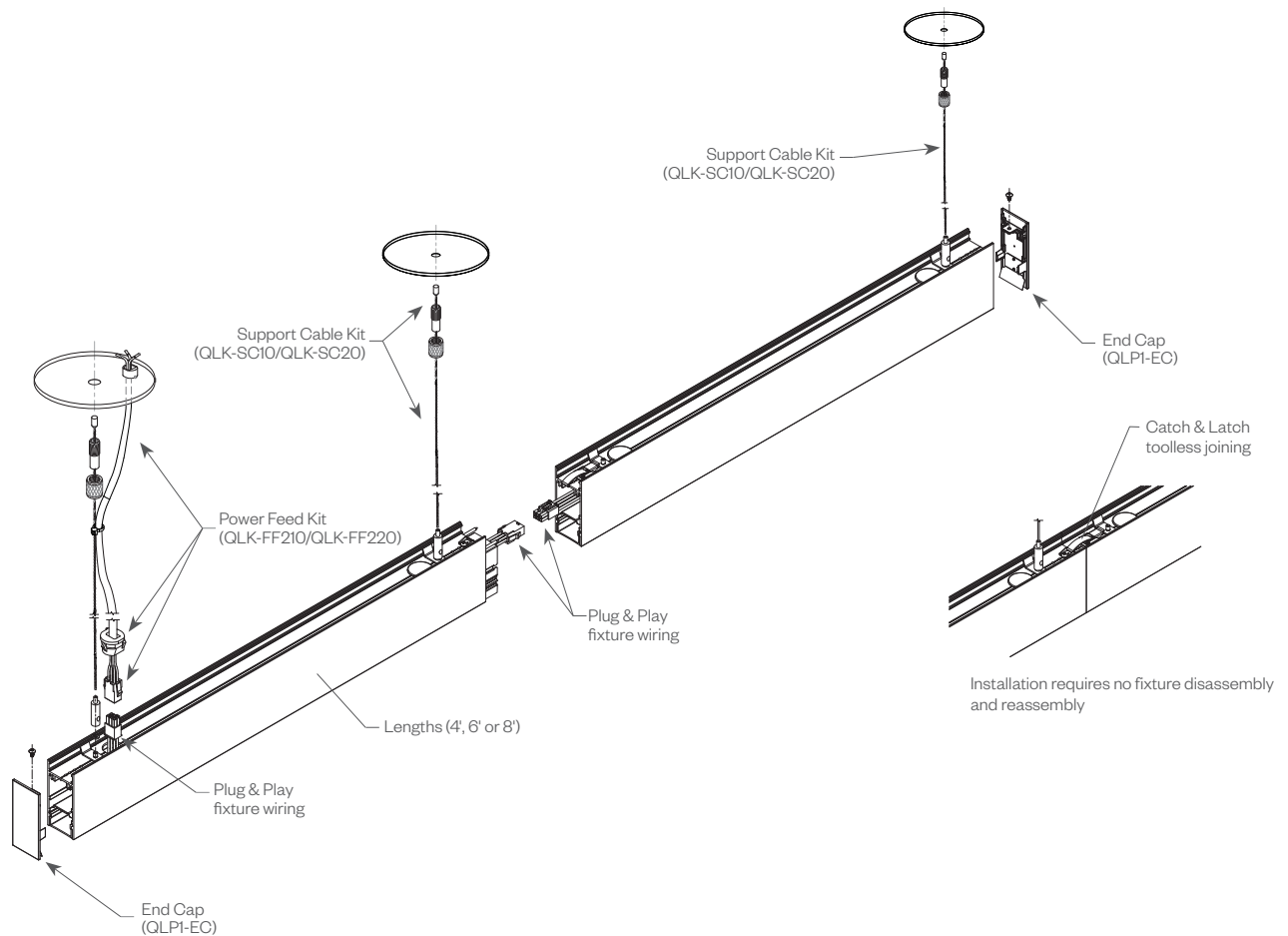
## TYPE:

Quick-Line 1.5" Direct/Indirect



## QUICK CONNECT ALIGNMENT

Plug together Quick connects. Line up the two housings by using the alignment pins & splines. Secure them together by using the Catch & Latch system on the top of the extrusion. Finish run or individual section by securing end caps.



# Quick-Line

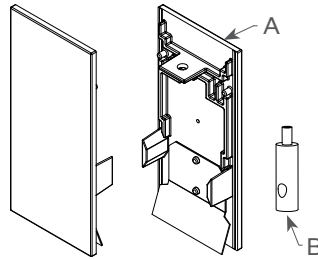
1.5" Pendant Direct/Indirect



## PROJECT:

## TYPE:

### Quick-Line Kits:



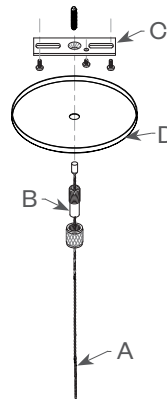
#### End Cap Kit (QLP1-EC)

**Use:** On all single and multiple runs. Field installed on the first and last fixture end of the run.

#### Consisting of:

- A - (2) End Caps with locking screws
- B - (1) Cable Gripper\*
- (1) Instruction Sheet

**\* Note:** One Gripper is factory installed on right side of length for use with QLK-SC10/QLK-SC20 support cable kit. 2nd Gripper is supplied with End Cap Kit and is to be used with beginning feed kit (QLK-FF210/QLK-FF220).



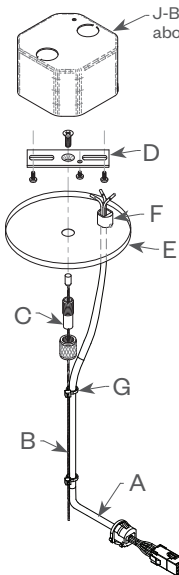
#### Non-Feed Cable Kit (QLK-SC10)

**Use:** Support Cable Kit, 10' long, non-feed. 1 used on every length.

#### Consisting of:

- A - (1) 10' cable
- B - (1) Cable Coupler (ferruled for j-box access)
- C - Cross bar and hardware
- D - (1) 5" White steel Canopy (single hole in center)
- (1) Instruction sheet

Order **QLK-SC20** for 20' cable.



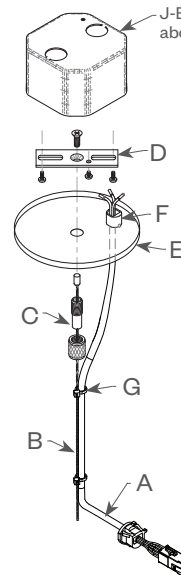
#### Power Feed & Cable Kit (QLK-FF210)

**Use:** For pendant, starting and typically only feed required. Power Feed plug and black dead end plug provided for safety and quick installation. Usually just 1 used on every run.

#### Consisting of:

- A - (1) 10' 9 conductor white drop cord, female quick connect plug with strain relief
- B - (1) 10' cable
- C - (1) Cable Coupler (ferruled for j-box access)
- D - Cross bar and hardware
- E - (1) 5" White steel Canopy
- F - (1) White strain-relief fitting
- G - (10) Wire ties
- (1) Instruction sheet

Order **QLK-FF220** for 20' cord/cable.



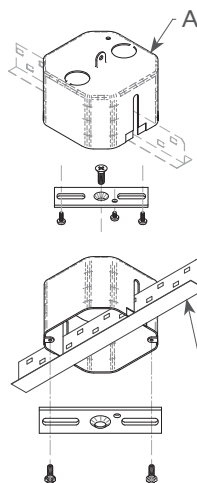
#### Alternate Side Power Feed & Cable Kit (QLK-MF210)

**Use:** For pendant when second feed is required or feeding run from alternate side. Alternate Side plug and black dead end plug provided for safety and quick installation.

#### Consisting of:

- A - (1) 10' 9 conductor white drop cord, male quick connect plug with strain relief
- B - (1) 10' cable
- C - (1) Cable Coupler (ferruled for j-box access)
- D - Cross bar and hardware
- E - (1) 5" White steel Canopy
- F - (1) White strain-relief fitting
- G - (10) Wire ties
- (1) Instruction sheet

Order **QLK-MF220** for 20' cord/cable.



#### Slotted J-Box Accessory (QLP-SJB)

**Use:** For any installation direct over T runners in ceiling grid system. T slotted J-Box works with both 9/16" and 15/16" GRID ceiling systems. Order (1) SJB for every suspension point. Other solutions available for non-feed cable hangers in grid ceilings.

#### Consisting of:

- A - (1) Slotted J-Box (note: all other J-Boxes are supplied by others).

Drop ceiling T-bar (by others) for drop ceiling applications.

# Quick-Line

1.5" Pendant Direct/Indirect



## PROJECT:

## TYPE:

**FIXTURE DATA:** (Complete photometric data (.ies format) available upon request)

**MULTIPLYING FACTORS:** (Multiplying Factor is based on 3500K-83 120V IES file on website)

CCT:	3000K-83	3500K-83	4000K-83
Factor:	0.93	1.0	1.04

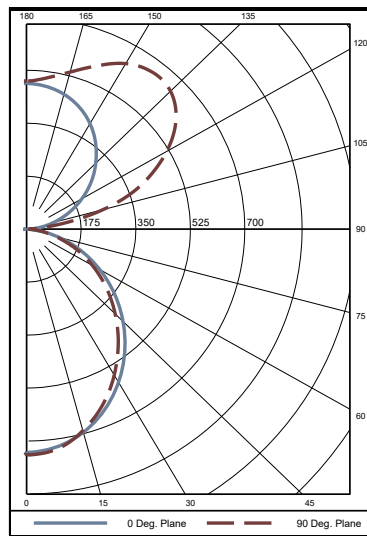
### QLP 1.5DI PERFORMANCE LENS DIRECT/ BATWING LENS INDIRECT 3500K 4FT

Total Watts: 32 (LOW POWER)

Total Lumens: 3889

Source: 192 White LED's

LTL# 12236650.01



#### ZONAL LUMEN SUMMARY

Zone	Lumens	%Fixt
0-40	874	22.5
0-60	1467	37.7
0-90	1811	46.6
90-180	2078	53.4

Efficacy = 121.5 Lumens /Watt

#### COEFFICIENTS OF UTILIZATION

Effective Floor Cavity Reflectance 20%

RC	RW			
	70	50	30	10
0	3798	3798	3798	3798
1	3462	3320	3192	3077
2	3150	2906	2702	2529
3	2873	2560	2314	2117
4	2629	2270	2003	1797
5	2414	2026	1750	1544
6	2225	1820	1543	1342
7	2060	1646	1373	1179
8	1913	1497	1229	1044
9	1783	1368	1109	932
10	1668	1256	1006	837

Values are expressed as Lumens delivered to the task surface.

#### CONE OF LIGHT TABULATION

Mounting Height	Footcandles @ Nadir	Diameter (feet)
4'	46.3	4.61
6'	20.6	6.92
8'	11.6	9.23
10'	7.42	11.5
12'	5.15	13.8
14'	3.78	16.1
16'	2.90	18.5

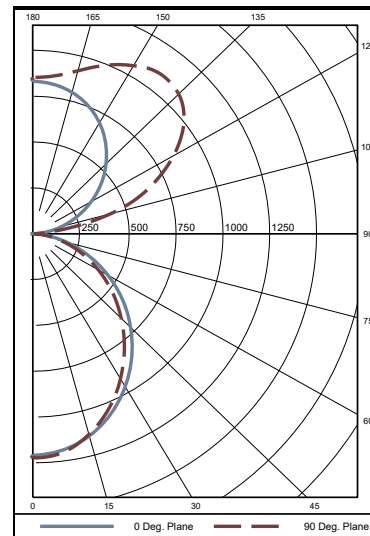
### QLP 1.5DI PERFORMANCE LENS DIRECT/ BATWING LENS INDIRECT 3500K 4FT

Total Watts: 56 (HIGH POWER)

Total Lumens: 6477

Source: 192 White LED's

LTL# 12236650.02



#### ZONAL LUMEN SUMMARY

Zone	Lumens	%Fixt
0-40	1438	22.2
0-60	2418	37.3
0-90	2986	46.1
90-180	3491	53.9

Efficacy = 116.3 Lumens /Watt

#### COEFFICIENTS OF UTILIZATION

Effective Floor Cavity Reflectance 20%

RC	RW			
	70	50	30	10
0	6313	6313	6313	6313
1	5755	5519	5307	5114
2	5235	4830	4491	4203
3	4774	4254	3846	3517
4	4368	3772	3328	2985
5	4011	3366	2907	2564
6	3698	3024	2563	2228
7	3422	2734	2279	1957
8	3178	2485	2041	1732
9	2962	2272	1841	1546
10	2770	2086	1669	1388

Values are expressed as Lumens delivered to the task surface.

#### CONE OF LIGHT TABULATION

Mounting Height	Footcandles @ Nadir	Diameter (feet)
4'	76.0	4.63
6'	33.8	6.95
8'	19.0	9.26
10'	12.2	11.6
12'	8.44	13.9
14'	6.20	16.2
16'	4.75	18.5

# Quick-Line

1.5" Pendant Direct/Indirect



**PROJECT:**

**TYPE:**

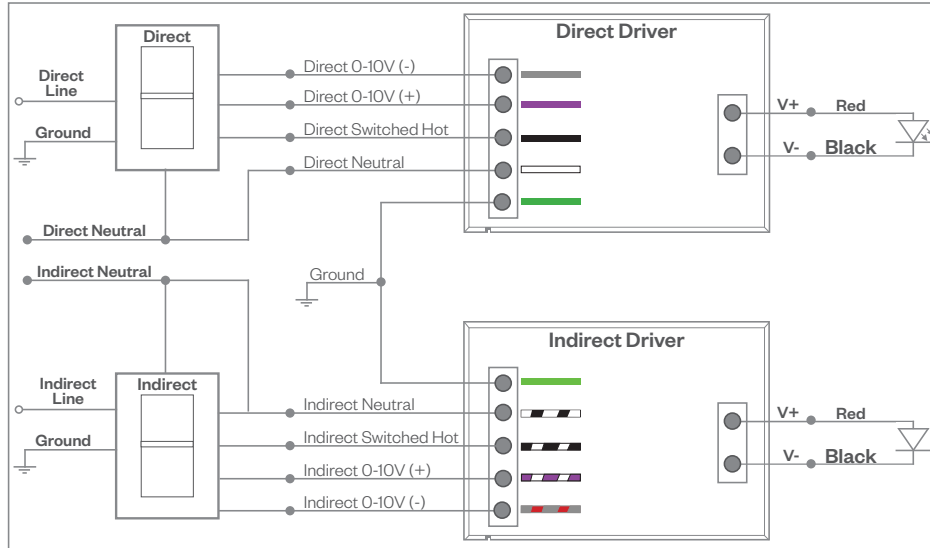
## DIMMING COMPATIBILITY:

Amerlux® **Quick-Line** fixtures are compatible with 0-10V Dimming. Please see below for general compatibilities and wiring diagrams. Amerlux recommends testing your unique dimming configuration as the exact full configuration (Dimmer, Fixture Quantity, Voltage, etc) may affect dimming performance.

### 0-10V - DIMMING (Standard)

Integrates into a variety of building management and daylighting controls

#### 0-10V Wiring Diagram



#### Wire Colors

- Gray - Dim (-)
- Purple - Dim (+)
- Black - Switched Hot
- White - Neutral
- Green - Ground
- Black/Stripe - Indirect Switched Hot
- White/Stripe - Indirect Neutral
- Gray/Stripe - Indirect Dim (-)
- Purple/Stripe - Indirect Dim (+)

#### Notes:

- 120V or 277V\*
- Dims down to 1% light output
- Requires interface to turn off power to driver
- Consult Dimming manufacturer for installation instructions - **Do Not Share Neutrals**

#### Compatible Dimmers†:

##### Wall Box

Lutron:	Wattstopper:	Leviton:
Diva - DVSTV	ADF-120277	Renoir II
Maestro - MS-Z101		
Nova-T - NTSTV-DV		

##### Center System

Lutron Grafikx Eye with GRX-TV1 Interface

#### Notes:

- \* Driver is 277V dimmable with appropriate dimmer (by others). All provided wiring diagrams show 120V wiring colors and method. Please refer to 277V dimmer installation instructions for 277V wiring diagrams.
- † The absence of a dimmer from the lists above does not imply incompatibility. Please consult factory for compatibility inquiries.

# Quick-Line

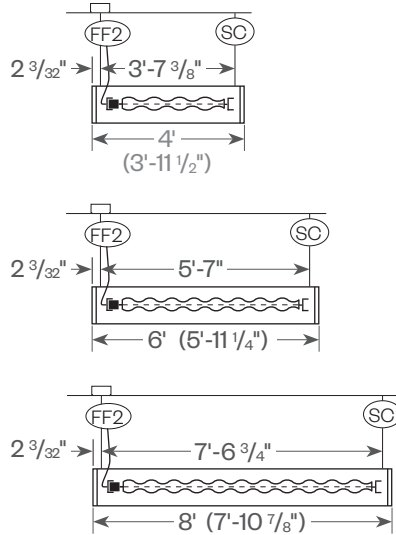
1.5" Pendant Direct/Indirect



**PROJECT:**

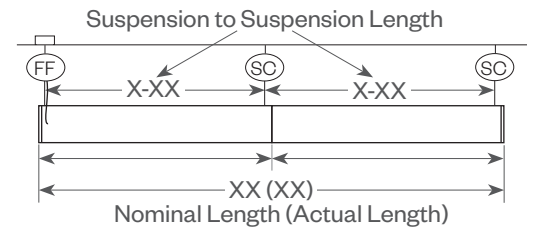
**TYPE:**

## SINGLE LENGTH RUNS



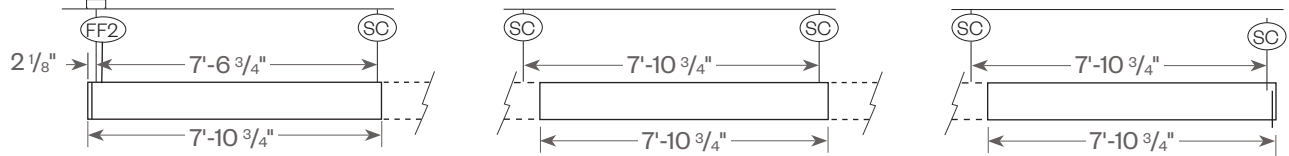
Key:

- (SC) = Support Cable (QLK-SC10), Non-Feed, 10'
- (FF2) = Power Feed (QLK-FF210) Cable Kit, 10', 2 cir.
- (MF2) = Alt. Power Feed (QLK-MF210) Cable Kit, 10', 2 cir.
- | = End Cap (QLP1-EC) Kit
- = Male Quick Connect Plug (for wire harness)
- ┌ = Female Quick Connect Plug (for wire harness)
- = Feed J-Box location

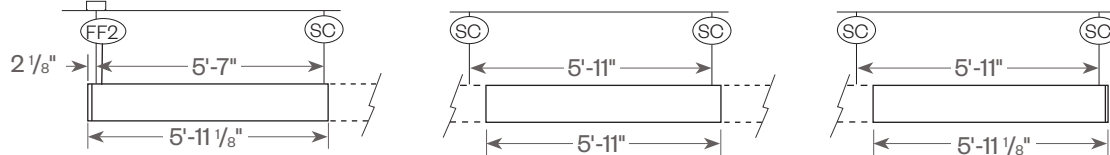


## MULTI-LENGTH RUNS

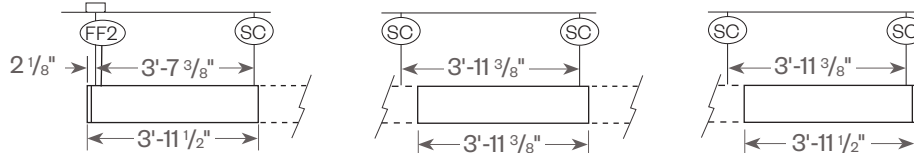
### 8' Lengths



### 6' Lengths



### 4' Lengths



**Note:** Customer is responsible for all measurements, feed locations and field conditions.

## DIRECT/INDIRECT VOLTAGE DROPS

Recommended 2nd Power Feed:

### Low Power Level

120 Volts 8W/ft - 75' second drop  
277 Volts 8W/ft - 170' second drop

### High Power Level

120 Volts 14W/ft - 40' second drop  
277 Volts 14W/ft - 95' second drop



# Quick-Line

1.5" Pendant Direct/Indirect

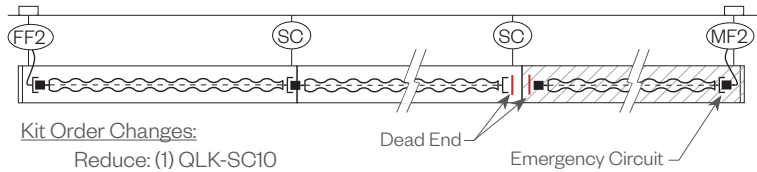


**PROJECT:**

**TYPE:**

## OPTIONAL EMERGENCY CIRCUITING:

### EMERGENCY CIRCUIT AT END



Kit Order Changes:

Reduce: (1) QLK-SC10

Add: (1) QLK-MF210 (at end of run)

Key:

⊙ = Support Cable (QLK-SC10), Non-Feed, 10'

⊙ = Power Feed (QLK-FF210) Cable Kit, 10', 2 cir.

⊙ = Alt. Power Feed (QLK-MF210) Cable Kit, 10', 2 cir.

⊥ = End Cap (QLP1-EC) Kit

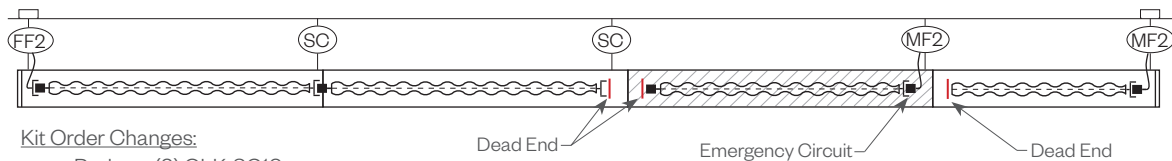
■ = Male Quick Connect Plug (for wire harness)

⊥ = Female Quick Connect Plug (for wire harness)

| = Dead end

⊥ = Feed J-Box location

### EMERGENCY CIRCUIT IN MIDDLE

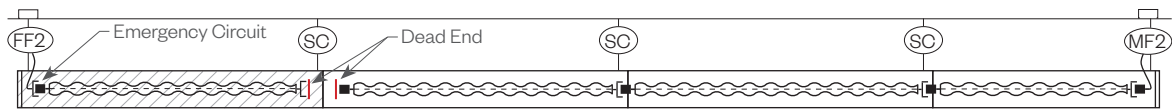


Kit Order Changes:

Reduce: (2) QLK-SC10

Add: (1) QLK-MF210 (at end of run) & (1) QLK-FF210 (in middle of run)

### EMERGENCY CIRCUIT AT BEGINNING



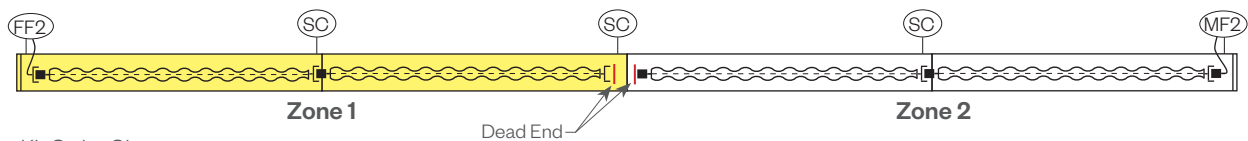
Kit Order Changes:

Reduce: (1) QLK-SC10

Add: (1) QLK-MF210 (at end of run)

## ZONAL LIGHTING

Note: Additional circuits can be added as needed. Warning: Use Dead End plugs (black) to safely end circuits.



Kit Order Changes:

Reduce: (1) QLK-SC10

Add: (1) QLK-MF210 (at end of)

# Quick-Line

1.5" Pendant Direct/Indirect



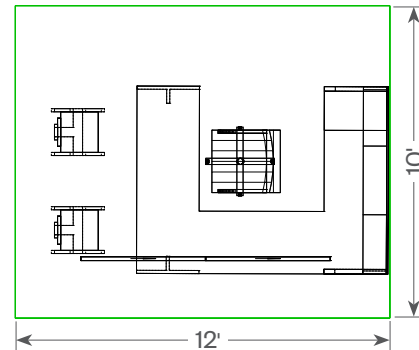
## PROJECT:

## TYPE:

### APPLICATION DATA:

#### Private Office:

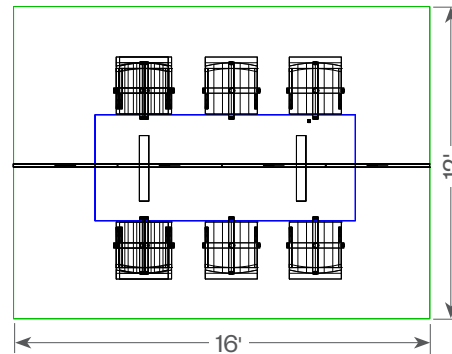
Room Size: 12' x 10' (120 ft<sup>2</sup>)  
 Ceiling Height: 8' 6"  
 Fixture Mounting: 7' mh (top of fixture)  
 LLF: 0.78



Model	Performance Profile (3500K)	Run	Total Wattage	Avg Illumination (fc) on work plane	Ceiling Uniformity (max/min ratio)	Lighting Power Density (W/ft <sup>2</sup> )
QLP1.5 Dir/Ind	LOW (972 Lm/ft)	8' Run	64	28	18.80	0.53
QLP1.5 Dir/Ind	HIGH (1,619 Lm/ft)	8' Run	112	46	19.12	0.93

#### Small Conference Room:

Room Size: 12' x 16' (192 ft<sup>2</sup>)  
 Ceiling Height: 8' 6"  
 Fixture Mounting: 7' mh (top of fixture)  
 LLF: 0.78



Model	Performance Profile (3500K)	Run	Total Wattage	Avg Illumination (fc) on work plane	Ceiling Uniformity (max/min ratio)	Lighting Power Density (W/ft <sup>2</sup> )
QLP1.5 Dir/Ind	LOW (972 Lm/ft)	12' Run	128	39	8.85	0.67
QLP1.5 Dir/Ind	HIGH (1,619 Lm/ft)	12' Run	223	65	9.04	1.16

# Quick-Line

1.5" Pendant Direct/Indirect



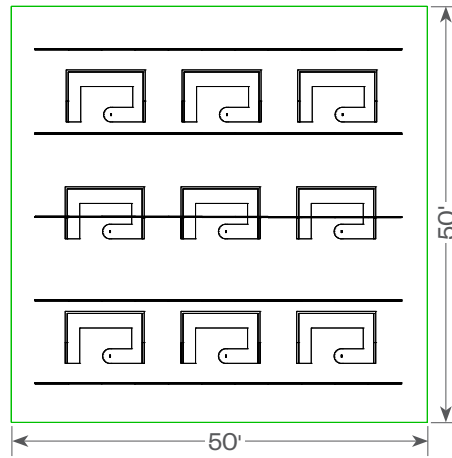
**PROJECT:**

**TYPE:**

**APPLICATION DATA:**

**Large Open Office:**

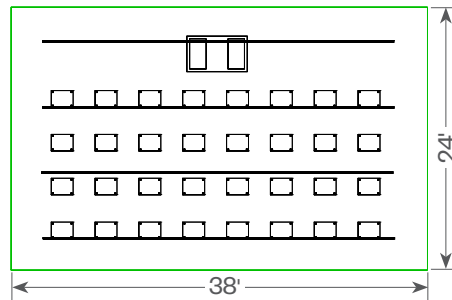
Room Size: 50' x 50' (2,500 ft<sup>2</sup>)  
 Ceiling Height: 9'  
 Fixture Mounting: 7' 6" mh (top of fixture)  
 LLF: 0.78



Model	Performance Profile (3500K)	44' Runs	Run Wattage	Total Wattage	Avg Illumination (fc) on work plane	Ceiling Uniformity (max/min ratio)	Lighting Power Density (W/ft <sup>2</sup> )
QLP1.5 Dir/Ind	LOW (972 Lm/ft)	5 Runs 10' O.C.	352	1,760	47	9.49	0.70
QLP1.5 Dir/Ind	HIGH (1,619 Lm/ft)	5 Runs 10' O.C.	612	3,062	84	9.58	1.23
QLP1.5 Dir/Ind	LOW (972 Lm/ft)	6 Runs 8' O.C.	352	2,112	61	8.21	0.85
QLP1.5 Dir/Ind	HIGH (1,619 Lm/ft)	6 Runs 8' O.C.	613	3,675	101	8.36	1.47

**Classroom:**

Room Size: 38' x 24' (912 ft<sup>2</sup>)  
 Ceiling Height: 12'  
 Fixture Mounting: 10' 6" mh (top of fixture)  
 LLF: 0.78



Model	Performance Profile (3500K)	32' Runs	Run Wattage	Total Wattage	Avg Illumination (fc) on work plane	Ceiling Uniformity (max/min ratio)	Lighting Power Density (W/ft <sup>2</sup> )
QLP1.5 Dir/Ind	LOW (972 Lm/ft)	4 Runs 6' O.C.	256	1,024	75	4.99	1.12
QLP1.5 Dir/Ind	HIGH (1,619 Lm/ft)	4 Runs 6' O.C.	446	1,782	125	5.05	1.95
QLP1.5 Dir/Ind	LOW (972 Lm/ft)	3 Runs 8' O.C.	256	768	57	6.11	0.84
QLP1.5 Dir/Ind	HIGH (1,619 Lm/ft)	3 Runs 8' O.C.	446	1,336	95	6.24	1.47