



AMERLUX[®]
LIGHTING SOLUTIONS

ADAPT. ABILITY.™

INSTALLATION INSTRUCTIONS
SHEET #: 689-0738

SPEC. SHEET
REFERENCE:
QLK-MF210/220

QLK-MF210/220

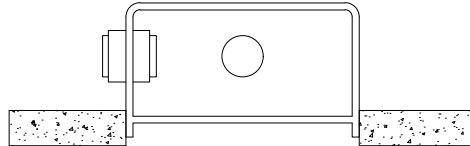
QLP Male Plug, 2 Circuit Feed Kit (Black or White)

WARNING - RISK OF FIRE AND ELECTRICAL SHOCK. FIXTURE MUST BE INSTALLED BY A QUALIFIED ELECTRICIAN ONLY. FIXTURE IS INTENDED FOR INSTALLATION IN ACCORDANCE WITH THE NATIONAL ELECTRICAL CODE, LOCAL AND FEDERAL SPECIFICATIONS. DISCONNECT POWER AT ELECTRICAL PANEL BEFORE SERVICING.

RETAIN THESE INSTRUCTIONS FOR MAINTENANCE REFERENCE.

Pre-installation Note:

Supplied by others: - 4" octagonal junction boxes W/ 2pc #8 Screws for mounting Crossbar



Install junction box - The junction box should be placed as shown to make sure that the canopy cover sits flush with the ceiling when install is finished.

Refer to Spec Sheet for proper location of mounting points/ locations for junction boxes.

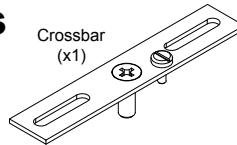
QLK-MF210/220 Contents



Coupler w/
Slip Ring
(x1)

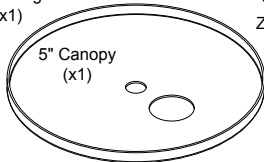
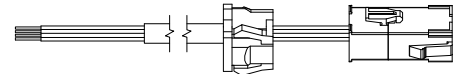


Zip Ties
(x7)



Crossbar
(x1)

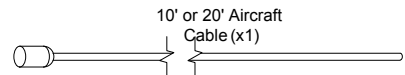
10' or 20' 9-Wire Power Drop -
Male w/ Female Dead-End Plug
(x1)



5" Canopy
(x1)

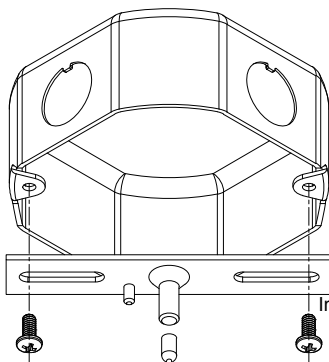


7/8" Strain
Relief
(x1)

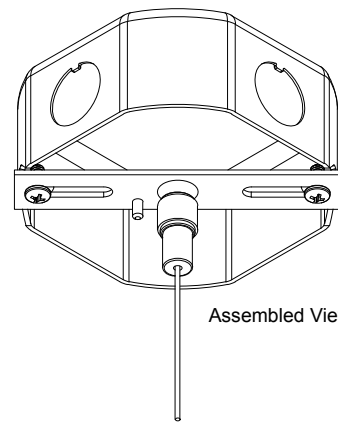


10' or 20' Aircraft
Cable (x1)

Prep J-Box @ Ceiling



Install Crossbar
to J-Box



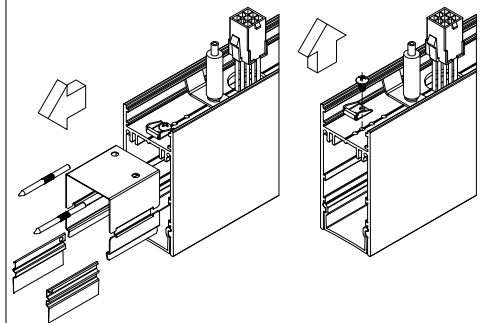
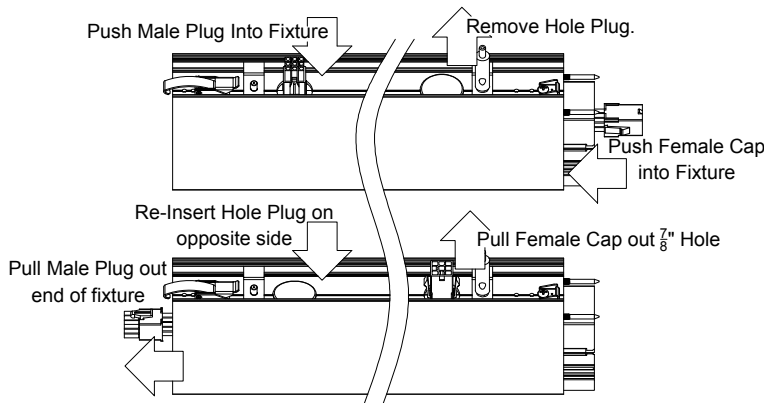
Assembled View

Thread Aircraft Cable
through Coupler. Install
Coupler to stud on Crossbar.

**Amerlux, LLC. - 178 Bauer Drive, Oakland NJ 07436 - T: 973-882-5010 - F: 973-882-2605
www.amerlux.com**



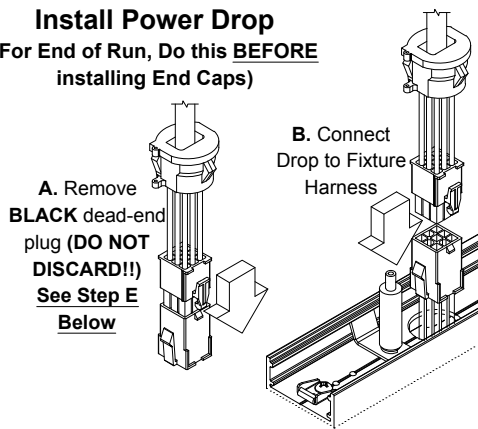
Feeding at Middle / End of a Run (MoR / EoR)



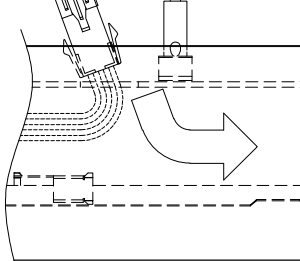
For QuickLine End Of Run Only
Remove Light Leak Shields & Catch. Detailed Instructions in kit QLP-ECs

Install Power Drop

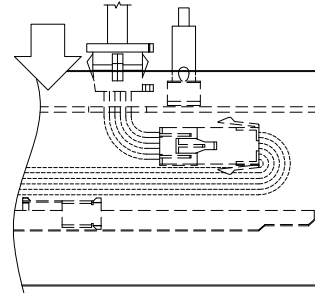
(For End of Run, Do this **BEFORE** installing End Caps)



C. Feed Harness in at angle as shown. From open end, grab and pull harness outward



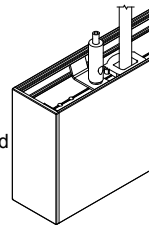
D. Insert Strain Relief and snap into provided hole



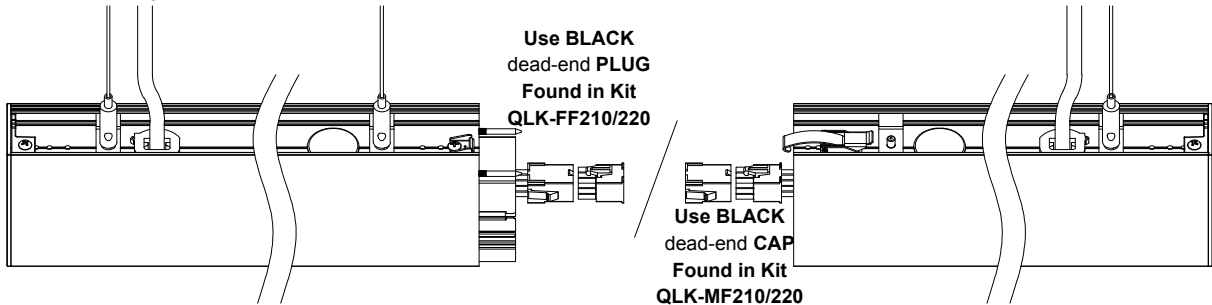
Failure to install feed at an angle as shown will result in LED reflector becoming disengaged.

QuickLine Only

On End of Run, End Cap can be installed after Feed Cord is installed (See Instructions in kit QLP-ECs)

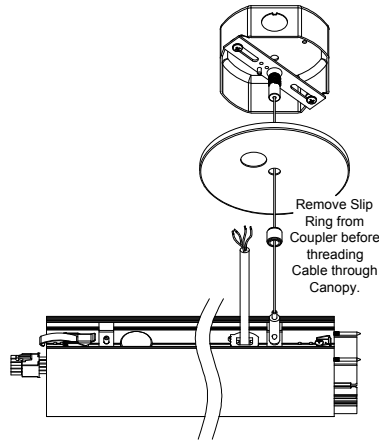


E. Dead-End power harnesses at appropriate fixture breaks using provided BLACK Plugs / Caps



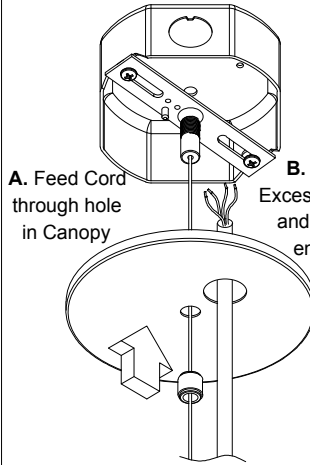
DO NOT FEED A CONTINUOUS RUN IN (2) OR MORE LOCATIONS. CONTINUOUS RUN POWER MUST BE BROKEN VIA DEAD-END CAPS/PLUGS

Connecting Fixture/Run to Power @ J-Box

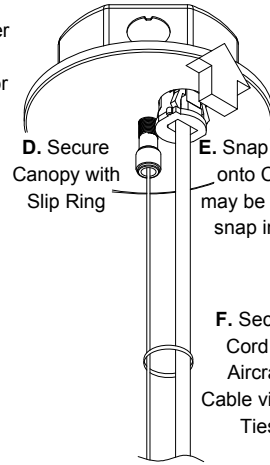


Hang Fixture Section
See Detailed Instructions packed with Fixture

Connect Power at J-Box



C. Splice to Power
(See Wiring Diagram below for Wire Colors)



Wiring Schematic

Wire Colors

Black - Direct Switched Hot	Black / Stripe - Indirect Switched Hot
White - Direct Neutral	White / Stripe - Indirect Neutral
Gray - Direct Dim (-)	Gray / Stripe - Indirect Dim (-)
Purple - Direct Dim (+)	Purple / Stripe - Indirect Dim (+)
Green - Ground	

Dimmer: 0-10V (By Others)

