



AMERLUX[®]
LIGHTING SOLUTIONS

ADAPT. ABILITY.™

INSTALLATION INSTRUCTIONS
SHEET #: 689-0737

SPEC. SHEET
REFERENCE:
QLK-MF110/120

QLK-MF110/120

QLP Male Plug, 1 Circuit Feed Kit (Black or White)

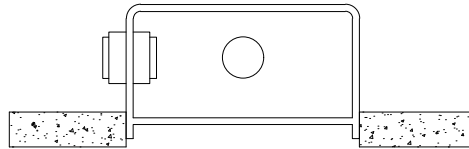
WARNING - RISK OF FIRE AND ELECTRICAL SHOCK. FIXTURE MUST BE INSTALLED BY A QUALIFIED ELECTRICIAN ONLY. FIXTURE IS INTENDED FOR INSTALLATION IN ACCORDANCE WITH THE NATIONAL ELECTRICAL CODE, LOCAL AND FEDERAL SPECIFICATIONS. DISCONNECT POWER AT ELECTRICAL PANEL BEFORE SERVICING.

FOR RUNS WIRED FOR EM - UNIT HAS MORE THAN ONE POWER SUPPLY CONNECTION POINT. TO REDUCE THE RISK OF ELECTRIC SHOCK, DISCONNECT BOTH THE BRANCH CIRCUIT-BREAKERS OR FUSES AND EMERGENCY/BACKUP POWER SUPPLIES BEFORE SERVICING

RETAIN THESE INSTRUCTIONS FOR MAINTENANCE REFERENCE.

Pre-installation Note:

Supplied by others: - 4" octagonal junction boxes W/ 2pc #8 Screws for mounting Crossbar



Install junction box - The junction box should be placed as shown to make sure that the canopy cover sits flush with the ceiling when install is finished.

Refer to Spec Sheet for proper location of mounting points/ locations for junction boxes.

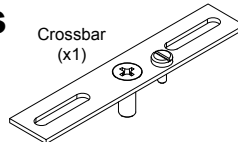
QLK-MF110/120 Contents



Coupler w/
Slip Ring
(x1)



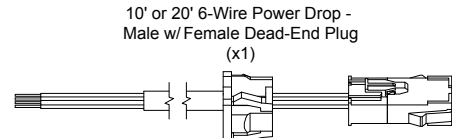
Zip Ties
(x7)



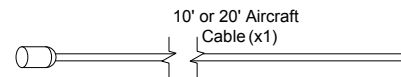
Crossbar
(x1)



7/8" Strain
Relief
(x1)

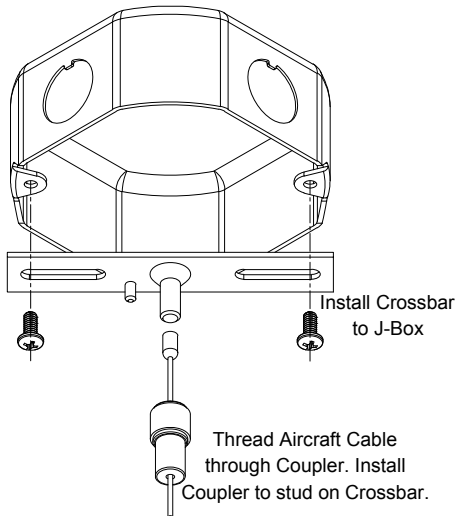


10' or 20' 6-Wire Power Drop -
Male w/ Female Dead-End Plug
(x1)



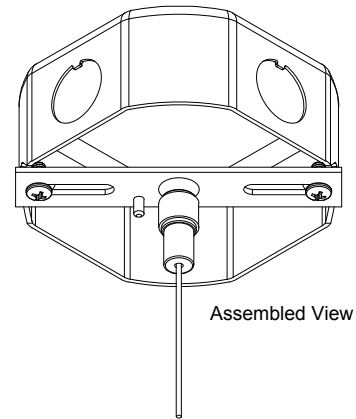
10' or 20' Aircraft
Cable (x1)

Prep J-Box @ Ceiling



Install Crossbar
to J-Box

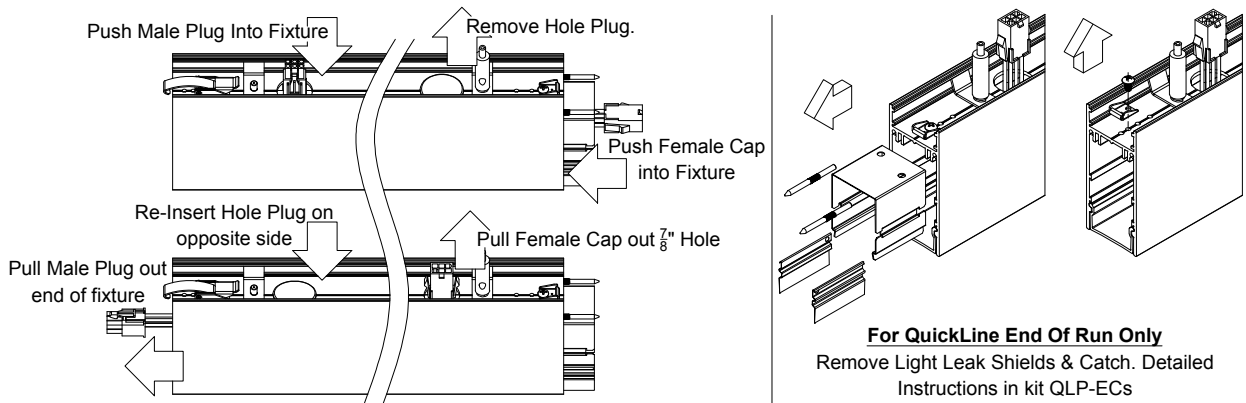
Thread Aircraft Cable
through Coupler. Install
Coupler to stud on Crossbar.



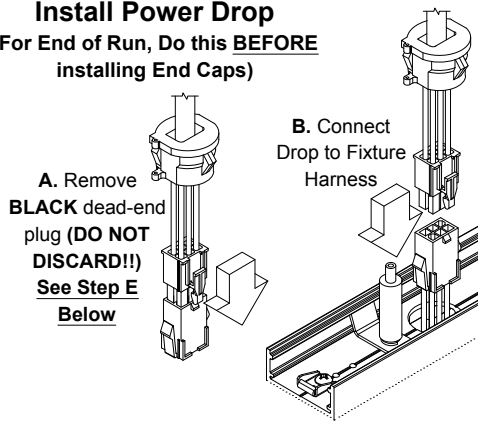
Assembled View

**Amerlux, LLC. - 178 Bauer Drive, Oakland NJ 07436 - T: 973-882-5010 - F: 973-882-2605
www.amerlux.com**

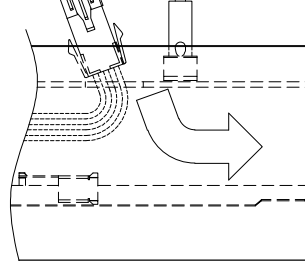
Feeding at Middle / End of a Run (MoR / EoR)



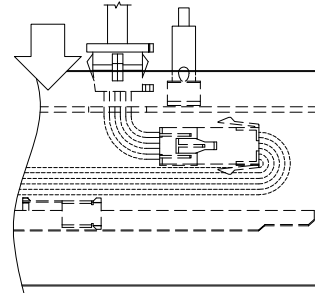
Install Power Drop (For End of Run, Do this BEFORE installing End Caps)



C. Feed Harness in at angle as shown. From open end, grab and pull harness outward

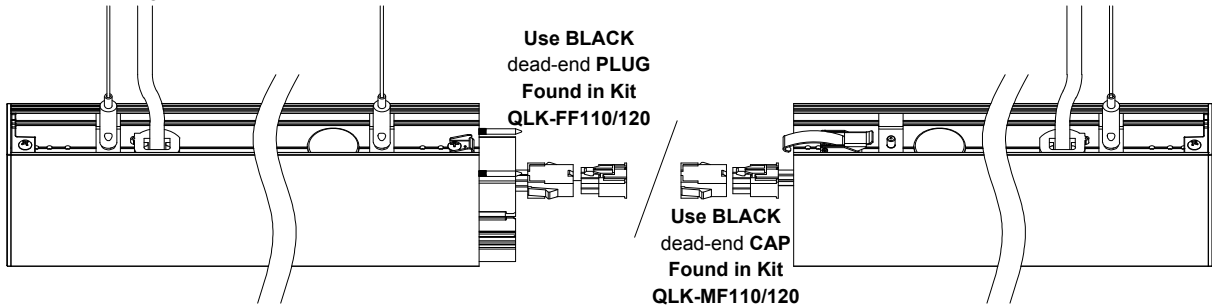


D. Insert Strain Relief and snap into provided hole

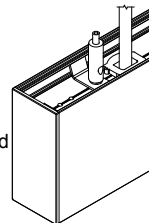


Failure to install feed at an angle as shown will result in LED reflector becoming disengaged.

E. Dead-End power harnesses at appropriate fixture breaks using provided BLACK Plugs / Caps

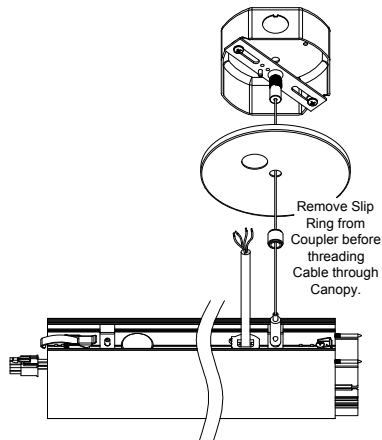


QuickLine Only
On End of Run, End Cap can be installed after Feed Cord is installed (See Instructions in kit QLP-ECs)



**DO NOT FEED A CONTINUOUS RUN IN (2) OR MORE LOCATIONS.
CONTINUOUS RUN POWER MUST BE BROKEN VIA DEAD-END CAPS/PLUGS**

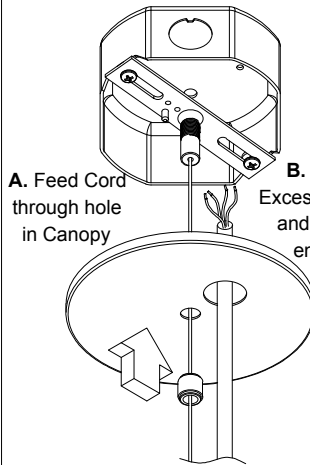
Connecting Fixture/Run to Power @ J-Box



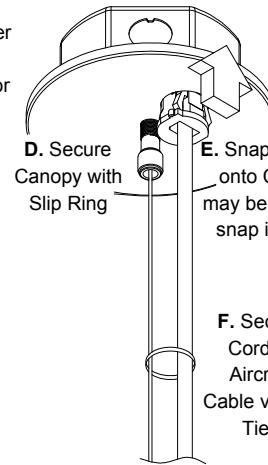
Hang Fixture Section

See Detailed Instructions packed with Fixture

Connect Power at J-Box



C. Splice to Power
(See Wiring
Diagram below for
Wire Colors)



Wiring Schematic

Wire Colors

Black - Switched Hot	Gray - Dim (-)
White - Neutral	Purple - Dim (+)
Green - Ground	Orange (Red) - EM Unswitched Hot
	Optional - Cap if Unused

Dimmer: 0-10V

(By Others)

