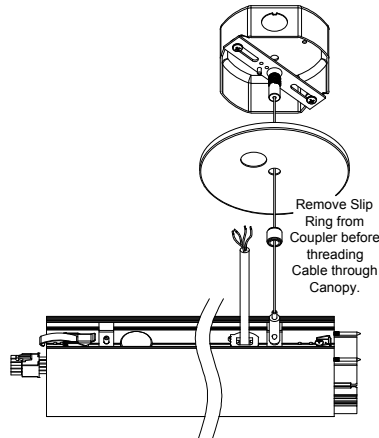


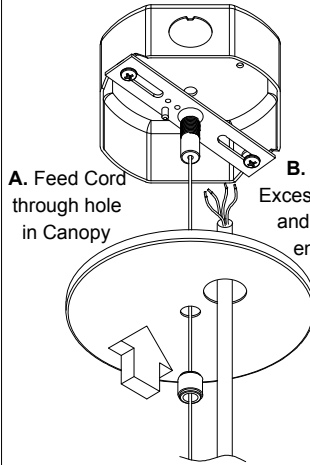
Connecting Fixture/Run to Power @ J-Box



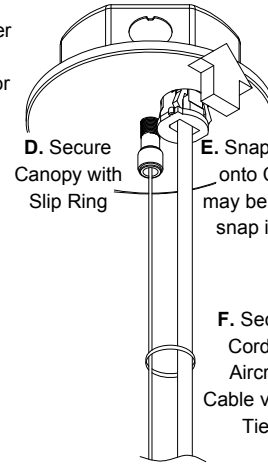
Hang Fixture Section

See Detailed Instructions packed with Fixture

Connect Power at J-Box



C. Splice to Power
(See Wiring Diagram below for Wire Colors)



Wiring Schematic

Wire Colors

Black - Direct Switched Hot	Black / Stripe - Indirect Switched Hot
White - Direct Neutral	White / Stripe - Indirect Neutral
Gray - Direct Dim (-)	Gray / Stripe - Indirect Dim (-)
Purple - Direct Dim (+)	Purple / Stripe - Indirect Dim (+)
Green - Ground	

Dimmer: 0-10V (By Others)

