

PRODUCER

INTERNATIONAL SYMMETRICAL LINEAR LED

I-PROD-SYM
LED

APPLICATIONS:

Ambient, aisle and display lighting

CONSTRUCTION:

One piece extruded aluminum housing
Die-formed cold rolled steel internal wiring chassis
High reflectance white finish. For other finishes, consult factory

OPTICS:

5w/ft or 10w/ft, 3500K LED's standard
Other color temps available
Extruded white acrylic lens, snap-in, 8' maximum section
Amerlux exclusive white acrylic lens provides excellent transmission while effectively concealing lamp image
Optional uplight component (12" every 4'-0"). Shares driver with downlight and creates an 80% dwn/20% up fixture. (Wattage remains constant)

ELECTRICAL:

Electronic, multi-volt (240v) constant current driver
Dimmable, 0-10v

This product complies with IEEE C62.41 for surge endurance up to 3KV. Amerlux recommends using additional surge protection with this unit (supplied by others), surge damage is not covered by warranty.

MOUNTING:

Choice of individual or continuously row-mounted
Aircraft cable suspension

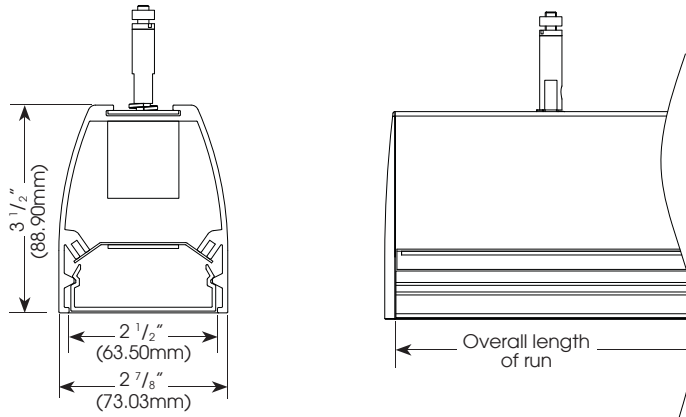
LABELING:

CE pending



PROJECT:

TYPE:



ELECTRICAL

| Driver | Wattage per foot | 240v | 4' | | 8' | |
|------------|------------------|------|-------------|------|-------------|------|
| | | | Input watts | Amps | Input watts | Amps |
| Electronic | 5 | 240v | 20 | 0.08 | 40 | 0.17 |
| | 10 | 240v | 46 | 0.19 | 92 | 0.38 |

ORDERING INFORMATION:

| Model | Mounting | Wattage Per Foot | Lamp Type | Driver | Finish | Length | Voltage | Configuration | Color Temp | Listing Code | Options |
|---------------------------------------|--|------------------|-----------|----------------|--|---|---------|---|------------------------------|--------------|--|
| I-PROD-SYM - symmetrical diffuse lens | ASW5 - aircraft cable with white straight feed (3 wire), 5ft | 5 10 | LED | E - electronic | HW - high reflectance white ___ - other finish, consult factory | 4 - 4' 8 - 8' (Runs in 4' increments) | 240 | IND - individual BOR - beginning of run MOR - middle of run EOR - end of run | 2700 3000 3500 4000 | CE | LVR - straight blade louver UL - uplight |

3 year limited warranty
AMERLUX INTERNATIONAL
(see website for details)

Example: I-PROD-SYM-ASW5-10-LED-E-HW-4-240-IND-3000-CE

Cat #:

Amerlux® reserves the right to change details that do not affect overall function and performance.

Amerlux®, LLC. • 178 Bauer Drive, Oakland, NJ 07436 • p: 973.882.5010 f: 973-882.2605 • www.amerlux.com



PRODUCER

INTERNATIONAL SYMMETRICAL LINEAR LED

I-PROD-SYM
LED



TYPE:

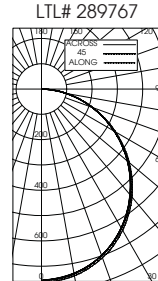
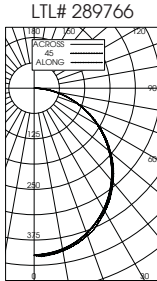


FIXTURE DATA:

Complete photometric data (ies format) available upon request.

PRODUCER SYMMETRICAL 5W LED 4FT 3500K
SOURCE: 120 WHITE LEDS LUMENS: 1187
RECESSED

PRODUCER SYMMETRICAL 10W LED 4FT 3500K
SOURCE: 120 WHITE LEDS LUMENS: 2181
RECESSED



ZONAL LUMEN SUMMARY

| Zone | Lumens | %Lamp | %Fixt |
|--------|--------|-------|--------|
| 0-30 | 319 | N/A | 26.91 |
| 0-40 | 522 | N/A | 43.95 |
| 0-60 | 921 | N/A | 77.59 |
| 0-90 | 1187 | N/A | 100.00 |
| 90-180 | 0 | N/A | 0.0 |
| 0-180 | 1187 | N/A | 100.0 |

Total Luminaire Efficiency = 55.5 Lumens /Watt

COEFFICIENTS OF UTILIZATION

Effective Floor Cavity Reflectance 20%

| RC | 80 | | | |
|-----|------|------|------|------|
| | 70 | 50 | 30 | 10 |
| RW | | | | |
| RCR | | | | |
| 0 | 1.19 | 1.19 | 1.19 | 1.19 |
| 1 | 1.09 | 1.04 | 1.00 | 0.97 |
| 2 | 1.00 | 0.92 | 0.86 | 0.80 |
| 3 | 0.91 | 0.81 | 0.73 | 0.67 |
| 4 | 0.84 | 0.73 | 0.64 | 0.58 |
| 5 | 0.77 | 0.65 | 0.56 | 0.50 |
| 6 | 0.71 | 0.58 | 0.50 | 0.43 |
| 7 | 0.65 | 0.52 | 0.44 | 0.38 |
| 8 | 0.61 | 0.47 | 0.39 | 0.33 |
| 9 | 0.56 | 0.43 | 0.35 | 0.29 |
| 10 | 0.52 | 0.39 | 0.31 | 0.26 |

ZONAL LUMEN SUMMARY

| Zone | Lumens | %Lamp | %Fixt |
|--------|--------|-------|--------|
| 0-30 | 586 | N/A | 26.86 |
| 0-40 | 957 | N/A | 43.87 |
| 0-60 | 1690 | N/A | 77.48 |
| 0-90 | 2181 | N/A | 100.00 |
| 90-180 | 0 | N/A | 0.0 |
| 0-180 | 2181 | N/A | 100.0 |

Total Luminaire Efficiency = 50.4 Lumens /Watt

COEFFICIENTS OF UTILIZATION

Effective Floor Cavity Reflectance 20%

| RC | 80 | | | |
|-----|------|------|------|------|
| | 70 | 50 | 30 | 10 |
| RW | | | | |
| RCR | | | | |
| 0 | 1.19 | 1.19 | 1.19 | 1.19 |
| 1 | 1.09 | 1.05 | 1.00 | 0.97 |
| 2 | 1.00 | 0.92 | 0.86 | 0.80 |
| 3 | 0.91 | 0.81 | 0.73 | 0.67 |
| 4 | 0.84 | 0.73 | 0.64 | 0.58 |
| 5 | 0.77 | 0.65 | 0.56 | 0.50 |
| 6 | 0.71 | 0.58 | 0.50 | 0.43 |
| 7 | 0.65 | 0.52 | 0.44 | 0.38 |
| 8 | 0.61 | 0.47 | 0.39 | 0.33 |
| 9 | 0.56 | 0.43 | 0.35 | 0.29 |
| 10 | 0.52 | 0.39 | 0.31 | 0.26 |