

Producer

Linear Pendant



PROJECT:

TYPE:

Features

The Producer is a linear LED pendant fixture. At 5 or 10 watts per foot, it features a high efficient 60° or 80° batwing distribution, providing the right amount of light for your shelving displays. For more general illumination applications, a symmetrical distribution is offered. Available in 2' - 8' (*standard*) run lengths, the Producer offers various color temperatures, an optional 20% uplight component, as well as 0-10V dimming. The Producer is ideal choice for aisle lighting or general lighting in supermarkets.



Product Overview

Type: Cable Suspended, Direct
 Wattage: 5W/ft, 10W/ft (*other wattages available see p2*)
 Color Temp: 2700K, 3000K, 3500K, 4000K
 CRI: 83 or 90+ typ.
 Dimming: 0-10V, 1% dim, 120/277VAC (*standard*)
 Lutron LDE1 Hi-lume® 1% Soft-On/Fade-to-Black
 DALI, 1% dim

Certifications



Fixture Summary

Performance Data

Nominal Wattage/Foot	Actual Wattage/Foot	Total Wattage (4')	Delivered Lumens	LPW	Color Temp	CRI
5	4.75	19	2809	147.8	3500K	83
10	9.5	38	5016	132.4	3500K	83

Data is based on 3500K-83 120V IES files available on website.

Data is based on 4' fixture with 60° Batwing lens.

Runs

Individual Runs: 2' - 8' (*whole foot standard*).

Continuous Runs: Available (*whole foot standard*).

Electrical Data

Wattage per Foot	Voltage	4'		8'	
		System Watts	Amps	System Watts	Amps
5	120V	22.3	0.18	41.9	0.35
	277V	22.9	0.09	41.6	0.16
10	120V	42.1	0.35	84.2	0.70
	277V	41.5	0.15	83.0	0.30

Electronic multi-volt (120-277VAC), constant current LED driver.

Standard Patterns

				Wall to Ceiling
Yes	Yes	Yes	Yes	No

*Submit drawing, consult factory.

Producer

Linear Pendant



PROJECT:

TYPE:

Ordering Information

PROD-A16

120/277

1	2	3	4	5	6	7	8	9	10	11																									
1 Model	2 Optics	3 Mounting			4 Wattage (per foot)																														
PROD-A16 [†]	BAT60 batwing 60° BAT80 batwing 80° DL designer lens, symmetrical distribution	Pendant Mount (aircraft cable suspension) ASW10 through ceiling tile or gyp board, white, 10' ASW20 through ceiling tile or gyp board, white, 20' ASB10 through ceiling tile or gyp board, black, 10' ASB20 through ceiling tile or gyp board, black, 20' ASW10T over ceiling tee, white, 10' ASW20T over ceiling tee, white, 20' ASB10T over ceiling tee, black, 10' ASB20T over ceiling tee, black, 20' 1420P mounting plate gripper with 1/4" -20 x 3/8" stud, power feed by others			Standard Optional 5 5W/ft 3 3W/ft 10 10W/ft 4 4W/ft 6 6W/ft 7 7W/ft 8 8W/ft 9 9W/ft																														
5 Color Temp		6 Finish		7 Voltage	8 Length																														
27 2700K-83 279 2700K-90+ 30 3000K-83 309 3000K-90+ 35 3500K-83 359 3500K-90+ 40 4000K-83 409 4000K-90+		HW high reflectance matte white BT black texture ST silver texture <i>For other RAL color, consult factory</i>		120/277	<table border="1"> <thead> <tr> <th colspan="2">Length A</th> <th colspan="2">Length B</th> <th colspan="2">Length C</th> </tr> </thead> <tbody> <tr> <td>- all patterns</td> <td>- all patterns</td> <td>- all patterns</td> <td>- all patterns</td> <td>- PU</td> <td>- PZ</td> </tr> <tr> <td>- IND</td> <td>- PR (2 lengths of 2)</td> <td></td> <td></td> <td></td> <td></td> </tr> <tr> <td>- CON</td> <td></td> <td></td> <td></td> <td></td> <td></td> </tr> </tbody> </table>			Length A		Length B		Length C		- all patterns	- all patterns	- all patterns	- all patterns	- PU	- PZ	- IND	- PR (2 lengths of 2)					- CON									
Length A		Length B		Length C																															
- all patterns	- all patterns	- all patterns	- all patterns	- PU	- PZ																														
- IND	- PR (2 lengths of 2)																																		
- CON																																			
9 Configuration	10 Drivers/Controls																																		
IND ¹ individual fixture, 2' to 8' (5W minimum at 2') CON continuous run > than 8' in 1' increments Standard Patterns (see pg 6 for details) PLL L left, (2) straights + (1) 90° corner, leg right PLR L right, (2) straights + (1) 90° corner, leg left PU U shape, (3) straight lengths + (2) 90° corners PR Rectangle shape, (4) straight lengths + (4) 90° corners	0-10V 1% electronic dimming, multi-volt, 120-277VAC, constant current (standard) HILUME-H-ECO Lutron LDE1 Hi-lume® 1% dim Soft-On/Fade-to-Black DALI DALI dimming 120-277VAC, 1% dim																																		
11 Options/Accessories																																			
LVRHW straight blade louver, high reflectance white LVRBT straight blade louver, black texture LVRST straight blade louver, silver texture (Louvers are used in conjunction with lens) UL uplight (20%) UL8 uplight (8%) ENLS Enlighted Sensor (0-10V driver only) PF ² Extra power feed for emergency circuit or additional circuiting EMB emergency battery pack (not available for lengths under 4')																																			

[†] The "A" refers to the sequential revision in a year and "XX" refers to the year of update. Updates coincide with improved performance while not changing the overall fixture aesthetic and are reflected in the published performance data. Please contact your Amerlux representative for explanations of changes.

¹ Lengths less than 4' may have restrictions based upon wattage, lengths, drivers or other options.

² Not available with IND (individual) configuration.

Producer

Linear Pendant



PROJECT:

TYPE:

Specifications

Application

Pendant direct symmetric or batwing lens distribution for aisle, shelving or general ambient lighting. Optional 20% uplight component adds a feeling of volume to the space.

Construction

One piece extruded aluminum housing. Die-cast End Plates match fixture body finish. Die-formed, cold-rolled steel internal components are protected against rust and corrosion.

Optical

All lenses are snap-in, extruded acrylic, with a maximum length of 8'.

DL - Designer Lens provides flat even glow on lens. Best when lens is in direct or constant view. Such as vertical wall mounted.

BAT60 - 60° batwing distribution for wide light distribution.

BAT80 - 80° batwing distribution for very wide light distribution.

Optional:

LVRxx - Straight Blade Louver direct, fits over DL, BAT60, or BAT80 lenses for increased shielding. Available in (**HW**) High reflectance White, (**BT**) Black Textured and (**ST**) Silver Textured.

UL - Optional uplight component (12" every 4'-0"). Shares driver with downlight component and creates an 80% down/20% up fixture. (*Wattage remains constant*)

UL8 - Optional uplight component (4" every 4'-0"). Shares driver with downlight component and creates an 92% down/8% up fixture. (*Wattage remains constant*)

LED

Amerlux's boards and patented connector design with brand name LEDs enables Amerlux fixtures to have excellent thermal management and offer a 5 year warranty. Our LED binning is within 3 MacAdam ellipse. Boards are configured for maximum flexibility resulting in even illumination no matter what the fixture layout. LED boards are easily replaced in the field with just a Phillips screw driver.

Color Temperature Options: 2700K, 3000K, 3500K, 4000K

CRI: 83 typical, 90+ typical

R9: 16 @ CRI 83; **R9:** >50 @ CRI 92

Life: 50,000+ hr., > 70% of initial lumens (L70)

Electrical

Wiring: Individual and "Beginning of Run" (**BOR**) fixtures are wired with power cord. All configurations have quick connect power harnesses for wire connections.

Standard Wattage: 5W/ft, 10W/ft.

Optional Wattages: 3W/ft, 4W/ft, 6W/ft, 7W/ft, 8W/ft, 9W/ft. (3W & 4W have a minimum length of 4'). For other wattages consult factory.

Emergency circuit via remote inverter or auxiliary emergency power supply (*by others*).

This product complies with IEEE C62.41 for surge endurance up to 2.5KV.

Amerlux® recommends using additional surge protection with this unit (supplied by others), surge over voltage damage is not covered under warranty.

PF - Extra power feed for additional circuiting. Not available for individual (**IND**) configuration

Finish

All painted surfaces are premium powder coated baked on for maximum durability and color stability.

HW - High reflective matte White

BT - Black Texture

ST - Silver Texture

For special paint colors supply RAL and/or actual paint chip for factory consultation.

Configurations/Lengths

IND - Individual fixtures are made of single standard lengths of 2 ft to 8 ft.

These are stand alone fixtures with matching End Caps, supplied with the mounting hardware. Lengths less than 4' may have restrictions based upon wattage, lengths, drivers or other options.

CON - Continuous runs, > 8', specified to nearest whole foot length in 1' increments. Runs made from standard lengths have End Caps at the beginning and end of run. Runs > 60' may require second power feed. Each Housing has factory installed alignment pins. Mating fixtures are easily aligned and joined with "catch and latch" mechanism out of sight, on top of the Housing. Wiring is made fast and positive with molded quick connectors.

PXX - Standard Patterns consist of 90° corners with standard lengths (4' to 8' in 1' increments) for lit sections of pattern, continuous runs. Depending upon complexity of the pattern drawings may be required from the customer. If ordering please give overall lengths.

A'-B'-PLL - L Left - (1) 90° Corner (2) segments. Specify overall segments: A' & B'

A'-B'-PLR - L Right - (1) 90° Corner (2) segments. Specify overall segments: A' & B'

A'-B'-PR - Rectangle - (4) 90° Corners joining (4) segments. Specify overall segments: A' & B'

A'-B'-C'-PU - U shape - (2) 90° Corners joining (3) segments. Specify overall segments: A', B', & C'

See page 6 for layouts.

Please note: Corners are not lit.

Mounting

Intended to be pendant mounted Individual fixtures or in continuous rows.

Standard or custom patterns consult factory

PROD-A16 - Direct pendant in center of ceiling tile or gypsum board ceiling (*standard*).

Cable Suspension: Cable is stranded stainless steel wire. All fittings are protected against rust and corrosion. Canopies are 5" x 1/4" die formed painted steel. Adjustment mechanism allows for infinite height adjustment. Amerlux recommends the required feed and non-feed suspensions based upon length and electrical options.

Options

EMB - Emergency battery pack - 10W output power, 90 min of illumination time, up to 1300 lm of initial light output. Illuminated test switch/charging indicator light is provided. Wattage consumption by EM: 2.5W/ft (4ft fixture), 1.66W/ft (6ft fixture), 1.25W/ft (8ft fixture). Request can be made to light up 4ft section on 8ft unit.

Certifications

Approved to UL standards for damp locations as tested by CSA.

Intended for indoor use only

Warranty

Amerlux's 5 year limited warranty. Please consult Amerlux website for details.

Producer

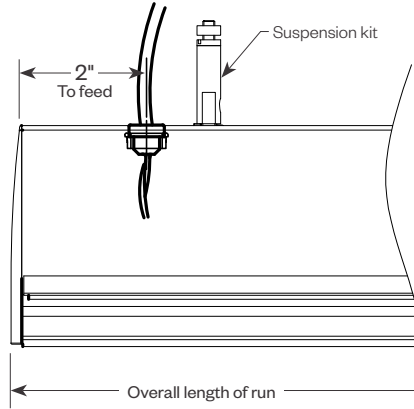
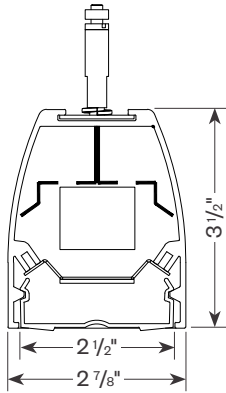
Linear Pendant



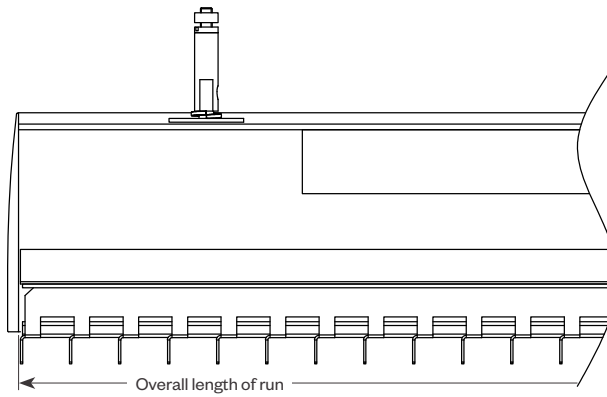
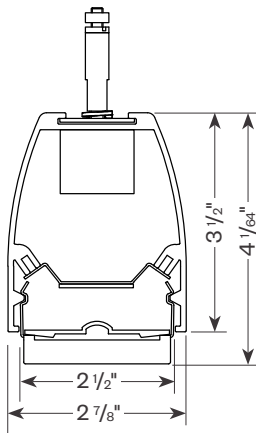
PROJECT:

TYPE:

Product Details

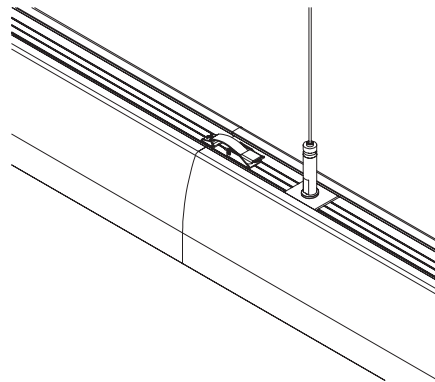
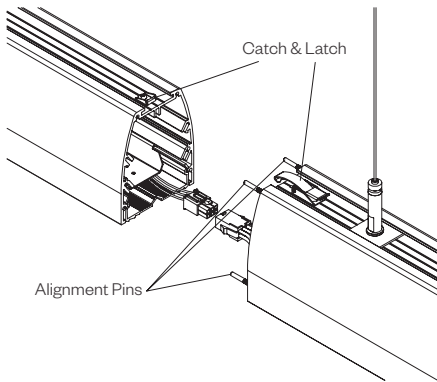


With Louver



Tool-less Joining

Line up the two housings by using the alignment pins. Secure them together by using the Catch & Latch System on the top on the extrusion.



Producer

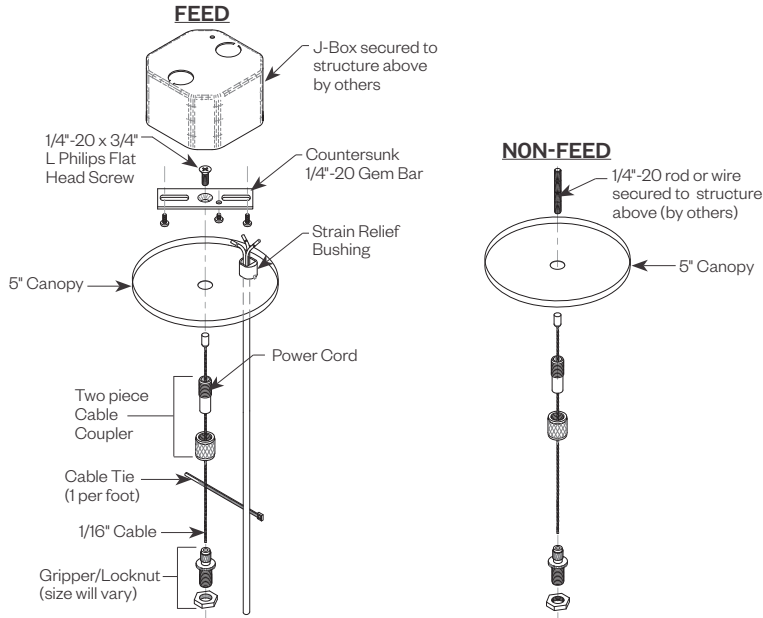
Linear Pendant



PROJECT:

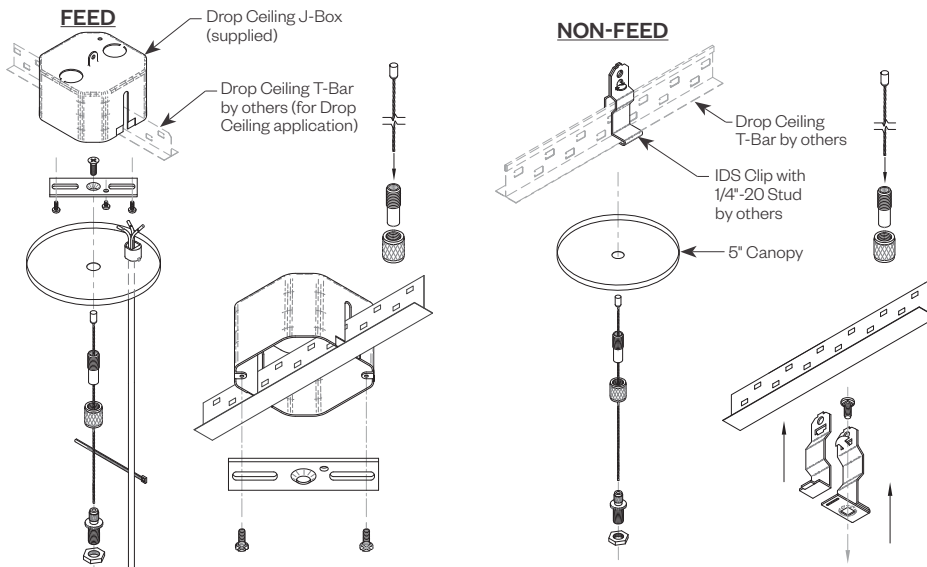
TYPE:

Cable Kit Suspension - Ceiling or Gypsum Board (ASW10, ASW20, ASB10, ASB20)



Cat#	Length	Cord/Canopy	Application
ASW10	10'	white/white	ceiling tile/gypsum
ASW20	20'	white/white	ceiling tile/gypsum
ASB10	10'	black/black	ceiling tile/gypsum
ASB20	20'	black/black	ceiling tile/gypsum
ASW10T	10'	white/white	ceiling tee
ASW20T	20'	white/white	ceiling tee
ASB10T	10'	black/black	ceiling tee
ASB20T	20'	black/black	ceiling tee

Tee Grid or Screw Slot (ASW10T, ASW20T, ASB10T, ASB20T)



Producer

Linear Pendant



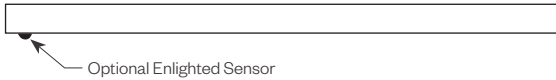
PROJECT:

TYPE:

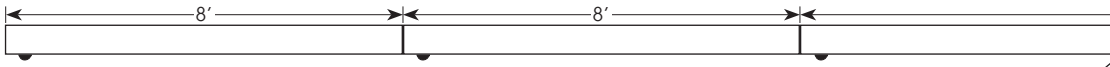
Optional Enlighth Sensor

Amerlux® and Enlighth have partnered to create building environments that are safer, and smarter, than ever before. At the heart of our partnership is Enlighth's Smart Sensor, the most advanced digital sensor available today. Integrated into Amerlux products, the sensor seamlessly collects and communicates dense data on building security, occupancy, performance, environmental conditions, ambient light levels, temperature, and energy consumption. This intelligence provides building managers with unprecedented guidance on cost savings and site-planning efficiencies. Enlighth Sensor (ENLS) is available with 0-10V driver only. Minimum run length is 4'. Enlighth power pack is provided with ENLS option.

4 FT OR 8 FT



RUNS

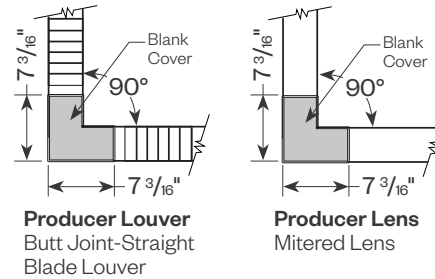


Producer Patterns

Standard Patterns

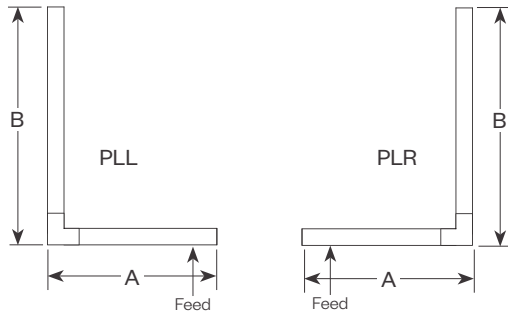
1. All corners are 90°, standard length legs of 7 3/16".
2. All lit sections use standard lengths: 4' min to 8' in 1 foot increments.
3. Continuous runs must be the same length in pairs for closed configuration.

Overall pattern dimensions consist of 7 3/16" corner(s) + standard length lit sections.

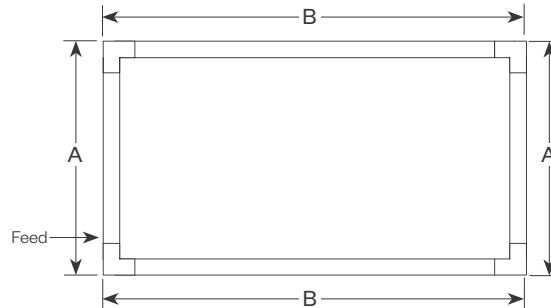


Producer Louver
Butt Joint-Straight
Blade Louver

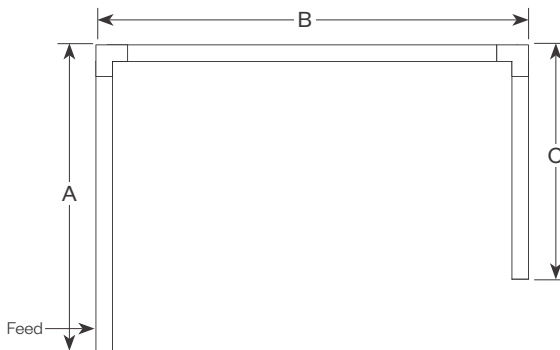
Producer Lens
Mitered Lens



PLL - L Left, (2) straights + (1) 90° corner, leg right
PLR - L Right, (2) straights + (1) 90° corner, leg left
 Provide overall lengths: A' & B'
 Nomenclature: A-B-PLL A-B-PLR



PR - Closed Rectangle, (4) straight lengths + (4) 90° corners
 Provide overall lengths: A' & B'
 Nomenclature: A-B-PR



PU - Open U, (3) straight lengths + (2) 90° corners
 Provide overall lengths: A', B' & C'
 Nomenclature: A-B-C-PU

Producer

Linear Pendant



PROJECT:

TYPE:

Performance Data

Multiplying Factors: (Multiplying Factor is based on 3500K-83 120V IES file on website)

Wattage:	3W	4W	5W	6W	7W	8W	9W	10W
Factor:	0.36	0.46	0.56	0.66	0.76	0.85	0.93	1.0

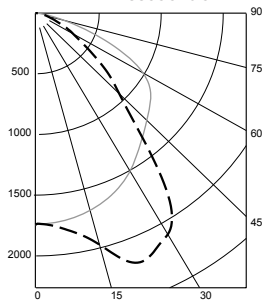
CCT:	2700K-83	3000K-83	3500K-83	4000K-83	2700K-90+	3000K-90+	3500K-90+	4000K-90+
Factor:	0.91	0.96	1.0	1.01	0.80	0.84	0.88	0.89

PRODUCER DIRECT, BAT60, 10W 3500K 4FT

Total Watts: 38; Total Lumens: 5,016

Source: 128 White LED's

LTL# 13360049.01



ZONAL LUMEN SUMMARY

Zone	Lumens	%Fixt
0-40	2739	54.6
0-60	4452	88.8
0-90	5016	100.00
90-180	0	0.00

Efficacy = 132.4 Lumens /Watt

COEFFICIENTS OF UTILIZATION

Effective Floor Cavity Reflectance 20%

RC	80			
RW	70	50	30	10
RCR				
0	119	119	119	119
1	110	106	103	99
2	102	94	88	83
3	93	84	77	71
4	86	75	67	61
5	79	68	59	53
6	74	61	53	47
7	68	55	47	41
8	64	51	43	37
9	59	47	39	33
10	56	43	35	30

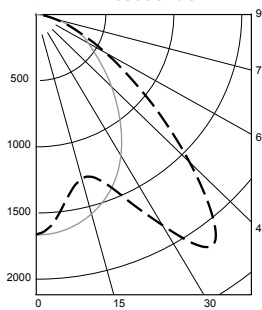
Note: Values expressed as percent of total lumen output delivered to the task surface.

PRODUCER DIRECT, BAT80, 10W 3500K 4FT

Total Watts: 38; Total Lumens: 4,886

Source: 128 White LED's

LTL# 13360049.02



ZONAL LUMEN SUMMARY

Zone	Lumens	%Fixt
0-40	2124	43.5
0-60	4079	83.5
0-90	4886	100.00
90-180	0	0.00

Efficacy = 129.2 Lumens /Watt

COEFFICIENTS OF UTILIZATION

Effective Floor Cavity Reflectance 20%

RC	80			
RW	70	50	30	10
RCR				
0	119	119	119	119
1	109	105	101	97
2	100	92	85	79
3	91	80	72	66
4	83	71	62	56
5	76	63	54	48
6	70	57	48	41
7	65	51	42	36
8	60	46	38	32
9	56	42	34	28
10	52	39	31	26

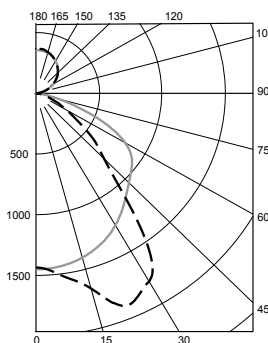
Note: Values expressed as percent of total lumen output delivered to the task surface.

PRODUCER DIRECT, BAT60, 10W 3500K 4FT W/UPLIGHT

Total Watts: 38; Total Lumens: 5,266

Source: 128 White LED's (Direct) and 24 White LED's (Indirect)

LTL# 13402658.01



ZONAL LUMEN SUMMARY

Zone	Lumens	%Fixt
0-40	2310	43.9
0-60	3754	71.3
0-90	4222	80.2
90-180	1044	19.8

Efficacy = 141.0 Lumens /Watt

COEFFICIENTS OF UTILIZATION

Effective Floor Cavity Reflectance 20%

RC	80			
RW	70	50	30	10
RCR				
0	114	114	114	114
1	106	102	98	95
2	97	90	84	79
3	89	80	73	67
4	82	71	63	57
5	76	64	56	50
6	70	58	49	44
7	65	52	44	39
8	60	48	40	34
9	56	44	36	31
10	53	40	33	28

Note: Values expressed as percent of total lumen output delivered to the task surface.

Producer

Linear Pendant



PROJECT:

TYPE:

Performance Data *(continued)*

Multiplying Factors: *(Multiplying Factor is based on 3500K-83 120V IES file on website)*

Wattage:	3W	4W	5W	6W	7W	8W	9W	10W
Factor:	0.63	0.82	1.0	1.17	1.34	1.50	1.64	1.79

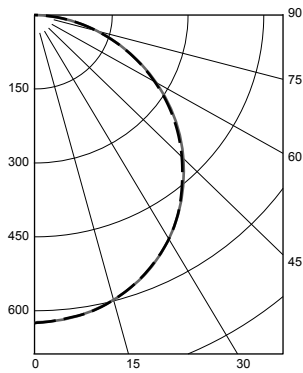
CCT:	2700K-83	3000K-83	3500K-83	4000K-83	2700K-90+	3000K-90+	3500K-90+	4000K-90+
Factor:	0.91	0.96	1.0	1.01	0.80	0.84	0.88	0.89

PRODUCER, SYMMETRICAL, 5W 3500K 4FT

Total Watts: 19; Total Lumens: 1,795

Source: 128 White LED's

LTL# 13170267.27



ZONAL LUMEN SUMMARY

Zone	Lumens	%Fixt
0-40	791	44.1
0-60	1395	77.7
0-90	1795	100.0
90-180	0	0.0

Luminaire Efficacy = 92.9 lm/w

COEFFICIENTS OF UTILIZATION

RC	80			
RW	70	50	30	10
RCR				
0	119	119	119	119
1	108	104	99	95
2	98	90	83	77
3	90	79	71	64
4	82	70	61	54
5	75	62	53	46
6	70	56	47	41
7	65	51	42	36
8	60	46	38	32
9	56	43	34	29
10	53	39	31	26

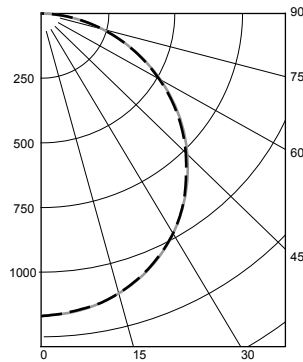
Note: Values expressed as percent of total lumen output delivered to the task surface.

PRODUCER, SYMMETRICAL, 10W 3500K 4FT

Total Watts: 39; Total Lumens: 3,358

Source: 128 White LED's

LTL# 13170267.28



ZONAL LUMEN SUMMARY

Zone	Lumens	%Fixt
0-40	1480	44.1
0-60	2611	77.7
0-90	3358	100.0
90-180	0	0.0

Luminaire Efficacy = 88.7 lm/w

COEFFICIENTS OF UTILIZATION

RC	80			
RW	70	50	30	10
RCR				
0	119	119	119	119
1	108	104	99	95
2	98	90	83	77
3	90	79	71	64
4	82	70	61	54
5	75	62	53	46
6	70	56	47	41
7	65	51	42	36
8	60	46	38	32
9	56	43	34	29
10	53	39	31	26

Note: Values expressed as percent of total lumen output delivered to the task surface.

Producer

Linear Pendant



PROJECT:

TYPE:

Static White - Dimming Compatibility

Amerlux® Linea® fixtures are compatible with all major dimming protocols prevalent in the United States. Please see below for general compatibilities and wiring diagrams. Amerlux recommends testing your unique dimming configuration as the exact full configuration (*Dimmer, Fixture Quantity, Voltage, etc*) may affect dimming performance.

--- NOTE: INFORMATION BELOW IS FOR WIRED DIMMERS ONLY. FOR WIRELESS DIMMERS, CONSULT FACTORY ---

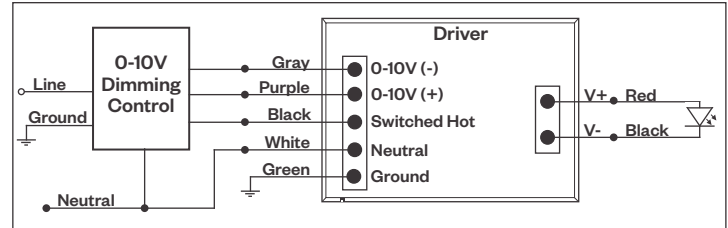
0-10V - DIMMING (Standard)

Integrates into a variety of building management and daylighting controls

Notes:

- 120V or 277V*
- Dims down to 1% light output
- Requires interface to turn off power to driver
- Consult Dimming manufacturer for installation instructions - **DO NOT SHARE NEUTRALS!**

0-10V Wiring Diagram



Compatible Dimmers*:

Wall Box			Central System
Lutron:	Wattstopper:	Leviton:	Lutron Grafikx Eye with GRX-TV1 Interface
Diva - DVSTV	ADF-120277	Renoir II	
Maestro - MS-Z101			
Nova-T - NTSTV-DV			

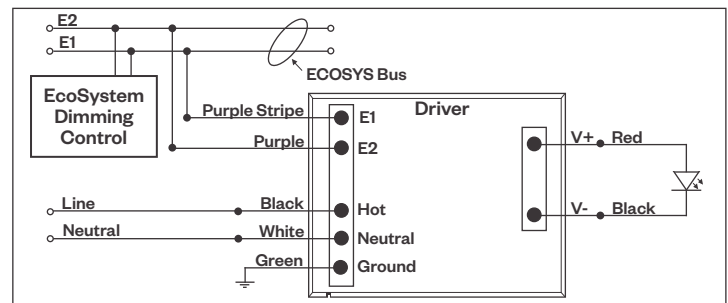
LUTRON LDE1 DIMMING

Integrates into Lutron EcoSystem building management

Notes:

- 120VAC or 277VAC*
- Dims down to 1% Soft-On/Fade-to-Black
- EcoSystem Control
- Consult Dimming manufacturer for installation instructions - **DO NOT SHARE NEUTRALS!**

LDE1 (HILUME-H-ECO) EcoSystem Digital Control Wiring Diagram



Compatible Dimmers*:

Lutron ECO System	Central System
Pow Pak Dimming Modules	Lutron EcoSystem compatible controls
Energi Savr Node	
Grafik Eye QS/Homeworks	
QS Control Unit	
Quantum Hub	
Homeworks QS/My Room	

Notes:

* Driver is 277VAC dimmable with appropriate dimmer (*by others*). All provided wiring diagrams show 120VAC wiring colors and method. Please refer to 277VAC dimmer installation instructions for 277VAC wiring diagrams.

† The absence of a dimmer from the lists above does not imply incompatibility. Please consult factory for compatibility inquiries.

Producer

Linear Pendant



PROJECT:

TYPE:

Static White - Dimming Compatibility *(continued)*

Amerlux® Linea® fixtures are compatible with all major dimming protocols prevalent in the United States. Please see below for general compatibilities and wiring diagrams. Amerlux recommends testing your unique dimming configuration as the exact full configuration (*Dimmer, Fixture Quantity, Voltage, etc*) may affect dimming performance.

--- NOTE: INFORMATION BELOW IS FOR WIRED DIMMERS ONLY. FOR WIRELESS DIMMERS, CONSULT FACTORY ---

DALI - DALI DIMMING 120V-277V

Digital control protocol allows individual fixture control

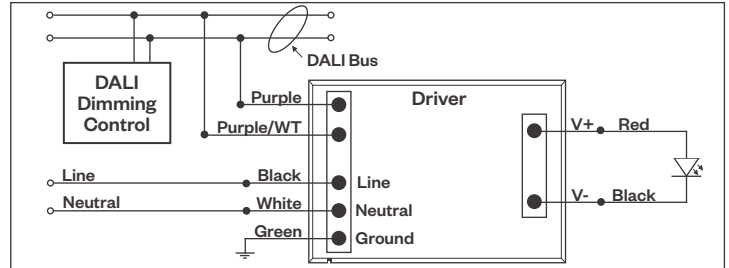
Notes:

- 120VAC - 277VAC*
- Dims down to 1% light output in most cases

Compatible Dimmers*:

Wall Box	Central System
Leviton CD250 Controller	Dynalite
	Fifth Light

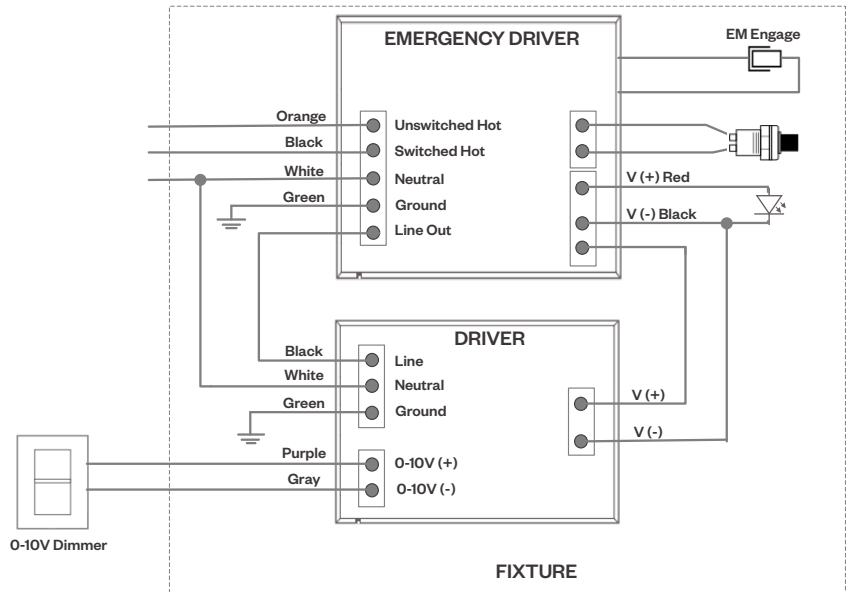
DALI Wiring Diagram



Emergency Fixture with Built-In Battery Pack

Emergency fixture with built-in battery pack (**EMB**) wiring:

Note: EMB not available on lengths under 4'.



Notes:

* Driver is 277VAC dimmable with appropriate dimmer (*by others*). All provided wiring diagrams show 120VAC wiring colors and method. Please refer to 277VAC dimmer installation instructions for 277VAC wiring diagrams.

† The absence of a dimmer from the lists above does not imply incompatibility. Please consult factory for compatibility inquiries.