

PRODUCER

INTERNATIONAL SYMMETRICAL LINEAR LED

I-PROD-SYM
LED

APPLICATIONS:

Ambient, aisle and display lighting

CONSTRUCTION:

One piece extruded aluminum housing
Die-formed cold rolled steel internal wiring chassis
High reflectance white finish. For other finishes, consult factory

OPTICS:

5w/ft or 10w/ft, 3500K LED's standard
Other color temps available
Extruded white acrylic lens, snap-in, 8' maximum section
Amerlux exclusive white acrylic lens provides excellent transmission while effectively concealing lamp image
Optional uplight component (12" every 4'-0"). Shares driver with downlight and creates an 80% dwn/20% up fixture. (Wattage remains constant)

ELECTRICAL:

Electronic, multi-volt (240v) constant current driver
Dimmable, 0-10v

This product complies with IEEE C62.41 for surge endurance up to 3KV. Amerlux recommends using additional surge protection with this unit (supplied by others), surge damage is not covered by warranty.

MOUNTING:

Choice of individual or continuously row-mounted
Aircraft cable suspension

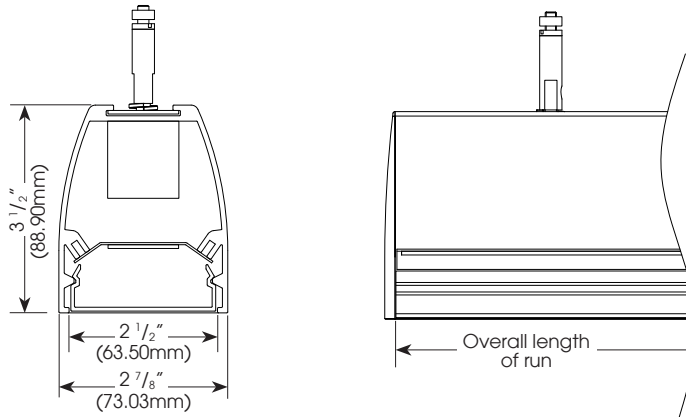
LABELING:

CE pending



PROJECT:

TYPE:



ELECTRICAL

Driver	Wattage per foot	240v	4'		8'	
			Input watts	Amps	Input watts	Amps
Electronic	5	240v	22.3	0.09	41.9	0.17
	10	240v	42.1	0.18	84.2	0.35

ORDERING INFORMATION:

Model	Mounting	Wattage Per Foot	Lamp Type	Driver	Finish	Length	Voltage	Configuration	Color Temp	Listing Code	Options
I-PROD-SYM - symmetrical diffuse lens	ASW5 - aircraft cable with white straight feed (3 wire), 5ft	5 10	LED	E - electronic	HW - high reflectance white ___ - other finish, consult factory	4 - 4' 8 - 8' (Runs in 4' increments)	240	IND - individual BOR - beginning of run MOR - middle of run EOR - end of run	2700 3000 3500 4000	CE	LVR - straight blade louver UL - uplight

3 year limited warranty
AMERLUX INTERNATIONAL
(see website for details)

Example: I-PROD-SYM-ASW5-10-LED-E-HW-4-240-IND-3000-CE

Cat #:

Amerlux® reserves the right to change details that do not affect overall function and performance.



PRODUCER

INTERNATIONAL SYMMETRICAL LINEAR LED

I-PROD-SYM
LED



TYPE:

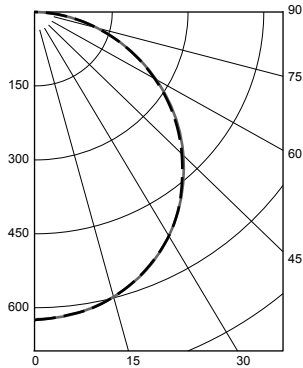


FIXTURE DATA:

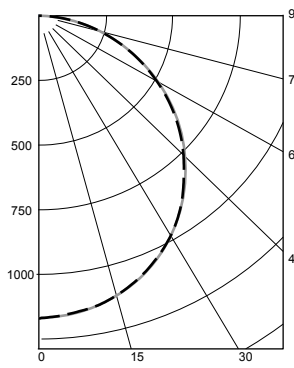
PRODUCER, SYMMETRICAL, 5W 3500K 4FT
Total Watts: 19; Total Lumens: 1,795
Source: 128 White LED's

PRODUCER, SYMMETRICAL, 10W 3500K 4FT
Total Watts: 39; Total Lumens: 3,358
Source: 128 White LED's

LTL# 13170267.27



LTL# 13170267.28



ZONAL LUMEN SUMMARY

Zone	Lumens	%Fixt
0-40	791	44.1
0-60	1395	77.7
0-90	1795	100.0
90-180	0	0.0

ZONAL LUMEN SUMMARY

Zone	Lumens	%Fixt
0-40	1480	44.1
0-60	2611	77.7
0-90	3358	100.0
90-180	0	0.0

Luminaire Efficacy = 92.9 lm/w

Luminaire Efficacy = 88.7 lm/w

COEFFICIENTS OF UTILIZATION

RC	RW			
	70	50	30	10
80				
RCR				
0	119	119	119	119
1	108	104	99	95
2	98	90	83	77
3	90	79	71	64
4	82	70	61	54
5	75	62	53	46
6	70	56	47	41
7	65	51	42	36
8	60	46	38	32
9	56	43	34	29
10	53	39	31	26

COEFFICIENTS OF UTILIZATION

RC	RW			
	70	50	30	10
80				
RCR				
0	119	119	119	119
1	108	104	99	95
2	98	90	83	77
3	90	79	71	64
4	82	70	61	54
5	75	62	53	46
6	70	56	47	41
7	65	51	42	36
8	60	46	38	32
9	56	43	34	29
10	53	39	31	26

Note: Values expressed as percent of total lumen output delivered to the task surface.

Note: Values expressed as percent of total lumen output delivered to the task surface.