



AMERLUX[®]
LIGHTING SOLUTIONS

ADAPT. ABILITY.™

INSTALLATION INSTRUCTIONS

SHEET #: 689-0385

Sheet 1 of 6

SPEC. SHEET
REFERENCE:

(SHEETS 1-3) LS35I T5, T5HO, T8 PENDANT 1- & 2-lamp (2-lamp T5/T5HO shown here)
(SHEETS 4-6) LS35I LED PENDANT
CABLE MOUNTED INDIVIDUAL FIXTURES OR CONTINUOUSLY ROW MOUNTED

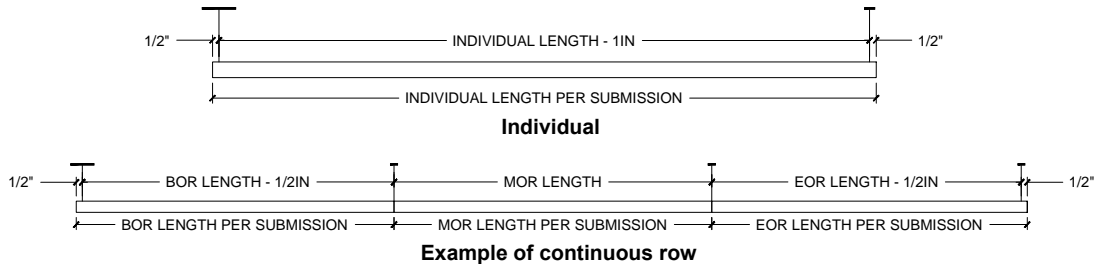
WARNING - RISK OF FIRE AND ELECTRICAL SHOCK. FIXTURE MUST BE INSTALLED BY A QUALIFIED ELECTRICIAN ONLY. FIXTURE IS INTENDED FOR INSTALLATION IN ACCORDANCE WITH THE NATIONAL ELECTRICAL CODE, LOCAL AND FEDERAL SPECIFICATIONS. DISCONNECT POWER AT ELECTRICAL PANEL BEFORE SERVICING .
RETAIN THESE INSTRUCTIONS FOR MAINTENANCE REFERENCE.

Pre-installation Note:

Supplied by others: - 4" octagonal junction boxes

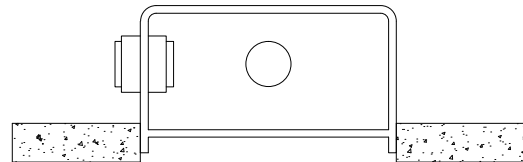
Supplied by Amerlux: - canopies
- suspension cable

Suspension points for fixtures are:

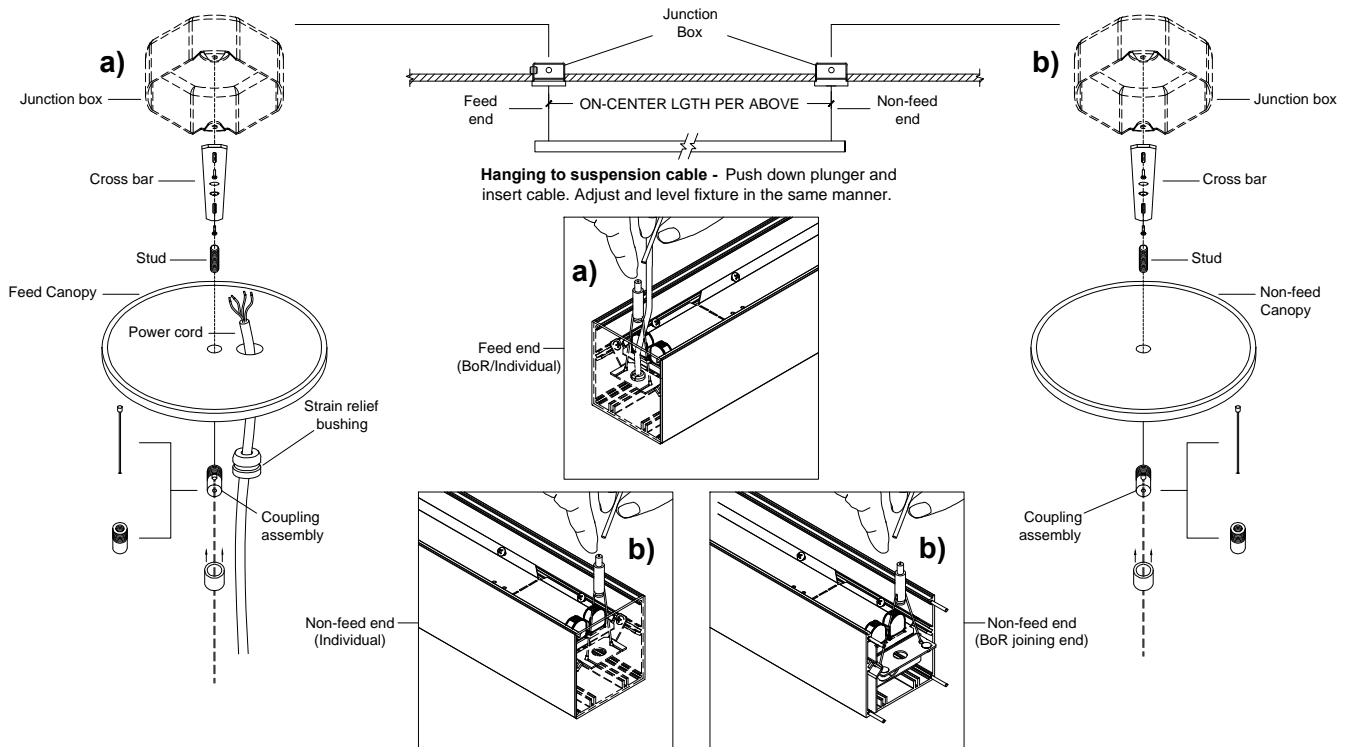


Refer to general contractor/ electrician layout for proper location of mounting points/ locations for junction boxes.

1. Install junction box(es) - The junction box should be regressed as shown to make sure that the canopy cover sits flush with the ceiling when install is finished.

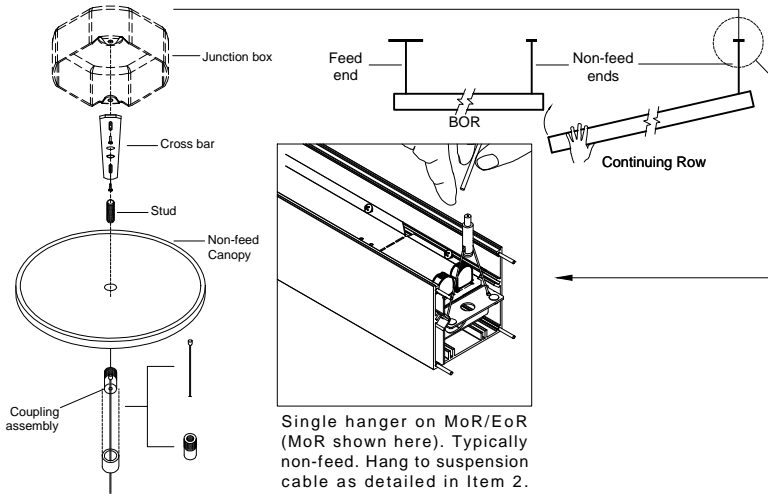


2. Individual and Beginning of Run (BoR) Install:

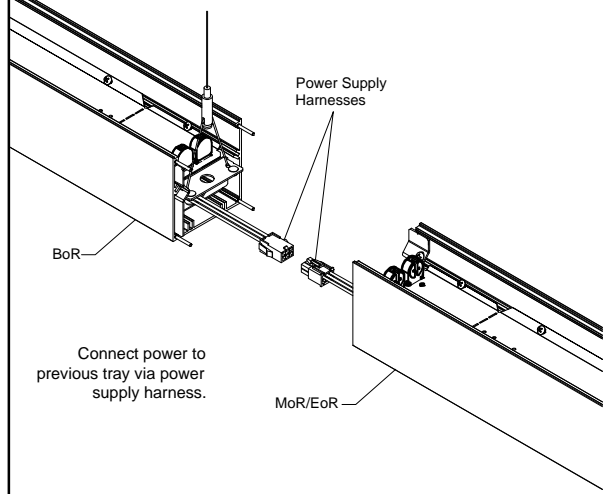




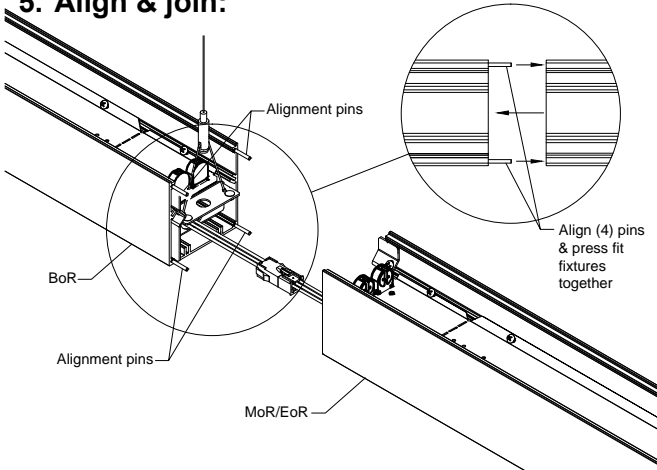
3. Hang MoR/EoR:



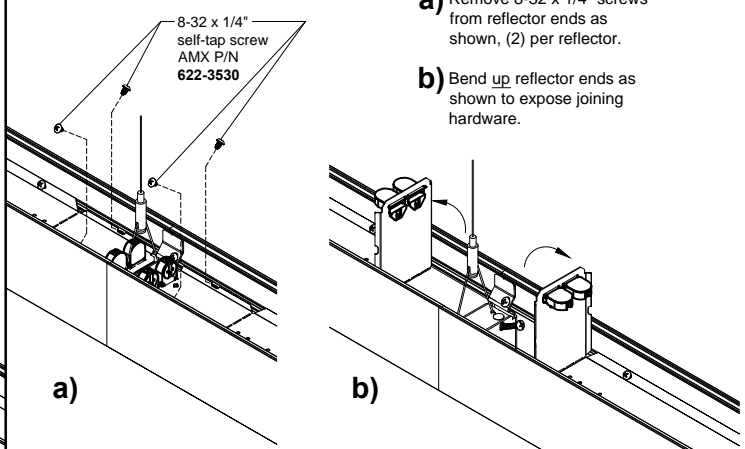
4. Connect power:



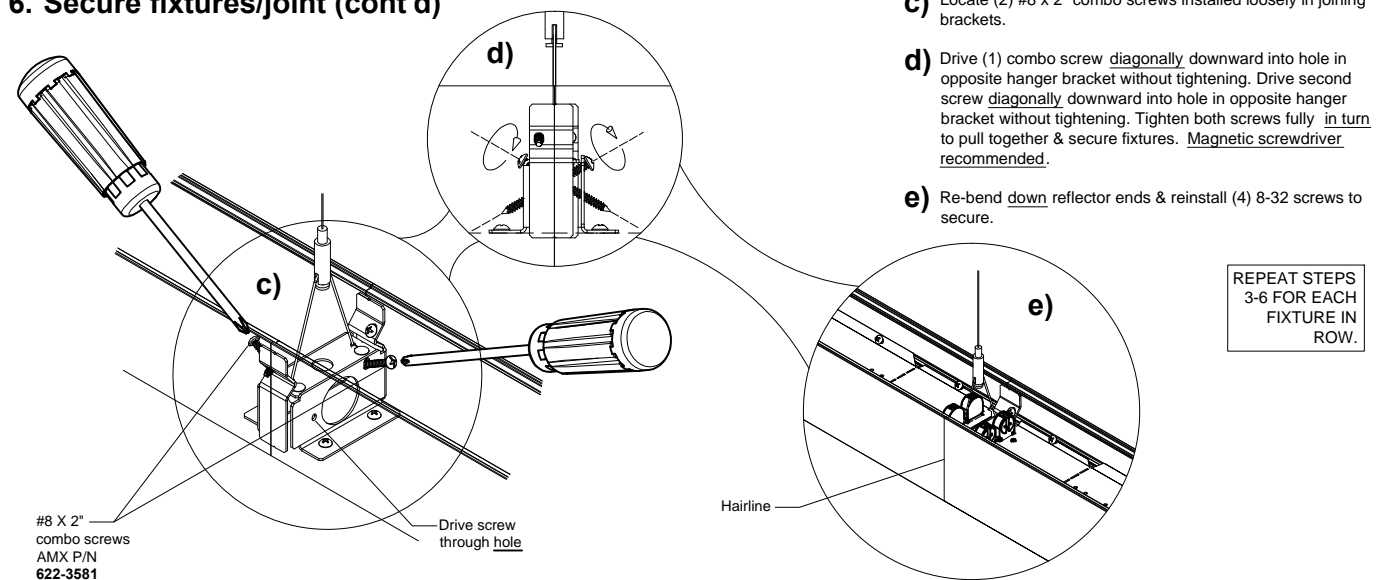
5. Align & join:



6. Secure fixtures/joint



6. Secure fixtures/joint (cont'd)



REPEAT STEPS
3-6 FOR EACH
FIXTURE IN
ROW.

MAKE SURE TO DISCONNECT ALL ELECTRICAL CONNECTIONS BEFORE RELAMPING.

Amerlux, LLC. - 178 Bauer Drive, Oakland, NJ 07436 - T: 973-882-5010 - F: 973-882-2605

www.amerlux.com



7. Lamping and ballast access

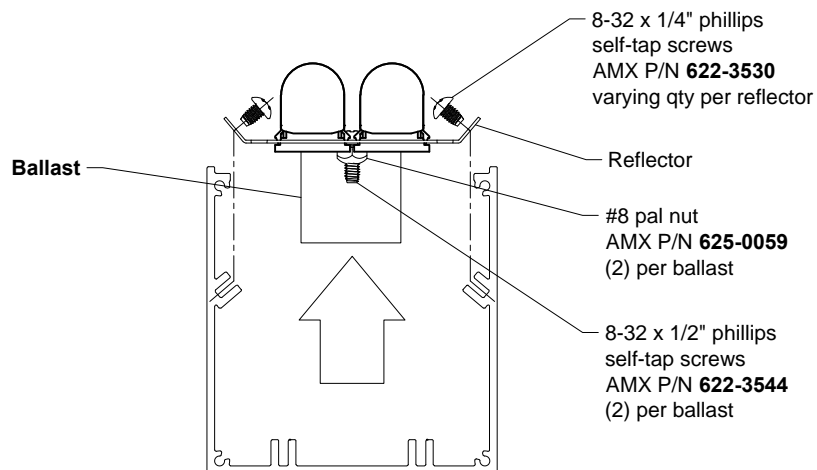
WARNING: MAKE SURE TO DISCONNECT ALL ELECTRICAL CONNECTIONS BEFORE RELAMPING OR SERVICING.

1.) Install correct lamps.

See relamping label on reflector for the correct wattage.

2.) Ballast maintenance.

Ballasts are secured to underside of reflector with (2) 8-32 screws & (2) #8 pal nuts.
Remove reflector screws as shown below to access.



MAKE SURE TO DISCONNECT ALL ELECTRICAL CONNECTIONS BEFORE RELAMPING.

Amerlux, LLC. - 178 Bauer Drive, Oakland, NJ 07436 - T: 973-882-5010 - F: 973-882-2605

www.amerlux.com

LS35I LED PENDANT

CABLE MOUNTED INDIVIDUAL FIXTURES OR CONTINUOUSLY ROW MOUNTED

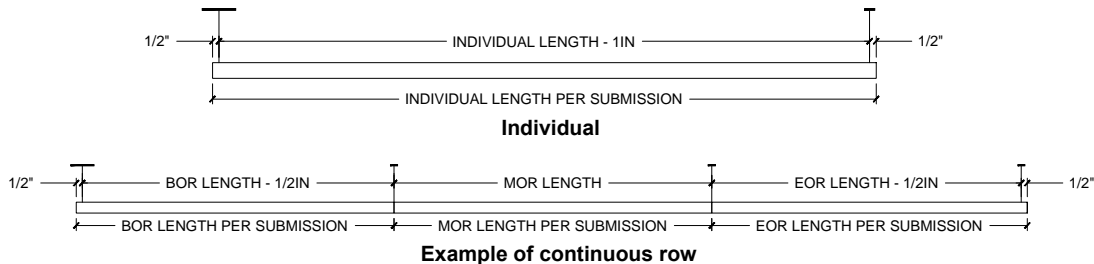
WARNING - RISK OF FIRE AND ELECTRICAL SHOCK. FIXTURE MUST BE INSTALLED BY A QUALIFIED ELECTRICIAN ONLY. FIXTURE IS INTENDED FOR INSTALLATION IN ACCORDANCE WITH THE NATIONAL ELECTRICAL CODE, LOCAL AND FEDERAL SPECIFICATIONS. DISCONNECT POWER AT ELECTRICAL PANEL BEFORE SERVICING .
RETAIN THESE INSTRUCTIONS FOR MAINTENANCE REFERENCE.

Pre-installation Note:

Supplied by others: - 4" octagonal junction boxes

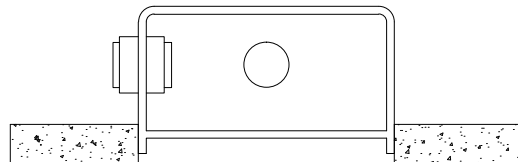
Supplied by Amerlux: - canopies
- suspension cable

Suspension points for fixtures are:

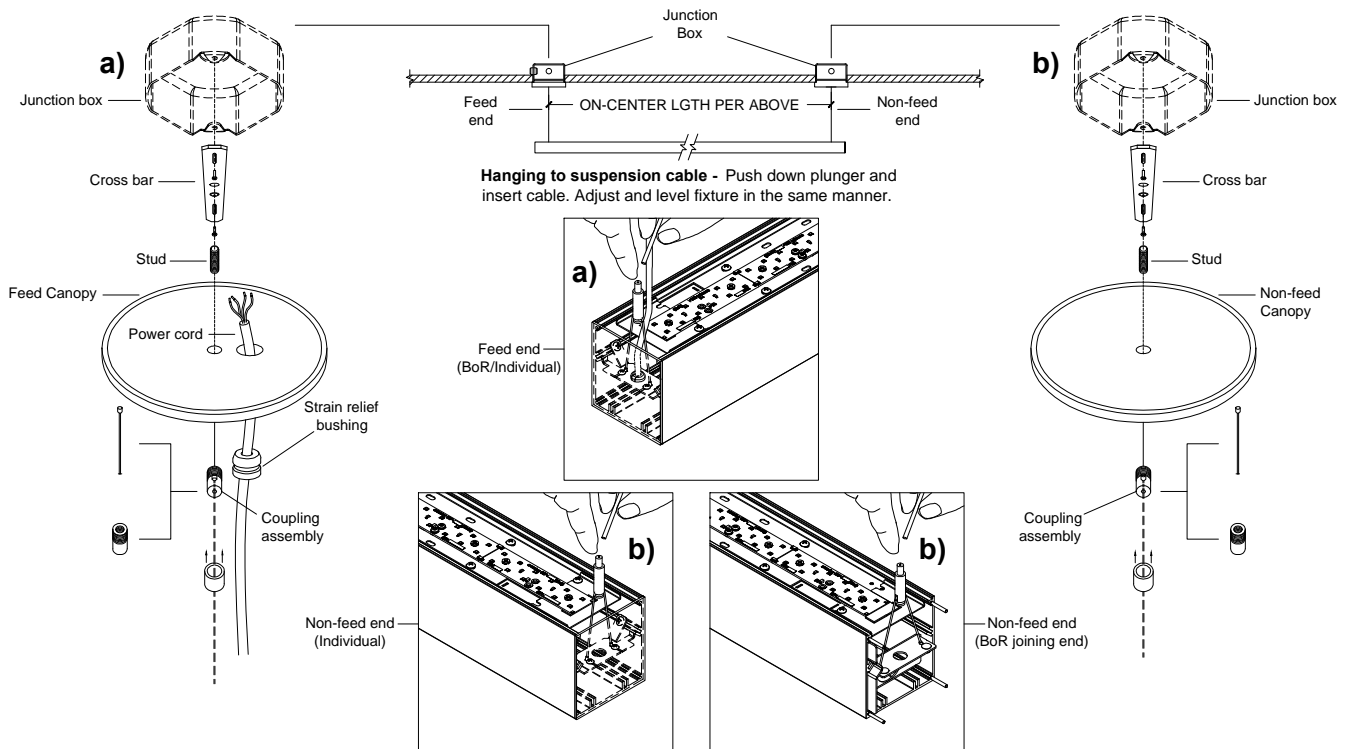


Refer to general contractor/ electrician layout for proper location of mounting points/ locations for junction boxes.

1. Install junction box(es) - The junction box should be regressed as shown to make sure that the canopy cover sits flush with the ceiling when install is finished.

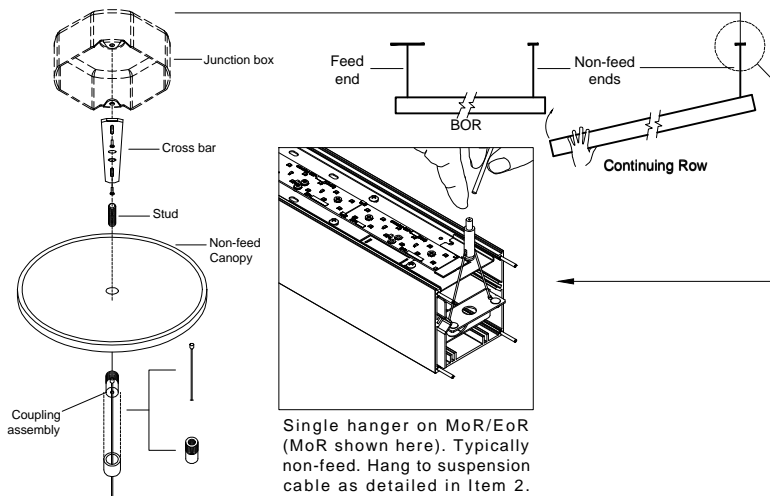


2. Individual and Beginning of Run (BoR) Install:

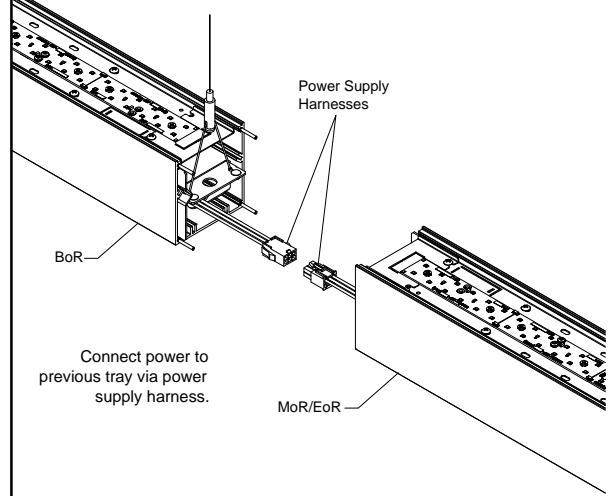




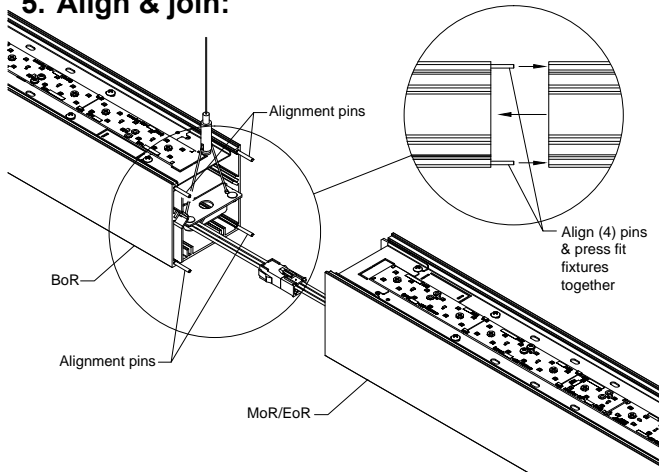
3. Hang MoR/EoR:



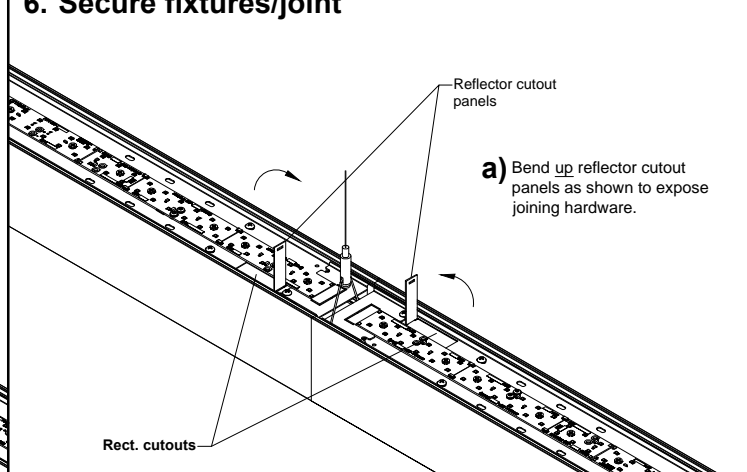
4. Connect power:



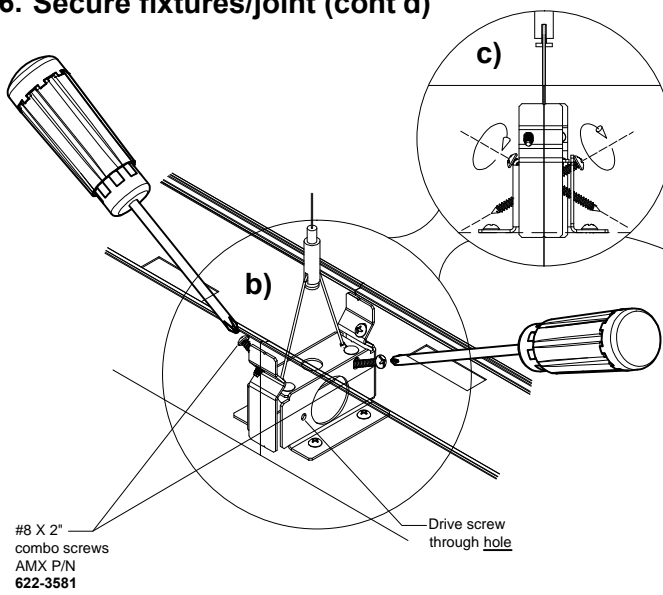
5. Align & join:



6. Secure fixtures/joint

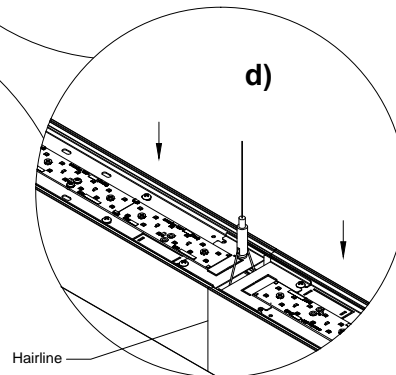


6. Secure fixtures/joint (cont'd)



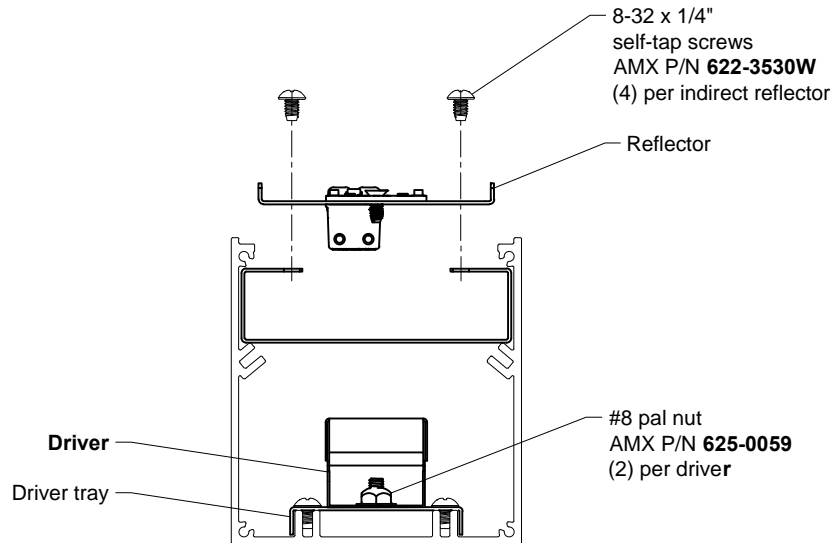
- b)** Through rect. cutouts in reflectors, locate (2) #8 x 2" combo screws installed loosely in joining brackets.
- c)** Drive (1) combo screw diagonally downward into hole in opposite hanger bracket without tightening. Drive second screw diagonally downward into hole in opposite hanger bracket without tightening. Tighten both screws fully in turn to pull together & secure fixtures.
- d)** Rebend down reflector cutout panels.

REPEAT STEPS
3-6 FOR EACH
FIXTURE IN
ROW.





7. Reflector removal (only required to access driver)



WARNING: Electrostatic and polarity sensitive device. Use caution while handling and wiring.

1.) LED Fixture:

Consult Amerlux for LED maintenance.

2.) LED Replacement:

For LED board replacement reference 689-0394 Instruction Sheet.

3.) Driver maintenance:

Drivers are located on tray beneath indirect reflectors, (1) driver per tray, secured by (2) #8 pal nuts. Remove the reflector mounting screws to access. For **programmable** driver replacement please specify: **Manufacturer, Model No.** and **Current Setting** (mA). For drivers with **external** resistors, keep driver resistor value during driver maintenance or replacement.

See 710-0134 Wiring Schematic for more details.

MAKE SURE TO DISCONNECT ALL ELECTRICAL CONNECTIONS BEFORE SERVICING.

Amerlux, LLC. - 178 Bauer Drive, Oakland, NJ 07436 - T: 973-882-5010 - F: 973-882-2605

www.amerlux.com