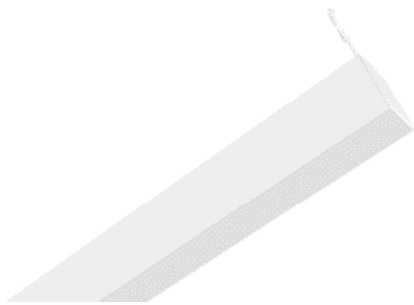


# Linea 2.5"

## Linear Indirect LED



### Features

Linea 2.5" drives your design scenario, seamlessly. Streamlined and flexible, these architectural LED pendants provide the freedom to create truly dynamic spaces. A synthesis of aesthetics, performance and energy efficiency, the Linea family delivers on its promises. Linea 2.5" complements our Gruv 2.5" products.

### Product Overview

Type:	Cable Suspended or Wall Mounted Indirect	
Wattage:	5W/ft, 10W/ft (other wattages available see p2)	
Color Temp:	2700K, 3000K, 3500K, 4000K; Tunable White (2700K-5700K)	
CRI:	83 or 90+ typ. (2700K, 3000K, 3500K, 4000K) 90+ (Tunable White)	
Dimming (wired):	Static White	Tunable White
	0-10V, 1% dimming (standard)	0-10V TW, 1% dimming
	Lutron LDE1 Hi-lume® 1% Soft-On/Fade-to-Black	DALI DT8, 1% digital dimming
	DALI dimming, 1% dim	
Dimming (wireless):	Enlighted Sensor	Enlighted Sensor TW
	Lutron Athena (integral wireless RF node)	Lutron Athena TW (integral wireless RF node)
Fixture Weight:	7.5 lbs (4ft fixture)	

### PROJECT:

### TYPE:

### Fixture Summary *(see following pages for more information)*

#### Performance Chart (4' Fixture)

Nominal Wattage/Foot	Delivered Lumens	LPW	Color Temp-CRI
5	2354	117.7	3500K-83
10	4441	132.8	3500K-83

*Data is based on 3500K-83 IES files available on website  
Data is based on 4' fixture with Upper Clear lens*

#### Runs

Individual Runs: 2' - 8' *(whole foot standard)*

Continuous Runs: Available *(whole foot standard)*

Custom: Made to measure available (nearest 1/8" of field dimensions).

*Requires approval drawings. Added cost & lead time.*

#### Electrical Data

Wattage Per Foot		4'		8'	
		System Watts	Amps	System Watts	Amps
5	120V	17	0.14	34.1	0.28
	277V	17	0.06	34.1	0.12
10	120V	33.4	0.28	66.9	0.56
	277V	33.4	0.12	66.9	0.24

*Electronic multi-volt (120-277VAC), constant current LED driver*

#### Standard Patterns

" L "	" J "	" U "	" □ "	" Z "	Wall to Ceiling	Custom*
Yes	Yes	Yes	Yes	Yes	No	Yes

\*Submit drawing, consult factory



# Linea<sup>®</sup> 2.5" Indirect

Linear Indirect LED



## PROJECT:

## TYPE:

### Ordering Information



**1** Model  
LIN2.5I-A16\*

**2** Optics  
UC - upper clear lens cover (standard)  
BAT - batwing uplight

**3** Mounting (aircraft cable suspension)  
Pendant Mount (aircraft cable suspension)  
ASW10 - through ceiling tile or gyp board, white, 10'  
ASW20 - through ceiling tile or gyp board, white, 20'  
ASB10 - through ceiling tile or gyp board, black, 10'  
ASB20 - through ceiling tile or gyp board, black, 20'  
ASW10T - over ceiling tee, white, 10'  
ASW20T - over ceiling tee, white, 20'  
ASB10T - over ceiling tee, black, 10'  
ASB20T - over ceiling tee, black, 20'

Wall Mount  
WM - wall mount

**4** Wattage (per foot)  
Standard:  
5 - 5W/ft  
10 - 10W/ft  
Optional:  
3 - 3W/ft (4' minimum length required)  
4 - 4W/ft (4' minimum length required)  
6 - 6W/ft  
7 - 7W/ft  
8 - 8W/ft  
9 - 9W/ft

**5** Color Temp-CRI  
Static White:  
27 - 2700K-83      279 - 2700K-90+  
30 - 3000K-83      309 - 3000K-90+  
35 - 3500K-83      359 - 3500K-90+  
40 - 4000K-83      409 - 4000K-90+

Tunable White:  
TW9-2757 - tunable  
white, 90 CRI  
(2700K-5700K)

**6** Finish  
HW - high reflectance matte white  
BT - black texture  
ST - silver texture  
*For other RAL color, consult factory*

**7** Voltage  
120/277

**8** Length

(Length A)	(Length B)	(Length C)
Length A (used for)	Length B (used for)	Length C (used for)
- all patterns	- all patterns	- PU
- IND/IND-S+	- PR - 2 lengths	- PZ
- CON/CON-S+	of 2	
- CUS		

**9** Configuration  
IND<sup>1</sup> - individual fixture, 2' to 8' in 1' increments  
CON - continuous run > than 8', specify to nearest foot  
CUS - custom made to measure, +/- 1/8" of customer supplied field dimensions  
Standard Patterns (see page 6 for details):  
PLL - L left, (2) straights + (1) 90° corner, leg right  
PLR - L right, (2) straights + (1) 90° corner, leg left  
PU - U shape, (3) straight lengths + (2) 90° corners  
PR - Rectangle, (4) straight lengths + (4) 90° corners  
PZ - Z shape, (3) straight lengths + (2) 90° corners  
**For custom patterns, submit EDR on amerlux.com**

**10** Drivers/Controls  
Wired - Static White:  
O-10V - 1% analogue dimming, 120-277VAC, Dim to off when selected with wireless dimming control  
HILUME-H-ECO - Lutron LDE1 Hi-lume<sup>®</sup> 1% Soft-On/Fade-to-Black  
DALI - DALI Dimming 120-277VAC, 1% dim  
Wired - Tunable White:  
O-10V TW - 1% dimming, multi-volt (120V-277V) constant current  
DALI DT8 - 1% digital dimming, OCT control per DALI DT8, (120V-277V) constant current

Wireless - Static White:  
ENLS-SR - Enlighted sensor, energy metering  
ENLS-O10 - Enlighted sensor with controller unit  
AWNR-WH-SR - Lutron Athena wireless node, RF only, white, D4i/DALI-2  
AWNR-BL-SR - Lutron Athena wireless node, RF only, black, D4i/DALI-2  
AWNR-WH-O10 - Lutron Athena wireless node, RF only, white, O-10V  
AWNR-BL-O10 - Lutron Athena wireless node, RF only, black, O-10V  
AWNS-OCC-WH-SR - Lutron Athena wireless node, Occupancy & Daylight sensor, white, D4i/DALI-2  
AWNS-OCC-BL-SR - Lutron Athena wireless node, Occupancy & Daylight sensor, black, D4i/DALI-2  
Wireless - Tunable White:  
ENLS-SR-TW - Enlighted sensor, energy metering  
AWNR-WH-SR-TW - Lutron Athena wireless node, RF only, white, D4i/DALI-2  
AWNR-BL-SR-TW - Lutron Athena wireless node, RF only, black, D4i/DALI-2  
AWNS-OCC-WH-SR-TW - Lutron Athena wireless node, Occupancy & Daylight sensor, white, D4i/DALI-2  
AWNS-OCC-BL-SR-TW - Lutron Athena wireless node, Occupancy & Daylight sensor, black, D4i/DALI-2

**11** Options/Accessories  
EMC-PF<sup>2</sup> - emergency circuit requires power feed located in last fixture section (for other locations consult factory)  
PF<sup>2</sup> - Extra power feed for additional circuiting  
EMB\* - emergency battery pack (not available for lengths under 4')

1 - Lengths less than 4' may have restrictions based upon wattage, lengths, drivers or other options.

2 - Not available with IND (individual) configuration.

\* The "A" refers to the sequential revision in a year and "XX" refers to the year of update. Updates coincide with improved performance while not changing the overall fixture aesthetic and are reflected in the published performance data. Please contact your Amerlux representative for explanations of changes.

# Linea<sup>®</sup> 2.5" Indirect

Linear Indirect LED



## PROJECT:

## TYPE:

### Specifications

#### Application

Open office plan, conference rooms, corridors or any indoor space where even, indirect ambient lighting is desired.

#### Construction

One piece extruded aluminum housing. Die-cast End Plates match fixture body finish. Die-formed, cold-rolled steel internal components are protected against rust and corrosion.

#### Optical

Extruded acrylic lens with a maximum length of 8'.

**UC** - Upper Clear lens cover (standard)

**BAT** - Batwing uplight lens (optional) spreads light directly above fixture. 18" minimum distance between ceiling plane and top of fixture suggested.

#### LED

Amerlux's boards and patented connector design with brand name LEDs enables Amerlux fixtures to have excellent thermal management and offer a 5 year warranty. Our LED binning is within 3 MacAdam ellipse. Boards are configured for maximum flexibility resulting in even illumination no matter the fixture layout. LED boards are easily replaced in the field with just a Phillips screw driver.

Static White	Tunable White
<b>CCT:</b> 2700K, 3000K, 3500K, 4000K	2700K-5700K
<b>CRI:</b> 83 or 90+ typical	90+ (92 typ)
<b>R9:</b> 16 @ CRI 83; >50 @ CRI 90+	>50

**Life:** 50,000+ hr., > 70% of initial lumens (L70)

#### Electrical

**Wiring:** Individual and "Beginning of Run" (BOR) fixtures are prewired with power cord. All configurations have quick connect power harnesses for row connections.

**Standard Wattage:** 5W/ft, 10W/ft.

**Optional Wattages:** 3W/ft, 4W/ft, 6W/ft, 7W/ft, 8W/ft, 9W/ft. (3W & 4W have a minimum length of 4'). For other wattages consult factory.

Emergency circuit via remote inverter or auxiliary emergency power supply (by others).

**This product complies with IEEE C62.41 for surge endurance up to 2.5KV. Amerlux<sup>®</sup> recommends using additional surge protection with this unit (supplied by others), surge and over voltage damage is not covered under warranty.**

**EMC-PF** - Emergency circuit requires power feed to be located in last fixture section for continuous runs. For other locations consult factory. Not available for individual (IND) configuration.

**PF** - Extra power feed for additional circuiting. Not available for individual (IND) configuration.

#### Finish

All painted surfaces are premium powder coated baked on for maximum durability and color stability.

**HW** - High reflective matte White

**BT** - Black Texture

**ST** - Silver Texture

For special paint colors supply RAL and/or actual paint chip for factory consultation.

#### Configurations/Lengths

**IND** - Individual fixtures are made of single standard lengths of 2 ft to 8 ft (in 1' increments). These are stand alone fixtures with matching End Caps, supplied with the mounting hardware. Lengths less than 4' may have restrictions based upon wattage, lengths, drivers or other options.

**CON** - Continuous runs, > 8', specified to nearest whole foot length in 1' increments. Runs made from standard lengths have End Caps at the beginning and end of run. Runs > 60' may require second power feed. Each Housing has factory installed alignment pins. Mating fixtures are easily aligned and joined. Wiring is made fast and positive with molded quick connectors.

**CUS** - Custom made to measure runs are made to nearest 1/8" of customer supplied field measurements or drawings. Custom lengths use the same hardware for hairline joining.

**PXX** - Standard Patterns consist of 90° corners with standard lengths (4' to 8' in 1' increments), continuous runs or made to measure lengths. Depending upon complexity of the pattern drawings may be required from the customer. When ordering please give overall lengths.

**A'-B'-PLL** - L Left - (1) 90° Corner 2 segments. Specify overall segments: A' & B'

**A'-B'-PLR** - L Right - (1) 90° Corner 2 segments. Specify overall segments: A' & B'

**A'-B'-PR** - Rectangle - (4) 90° Corners joining 4 segments. Specify overall segments: A' & B'

**A'-B'-C'-PU** - U shape - (2) 90° Corners joining 3 segments. Specify overall segments: A', B', & C'

**A'-B'-C'-PZ** - Z shape - (2) 90° Corners joining 3 segments. Specify overall segments: A', B', & C'

**See page 6 for layouts.**

**PC** - Custom Patterns may use standard lengths, Made To Measure, 90° or other corners (some limitations). Please provide drawing and consult factory.

#### Mounting

The Linea 2.5 Indirect is intended to be pendant or wall mounted in continuous rows. For indirect lighting Amerlux suggests 18" min from top of fixture to ceiling. Standard or custom patterns available.

**LIN2.5I-A16...ASW10** - Indirect pendant installed in center of ceiling tile or gypsum board ceiling, (standard) i.e. ASW10. Or if canopy is installed on a grid Tee runner add, **T** i.e. ASW10T

**Cable Suspension:** Cable is stranded stainless steel wire. All fittings are protected against rust and corrosion. Canopies are 5" x 1/4" die formed painted steel. Adjustment mechanism allows for infinite height adjustment. Amerlux recommends the required feed and non-feed suspensions based upon length and electrical options. Options include: color of canopy and power cord (black or white), length 10' or 20', and mounting condition, in center of ceiling tile and in gypsum board ceiling (standard) i.e. ASW10. Or if canopy is installed on a grid Tee runner add, **T** i.e. ASW10T

**LIN2.5I-A16...WM** - Indirect Wall Mounted using steel cleat bracket attached to fixture housing and wall bracket with set screws. Two bracket assemblies are used for each length under 8'. A third center bracket may be recommended. J box required at feed locations.

#### Certifications

Approved to UL standards for damp locations as tested by CSA  
Intended for indoor use only

#### Warranty

Amerlux's 5 year limited warranty. Please consult Amerlux website for details.

# Linea<sup>®</sup> 2.5" Indirect

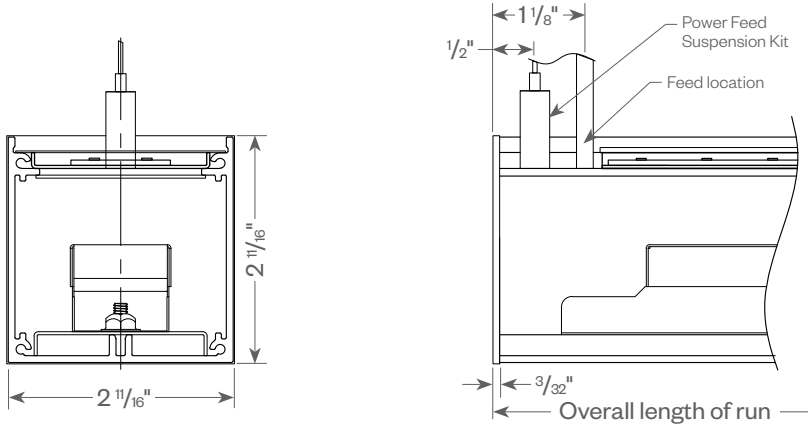
Linear Indirect LED



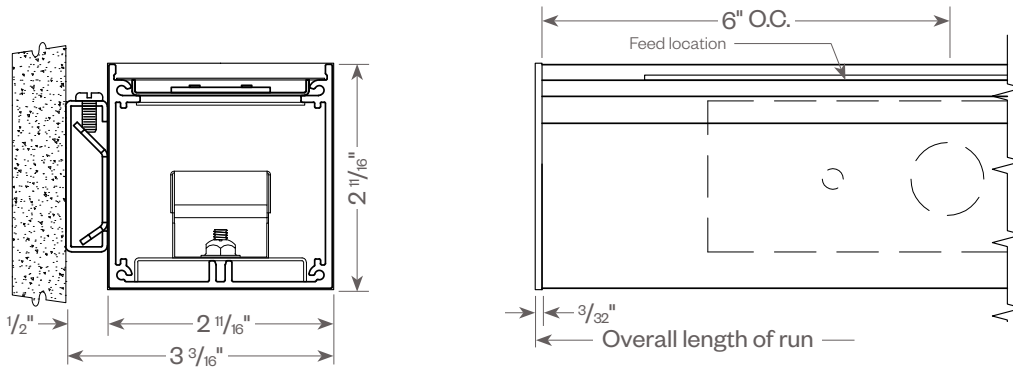
PROJECT:

TYPE:

## LINEA 2.5" INDIRECT



## LINEA 2.5" INDIRECT WALL MOUNT



# Linea<sup>®</sup> 2.5" Indirect

Linear Indirect LED



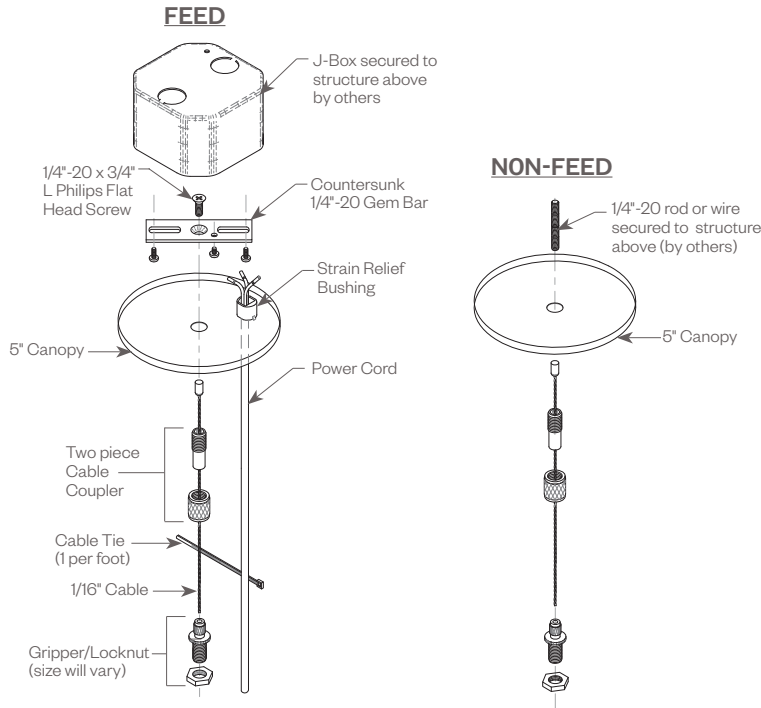
Linea 2.5" Indirect

**PROJECT:**

**TYPE:**

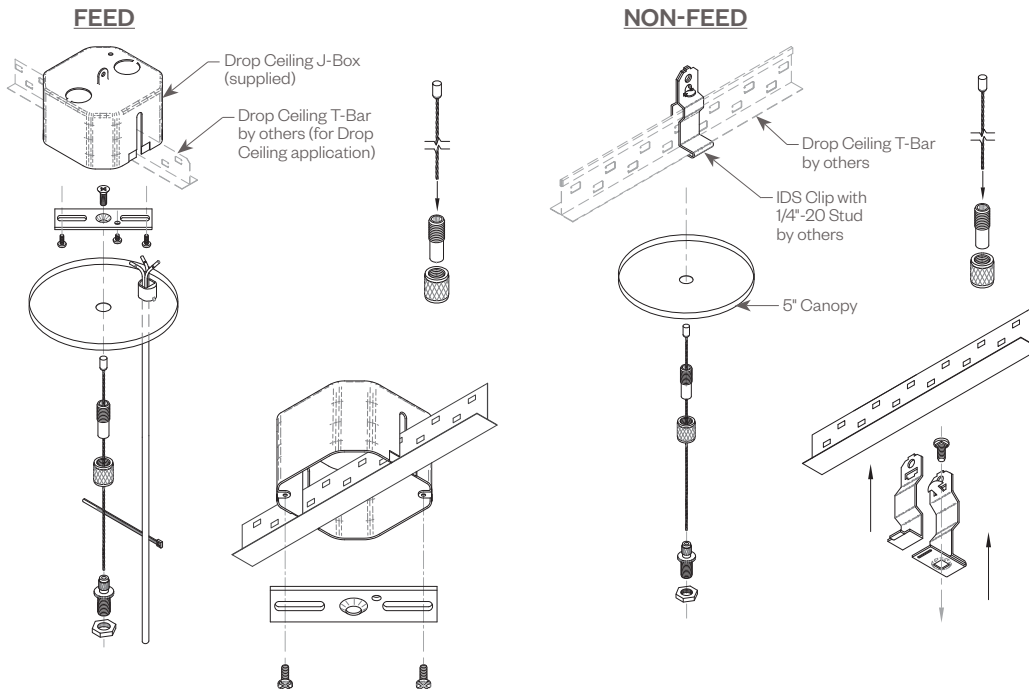
**CABLE KIT SUSPENSION OPTIONS:**

**CEILING OR GYPSUM BOARD (ASW10, ASW20, ASB10, ASB20)**



Cat#	Length	Cord/Canopy	Application
ASW10	10'	white/white	ceiling tile/gypsum
ASW20	20'	white/white	ceiling tile/gypsum
ASB10	10'	black/black	ceiling tile/gypsum
ASB20	20'	black/black	ceiling tile/gypsum
ASW10T	10'	white/white	ceiling tee
ASW20T	20'	white/white	ceiling tee
ASB10T	10'	black/black	ceiling tee
ASB20T	20'	black/black	ceiling tee

**TEE GRID OR SCREW SLOT (ASW10T, ASW20T, ASB10T, ASB20T)**



# Linea<sup>®</sup> 2.5" Indirect

Linear Indirect LED



## PROJECT:

## TYPE:

### OPTIONAL SENSOR/RF NODE:

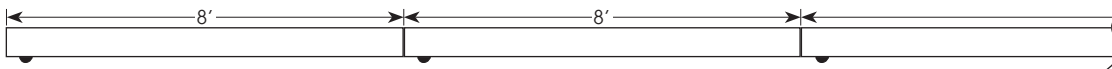
Amerlux<sup>®</sup> has partnered with control companies to create building environments that are safer, and smarter, than ever before. At the heart of our partnership is intelligent RF nodes and Smart Sensor, the most advanced digital wireless communication and sensors available today. Integrated into Amerlux products.

Minimum run length is 3' for wireless sensor and RF node.

### INDIVIDUAL (MIN 3' LENGTH)



### RUNS



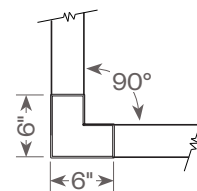
### LINEA 2.5" PATTERNS:

#### Standard Patterns

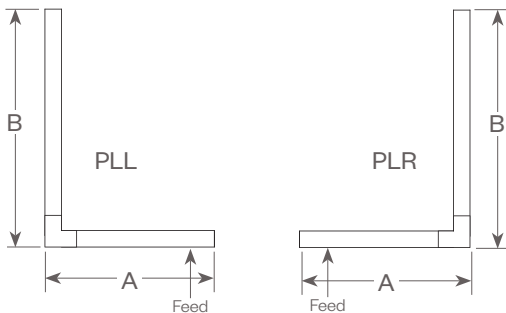
- All corners are standard 90°, standard length legs.
- Use standard lengths: 4' min to 8' in 1 foot increments.
- Continuous runs must be the same length in pairs for closed configuration.

#### Custom Patterns

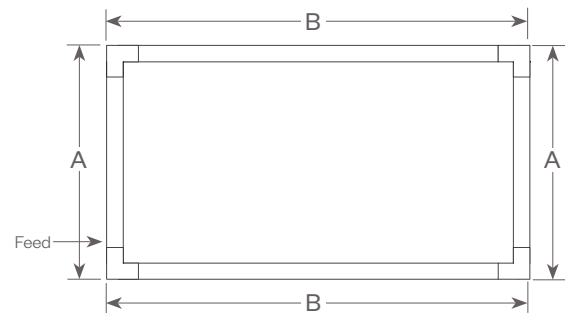
- Please provide drawings of your configuration.
- Made to Measure: +/- 1/8", consult factory.
- PC - custom pattern, please provide drawings and consult factory



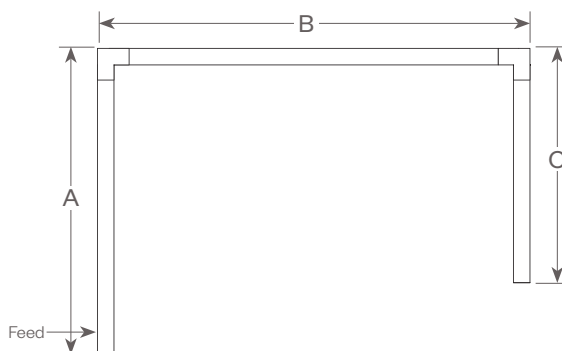
**Linea 2.5 Indirect**  
Solid, not lit



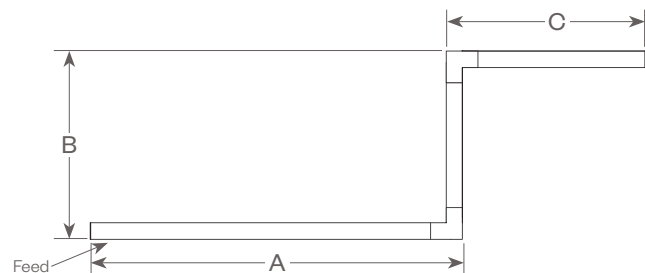
**PLL** - L Left, (2) straights + (1) 90° corner, leg right  
**PLR** - L Right, (2) straights + (1) 90° corner, leg left  
 Provide overall lengths: A' & B'  
 Nomenclature: A-B-PLL    A-B-PLR



**PR** - Closed Rectangle, (4) straight lengths + (4) 90° corners  
 Provide overall lengths: A' & B'  
 Nomenclature: A-B-PR



**PU** - Open U, (3) straight lengths + (2) 90° corners  
 Provide overall lengths: A', B' & C'  
 Nomenclature: A-B-C-PU



**PZ** - Open Z, (3) straight lengths + (2) 90° corners  
 Provide overall lengths: A', B' & C'  
 Nomenclature: A-B-C-PZ

# Linea<sup>®</sup> 2.5" Indirect

Linear Indirect LED



**PROJECT:**

**TYPE:**

**FIXTURE DATA:**

**MULTIPLYING FACTORS:** (Multiplying Factor is based on 3500K-83 120V IES file on website)

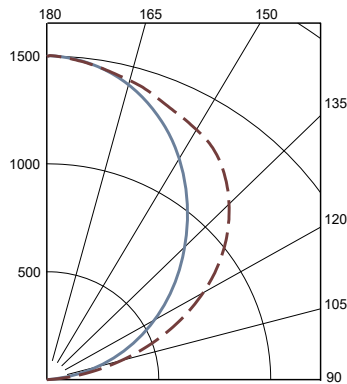
Wattage:	3W	4W	5W	6W	7W	8W	9W	10W
Factor:	0.31	0.42	0.53	0.63	0.72	0.81	0.90	1.0

CCT Factors:					TW9
CRI	2700K	3000K	3500K	4000K	(@3500K)
83	0.92	0.97	1.0	1.02	-
90	0.81	0.84	0.86	0.89	0.86

**LINEA 2.5" INDIRECT UPPER CLEAR LENS 10W 3500K 4FT**

Total Watts: 33  
Total Lumens: 4441  
Source: 120 White LED's

LTL# 1466475714



**ZONAL LUMEN SUMMARY**

Zone	Lumens	%Fixt
0-40	0	0.0
0-60	0	0.0
0-90	0	0.0
90-180	4442	100.0

Efficacy (lumens/watt) = 132.8 lm/W

**COEFFICIENTS OF UTILIZATION**

Effective Floor Cavity Reflectance 20%

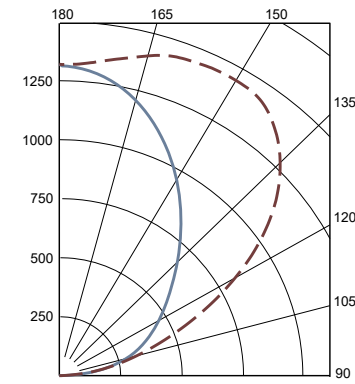
RC	80			
RW	70	50	30	10
ROR				
0	95	95	95	95
1	87	83	79	76
2	79	72	66	62
3	72	63	57	51
4	65	56	48	43
5	60	49	42	36
6	55	44	36	31
7	50	39	32	27
8	47	35	28	23
9	43	32	25	20
10	40	29	22	18

Note: Values expressed as percent of total lumen output delivered to the task surface.

**LINEA 2.5" INDIRECT BATWING LENS 10W 3500K 4FT**

Total Watts: 33  
Total Lumens: 4347  
Source: 120 White LED's

LTL# 1466475713A



**ZONAL LUMEN SUMMARY**

Zone	Lumens	%Fixt
0-40	0	0.0
0-60	0	0.0
0-90	0	0.0
90-180	4347	100.0

Efficacy (lumens/watt) = 130 lm/w

**COEFFICIENTS OF UTILIZATION**

Effective Floor Cavity Reflectance 20%

RC	80			
RW	70	50	30	10
ROR				
0	95	95	95	95
1	87	83	79	76
2	79	72	66	62
3	72	63	57	51
4	65	56	48	43
5	60	49	42	36
6	55	44	36	31
7	50	39	32	27
8	47	35	28	23
9	43	32	25	20
10	40	29	22	18

Note: Values expressed as percent of total lumen output delivered to the task surface.

# Linea<sup>®</sup> 2.5" Indirect

Linear Indirect LED



## PROJECT:

## TYPE:

### STATIC WHITE - DIMMING COMPATIBILITY:

Amerlux<sup>®</sup> Linea fixtures are compatible with all major dimming protocols prevalent in the United States. Please see below for general compatibilities and wiring diagrams. Amerlux recommends testing your unique dimming configuration as the exact full configuration (Dimmer, Fixture Quantity, Voltage, etc) may affect dimming performance.

**--- NOTE: INFORMATION BELOW IS FOR WIRED DIMMERS ONLY. FOR WIRELESS DIMMERS, CONSULT FACTORY ---**

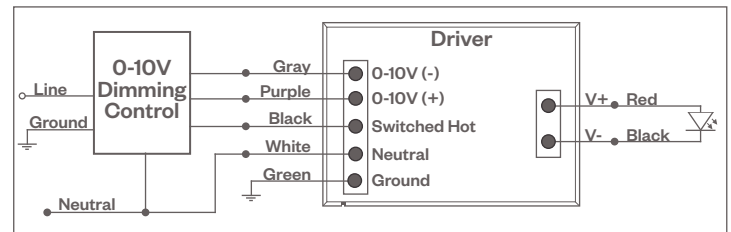
### 0-10V - DIMMING (Standard)

Integrates into a variety of building management and daylighting controls

#### Notes:

- 120V or 277V\*
- Dims down to 1% light output
- Requires interface to turn off power to driver
- Consult Dimming manufacturer for installation instructions - DO NOT SHARE NEUTRALS!

### 0-10V Wiring Diagram



#### Compatible Dimmers\*:

##### Wall Box

<u>Lutron:</u> Diva - DVSTV Maestro - MS-Z101 Nova-T - NTSTV-DV	<u>Wattstopper:</u> ADF-120277	<u>Leviton:</u> Renoir II
--	-----------------------------------	------------------------------

##### Center System

Lutron Grafikx Eye with GRX-TV1 Interface

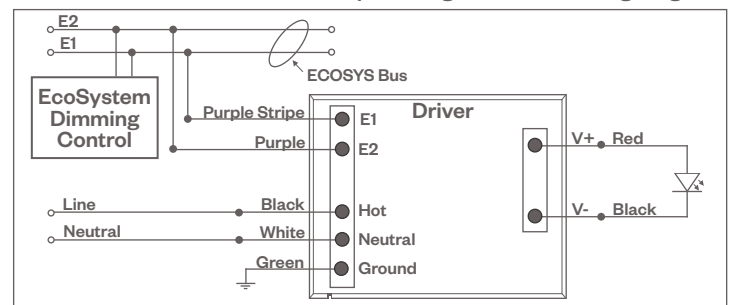
### LUTRON LDE1 DIMMING

Integrates into Lutron EcoSystem building management

#### Notes:

- 120VAC or 277VAC\*
- Dims down to 1% Soft-On/Fade-to-Black
- EcoSystem Control
- Consult Dimming manufacturer for installation instructions - DO NOT SHARE NEUTRALS!

### Lutron LDE1 (HILUME-H-ECO) EcoSystem Digital Control Wiring Diagram



#### Compatible Dimmers\*:

##### Lutron ECO System

Pow Pak Dimming Modules  
Energi Savr Node  
Grafikx Eye QS/Homeworks  
QS Control Unit  
Quantum Hub  
Homeworks QS/My Room

##### Central System

Lutron EcoSystem compatible controls

#### Notes:

\* Driver is 277VAC dimmable with appropriate dimmer (by others). All provided wiring diagrams show 120VAC wiring colors and method. Please refer to 277VAC dimmer installation instructions for 277VAC wiring diagrams.

† The absence of a dimmer from the lists above does not imply incompatibility. Please consult factory for compatibility inquiries.



# Linea<sup>®</sup> 2.5" Indirect

Linear Indirect LED



## PROJECT:

## TYPE:

### STATIC WHITE - DIMMING COMPATIBILITY:

Amerlux<sup>®</sup> Linea fixtures are compatible with all major dimming protocols prevalent in the United States. Please see below for general compatibilities and wiring diagrams. Amerlux recommends testing your unique dimming configuration as the exact full configuration (Dimmer, Fixture Quantity, Voltage, etc) may affect dimming performance.

**--- NOTE: INFORMATION BELOW IS FOR WIRED DIMMERS ONLY. FOR WIRELESS DIMMERS, CONSULT FACTORY ---**

### DALI - DALI DIMMING 120V-277V

Digital control protocol allows individual fixture control

#### Notes:

- 120VAC - 277VAC\*
- Dims down to 1% light output in most cases

#### Compatible Dimmers†:

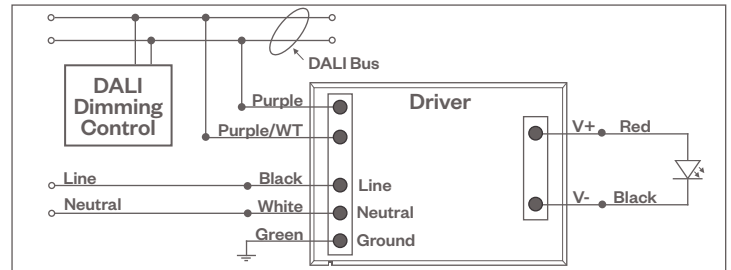
##### Wall Box

Leviton CD250 Contoller

##### Center System

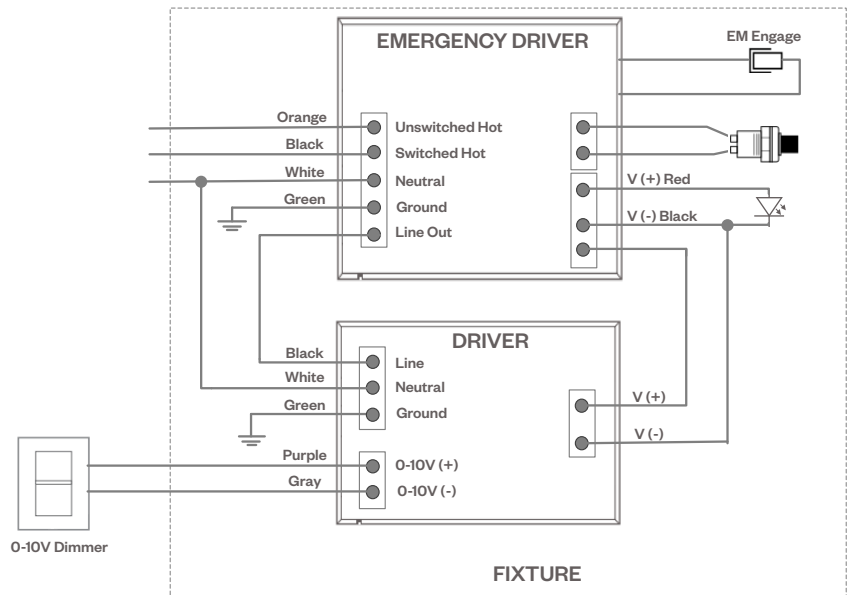
Dynalite  
Fifth Light

### DALI Wiring Diagram



### EMERGENCY FIXTURE WITH BUILT-IN BATTERY PACK (EMB) WIRING:

Note: EMB not available on lengths under 4'.



#### Notes:

\* Driver is 277VAC dimmable with appropriate dimmer (by others). All provided wiring diagrams show 120VAC wiring colors and method. Please refer to 277VAC dimmer installation instructions for 277VAC wiring diagrams.

† The absence of a dimmer from the lists above does not imply incompatibility. Please consult factory for compatibility inquiries.

# Linea<sup>®</sup> 2.5" Indirect

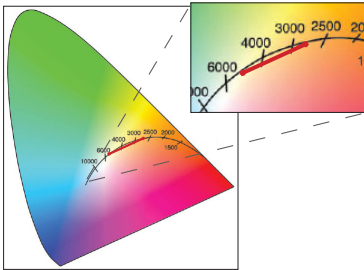
Linear Indirect LED



**PROJECT:**

**TYPE:**

**TUNABLE WHITE**



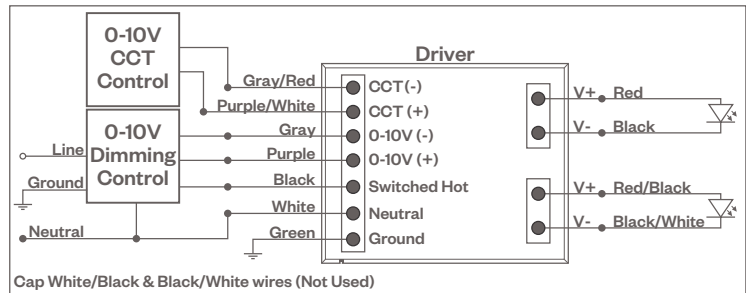
Tunable White range from 2700K-5700K, 90 CRI.  
See wiring diagrams below.

**TUNABLE WHITE - DIMMING COMPATIBILITY:**

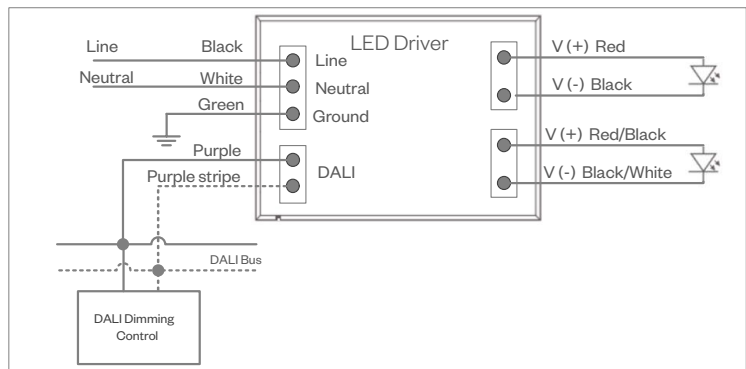
Amerlux<sup>®</sup> Linea fixtures are compatible with all major dimming protocols prevalent in the United States. Please see below for general compatibilities and wiring diagrams. Amerlux recommends testing your unique dimming configuration as the exact full configuration (Dimmer, Fixture Quantity, Voltage, etc) may affect dimming performance.

**--- NOTE: INFORMATION BELOW IS FOR WIRED DIMMERS ONLY. FOR WIRELESS DIMMERS, CONSULT FACTORY ---**

**0-10V Wiring Diagram**



**DALI DT8 Wiring Diagram**



**Notes:**

\* Driver is 277VAC dimmable with appropriate dimmer (by others). All provided wiring diagrams show 120VAC wiring colors and method. Please refer to 277VAC dimmer installation instructions for 277VAC wiring diagrams.

† The absence of a dimmer from the lists above does not imply incompatibility. Please consult factory for compatibility inquiries.