



LIN2.5 I LED PENDANT

CABLE MOUNTED INDIVIDUAL FIXTURES OR CONTINUOUSLY ROW MOUNTED

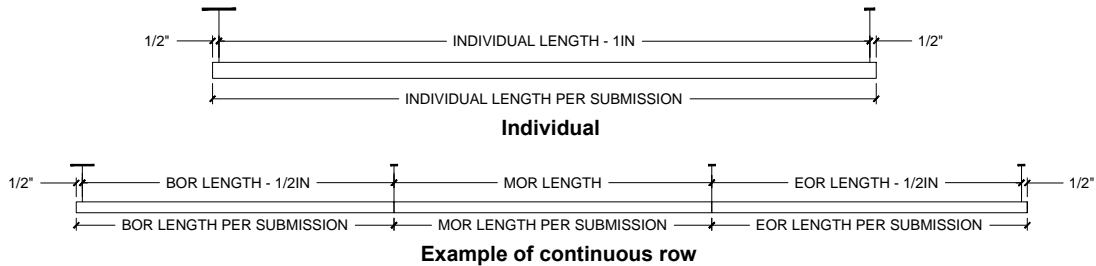
WARNING - RISK OF FIRE AND ELECTRICAL SHOCK. FIXTURE MUST BE INSTALLED BY A QUALIFIED ELECTRICIAN ONLY. FIXTURE IS INTENDED FOR INSTALLATION IN ACCORDANCE WITH THE NATIONAL ELECTRICAL CODE, LOCAL AND FEDERAL SPECIFICATIONS. DISCONNECT POWER AT ELECTRICAL PANEL BEFORE SERVICING .
RETAIN THESE INSTRUCTIONS FOR MAINTENANCE REFERENCE.

Pre-installation Note:

Supplied by others: - 4" octagonal junction boxes

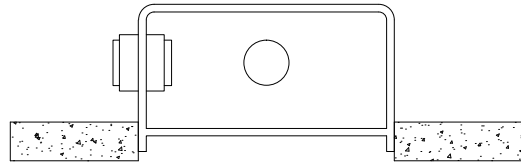
Supplied by Amerlux: - canopies
- suspension cable

Suspension points for fixtures are:

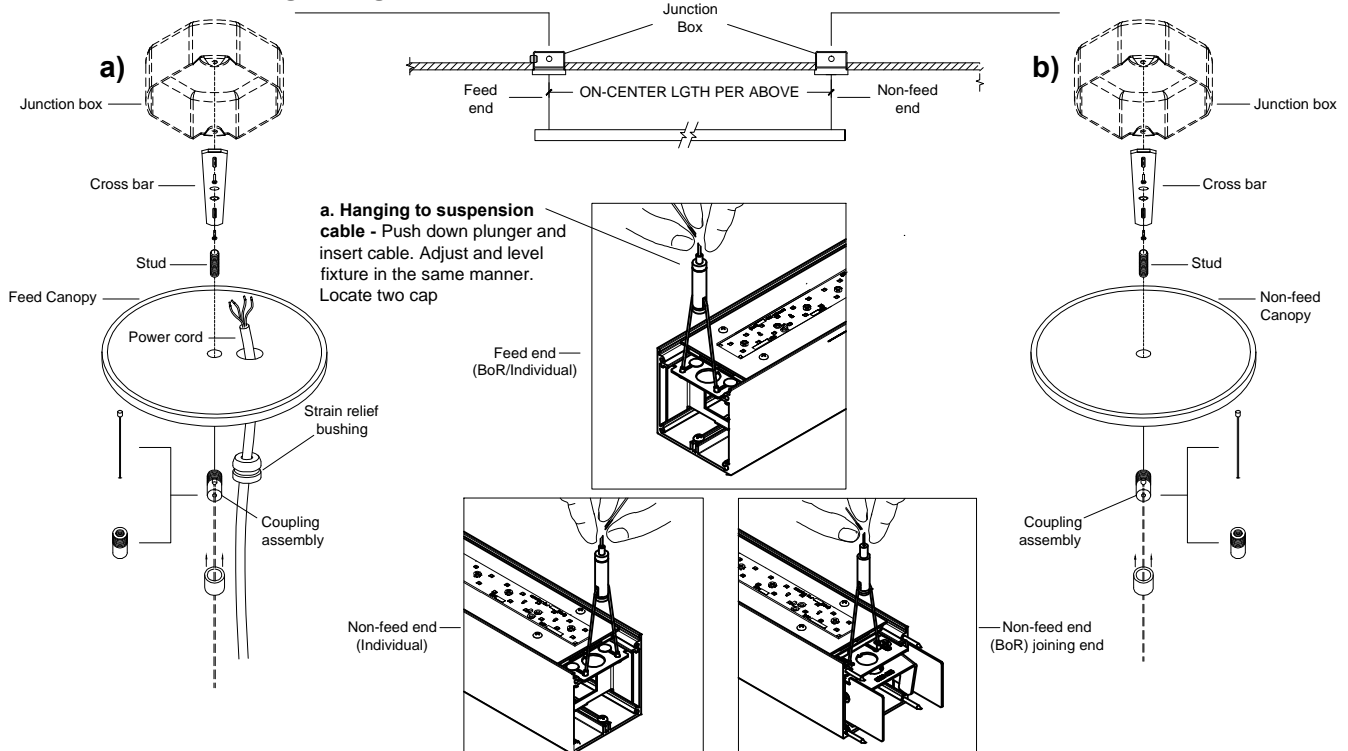


Refer to general contractor/ electrician layout for proper location of mounting points/ locations for junction boxes.

1. Install junction box(es) - The junction box should be regressed as shown to make sure that the canopy cover sits flush with the ceiling when install is finished.

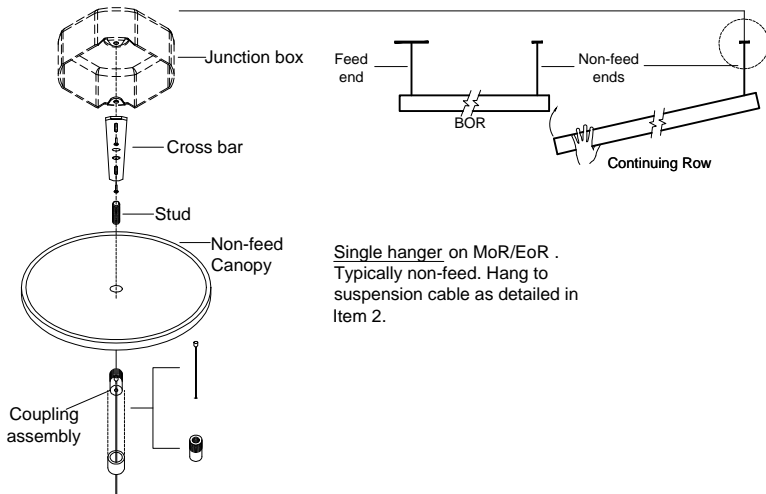


2. Individual and Beginning of Run (BoR) Install:

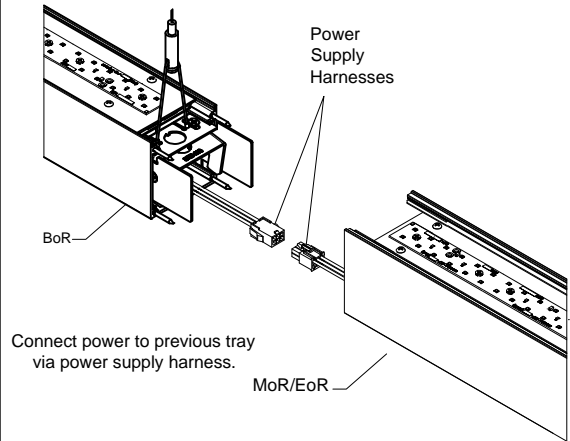




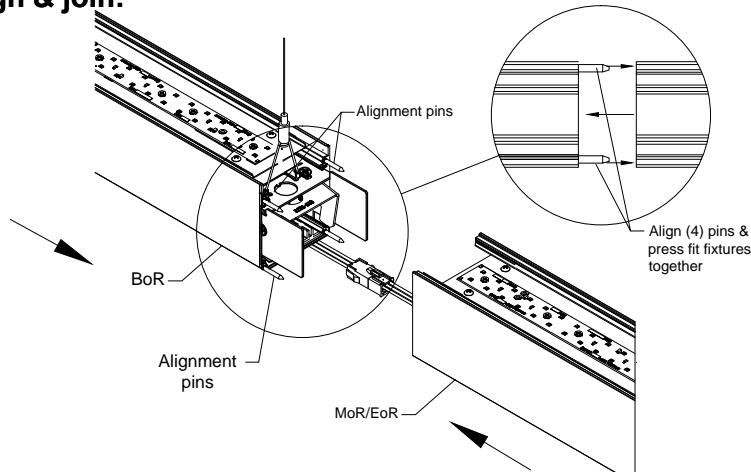
3. Hang MoR/EoR:



4. Connect power:

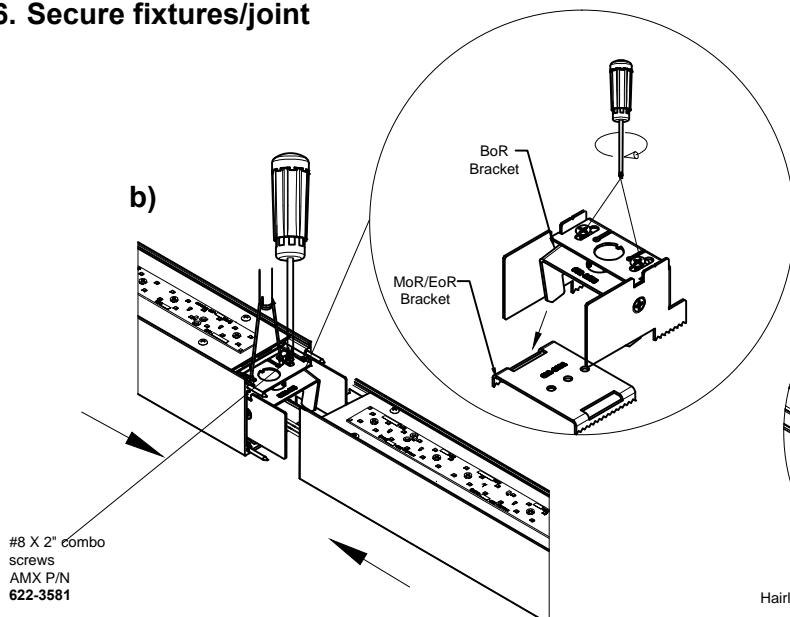


5. Align & join:

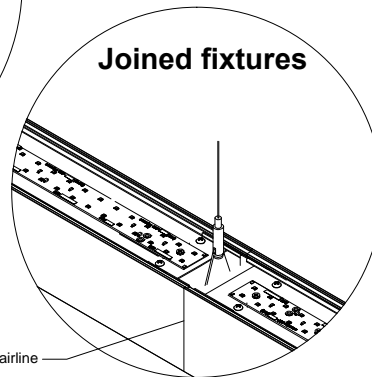


- a) Using alignment pins in BoR line up fixture with MoR/EoR and join accordingly. Align (4) pins & press fit fixtures together (shown left) Confirm the bracket on the BoR side is lined up with the slot on the MoR/EoR side.

6. Secure fixtures/joint

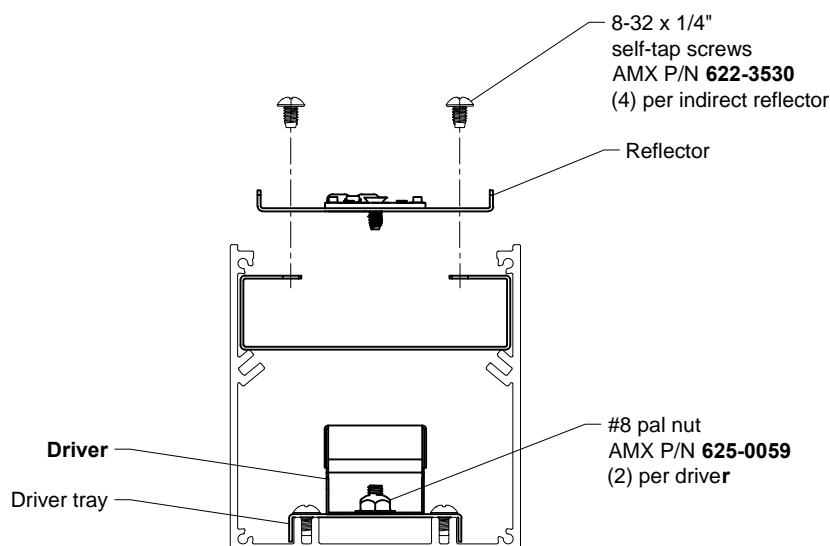


- b) Once joined, locate through opening on top of reflectors, (2) #8 x 2" combo screws installed in joining bracket. Tighten screws in order to push joining bracket into the allotted slots in the MoR/EoR side to ensure locking into place.



REPEAT STEPS
3-6 FOR EACH
FIXTURE IN
ROW.

7. Reflector removal (only required to access driver)



WARNING: Electrostatic and polarity sensitive device. Use caution while handling and wiring.

1.) LED Fixture:

Consult Amerlux for LED maintenance.

2.) LED Replacement:

For LED board replacement reference 689-0600 Instruction Sheet.

3.) Driver maintenance:

Drivers are located on tray beneath indirect reflectors, (1) driver per tray, secured by (2) #8 pal nuts. Remove the reflector mounting screws to access. For **programmable** driver replacement please specify: **Manufacturer, Model No. and Current Setting** (mA). For drivers with **external** resistors, keep driver resistor value during driver maintenance or replacement.

See 710-0134 Wiring Schematic for more details.

MAKE SURE TO DISCONNECT ALL ELECTRICAL CONNECTIONS BEFORE SERVICING.

Amerlux, LLC. - 178 Bauer Drive, Oakland, NJ 07436 - T: 973-882-5010 - F: 973-882-2605

www.amerlux.com