



INSTALLATION INSTRUCTIONS

DWG.#

LIN2.5D-WM, LIN2.5DI-WM, LIN2.5I-WM

689-0743

WALL-MOUNTED FOR INDIVIDUAL FIXTURE OR CONTINUOUSLY ROW-MOUNTED

pg. 1 of 4

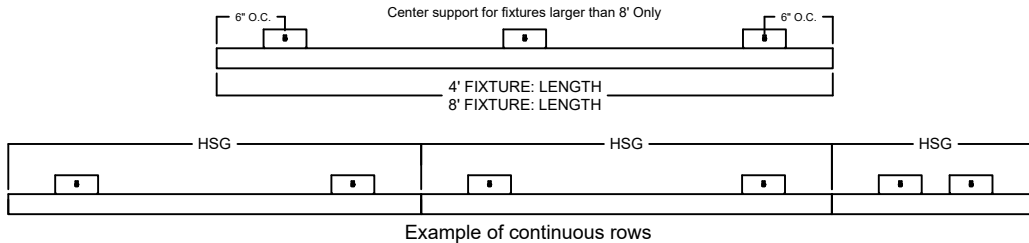
WARNING - RISK OF FIRE AND ELECTRICAL SHOCK. FIXTURE MUST BE INSTALLED BY A QUALIFIED ELECTRICIAN ONLY. FIXTURE IS INTENDED FOR INSTALLATION IN ACCORDANCE WITH THE NATIONAL ELECTRICAL CODE, LOCAL AND FEDERAL SPECIFICATIONS. DISCONNECT POWER AT ELECTRICAL PANEL BEFORE SERVICING. RETAIN THESE INSTRUCTIONS FOR MAINTENANCE REFERENCE.

Pre-installation Note: Junction Box/ Conduit

Supplied by others: - Drywall Anchors
- Wire Nuts

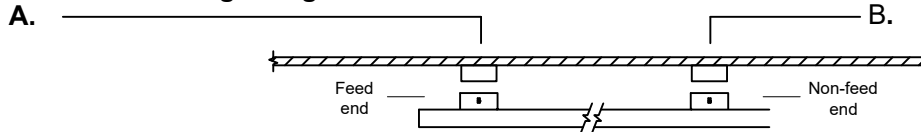
Supplied by Amerlux: - Mounting Brackets
- Lock Screw

Mounting points for fixtures are:



Refer to general contractor/ electrician layout for proper location of mounting points/ locations for mounting brackets.

1. Individual and Beginning of Run Install -

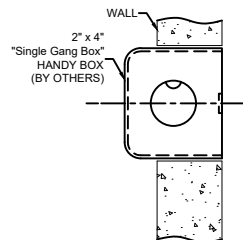


NOTE:

Installing contractor to provide support and blocking to adequately support fixture. Mounting brackets to be installed level and parallel with each other as specified on shop drawing. Contractor to SHIM Mtg. brackets to allow for variations due to SITE CONDITIONS.

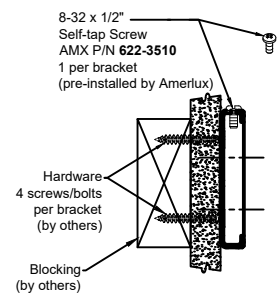
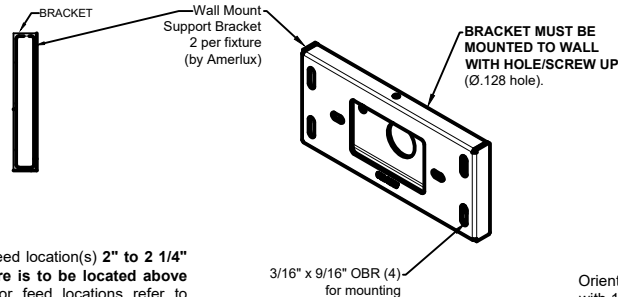
2. Wall mount support bracket installation: LIN2.5D-WM AND LIN2.5DI-WM ONLY

A. Install J-box at feed Location:



Install 2" x 4" (Single Gang Box) at feed location(s) 2" to 2 1/4" above where bottom edge of fixture is to be located above finished floor as shown above. For feed locations refer to Longitudinal mounting points/feed detail above and submittal layout(s).

B. Non-Feed

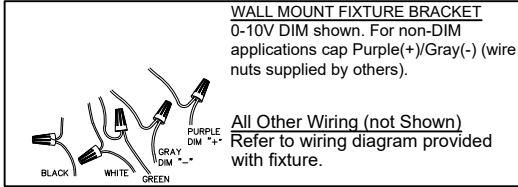


Orient wall mount support bracket with .128 hole & pre-installed screw UP as shown at left & below.

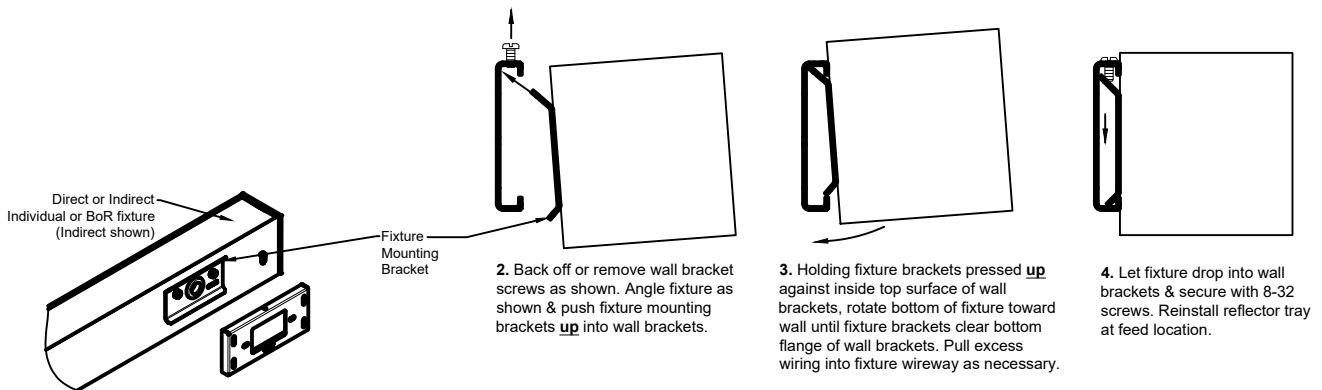
C. Make Electrical Connections
Tuck Wires into J-Box in the wall

See wiring schematic provided with fixture for wire colors and their specific functions as different fixture options may use wires for different purposes.

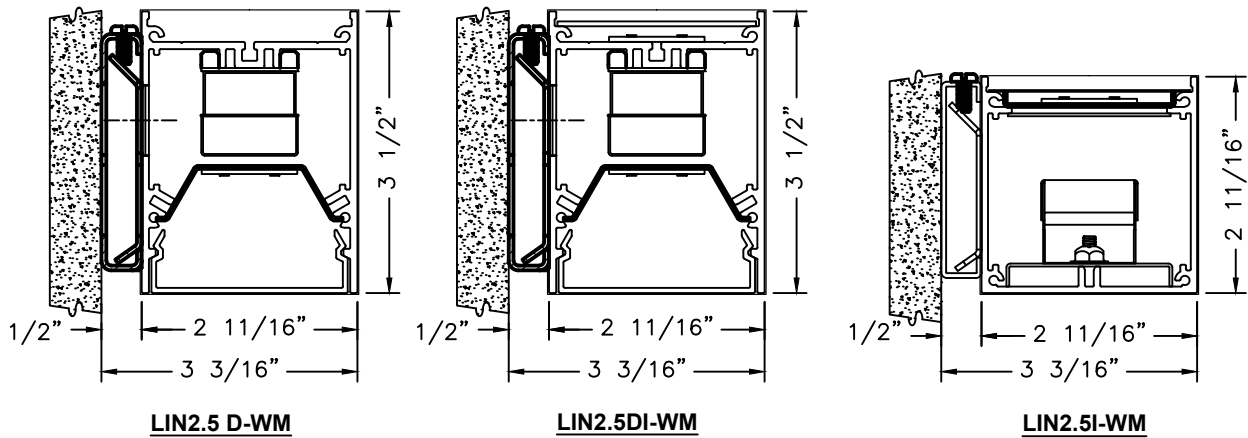
DO NOT CONNECT CONTROL WIRES TO LINE VOLTAGE.
Amerlux is not liable for damage due to miswiring.
Contact factory with any questions.



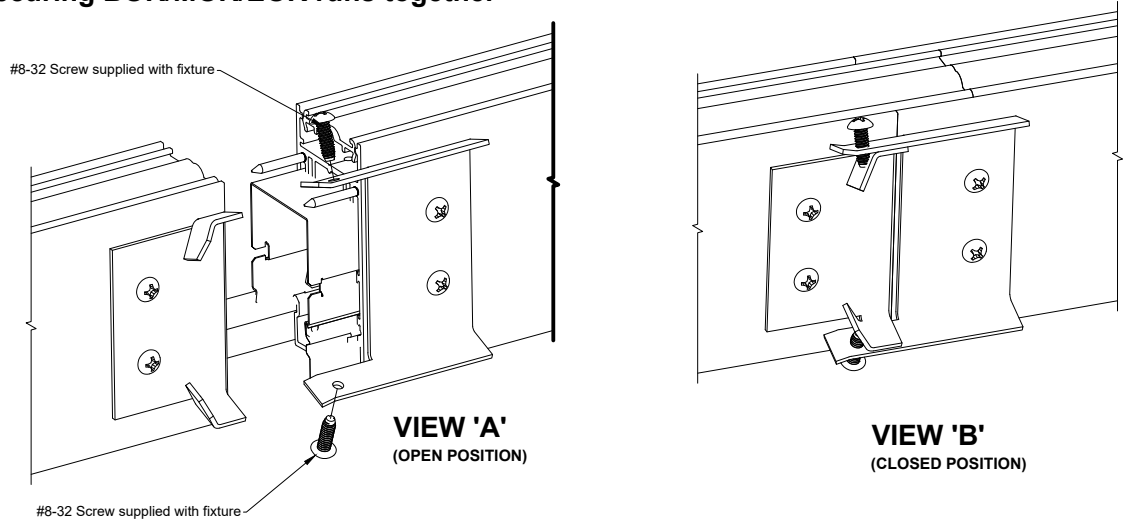
D. Install Fixtures:



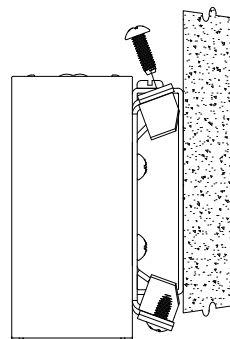
Typical Wall Mount installation of the following fixture:



E. Securing BOR/MOR/EOR runs together



1. Slide fixtures snugly together [VIEW 'B']
2. Using philips head screw driver, tighten top and bottom screws to lock in position.[VIEW 'C']

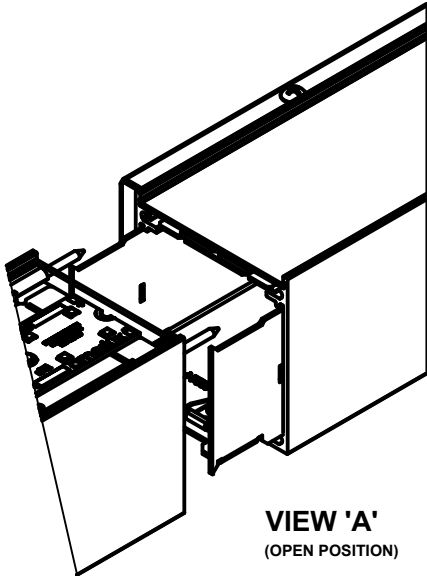


VIEW 'C'
(END VIEW)

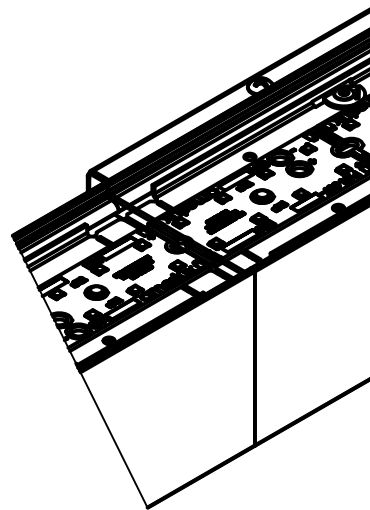
LIN2.5I-WM

WALL-MOUNTED FOR INDIVIDUAL FIXTURE OR CONTINUOUSLY ROW-MOUNTED

E. Securing BOR/MOR/EOR runs together

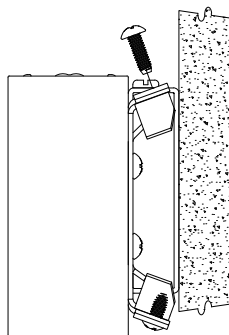


VIEW 'A'
(OPEN POSITION)

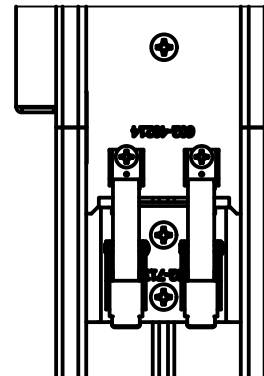


VIEW 'B'
(CLOSED POSITION)

1. Slide fixtures snugly together [VIEW 'B']
2. Using philips head screw driver, tighten top and bottom screws to lock in position.[VIEW 'C']



VIEW 'D'
(END VIEW)



VIEW 'C'
Upper view of joining
brackets.
(CLOSED POSITION)