

Linea[®] 2.5"

Linear Direct with Adjustable Accents

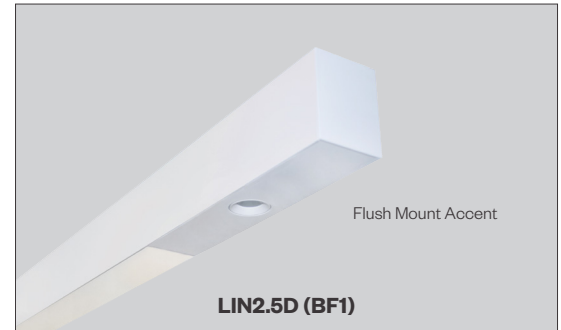
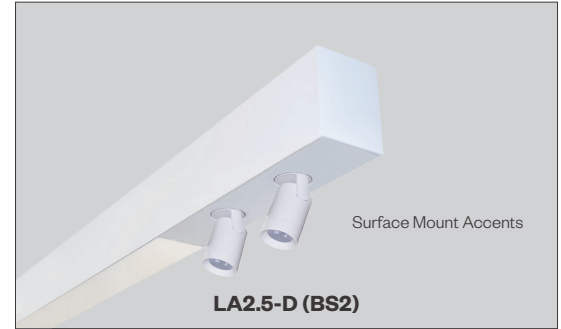


PROJECT:

TYPE:

Features

Linea Accent 2.5" drives your design scenario, seamlessly. Streamlined and adjustable, this family of architectural LED pendants provide the freedom to create truly dynamic spaces. A synthesis of aesthetics, performance and energy efficiency, Linea Accent family delivers on its promises. Linea Accent 2.5" complements our Gruv 2.5" products.



Product Overview

Type: Cable Suspended or Surface Mounted Linear, Direct with Accents
 Wattage-Linear: 5W/ft, 10W/ft (other wattages available see pg 2)
 Wattage-Accent: 7W (per accent head)
 Color Temp: 2700K, 3000K, 3500K, 4000K
 CRI: 83 typ. or 90+ typ.
 Dimming: 0-10V, 1% dim, 120/277VAC (standard)
 DALI, 1% dim

Certifications



Fixture Summary

Performance Data - Linear Ambient

Wattage per Foot	Delivered Lumens	LPW	Color Temp	CRI
5	2351	121.8	3500K	83
10	4374	115	3500K	83

Data is based on 3000K-83 120V IES files available on website.
 Data is based on 4' fixture with Performance lens.

Performance Data - Accent

Wattage per Foot	Delivered Lumens	LPW	CBCP	Color Temp	CRI
7	451	66.3	4861	3000K	83

Data is per head and based on Spot optic.

Electrical Data - Linear Ambient

Wattage per Foot	Voltage	4'		8'	
		System Watts	Amps	System Watts	Amps
5	120V	19.3	0.16	38.6	0.32
	277V	19.3	0.07	38.6	0.14
10	120V	38	0.32	76	0.63
	277V	38	0.14	76	0.27

Electronic multi-volt (120-277VAC), constant current LED driver.

Electrical Data - Accent

Voltage	7W/Accent	
	System Watts	Amps
120V	7	0.06
277V	7	0.03

Electronic multi-volt (120-277VAC), constant current LED driver.

Linea® 2.5"

Linear Direct with Adjustable Accents



PROJECT:	TYPE:
-----------------	--------------

Ordering Information

LA2.5D 120/277

1
2
3
4
5
6
7
8
9
10
11
12
13

<p>1 Model</p> <p>LA2.5-D linear with 12" accent plate on both ends</p>	<p>2 Optics</p> <p>PL performance lens (<i>standard</i>)</p> <p>DL designer lens</p>	<p>3 Mounting</p> <p><u>Pendant Mount</u> (<i>aircraft cable suspension</i>)</p> <p>ASW10 through ceiling tile or gyp board, white, 10'</p> <p>ASW20 through ceiling tile or gyp board, white, 20'</p> <p>ASB10 through ceiling tile or gyp board, black, 10'</p> <p>ASB20 through ceiling tile or gyp board, black, 20'</p> <p>ASW10T over ceiling tee, white, 10'</p> <p>ASW20T over ceiling tee, white, 20'</p> <p>ASB10T over ceiling tee, black, 10'</p> <p>ASB20T over ceiling tee, black, 20'</p> <p><u>Surface Mount</u></p> <p>SM surface mount</p>	<p>4 Circuiting</p> <p>1 single circuit for direct & accent</p> <p>2 2 circuits for separate control of direct & accent, single feed</p>																								
<p>5 Wattage-Linear (<i>per foot</i>)</p> <table style="width: 100%; border-collapse: collapse;"> <tr> <td style="width: 50%;">Standard</td> <td style="width: 50%;">Optional</td> </tr> <tr> <td>5 5W/ft</td> <td>3* 3W/ft</td> </tr> <tr> <td>10 10W/ft</td> <td>4 4W/ft</td> </tr> <tr> <td></td> <td>6 6W/ft</td> </tr> <tr> <td></td> <td>7 7W/ft</td> </tr> <tr> <td></td> <td>8 8W/ft</td> </tr> <tr> <td></td> <td>9 9W/ft</td> </tr> </table> <p><i>*Minimum 6' length</i></p> <p>Note: Accent - 7W/Accent</p>	Standard	Optional	5 5W/ft	3* 3W/ft	10 10W/ft	4 4W/ft		6 6W/ft		7 7W/ft		8 8W/ft		9 9W/ft	<p>6 Color Temp (<i>for Linear & Accent</i>)</p> <table style="width: 100%; border-collapse: collapse;"> <tr> <td style="width: 50%;">83 CRI</td> <td style="width: 50%;">90+ CRI</td> </tr> <tr> <td>27 2700K-83</td> <td>279 2700K-90+</td> </tr> <tr> <td>30 3000K-83</td> <td>309 3000K-90+</td> </tr> <tr> <td>35 3500K-83</td> <td>359 3500K-90+</td> </tr> <tr> <td>40 4000K-83</td> <td>409 4000K-90+</td> </tr> </table>	83 CRI	90+ CRI	27 2700K-83	279 2700K-90+	30 3000K-83	309 3000K-90+	35 3500K-83	359 3500K-90+	40 4000K-83	409 4000K-90+	<p>7 Finish</p> <p>HW high reflectance matte white</p> <p>BT black texture</p> <p>ST silver texture</p> <p><i>For other RAL color, consult factory</i></p>	<p>8 Voltage</p> <p>120/277</p>
Standard	Optional																										
5 5W/ft	3* 3W/ft																										
10 10W/ft	4 4W/ft																										
	6 6W/ft																										
	7 7W/ft																										
	8 8W/ft																										
	9 9W/ft																										
83 CRI	90+ CRI																										
27 2700K-83	279 2700K-90+																										
30 3000K-83	309 3000K-90+																										
35 3500K-83	359 3500K-90+																										
40 4000K-83	409 4000K-90+																										
<p>9 Length (<i>of entire fixture, see page 5</i>)</p> <p>4 4' lnd. (<i>2' linear in center, 12" plate w/accents on both ends</i>)</p> <p>5 5' lnd. (<i>3' linear in center, 12" plate w/accents on both ends</i>)</p> <p>6 6' lnd. (<i>4' linear in center, 12" plate w/accents on both ends</i>)</p> <p>7 7' lnd. (<i>5' linear in center, 12" plate w/accents on both ends</i>)</p> <p>8 8' lnd. (<i>6' linear in center, 12" plate w/accents on both ends</i>)</p>	<p>10 Accent Heads (<i>7W per accent</i>)</p> <p><i>(12" plate on both ends of fixture, plates can have either 1 accent head or 2 accent heads. CCT, CRI & Finish to match linear unit)</i></p> <p>BF1 12" plate with 1 flush mount accent in center, 14W/fixture</p> <p>BF2 12" plate with 2 flush mount accents at 4 1/2" center to center, 28W/fixture</p> <p>BS1 12" plate with 1 surface mount accent in center, 14W/fixture</p> <p>BS2 12" plate with 2 surface mount accents at 4 1/2" center to center, 28W/fixture</p>	<p>11 Beam Spread-Accents</p> <p>SP spot, 13°</p> <p>NF narrow flood, 18°</p> <p>FL flood, 28°</p>																									
<p>12 Drivers</p> <p>0-10V - 1% electronic dimming, multi-volt, 120-277VAC constant current driver (<i>standard</i>).</p> <p>DALI - DALI dimming, 120-277VAC, 1% dim</p>	<p>13 Options/Accessories-Accents</p> <p>AH accessory holder</p> <p>HEX hexcell louver (<i>requires AH</i>)</p>																										

Note: For custom patterns submit an EDR on amerlux.com

Linea[®] 2.5"

Linear Direct with Adjustable Accents



PROJECT:

TYPE:

Specifications

Application

Open office plan, conference rooms, corridors or any indoor space where the higher light levels of a direct ambient lighting system are required.

Construction

One piece extruded aluminum housing. Die-cast End Plates match fixture body finish. Die-formed, cold-rolled steel internal components are protected against rust and corrosion.

Optical

Linear:

All lenses are snap-in, extruded acrylic, with a maximum length of 8'. Amerlux's proprietary acrylic lens provide excellent transmission while effectively concealing source image.

PL - Performance Lens provides high efficiency with controlled lens surface brightness (*standard*).

DL - Designer Lens provides flat even glow on lens. Best when lens is in direct or constant view.

Accent:

Tilt: 0-90° (*for surface mount accent only*)

Rotation: 360°+ (*for surface mount accent only*)

Beam Spreads: Spot, 13°; Narrow Flood, 18°; Flood, 28°

LED

Amerlux's boards and patented connector design with brand name LEDs enables Amerlux fixtures to have excellent thermal management and offer a 5 year warranty. Our LED binning is within 3 MacAdam ellipse. Boards are configured for maximum flexibility resulting in even illumination no matter the fixture layout. LED boards are easily replaced in the field with just a Phillips screw driver.

Color Temperature Options: 2700K, 3000K, 3500K, 4000K

CRI: 83 typical, 90+ typical

R9 (linear): 16 @ CRI 83, >50 @ CRI 90+

R9 (accent): 7 @ CRI 83, 77 @ CRI 90+

Life: 50,000+ hr., > 70% of initial lumens (L70)

Electrical

Wiring: Individual and "Beginning of Run" (*BOR*) fixtures are prewired with power cord. All configurations have quick connect power harnesses for row connections.

Linear Ambient:

Standard Wattage: 5W/ft, 10W/ft.

Optional Wattages: 3W/ft, 4W/ft, 6W/ft, 7W/ft, 8W/ft, 9W/ft.

For other wattages consult factory.

Accent:

Wattage: 7W per accent head (*14W/fixture that are utilizing plates with 1 accent head or 28W/fixture that are utilizing plates with 2 accent heads*)

Electronic constant current LED driver, 120V/277V AC input

This product complies with IEEE C62.41 for surge endurance up to 2.5KV.

Amerlux[®] recommends using additional surge protection with this unit (supplied by others), surge and over voltage damage is not covered under warranty.

Drivers

0-10V - 1% electronic dimming, multi-volt, 120-277VAC constant current driver (*standard*). Cap leads for non-dim applications.

DALI - DALI Dimming, 120-277VAC, 1% dim

Finish

All painted surfaces are premium powder coated baked on for maximum durability and color stability.

HW - High reflective matte White

BT - Black Texture

ST - Silver Texture

For special paint colors supply RAL and/or actual paint chip for factory consultation.

Configurations/Lengths

IND - Individual fixtures are made of single standard lengths of 4ft to 8ft (*in 1' increments*). These are stand alone fixtures with matching End Caps, supplied with the mounting hardware.

For custom patterns, submit an EDR on amerlux.com.

Mounting

Cable Suspension: Cable is stranded stainless steel wire. All fittings are protected against rust and corrosion. Canopies are 5" x 1/4" die formed painted steel. Adjustment mechanism allows for infinite height adjustment. Amerlux recommends the required feed and non-feed suspensions based upon length and electrical options. Options include: color of canopy and power cord (*black or white*), length 10' or 20'; and mounting condition, in center of ceiling tile and in gypsum board ceiling (*standard*) i.e. ASW10. Or if canopy is installed on a grid Tee runner add, **T** i.e. ASW10T

Surface Mount: Direct Surface Mounted - Housing needs to be attached to solid structure above. Mounting holes are pre-drilled at factory. Some fixture disassembly and reassembly required. Mounting hardware by others.

Certifications

Approved to UL standards for damp locations as tested by CSA

Intended for indoor use only

Warranty

Amerlux's 5 year limited warranty. Please consult Amerlux website for details.

Linea[®] 2.5"

Linear Direct with Adjustable Accents

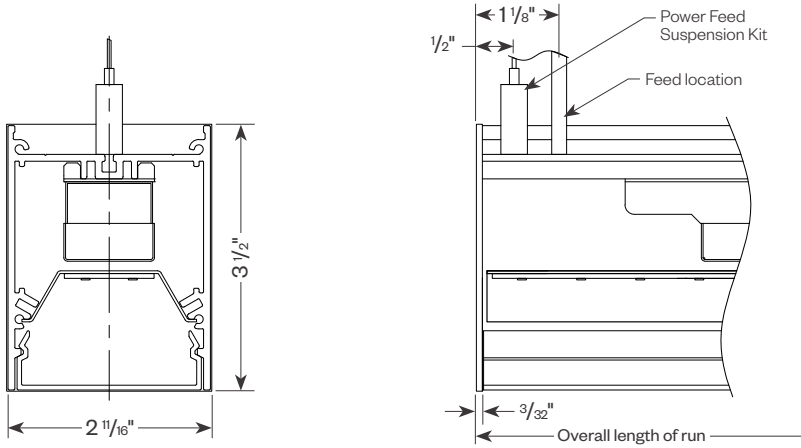


PROJECT:

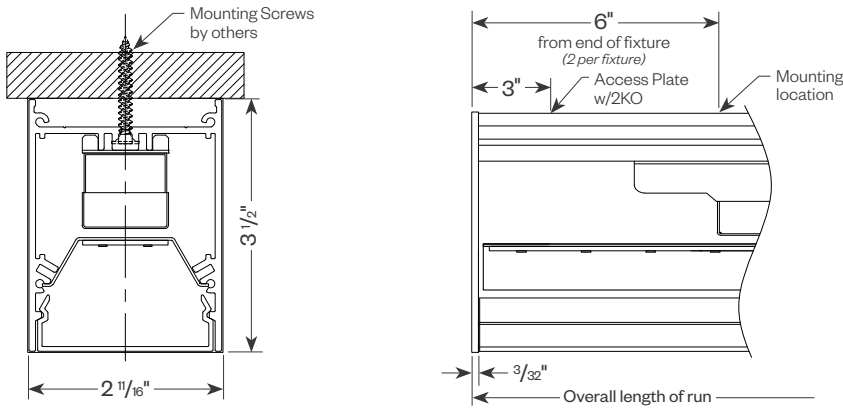
TYPE:

Product Details

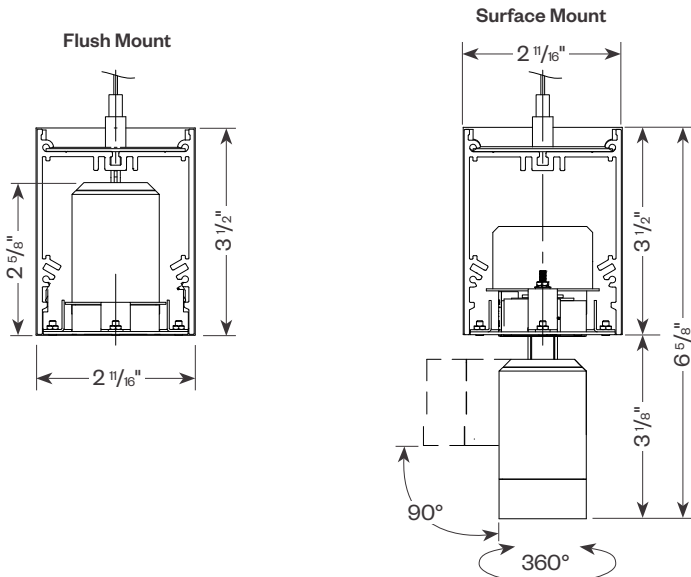
Pendant



Surface Mount



Accent Detail



Linea[®] 2.5"

Linear Direct with Adjustable Accents

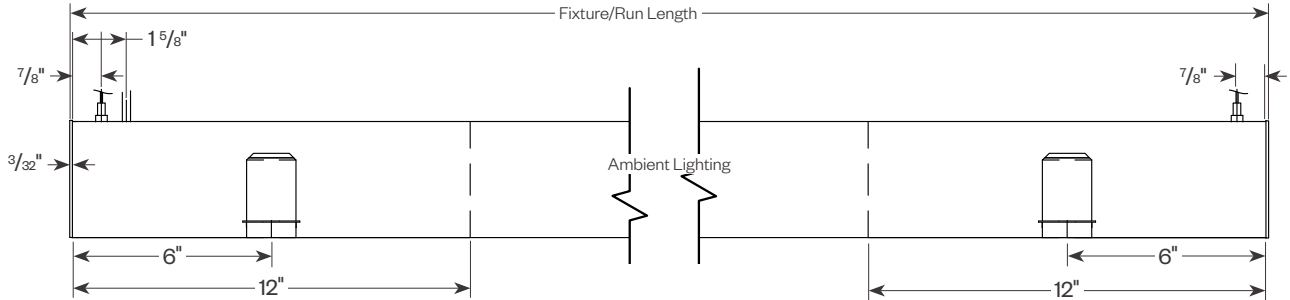


PROJECT:

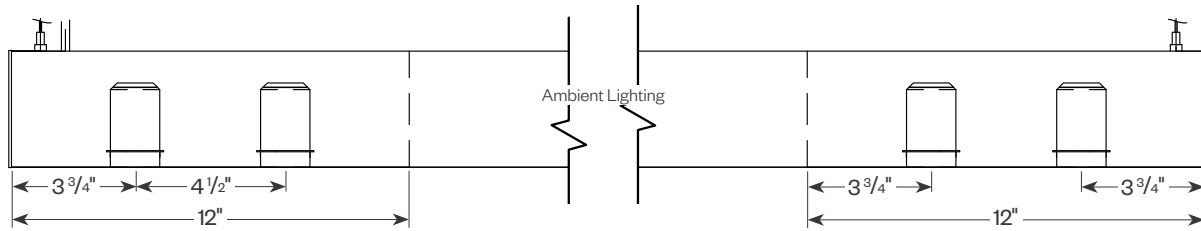
TYPE:

Product Details (continued)

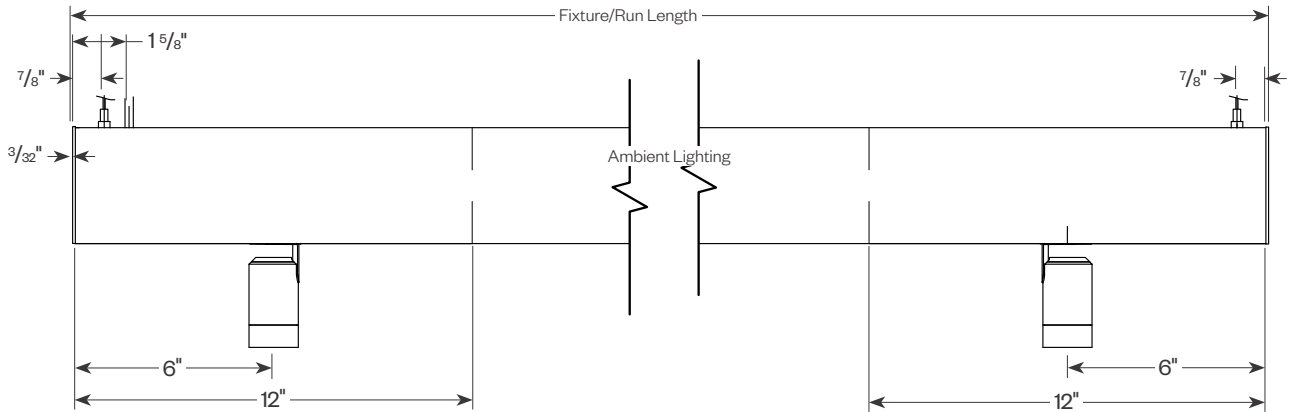
1 Flush Mounted Accent On Each Plate



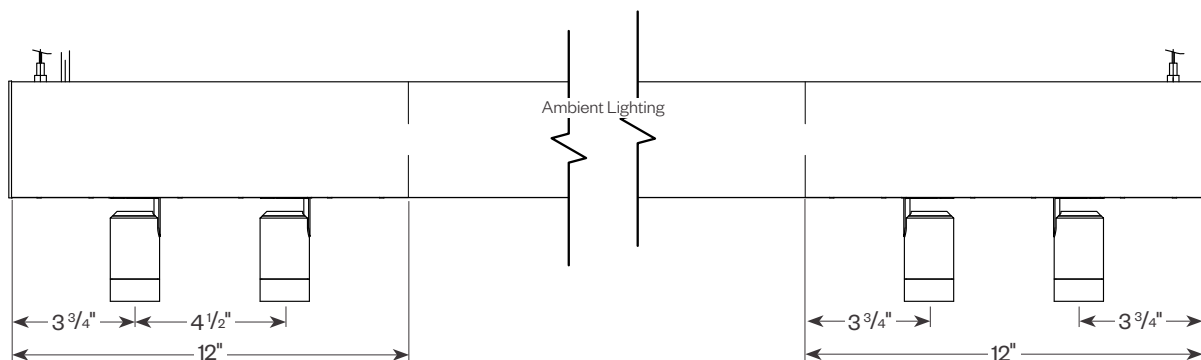
2 Flush Mounted Accents On Each Plate



1 Surface Mounted Accent On Each Plate



2 Surface Mounted Accents On Each Plate



Linea[®] 2.5"

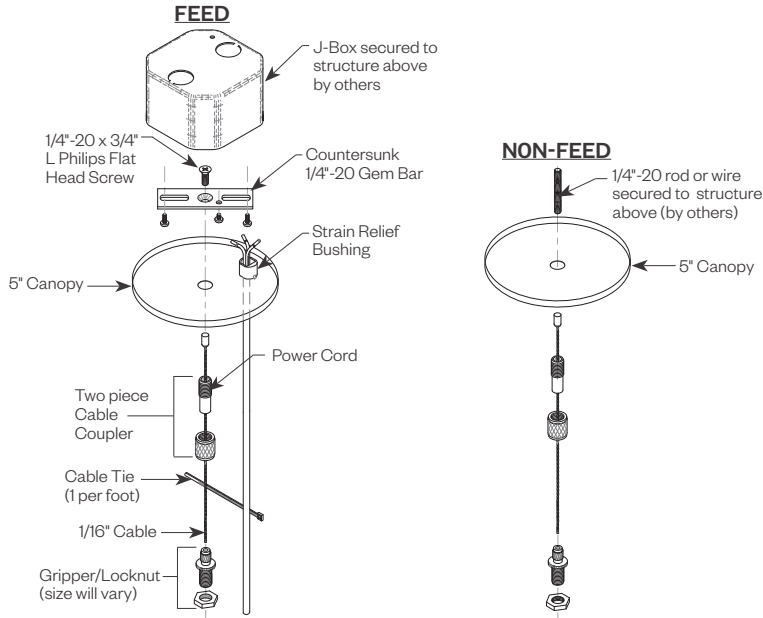
Linear Direct with Adjustable Accents



PROJECT:

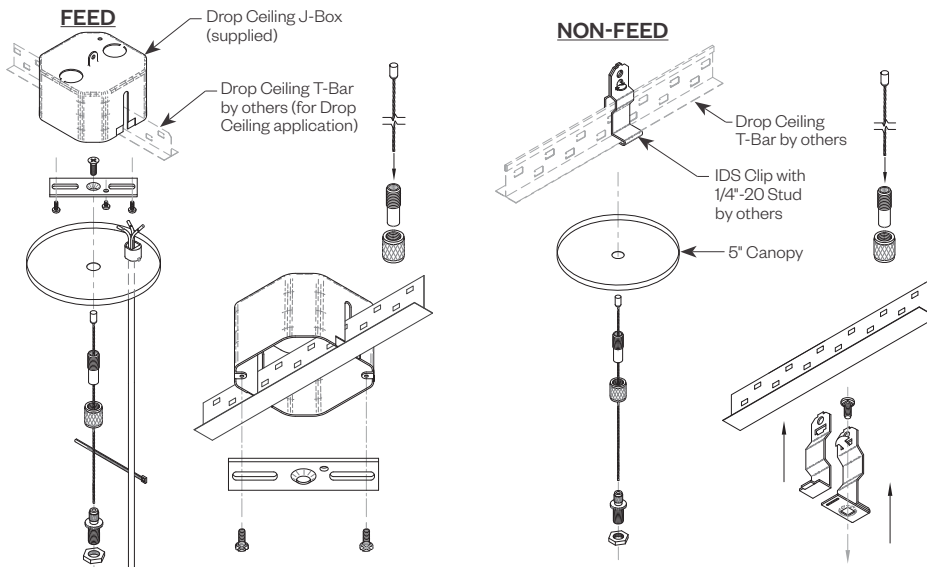
TYPE:

Cable Kit Suspension - Ceiling or Gypsum Board (ASW10, ASW20, ASB10, ASB20)



Cat#	Length	Cord/Canopy	Application
ASW10	10'	white/white	ceiling tile/gypsum
ASW20	20'	white/white	ceiling tile/gypsum
ASB10	10'	black/black	ceiling tile/gypsum
ASB20	20'	black/black	ceiling tile/gypsum
ASW10T	10'	white/white	ceiling tee
ASW20T	20'	white/white	ceiling tee
ASB10T	10'	black/black	ceiling tee
ASB20T	20'	black/black	ceiling tee

Tee Grid or Screw Slot (ASW10T, ASW20T, ASB10T, ASB20T)



Linea[®] 2.5"

Linear Direct with Adjustable Accents



PROJECT:

TYPE:

Performance Data

Multiplying Factors: (Multiplying Factor is based on 3500K-83 120V IES file on website)

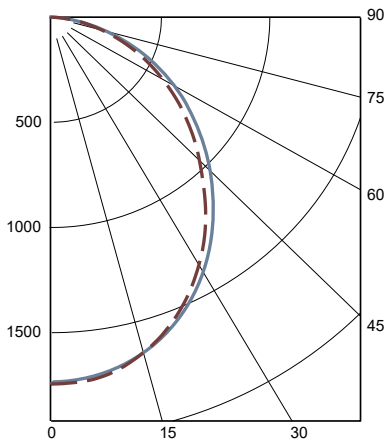
Wattage:	3W	4W	5W	6W	7W	8W	9W	10W
Factor:	0.31	0.42	0.53	0.63	0.72	0.81	0.90	1.0

CCT Factors:				
CRI	2700K	3000K	3500K	4000K
83	0.92	0.97	1.0	1.02
90	0.81	0.84	0.86	0.89

LINEA 2.5" DIRECT PERFORMANCE LENS 10W 3500K 4FT

Total Watts: 38; Total Lumens: 4374
Source: 128 White LED's

LTL# 14664757.09



ZONAL LUMEN SUMMARY

Zone	Lumens	%Fixt
0-40	2101	48.0
0-60	3534	80.8
0-90	4374	100.00
90-180	0	0.00

Efficacy = 115 lumens/Watt

COEFFICIENTS OF UTILIZATION

Effective Floor Cavity Reflectance 20%

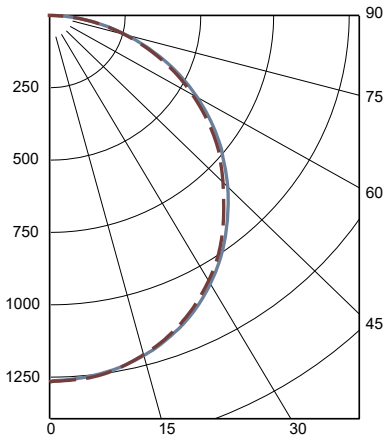
RC	80				
	RW	70	50	30	10
RCR					
0	119	119	119	119	119
1	109	104	100	97	97
2	100	91	85	79	79
3	91	81	73	66	66
4	83	72	63	57	57
5	77	64	56	49	49
6	71	58	49	43	43
7	66	53	44	38	38
8	62	48	40	34	34
9	58	44	36	31	31
10	54	41	33	28	28

Note: Values expressed as percent of total lumen output delivered to the task surface.

LINEA 2.5" DIRECT DESIGNER LENS 10W 3500K 4FT

Total Watts: 38; Total Lumens: 3658
Source: 128 White LED's

LTL# 14664757.10



ZONAL LUMEN SUMMARY

Zone	Lumens	%Fixt
0-40	1606	43.9
0-60	2832	77.4
0-90	3658	100.00
90-180	0	0.00

Efficacy = 96.3 lumens/Watt

COEFFICIENTS OF UTILIZATION

Effective Floor Cavity Reflectance 20%

RC	80				
	RW	70	50	30	10
RCR					
0	119	119	119	119	119
1	108	103	99	95	95
2	98	90	83	77	77
3	90	79	70	64	64
4	82	70	61	54	54
5	75	62	53	46	46
6	69	56	47	40	40
7	64	51	42	36	36
8	60	46	38	32	32
9	56	42	34	29	29
10	53	39	31	26	26

Note: Values expressed as percent of total lumen output delivered to the task surface.

Linea[®] 2.5"

Linear Direct with Adjustable Accents



PROJECT:

TYPE:

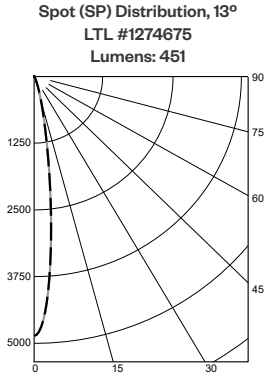
Performance Data (continued)

Multiplying Factors: (Multiplying Factor is based on 3000K-83 120V IES file on website)

CCT:	2700K-83	3000K-83	3500K-83	4000K-83	2700K-90+	3000K-90+	3500K-90+	4000K-90+
Factor:	0.96	1.0	1.02	1.04	0.80	0.83	0.87	0.90

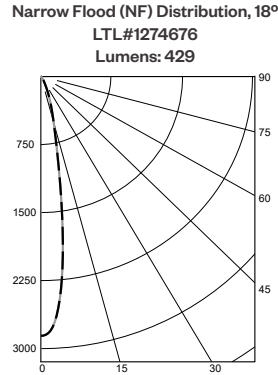
Accent Lights 7W

Note: Data per head



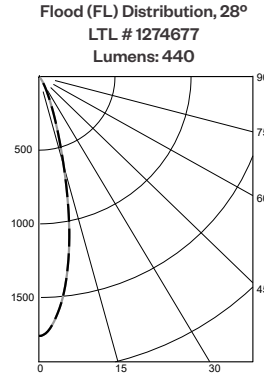
Candelas at Nadir

Deg	Candela
0	4861
5	3303
15	444
25	63
35	22
45	14



Candelas at Nadir

Deg	Candela
0	2860
5	2357
15	490
25	126
35	40
45	14



Candelas at Nadir

Deg	Candela
0	1760
5	1578
15	652
25	160
35	42
45	13

APPLICATION DATA:

Notes and Definitions:

Beam spread is to 50% center beam candlepower (CBCP).

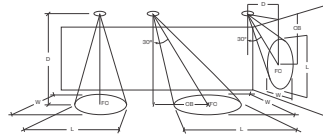
D=Distance to floor or wall.

FC=Footcandles on floor or wall at center beam aiming location.

L=Effective Visual Beam length in feet (50% of maximum footcandle level).

W=Effective Visual Beam width in feet (50% of maximum footcandle level).

CB=Distance across or down to center beam location.



0° Aiming Angle Horizontal Footcandles



30° Aiming Angle Horizontal Footcandles



30° Aiming Angle Vertical Footcandles



60° Aiming Angle Vertical Footcandles

	0° Aiming Angle Horizontal Footcandles				30° Aiming Angle Horizontal Footcandles					30° Aiming Angle Vertical Footcandles					60° Aiming Angle Vertical Footcandles				
	D	FC	L	W	D	FC	L	W	CB	D	FC	L	W	CB	D	FC	L	W	CB
Spot	5.0'	194	1.2	1.2	5.0'	125	1.5	1.3	3.0	3.0'	73	2.9	1.3	5.0	3.0'	253	1.3	1.1	2.0
	7.5'	86	1.7	1.7	7.5'	55	2.4	2.0	4.0	4.0'	42	3.5	1.7	6.0	4.0'	181	1.5	1.1	2.0
	10.0'	49	2.5	2.5	10.0'	31	3.3	2.9	6.0	5.0'	27	4.2	2.4	8.0	5.0'	121	1.7	1.4	3.0
	12.5'	31	3.0	3.0	12.5'	21	3.9	3.4	7.0	6.0'	19	5.2	2.8	9.0	6.0'	80	2.2	1.6	3.0
Narrow Flood	5.0'	115	1.4	1.4	5.0'	74	2.0	1.6	3.0	3.0'	45	3.2	1.5	4.0	3.0'	168	1.5	1.2	2.0
	7.5'	51	2.3	2.3	7.5'	34	2.9	2.7	4.0	4.0'	28	3.9	2.1	6.0	4.0'	119	1.7	1.3	2.0
	10.0'	29	3.1	3.1	10.0'	19	3.9	3.4	5.0	5.0'	18	4.9	2.8	7.0	5.0'	72	2.1	1.6	3.0
	12.5'	18	3.7	3.7	12.5'	12	4.8	1.2	7.0	6.0'	13	5.9	3.2	9.0	6.0'	53	2.4	1.9	3.0
Flood	5.0'	71	2.2	2.2	5.0'	46	2.9	2.6	3.0	3.0'	35	3.4	2.2	4.0	3.0'	107	2.1	1.5	2.0
	7.5'	31	3.2	3.2	7.5'	21	4.0	3.6	4.0	4.0'	20	4.5	2.9	5.0	4.0'	75	2.2	1.9	2.0
	10.0'	18	4.4	4.4	10.0'	12	5.4	4.9	5.0	5.0'	13	5.7	3.6	6.0	5.0'	45	2.9	2.7	3.0
	12.5'	11	5.4	5.4	12.5'	8	6.9	6.2	6.0	6.0'	9	7.0	4.4	8.0	6.0'	33	3.3	2.9	3.0

Linea[®] 2.5"

Linear Direct with Adjustable Accents



PROJECT:

TYPE:

Dimming Compatibility

Amerlux[®] Linea[®] fixtures are compatible with all major dimming protocols prevalent in the United States. Please see below for general compatibilities and wiring diagrams. Amerlux recommends testing your unique dimming configuration as the exact full configuration (*Dimmer, Fixture Quantity, Voltage, etc*) may affect dimming performance.

--- NOTE: INFORMATION BELOW IS FOR WIRED DIMMERS ONLY. FOR WIRELESS DIMMERS, CONSULT FACTORY ---

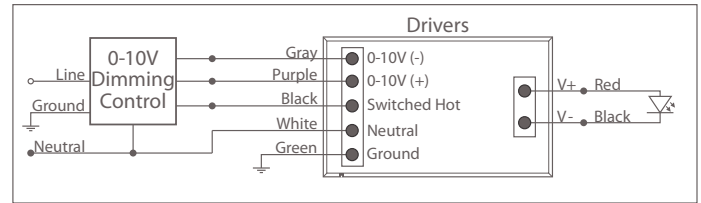
0-10V - DIMMING (Standard)

Integrates into a variety of building management and daylighting controls

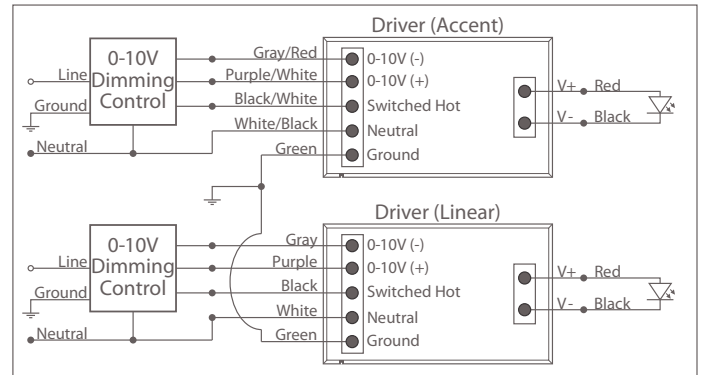
Notes:

- 120V or 277V*
- Dims down to 1% light output
- Requires interface to turn off power to driver
- Consult Dimming manufacturer for installation instructions - **DO NOT SHARE NEUTRALS!**

0-10V Wiring Diagram (1 Circuit)



0-10V Wiring Diagram (2 Circuit)



Compatible Dimmers*:		
Wall Box		
Lutron:	Wattstopper:	Leviton:
Diva - DVSTV	ADF-120277	Renoir II
Maestro - MS-Z101		
Nova-T - NTSTV-DV		
Central System		
Lutron Grafikx Eye with GRX-TV1 Interface		

DALI - DALI DIMMING 120V-277V

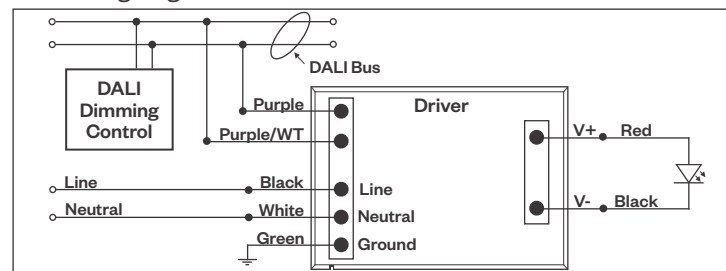
Digital control protocol allows individual fixture control

Notes:

- 120VAC - 277VAC*
- Dims down to 1% light output in most cases

Compatible Dimmers*:	
Wall Box	Central System
Leviton CD250 Controller	Dynalite
	Fifth Light

DALI Wiring Diagram



Notes:

* Driver is 277VAC dimmable with appropriate dimmer (*by others*). All provided wiring diagrams show 120VAC wiring colors and method. Please refer to 277VAC dimmer installation instructions for 277VAC wiring diagrams.

† The absence of a dimmer from the lists above does not imply incompatibility. Please consult factory for compatibility inquiries.