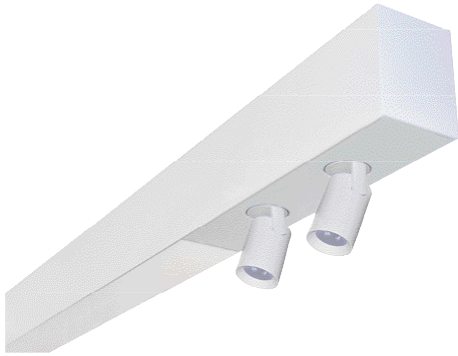


Linea® 2.5"

Linear Direct/Indirect
with Adjustable Accents



Linea 2.5" with Surface Mount Accents

Features

Linea Accent 2.5" drives your design scenario, seamlessly. Streamlined and adjustable, this family of architectural LED accents provide the freedom to create truly dynamic spaces. A synthesis of aesthetics, performance and energy efficiency, Linea Accents delivers on its promises. Linea Accents 2.5" complements our Gruv 2.5" products

Product Overview

Type:	Direct/Indirect Lens Down/Batwing, Clear lens up
Wattage (Linear):	5W/ft, 10W/ft (other wattages available see p2)
Lumen Output (Linear)::	8,299 max; 104 Lm/W (10W/10W, 4ft fixture)
Wattage (Accent):	7W (per accent head)
Lumen Output (Accent):	451 max; 63.3 Lm/W
Color Temp:	2700K, 3000K, 3500K, 4000K
CRI:	83 typ. or 90+ typ
Dimming:	0-10V, 1% dim (standard) DALI dimming, 1% dim

PROJECT:



Linea 2.5" with Flush Mount Accent

TYPE:

Fixture Summary (see following pages for more information)

Performance Chart

Wattage Per Foot	Delivered Lumens	LPW	Color Temp
10	4,476	116.4	3000K-83
20	8,299	104	3000K-83

Data is based on 4' fixture with Performance Lens 3000K-83. IES files available on website

Performance Chart-Accent

Watts	Delivered Lumens	LPW	CBCP	Color Temp
7	451	63.3	4861	3000K-83

Data is per head and is based on Spot optic

Electrical Data-Linear

Wattage Per Foot		4'		8'	
		System Watts	Amps	System Watts	Amps
5	120V	44.6	0.36	83.8	0.70
	277V	45.8	0.18	83.2	0.32
10	120V	84.2	0.70	168.4	1.40
	277V	83.0	0.30	166.0	0.60

Electronic multi-volt (120-277VAC), constant current LED driver

Electrical Data-Accent

	7W/Accent	
	System Watts	Amps
120V	7	0.06
277V	7	0.03



Linea® 2.5" D/I with Accents

Linear Direct/Indirect with Adjustable Accents, LED



PROJECT:

TYPE:

Ordering Information



1 Model
LA2.5-DI - linear with 12" accent plate on both ends

2 Optics
Direct:
PL - performance lens (standard)
DL - designer lens
Indirect:
BAT - batwing uplight (standard)
UC - upper clear lens cover

3 Mounting
ASW10 - through ceiling tile or gyp board, white, 10'
ASW20 - through ceiling tile or gyp board, white, 20'
ASB10 - through ceiling tile or gyp board, black, 10'
ASB20 - through ceiling tile or gyp board, black, 20'
ASW10T - over ceiling tee, white, 10'
ASW20T - over ceiling tee, white, 20'
ASB10T - over ceiling tee, black, 10'
ASB20T - over ceiling tee, black, 20'

4 Circuiting
1 - single circuit for direct, indirect & accent
2 - 2 circuits for separate control of direct/indirect & accent, single feed
3 - 3 circuits for separate control of direct, indirect & accent, two feeds

5 Wattage (per foot, down/up)
5/5
10/10
5/10
10/5
Consult factory for other wattage options
Note: Accent - 7W/Accent

6 Color Temp (for both linear & accent)
83 CRI: 90+ CRI:
27 - 2700K-83 279 - 2700K-90+
30 - 3000K-83 309 - 3000K-90+
35 - 3500K-83 359 - 3500K-90+
40 - 4000K-83 409 - 4000K-90+

7 Finish
HW - high reflectance matte white
BT - black texture
ST - silver texture
For other RAL color, consult factory

8 Voltage
120/277

9 Length (of entire fixture, see page 5)
4 - 4' Ind. (4' indirect, 2' direct, 12" plate with accent(s) on both ends)
5 - 5' Ind. (5' indirect, 3' direct, 12" plate with accent(s) on both ends)
6 - 6' Ind. (6' indirect, 4' direct, 12" plate with accent(s) on both ends)
7 - 7' Ind. (7' indirect, 5' direct, 12" plate with accent(s) on both ends)
8 - 8' Ind. (8' indirect, 6' direct, 12" plate with accent(s) on both ends)

10 Accent Heads (7W per accent)
(12" plate on both ends of fixture, plates can have either 1 accent head or 2 accent heads. CCT, CRI & Finish to match linear unit)
BF1 - 12" plate with 1 flush mount accent in center, 14W/fixture
BF2 - 12" plate with 2 flush mount accents at 4 1/2" center to center, 28W/fixture
BS1 - 12" plate with 1 surface mount accent in center, 14W/fixture
BS2 - 12" plate with 2 surface mount accents at 4 1/2" center to center, 28W/fixture

11 Beam Spreads-Accents
SP - spot, 13°
NF - narrow flood, 18°
FL - flood, 28°

12 Drivers
O-10V - 1% electronic dimming, multi-volt (120-277VAC) constant current driver (standard).
DALI - DALI Dimming 120-277VAC, 1% dim

13 Options/Accessories-Accents
AH - accessory holder
HEX - hexcell louver (requires AH)

Note: For custom patterns submit EDR on amerlux.com

Linea® 2.5" D/I with Accents

Linear Direct/Indirect with Adjustable Accents, LED



PROJECT:

TYPE:

Specifications

Application

Open office plan, conference rooms, corridors or any indoor retail space where an exciting combination of direct and indirect ambient lighting is desired.

Construction

One piece extruded aluminum housing. Die-cast End Plates match fixture body finish. Die-formed, cold-rolled steel internal components are protected against rust and corrosion.

Optical

Linear Direct:

All lenses are snap-in, extruded acrylic, with a maximum length of 8'. Amerlux's proprietary acrylic lens provide excellent transmission while effectively concealing source image.

PL - Performance Lens provides high efficiency with controlled lens surface brightness (standard).

DL - Designer Lens provides flat even glow on lens. Best when lens is in direct or constant view.

Linear Indirect:

Extruded acrylic lens with a maximum length of 8'.

UC - Upper Clear lens cover (standard)

BAT - Batwing upright lens (optional) spreads light directly above fixture. A minimum of 18" distance between ceiling plane and top of fixture is suggested.

Accent:

Tilt: 0-90°; Rotation: 360°+ (for surface mount only)

Beam Spreads: Spot, 13°; Narrow Flood, 18°; Flood, 28°

LED

Amerlux's boards and patented connector design with brand name LEDs enables Amerlux fixtures to have excellent thermal management and offer a 5 year warranty. Our LED binning is within 3 MacAdam ellipse. Boards are configured for maximum flexibility resulting in even illumination no matter what the fixture layout. LED boards are easily replaced in the field with just a Phillips screw driver.

Color Temperature Options: 2700K, 3000K, 3500K, 4000K

CRI: 83 typical, 90+ typical

R9 (linear): 16 @ CRI 83, >50 @ CRI 90+

R9 (accent): 7 @ CRI 83, 77 @ CRI 90+

Life: 50,000+ hr., > 70% of initial lumens (L70)

Electrical

Wiring: Individual fixtures are prewired with power cord.

- 1 - single circuit for direct, indirect & accent
- 2 - 2 circuits for separate control of direct/indirect & accent, 1 feed
- 3 - 3 circuits for separate control of direct, indirect & accent, two feeds (not available for 4' & 5' fixtures)

Linear Ambient:

Standard Wattage: 5W/ft, 10W/ft.

Optional Wattages: 3W/ft, 4W/ft, 6W/ft, 7W/ft, 8W/ft, 9W/ft.

For other wattages consult factory.

Accent:

Wattage: 7W per accent head (14W/fixture that are utilizing plates with 1 accent head or 28W/fixture that are utilizing plates with 2 accent heads)

Electronic constant current LED driver, 120V/277V AC input
Emergency circuit via remote inverter or auxiliary emergency power supply (by others).

This product complies with IEEE C62.41 for surge endurance up to 2.5KV. Amerlux® recommends using additional surge protection with this unit (supplied by others), surge and over voltage damage is not covered under warranty.

Drivers

O-10V - 1% electronic dimming, multi-volt (120-277VAC) constant current driver (standard). Cap leads for non-dim applications.

DALI - DALI Dimming 120-277VAC, 1% dim

Finish

All painted surfaces are premium powder coated baked on for maximum durability and color stability.

HW - High reflective matte White

BT - Black Texture

ST - Silver Texture

For special paint colors supply RAL and/or actual paint chip for factory consultation.

Configurations/Lengths

IND - Individual fixtures are made of single standard lengths of 4 ft to 8 ft (in 1' increments). These are stand alone fixtures with matching End Caps, supplied with the mounting hardware. Lengths less than 4' may have restrictions based upon wattage, lengths, drivers or other options.

Mounting

Cable Suspension: Cable is stranded stainless steel wire. All fittings are protected against rust and corrosion. Canopies are 5" x 1/4" die formed painted steel. Adjustment mechanism allows for infinite height adjustment. Amerlux recommends the required feed and non-feed suspensions based upon length and electrical options. Options include: color of canopy and power cord (black or white), length 10' or 20', and mounting condition, in center of ceiling tile and in gypsum board ceiling (standard) i.e. ASW10. Or if canopy is installed on a grid Tee runner add, T i.e. ASW10T

Please note: 1 Circuit is standard, the direct & indirect are on the same circuit. 2 Circuits, direct & indirect switched separately with power feeds at both ends.

Certifications

Approved to UL standards for damp locations as tested by CSA
Intended for indoor use only

Warranty

Amerlux's 5 year limited warranty. Please consult Amerlux website for details.

Linea[®] 2.5" D/I with Accents

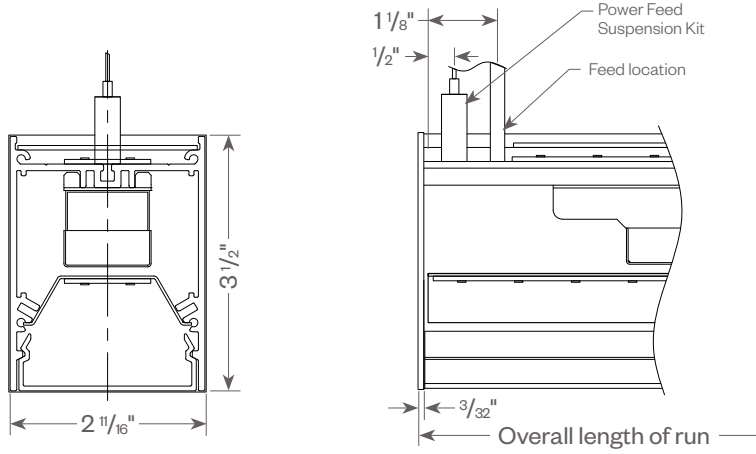
Linear Direct/Indirect with Adjustable Accents, LED



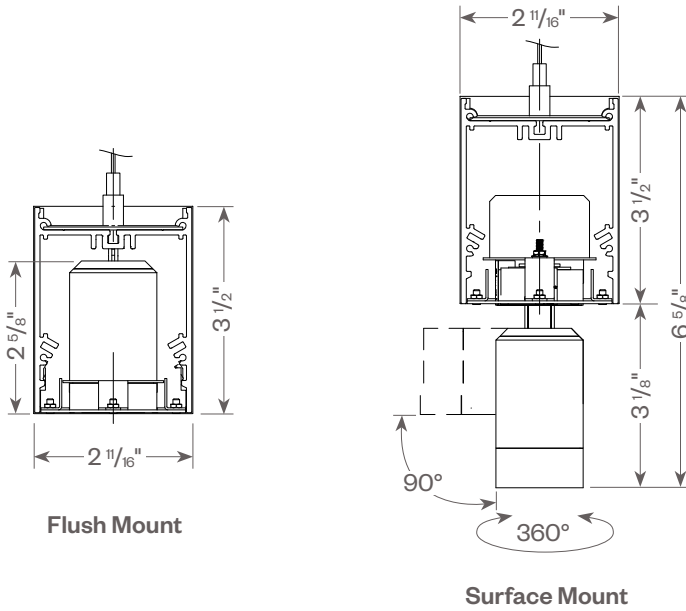
PROJECT:

TYPE:

LINEA 2.5" DIRECT/INDIRECT



ACCENT DETAIL



Flush Mount

Surface Mount

Linea[®] 2.5" D/I with Accents

Linear Direct/Indirect with Adjustable Accents, LED

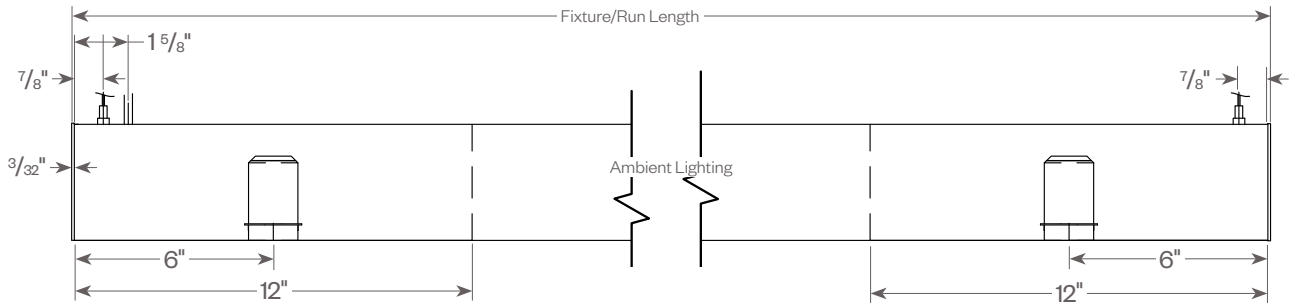


Linea 2.5" D/I with Accents

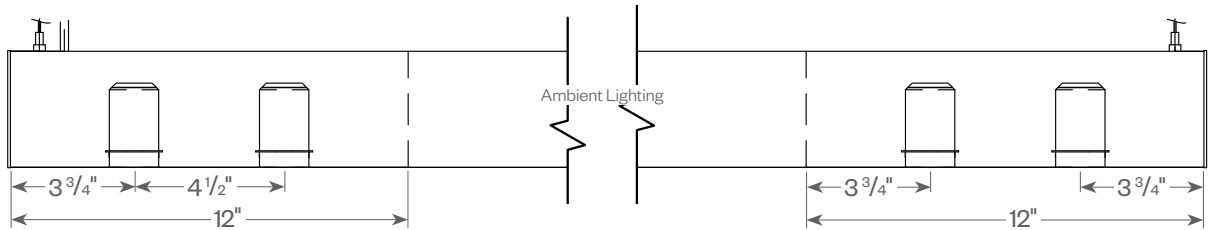
PROJECT:

TYPE:

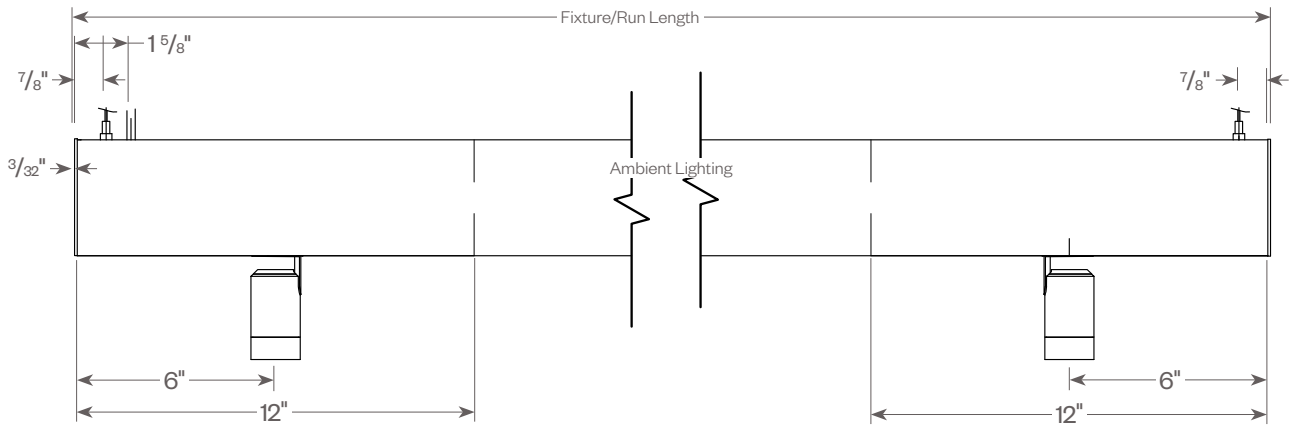
1 FLUSH MOUNT ACCENT ON EACH PLATE



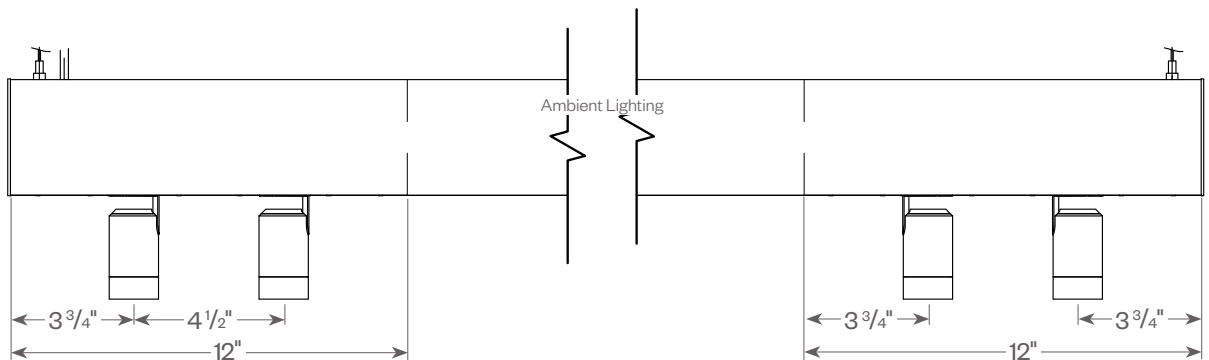
2 FLUSH MOUNT ACCENTS ON EACH PLATE



1 SURFACE MOUNT ACCENT ON EACH PLATE



2 SURFACE MOUNT ACCENTS ON EACH PLATE



Linea[®] 2.5" D/I with Accents

Linear Direct/Indirect with Adjustable Accents, LED

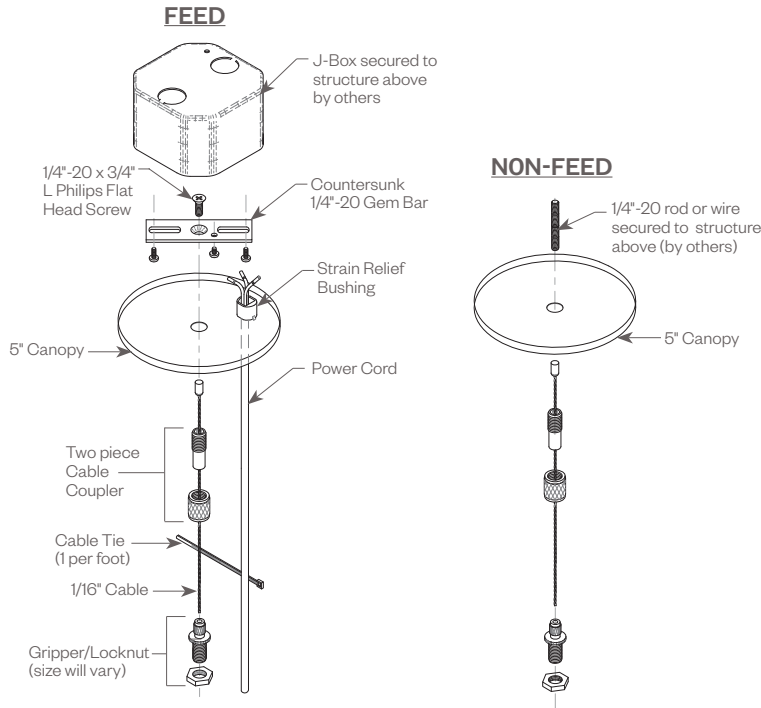


PROJECT:

TYPE:

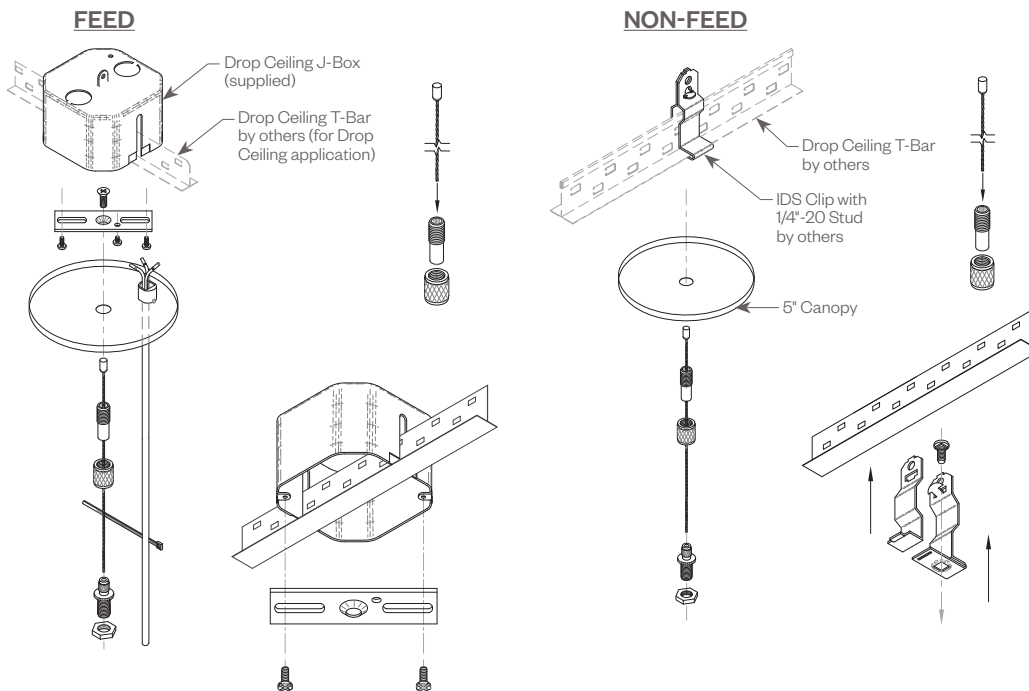
CABLE KIT SUSPENSION OPTIONS:

CEILING OR GYPSUM BOARD (ASW10, ASW20, ASB10, ASB20)



Cat#	Length	Cord/Canopy	Application
ASW10	10'	white/white	ceiling tile/gypsum
ASW20	20'	white/white	ceiling tile/gypsum
ASB10	10'	black/black	ceiling tile/gypsum
ASB20	20'	black/black	ceiling tile/gypsum
ASW10T	10'	white/white	ceiling tee
ASW20T	20'	white/white	ceiling tee
ASB10T	10'	black/black	ceiling tee
ASB20T	20'	black/black	ceiling tee

TEE GRID OR SCREW SLOT (ASW10T, ASW20T, ASB10T, ASB20T)



Linea[®] 2.5" D/I with Accents

Linear Direct/Indirect with Adjustable Accents, LED



PROJECT:

TYPE:

LINEAR FIXTURE DATA: (Complete photometric data (.ies format) available upon request)

MULTIPLYING FACTORS: (Multiplying Factor is based on 3000K-83 120V IES file on website)

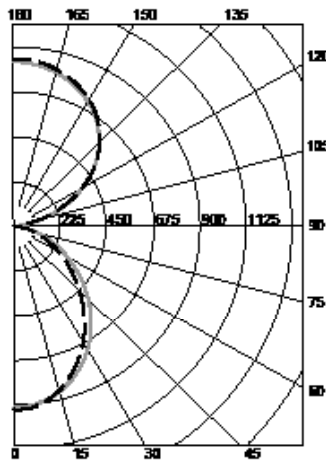
Wattage:	3W	4W	5W	6W	7W	8W	9W
Factor:	0.63	0.82	1.0	1.17	1.34	1.50	1.64

CCT-CRI:	2700K-83	3000K-83	3500K-83	4000K-83	2700K-90+	3000K-90+	3500K-90+	4000K-90+
Factor:	0.95	1.0	1.04	1.05	0.83	0.88	0.92	0.94

LINEA 2.5" DI PERFORMANCE LENS DIRECT/CLEAR COVER INDIRECT 5W UP/5W DWN 3000K 4FT

Total Watts: 38
Total Lumens: 4,476
Source: 256 White LED's

LTL# 1238334



ZONAL LUMEN SUMMARY

Zone	Lumens	%Fixt
0-40	1065	23.8
0-60	1730	38.7
0-90	2093	46.7
90-180	2384	53.3

Efficacy = 116.4 Lumens /Watt

COEFFICIENTS OF UTILIZATION

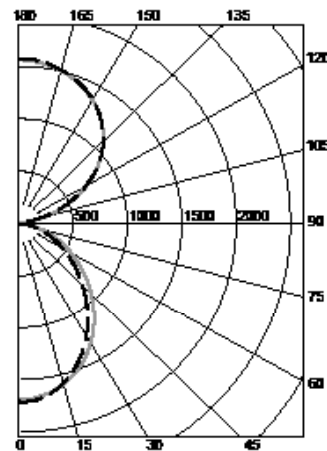
Effective Floor Cavity Reflectance 20%

RC	80			
RW	70	50	30	10
RCR (expressed as lumens delivered to the task surface)				
0	4761	4761	4761	4761
1	4354	4165	3995	3842
2	3973	3649	3381	3156
3	3631	3217	2897	2642
4	3327	2854	2508	2244
5	3058	2548	2192	1929
6	2820	2289	1934	1678
7	2610	2070	1720	1475
8	2423	1881	1541	1307
9	2257	1719	1389	1167
10	2109	1578	1260	1048

LINEA 2.5" DI PERFORMANCE LENS DIRECT/CLEAR COVER INDIRECT 10W UP/10W DWN 3000K 4FT

Total Watts: 80
Total Lumens: 8,299
Source: 256 White LED's

LTL# 1238335



ZONAL LUMEN SUMMARY

Zone	Lumens	%Fixt
0-40	1970	23.7
0-60	3194	38.5
0-90	3855	46.5
90-180	4444	53.5

Efficacy = 104 Lumens /Watt

COEFFICIENTS OF UTILIZATION

Effective Floor Cavity Reflectance 20%

RC	80			
RW	70	50	30	10
RCR (expressed as lumens delivered to the task surface)				
0	8821	8821	8821	8821
1	8068	7718	7404	7121
2	7363	6764	6268	5851
3	6730	5964	5371	4898
4	6167	5292	4651	4161
5	5668	4724	4065	3578
6	5226	4245	3586	3113
7	4837	3837	3190	2736
8	4491	3488	2857	2424
9	4184	3187	2577	2164
10	3910	2925	2336	1944

Linea[®] 2.5" D/I with Accents

Linear Direct/Indirect with Adjustable Accents, LED



PROJECT:

TYPE:

LINEAR FIXTURE DATA: (Complete photometric data (.ies format) available upon request)

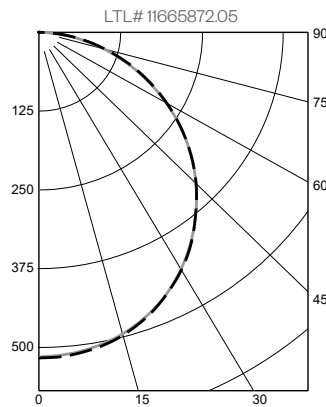
MULTIPLYING FACTORS: (Multiplying Factor is based on 3000K-83 120V IES file on website)

Wattage:	3W	4W	5W	6W	7W	8W	9W
Factor:	0.63	0.82	1.0	1.17	1.34	1.50	1.64

CCT-CRI:	2700K-83	3000K-83	3500K-83	4000K-83	2700K-90+	3000K-90+	3500K-90+	4000K-90+
Factor:	0.91	0.96	1.0	1.01	0.80	0.84	0.88	0.89

LINEA 2.5" DIRECT DESIGNER LENS 5W 3500K 4FT

Total Watts: 20
Total Lumens: 1,487
Source: 128 White LED's



ZONAL LUMEN SUMMARY

Zone	Lumens	%Fixt
0-40	656	44.2
0-60	1157	77.8
0-90	1487	100.0
90-180	0	0.0

Luminaire Efficacy = 75.0 lm/w

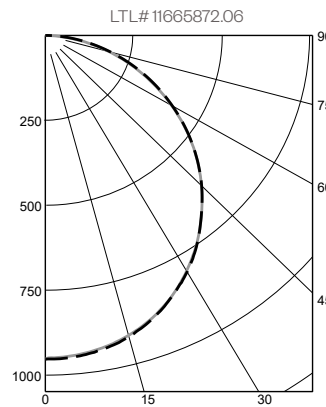
COEFFICIENTS OF UTILIZATION

RC	RW			
	70	50	30	10
RCR				
0	1729	1729	1729	1729
1	1572	1505	1446	1391
2	1424	1310	1215	1133
3	1296	1150	1035	942
4	1185	1019	895	799
5	1090	910	783	688
6	1006	820	693	600
7	934	744	619	530
8	870	680	558	473
9	813	624	506	426
10	763	577	463	386

Note: Values expressed as Lumens delivered to the task surface.

LINEA 2.5" DIRECT DESIGNER LENS 10W 3500K 4FT

Total Watts: 40
Total Lumens: 2,739
Source: 128 White LED's



ZONAL LUMEN SUMMARY

Zone	Lumens	%Fixt
0-40	1211	44.2
0-60	2133	77.9
0-90	2739	100.0
90-180	0	0.0

Luminaire Efficacy = 68.7 lm/w

COEFFICIENTS OF UTILIZATION

RC	RW			
	70	50	30	10
RCR				
0	3185	3185	3185	3185
1	2895	2774	2664	2564
2	2624	2414	2239	2089
3	2388	2119	1908	1738
4	2184	1877	1649	1473
5	2008	1678	1444	1268
6	1854	1512	1278	1107
7	1720	1372	1142	978
8	1603	1253	1029	873
9	1499	1151	934	785
10	1406	1063	853	712

Note: Values expressed as Lumens delivered to the task surface.

Linea[®] 2.5" D/I with Accents

Linear Direct/Indirect with Adjustable Accents, LED



PROJECT:

TYPE:

ACCENT FIXTURE DATA: (Complete photometric data (.ies format) available upon request)

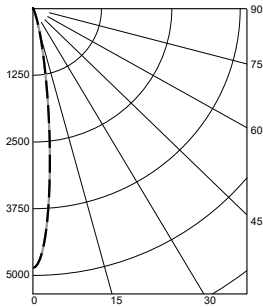
MULTIPLYING FACTORS: (Multiplying Factor is based on 3000K-83 120V IES file on website)

CCT:	2700K-83	3000K-83	3500K-83	4000K-83	2700K-90+	3000K-90+
Factor:	0.96	1.0	1.02	1.04	0.80	0.83

Accent Lights 7W

Note: Data per head

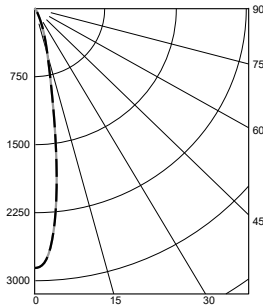
Spot (SP) Distribution, 13°
LTL #1274675
Lumens: 451



Candelas at Nadir

Deg	Candela
0	4861
5	3303
15	444
25	63
35	22
45	14

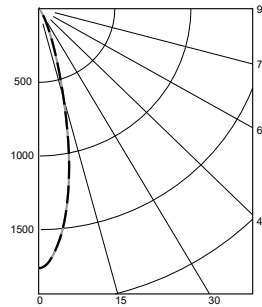
Narrow Flood (NF) Distribution, 18°
LTL#1274676
Lumens: 429



Candelas at Nadir

Deg	Candela
0	2860
5	2357
15	490
25	126
35	40
45	14

Flood (FL) Distribution, 28°
LTL # 1274677
Lumens: 440



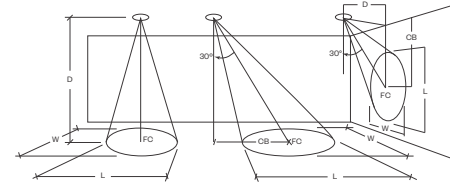
Candelas at Nadir

Deg	Candela
0	1760
5	1578
15	652
25	160
35	42
45	13

APPLICATION DATA:

Notes and Definitions:

- Beam spread is to 50% center beam candlepower (CBCP).
- D=Distance to floor or wall.
- FC=Footcandles on floor or wall at center beam aiming location.
- L=Effective Visual Beam length in feet (50% of maximum footcandle level).
- W=Effective Visual Beam width in feet (50% of maximum footcandle level).
- CB=Distance across or down to center beam location.



0° Aiming Angle Horizontal Footcandles



30° Aiming Angle Horizontal Footcandles



30° Aiming Angle Vertical Footcandles



60° Aiming Angle Vertical Footcandles

	0° Aiming Angle Horizontal Footcandles				30° Aiming Angle Horizontal Footcandles					30° Aiming Angle Vertical Footcandles					60° Aiming Angle Vertical Footcandles				
	D	FC	L	W	D	FC	L	W	CB	D	FC	L	W	CB	D	FC	L	W	CB
Spot	5.0'	194	1.2	1.2	5.0'	125	1.5	1.3	3.0	3.0'	73	2.9	1.3	5.0	3.0'	253	1.3	1.1	2.0
	7.5'	86	1.7	1.7	7.5'	55	2.4	2.0	4.0	4.0'	42	3.5	1.7	6.0	4.0'	181	1.5	1.1	2.0
	10.0'	49	2.5	2.5	10.0'	31	3.3	2.9	6.0	5.0'	27	4.2	2.4	8.0	5.0'	121	1.7	1.4	3.0
	12.5'	31	3.0	3.0	12.5'	21	3.9	3.4	7.0	6.0'	19	5.2	2.8	9.0	6.0'	80	2.2	1.6	3.0
Narrow Flood	5.0'	115	1.4	1.4	5.0'	74	2.0	1.6	3.0	3.0'	45	3.2	1.5	4.0	3.0'	168	1.5	1.2	2.0
	7.5'	51	2.3	2.3	7.5'	34	2.9	2.7	4.0	4.0'	28	3.9	2.1	6.0	4.0'	119	1.7	1.3	2.0
	10.0'	29	3.1	3.1	10.0'	19	3.9	3.4	5.0	5.0'	18	4.9	2.8	7.0	5.0'	72	2.1	1.6	3.0
	12.5'	18	3.7	3.7	12.5'	12	4.8	1.2	7.0	6.0'	13	5.9	3.2	9.0	6.0'	53	2.4	1.9	3.0
Flood	5.0'	71	2.2	2.2	5.0'	46	2.9	2.6	3.0	3.0'	35	3.4	2.2	4.0	3.0'	107	2.1	1.5	2.0
	7.5'	31	3.2	3.2	7.5'	21	4.0	3.6	4.0	4.0'	20	4.5	2.9	5.0	4.0'	75	2.2	1.9	2.0
	10.0'	18	4.4	4.4	10.0'	12	5.4	4.9	5.0	5.0'	13	5.7	3.6	6.0	5.0'	45	2.9	2.7	3.0
	12.5'	11	5.4	5.4	12.5'	8	6.9	6.2	6.0	6.0'	9	7.0	4.4	8.0	6.0'	33	3.3	2.9	3.0

Linea[®] 2.5" D/I with Accents

Linear Direct/Indirect with Adjustable Accents, LED



PROJECT:

TYPE:

DIMMING COMPATIBILITY:

Amerlux[®] Linea fixtures are compatible with all major dimming protocols prevalent in the United States. Please see below for general compatibilities and wiring diagrams. Amerlux recommends testing your unique dimming configuration as the exact full configuration (Dimmer, Fixture Quantity, Voltage, etc) may affect dimming performance.

--- NOTE: INFORMATION BELOW IS FOR WIRED DIMMERS ONLY. FOR WIRELESS DIMMERS, CONSULT FACTORY ---

0-10V - DIMMING (Standard)

Integrates into a variety of building management and daylighting controls

Notes:

- 120VAC or 277VAC*
- Dims down to 1% light output
- Requires interface to turn off power to driver
- Consult Dimming manufacturer for installation instructions - DO NOT SHARE NEUTRALS!

Compatible Dimmers†:

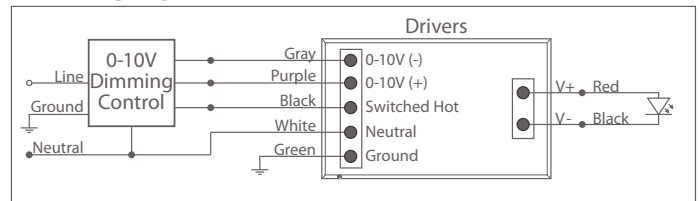
Wall Box

Lutron:	Wattstopper:	Leviton:
Diva - DVSTV	ADF-120277	Renoir II
Maestro - MS-Z101		
Nova-T - NTSTV-DV		

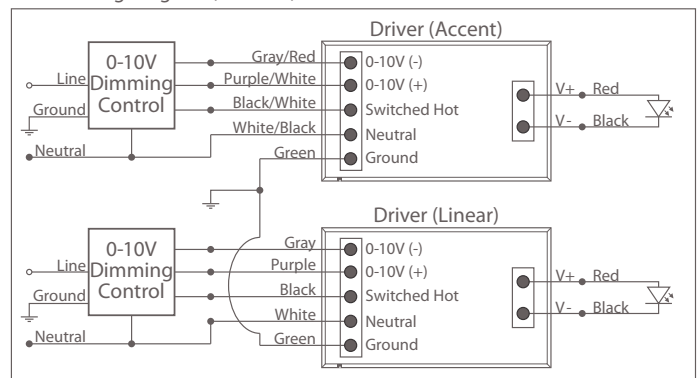
Center System

Lutron Grafikx Eye with GRX-TV1 Interface

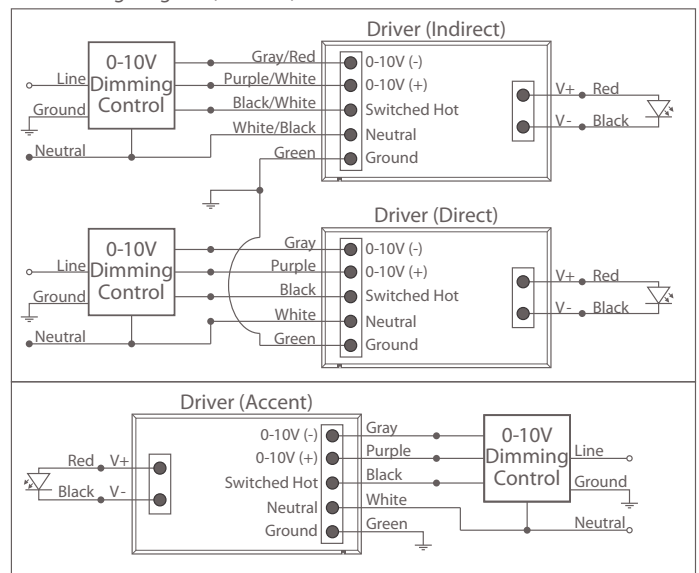
0-10V Wiring Diagram (1 Circuit)



0-10V Wiring Diagram (2 Circuit)



0-10V Wiring Diagram (3 Circuit)



Notes:

- * Driver is 277VAC dimmable with appropriate dimmer (by others). All provided wiring diagrams show 120V wiring colors and method. Please refer to 277VAC dimmer installation instructions for 277VAC wiring diagrams.
- † The absence of a dimmer from the lists above does not imply incompatibility. Please consult factory for compatibility inquiries.

Linea[®] 2.5" D/I with Accents

Linear Direct/Indirect with Adjustable Accents, LED



PROJECT:

TYPE:

DIMMING COMPATIBILITY:

Amerlux[®] Linea fixtures are compatible with all major dimming protocols prevalent in the United States. Please see below for general compatibilities and wiring diagrams. Amerlux recommends testing your unique dimming configuration as the exact full configuration (Dimmer, Fixture Quantity, Voltage, etc) may affect dimming performance.

--- NOTE: INFORMATION BELOW IS FOR WIRED DIMMERS ONLY. FOR WIRELESS DIMMERS, CONSULT FACTORY ---

DALI - DALI DIMMING 120V-277V

Digital control protocol allows individual fixture control

Notes:

- 120VAC - 277VAC*
- Dims down to 1% light output in most cases

Compatible Dimmers†:

Wall Box

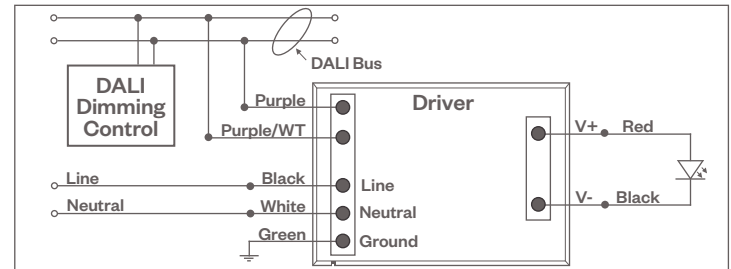
Leviton CD250 Controller

Center System

Dynalite

Fifth Light

DALI Wiring Diagram



Notes:

- * Driver is 277VAC dimmable with appropriate dimmer (by others). All provided wiring diagrams show 120VAC wiring colors and method. Please refer to 277VAC dimmer installation instructions for 277VAC wiring diagrams.
- † The absence of a dimmer from the lists above does not imply incompatibility. Please consult factory for compatibility inquiries.