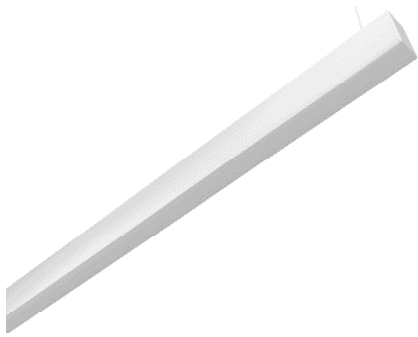


Linea® 1.5"

Linear Indirect LED



Features

Linea drives your design scenario, seamlessly. Streamlined and flexible, these architectural LED pendants provide the freedom to create truly dynamic spaces. A synthesis of aesthetics, performance and energy efficiency, the Linea family delivers on its promises. Our tiny new Linea 1.5" pendant proves when it comes to lighting, less really is more. Linea. The power of disciplined design.

Product Overview

| | | |
|---------------------|--|--|
| Type: | Cable Suspended or Wall Mounted Indirect | |
| Wattage: | 5W/ft, 10W/ft (other wattages available see p2) | |
| Color Temp: | 2700K, 3000K, 3500K, 4000K; Tunable White (2700K-5700K) | |
| CRI: | 83 or 90+ typ. (2700K, 3000K, 3500K, 4000K) 90+ (Tunable White) | |
| Dimming (wired): | Static White | Tunable White |
| | 0-10V, 1% dimming (standard) | 0-10V TW, 1% dimming |
| | Lutron LDE1 Hi-lume® 1% Soft-On/Fade-to-Black | DALI DT8, 1% digital dimming |
| | DALI dimming, 1% dim | |
| Dimming (wireless): | Enlighted Sensor | Enlighted Sensor TW |
| | Lutron Athena (integral wireless RF node) | Lutron Athena TW (integral wireless RF node) |

*International version available, see website for spec sheet.

PROJECT:

TYPE:

Fixture Summary (see following pages for more information)

Performance Chart (4' Fixture)

| Nominal Wattage/Foot | Delivered Lumens | LPW | Color Temp-CRI |
|----------------------|------------------|-------|----------------|
| 5 | 2095 | 123.8 | 3500K-83 |
| 10 | 3948 | 116.9 | 3500K-83 |

Data is based on 3500K-83 IES files available on website
Data is based on 4' fixture with Batwing uplight lens

Runs

Individual Runs: 2' - 8' (whole foot standard)

Continuous Runs: Available (whole foot standard)

Custom: Made to measure available (nearest 1/8" of field dimensions).

Requires approval drawings. Added cost & lead time.

Electrical Data

| Wattage Per Foot | | 4' | | 8' | |
|------------------|------|--------------|------|--------------|------|
| | | System Watts | Amps | System Watts | Amps |
| 5 | 120V | 16.9 | 0.14 | 33.8 | 0.28 |
| | 277V | 16.9 | 0.06 | 33.8 | 0.12 |
| 10 | 120V | 33.8 | 0.28 | 67.6 | 0.56 |
| | 277V | 33.8 | 0.12 | 67.6 | 0.24 |

Electronic multi-volt (120-277VAC), constant current LED driver

Standard Patterns

| " L " | " J " | " U " | " □ " | " Z " | Wall to Ceiling | Custom* |
|-------|-------|-------|-------|-------|-----------------|---------|
| Yes | Yes | Yes | Yes | Yes | No | Yes |

* Submit drawing, consult factory



Linea[®] 1.5" Indirect

Linear Indirect LED



PROJECT:

TYPE:

Ordering Information



1 Model
LIN1.5I-A16*

2 Optics
BAT - batwing uplight (standard)
UC - upper clear lens cover

3 Mounting
Pendant Mount (aircraft cable suspension)
ASW10 - through ceiling tile or gyp board, white, 10'
ASW20 - through ceiling tile or gyp board, white, 20'
ASB10 - through ceiling tile or gyp board, black, 10'
ASB20 - through ceiling tile or gyp board, black, 20'
ASW10T - over ceiling tee, white, 10'
ASW20T - over ceiling tee, white, 20'
ASB10T - over ceiling tee, black, 10'
ASB20T - over ceiling tee, black, 20'

Wall Mount
WM - wall mount

4 Wattage (per foot)
Standard:
5 - 5W/ft
10 - 10W/ft
Optional:
3 - 3W/ft (4' minimum length required)
4 - 4W/ft (4' minimum length required)
6 - 6W/ft
7 - 7W/ft
8 - 8W/ft
9 - 9W/ft

5 Color Temp-CRI
Static White:
27 - 2700K-83
30 - 3000K-83
35 - 3500K-83
40 - 4000K-83
279 - 2700K-90+
309 - 3000K-90+
359 - 3500K-90+
409 - 4000K-90+

Tunable White:
TW9-2757 - tunable white, 90 CRI (2700K-5700K)

6 Finish
HW - high reflectance matte white
BT - black texture
ST - silver texture
For other RAL color, consult factory

7 Voltage
120/277

8 Length

| (Length A) | (Length B) | (Length C) |
|---------------------|-----------------------|---------------------|
| Length A (used for) | Length B (used for) | Length C (used for) |
| - all patterns | - all patterns | - PU |
| - IND/IND-S+ | - PR - 2 lengths of 2 | - PZ |
| - CON/CON-S+ | | |
| - CUS | | |

9 Configuration
IND¹ - individual fixture, 2' to 8' in 1' increments
CON - continuous run > than 8', specify to nearest foot
CUS - custom made to measure, +/- 1/8" of customer supplied field dimensions

Standard Patterns (see page 6 for details):
PLL - L left, (2) straights + (1) 90° corner, leg right
PLR - L right, (2) straights + (1) 90° corner, leg left
PU - U shape, (3) straight lengths + (2) 90° corners
PR - Rectangle, (4) straight lengths + (4) 90° corners
PZ - Z shape, (3) straight lengths + (2) 90° corners
For custom patterns, submit EDR on amerlux.com

10 Drivers/Controls
Wired - Static White:
0-10V - 1% analogue dimming, 120-277VAC, Dim to off when selected with wireless dimming control
HILUME-H-ECO - Lutron LDE1 Hi-lume® 1% Soft-On/Fade-to-Black
DALI - DALI Dimming 120-277VAC, 1% dim
Wired - Tunable White:
0-10V TW - 1% dimming, multi-volt (120V-277V) constant current
DALI DT8 - 1% digital dimming, CCT control per DALI DT8, (120V-277V) constant current

Wireless - Static White:
ENLS-SR - Enlighted sensor, energy metering
ENLS-010 - Enlighted sensor with controller unit
AWN-R-WH-SR - Lutron Athena wireless node, RF only, white, D4i/DALI-2
AWN-R-BL-SR - Lutron Athena wireless node, RF only, black, D4i/DALI-2
AWN-R-WH-010 - Lutron Athena wireless node, RF only, white, 0-10V
AWN-R-BL-010 - Lutron Athena wireless node, RF only, black, 0-10V
AWN-S-OCC-WH-SR - Lutron Athena wireless node, Occupancy & Daylight sensor, white, D4i/DALI-2
AWN-S-OCC-BL-SR - Lutron Athena wireless node, Occupancy & Daylight sensor, black, D4i/DALI-2
Wireless - Tunable White:
ENLS-SR-TW - Enlighted sensor, energy metering
AWN-R-WH-SR-TW - Lutron Athena wireless node, RF only, white, D4i/DALI-2
AWN-R-BL-SR-TW - Lutron Athena wireless node, RF only, black, D4i/DALI-2
AWN-S-OCC-WH-SR-TW - Lutron Athena wireless node, Occupancy & Daylight sensor, white, D4i/DALI-2
AWN-S-OCC-BL-SR-TW - Lutron Athena wireless node, Occupancy & Daylight sensor, black, D4i/DALI-2

11 Options/Accessories
EMC-PF² - emergency circuit requires power feed located in last fixture section (for other locations consult factory)
PF² - Extra power feed for additional circuiting
EMB* - emergency battery pack (not available for lengths under 4')

1 - Lengths less than 4' may have restrictions based upon wattage, lengths, drivers or other options.

2 - Not available with IND (individual) configuration.

* The "A" refers to the sequential revision in a year and "XX" refers to the year of update. Updates coincide with improved performance while not changing the overall fixture aesthetic and are reflected in the published performance data. Please contact your Amerlux representative for explanations of changes.

Linea[®] 1.5" Indirect

Linear Indirect LED



PROJECT:

TYPE:

Specifications

Application

Open office plan, conference rooms, corridors or any indoor space where even, indirect ambient lighting is desired.

Construction

One piece extruded aluminum housing. Die-cast End Plates match fixture body finish. Die-formed, cold-rolled steel internal components are protected against rust and corrosion.

Optical

Extruded acrylic lens with a maximum length of 8'. Amerlux's proprietary acrylic batwing lens was developed for this housing to provide excellent transmission while spreading light for even ceiling brightness and maximum row spacing.

BAT - Batwing uplight lens spreads light directly above fixture. 18" minimum distance between ceiling plane and top of fixture suggested. Batwing standard

UC - Upper Clear lens cover

LED

Amerlux's boards and patented connector design with brand name LEDs enables Amerlux fixtures to have excellent thermal management and offer a 5 year warranty. Our LED binning is within 3 MacAdam ellipse. Boards are configured for maximum flexibility resulting in even illumination no matter the fixture layout. LED boards are easily replaced in the field with just a Phillips screw driver.

| Static White | Tunable White |
|--|---------------|
| CCT: 2700K, 3000K, 3500K, 4000K | 2700K-5700K |
| CRI: 83 or 90+ typical | 90+ (92 typ) |
| R9: 16 @ CRI 83; >50 @ CRI 90+ | >50 |

Life: 50,000+ hr, > 70% of initial lumens (L70)

Electrical

Wiring: Individual and "Beginning of Run" (BOR) fixtures are prewired with power cord. All configurations have quick connect power harnesses for row connections.

Standard Wattage: 5W/ft, 10W/ft.

Optional Wattages: 3W/ft, 4W/ft, 6W/ft, 7W/ft, 8W/ft, 9W/ft. (3W & 4W have a minimum length of 4'). For other wattages consult factory. Emergency circuit via remote inverter or auxiliary emergency power supply (by others).

This product complies with IEEE C62.41 for surge endurance up to 2.5KV. Amerlux[®] recommends using additional surge protection with this unit (supplied by others), surge and over voltage damage is not covered under warranty.

EMC-PF - Emergency circuit requires power feed to be located in last fixture section for continuous runs. For other locations consult factory. Not available for individual (IND) configuration.

PF - Extra power feed for additional circuiting. Not available for individual (IND) configuration.

Finish

All painted surfaces are premium powder coated baked on for maximum durability and color stability.

HW - High reflective matte White

BT - Black Texture

ST - Silver Texture

For special paint colors supply RAL and/or actual paint chip for factory consultation.

Configurations/Lengths

IND - Individual fixtures are made of single standard lengths of 2 ft to 8 ft (in 1' increments). These are stand alone fixtures with matching End Caps, supplied with the mounting hardware. Lengths less than 4' may have restrictions based upon wattage, lengths, drivers or other options.

CON - Continuous runs, > 8', specified to nearest whole foot length in 1' increments. Runs made from standard lengths have End Caps at the beginning and end of run. Runs > 60' may require second power feed. Each Housing has factory installed alignment pins. Mating fixtures are easily aligned and joined using alignment pins and brackets. Wiring is made fast and positive with molded quick connectors.

CUS - Custom made to measure runs are made to nearest 1/8" of customer supplied field measurements or drawings. Custom lengths use the same hardware for hairline joining.

PXX - Standard Patterns consist of 90° corners with standard lengths (4' to 8' in 1' increments), continuous runs or made to measure lengths. Depending upon complexity of the pattern drawings may be required from the customer. When ordering please give overall lengths.

A'-B'-PLL - L Left - (1) 90° Corner 2 segments. Specify overall segments: A' & B'

A'-B'-PLR - L Right - (1) 90° Corner 2 segments. Specify overall segments: A' & B'

A'-B'-PR - Rectangle - (4) 90° Corners joining 4 segments. Specify overall segments: A' & B'

A'-B'-C'-PU - U shape - (2) 90° Corners joining 3 segments. Specify overall segments: A', B', & C'

A'-B'-C'-PZ - Z shape - (2) 90° Corners joining 3 segments. Specify overall segments: A', B', & C'

See page 6 for layouts.

PC - Custom Patterns may use standard lengths, Made To Measure, 90° or other corners (some limitations). Please provide drawing & consult factory.

Mounting

The Linea 1.5 Indirect is intended to be pendant or wall mounted in continuous rows. For indirect lighting Amerlux suggests 18" min from top of fixture to ceiling. Standard or custom patterns available.

LINI.5I-A16...ASW10 - Indirect pendant installed in center of ceiling tile or gypsum board ceiling (standard) i.e. ASW10. Or if canopy is installed on a grid Tee runner add, **T** i.e. ASWIOT.

Cable Suspension: Cable is stranded stainless steel wire. All fittings are protected against rust and corrosion. Canopies are 5" x 1/4" die formed painted steel. Adjustment mechanism allows for infinite height adjustment. Amerlux recommends the required feed and non-feed suspensions based upon length and electrical options. Options include: color of canopy and power cord (black or white), length 10' or 20', and mounting condition, in center of ceiling tile and in gypsum board ceiling (standard) i.e. ASW10. Or if canopy is installed on a grid Tee runner add, **T** i.e. ASWIOT

LINI.5I-A16...WM - Indirect Wall Mounted using steel cleat bracket attached to fixture housing and wall bracket with set screws. Two bracket assemblies are used for each length under 8'. A third center bracket may be recommended. J box required at feed locations.

Options

EMB - Emergency battery pack - 10W output power, 90 min of illumination time, up to 1300 lm of initial light output. Illuminated test-switch/charging indicator light is provided. Wattage consumption by EM: 2.5W/ft (4ft fixture), 1.66W/ft (6ft fixture), 1.25W/ft (8ft fixture). Request can be made to light up 4ft section on 8ft unit.

Certifications

Approved to UL standards for damp locations as tested by CSA
Intended for indoor use only

Warranty

Amerlux's 5 year limited warranty. Please consult Amerlux website for details.

Linea[®] 1.5" Indirect

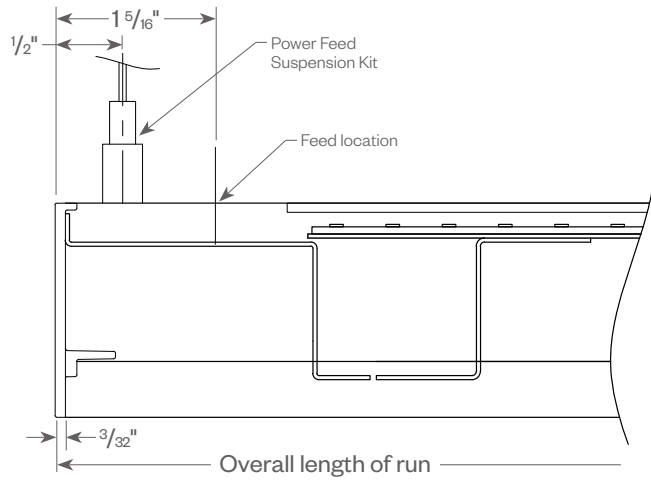
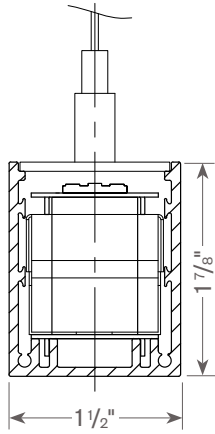
Linear Indirect LED



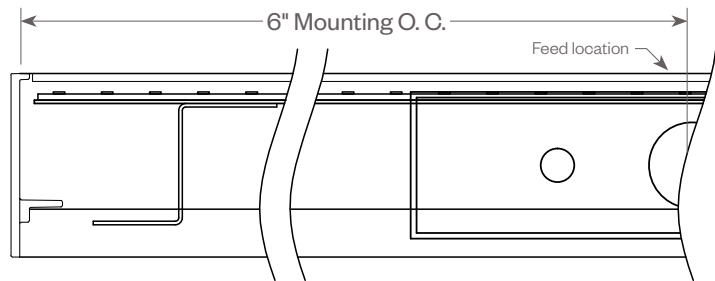
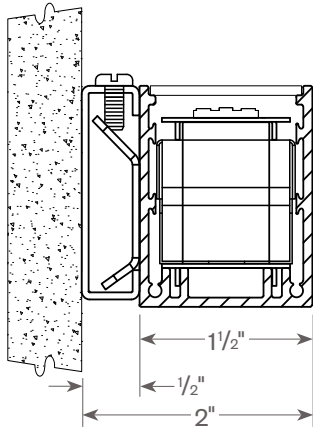
PROJECT:

TYPE:

LINEA 1.5" INDIRECT



LINEA 1.5" INDIRECT WALL MOUNT



Linea[®] 1.5" Indirect

Linear Indirect LED

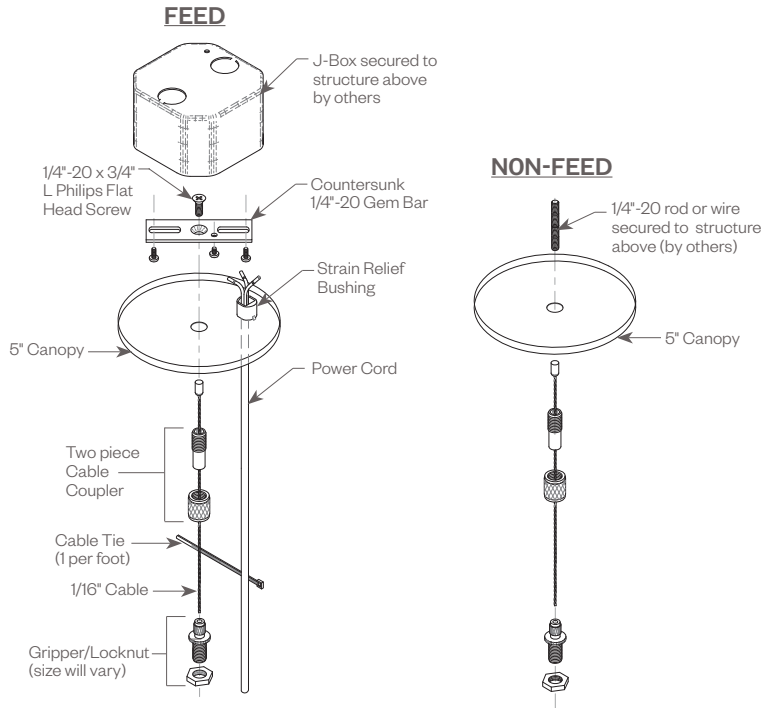


PROJECT:

TYPE:

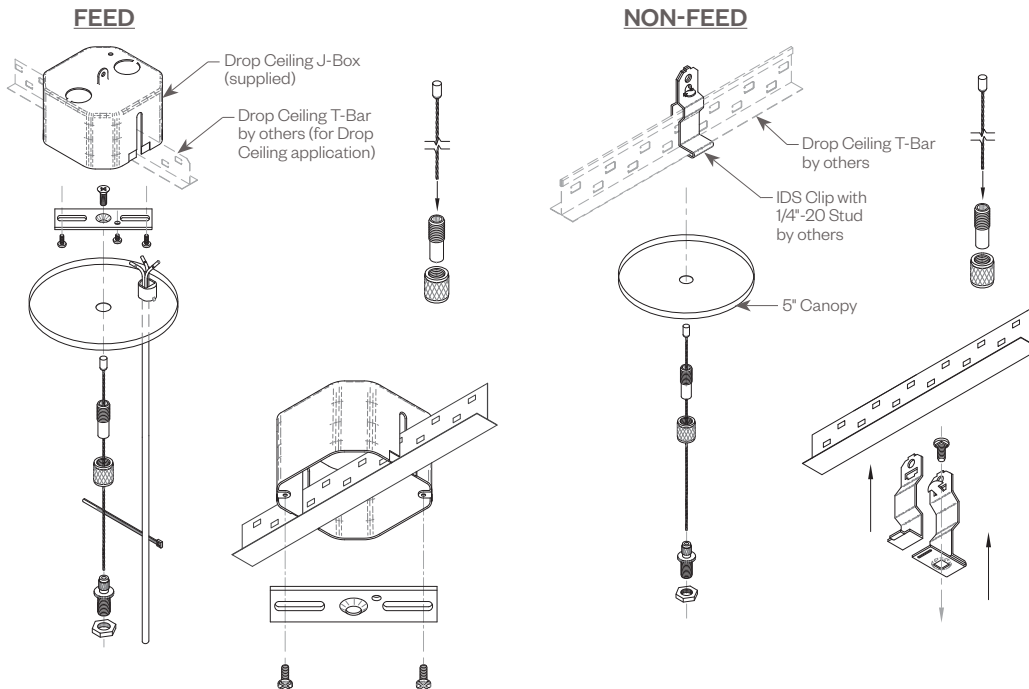
CABLE KIT SUSPENSION OPTIONS:

CEILING OR GYPSUM BOARD (ASW10, ASW20, ASB10, ASB20)



| Cat# | Length | Cord/Canopy | Application |
|--------|--------|-------------|---------------------|
| ASW10 | 10' | white/white | ceiling tile/gypsum |
| ASW20 | 20' | white/white | ceiling tile/gypsum |
| ASB10 | 10' | black/black | ceiling tile/gypsum |
| ASB20 | 20' | black/black | ceiling tile/gypsum |
| ASW10T | 10' | white/white | ceiling tee |
| ASW20T | 20' | white/white | ceiling tee |
| ASB10T | 10' | black/black | ceiling tee |
| ASB20T | 20' | black/black | ceiling tee |

TEE GRID OR SCREW SLOT (ASW10T, ASW20T, ASB10T, ASB20T)



Linea[®] 1.5" Indirect

Linear Indirect LED



PROJECT:

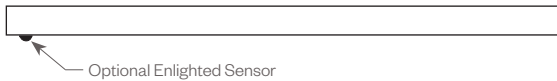
TYPE:

OPTIONAL SENSOR/RF NODE:

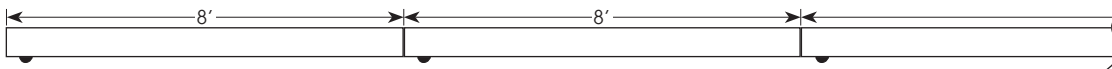
Amerlux[®] has partnered with control companies to create building environments that are safer, and smarter, than ever before. At the heart of our partnership is intelligent RF nodes and Smart Sensor, the most advanced digital wireless communication and sensors available today. Integrated into Amerlux products.

Minimum run length is 3' for wireless sensor and RF node.

INDIVIDUAL (MIN 3' LENGTH)



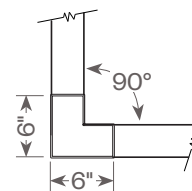
RUNS



LINEA 1.5" PATTERNS:

Standard Patterns

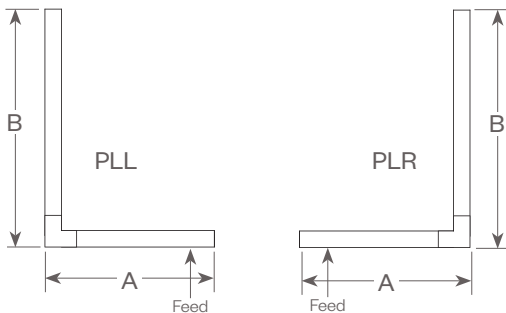
All corners are standard 90°, standard length legs.
 Use standard lengths: 4' min to 8' in 1 foot increments.
 Continuous runs must be the same length in pairs for closed configuration.



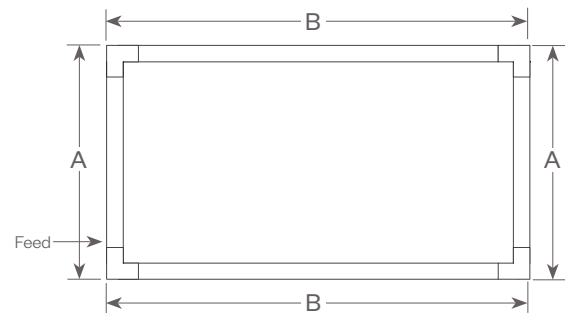
Linea 1.5 Indirect
Solid, not lit

Custom Patterns

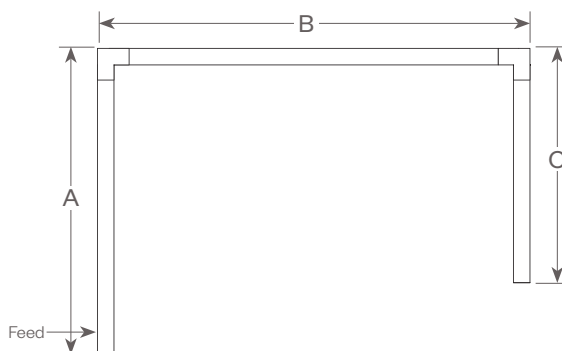
Please provide drawings of your configuration.
 Made to Measure: +/- 1/8", consult factory.
 PC - custom pattern, please provide drawings and consult factory



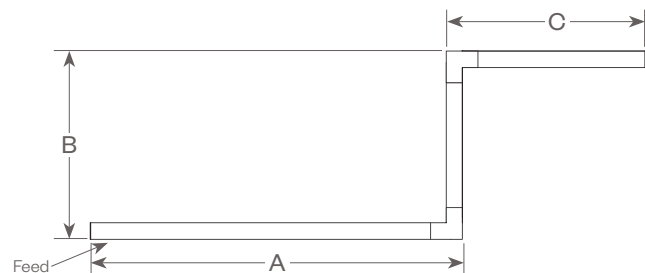
PLL - L Left, (2) straights + (1) 90° corner, leg right
PLR - L Right, (2) straights + (1) 90° corner, leg left
 Provide overall lengths: A' & B'
 Nomenclature: A-B-PLL A-B-PLR



PR - Closed Rectangle, (4) straight lengths + (4) 90° corners
 Provide overall lengths: A' & B'
 Nomenclature: A-B-PR



PU - Open U, (3) straight lengths + (2) 90° corners
 Provide overall lengths: A', B' & C'
 Nomenclature: A-B-C-PU



PZ - Open Z, (3) straight lengths + (2) 90° corners
 Provide overall lengths: A', B' & C'
 Nomenclature: A-B-C-PZ

Linea[®] 1.5" Indirect

Linear Indirect LED



PROJECT:

TYPE:

FIXTURE DATA:

MULTIPLYING FACTORS: (Multiplying Factor is based on 3500K-83 120V IES file on website)

| Wattage: | 3W | 4W | 5W | 6W | 7W | 8W | 9W | 10W |
|----------|------|------|------|------|------|------|------|-----|
| Factor: | 0.31 | 0.42 | 0.53 | 0.63 | 0.72 | 0.81 | 0.90 | 1.0 |

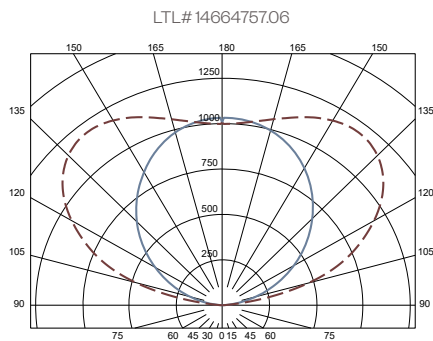
| CCT Factors: | | | | | TW9 |
|--------------|-------|-------|-------|-------|----------|
| CRI | 2700K | 3000K | 3500K | 4000K | (@3500K) |
| 83 | 0.92 | 0.97 | 1.0 | 1.02 | - |
| 90 | 0.81 | 0.84 | 0.86 | 0.89 | 0.86 |

LINEA 1.5" INDIRECT BATWING LENS 10W 3500K 4FT

Total Watts: 34

Total Lumens: 3948

Source: 88 White LED's



ZONAL LUMEN SUMMARY

| Zone | Lumens | %Fixt |
|--------|--------|-------|
| 0-40 | 0 | 0.0 |
| 0-60 | 0 | 0.0 |
| 0-90 | 0 | 0.0 |
| 90-180 | 3948 | 100.0 |

Efficacy = 116.9 Lumens /Watt

COEFFICIENTS OF UTILIZATION

Effective Floor Cavity Reflectance 20%

| RC | 80 | | | |
|-----|----|----|----|----|
| | 70 | 50 | 30 | 10 |
| ROR | | | | |
| 0 | 95 | 95 | 95 | 95 |
| 1 | 87 | 83 | 79 | 76 |
| 2 | 79 | 72 | 66 | 62 |
| 3 | 72 | 63 | 57 | 51 |
| 4 | 65 | 56 | 48 | 43 |
| 5 | 60 | 49 | 42 | 36 |
| 6 | 55 | 44 | 36 | 31 |
| 7 | 50 | 39 | 32 | 27 |
| 8 | 47 | 35 | 28 | 23 |
| 9 | 43 | 32 | 25 | 20 |
| 10 | 40 | 29 | 22 | 18 |

Note: Values expressed as percent of total lumen output delivered to the task surface.

Linea[®] 1.5" Indirect

Linear Indirect LED



PROJECT:

TYPE:

STATIC WHITE - DIMMING COMPATIBILITY:

Amerlux[®] Linea fixtures are compatible with all major dimming protocols prevalent in the United States. Please see below for general compatibilities and wiring diagrams. Amerlux recommends testing your unique dimming configuration as the exact full configuration (Dimmer, Fixture Quantity, Voltage, etc) may affect dimming performance.

--- NOTE: INFORMATION BELOW IS FOR WIRED DIMMERS ONLY. FOR WIRELESS DIMMERS, CONSULT FACTORY ---

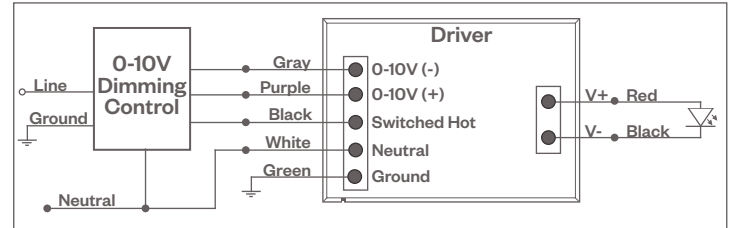
0-10V - DIMMING (Standard)

Integrates into a variety of building management and daylighting controls

Notes:

- 120V or 277V*
- Dims down to 1% light output
- Requires interface to turn off power to driver
- Consult Dimming manufacturer for installation instructions - DO NOT SHARE NEUTRALS!

0-10V Wiring Diagram



Compatible Dimmers[†]:

Wall Box

Lutron:

Diva - DVSTV
Maestro - MS-Z101
Nova-T - NTSTV-DV

Wattstopper:

ADF-120277

Leviton:

Renoir II

Center System

Lutron Grafikx Eye with GRX-TV1 Interface

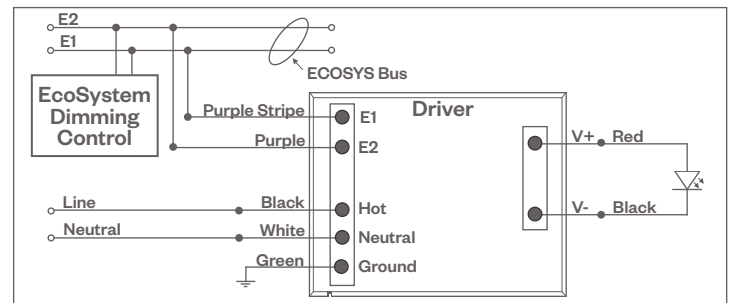
LUTRON LDE1 DIMMING

Integrates into Lutron EcoSystem building management

Notes:

- 120VAC or 277VAC*
- Dims down to 1% Soft-On/Fade-to-Black
- EcoSystem Control
- Consult Dimming manufacturer for installation instructions - DO NOT SHARE NEUTRALS!

Lutron LDE1 (HILUME-H-ECO) EcoSystem Digital Control Wiring Diagram



Compatible Dimmers[†]:

Lutron ECO System

Pow Pak Dimming Modules
Energi Savr Node
Grafikx Eye QS/Homeworks
QS Control Unit
Quantum Hub
Homeworks QS/My Room

Central System

Lutron EcoSystem compatible controls

Notes:

* Driver is 277VAC dimmable with appropriate dimmer (by others). All provided wiring diagrams show 120VAC wiring colors and method. Please refer to 277VAC dimmer installation instructions for 277VAC wiring diagrams.

† The absence of a dimmer from the lists above does not imply incompatibility. Please consult factory for compatibility inquiries.

Linea[®] 1.5" Indirect

Linear Indirect LED



PROJECT:

TYPE:

STATIC WHITE - DIMMING COMPATIBILITY:

Amerlux[®] Linea fixtures are compatible with all major dimming protocols prevalent in the United States. Please see below for general compatibilities and wiring diagrams. Amerlux recommends testing your unique dimming configuration as the exact full configuration (Dimmer, Fixture Quantity, Voltage, etc) may affect dimming performance.

--- NOTE: INFORMATION BELOW IS FOR WIRED DIMMERS ONLY. FOR WIRELESS DIMMERS, CONSULT FACTORY ---

DALI - DALI DIMMING 120V-277V

Digital control protocol allows individual fixture control

Notes:

- 120VAC - 277VAC*
- Dims down to 1% light output in most cases

Compatible Dimmers†:

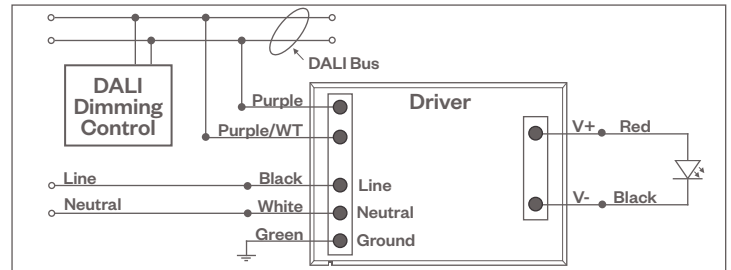
Wall Box

Leviton CD250 Controller

Center System

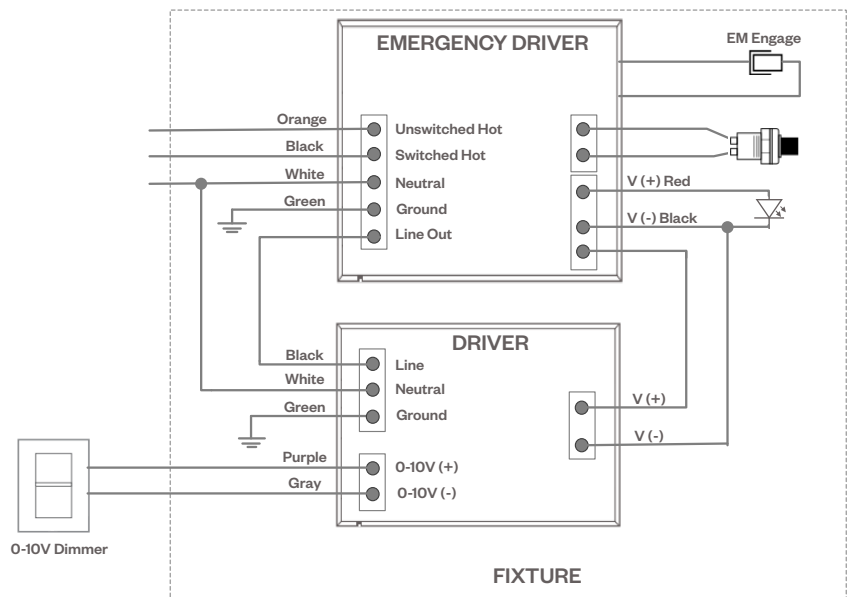
Dynalite
Fifth Light

DALI Wiring Diagram



EMERGENCY FIXTURE WITH BUILT-IN BATTERY PACK (EMB) WIRING:

Note: EMB not available on lengths under 4'.



Notes:

* Driver is 277VAC dimmable with appropriate dimmer (by others). All provided wiring diagrams show 120VAC wiring colors and method. Please refer to 277VAC dimmer installation instructions for 277VAC wiring diagrams.

† The absence of a dimmer from the lists above does not imply incompatibility. Please consult factory for compatibility inquiries.

Linea[®] 1.5" Indirect

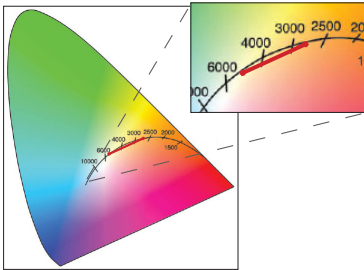
Linear Indirect LED



PROJECT:

TYPE:

TUNABLE WHITE



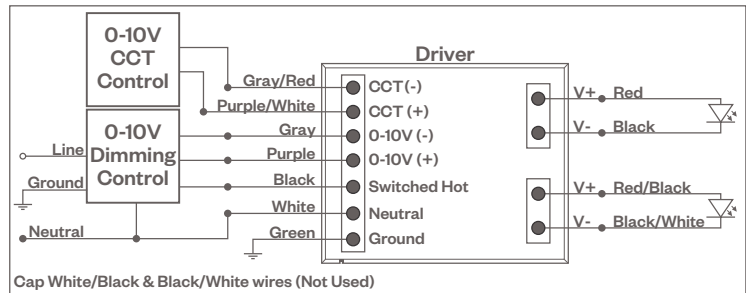
Tunable White range from 2700K-5700K, 90 CRI.
See wiring diagrams below.

TUNABLE WHITE - DIMMING COMPATIBILITY:

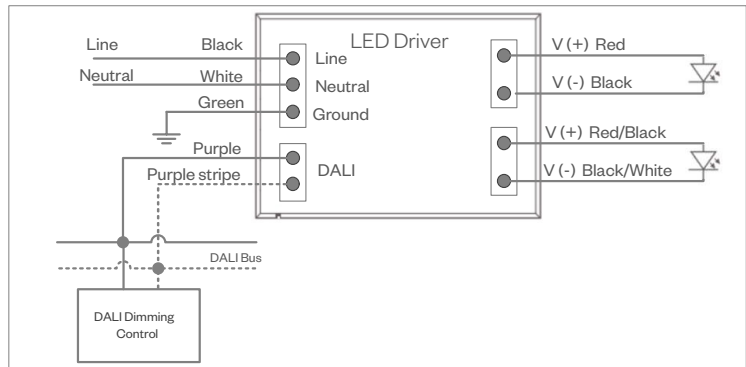
Amerlux[®] Linea fixtures are compatible with all major dimming protocols prevalent in the United States. Please see below for general compatibilities and wiring diagrams. Amerlux recommends testing your unique dimming configuration as the exact full configuration (Dimmer, Fixture Quantity, Voltage, etc) may affect dimming performance.

--- NOTE: INFORMATION BELOW IS FOR WIRED DIMMERS ONLY. FOR WIRELESS DIMMERS, CONSULT FACTORY ---

0-10V Wiring Diagram



DALI DT8 Wiring Diagram



Notes:

* Driver is 277VAC dimmable with appropriate dimmer (by others). All provided wiring diagrams show 120VAC wiring colors and method. Please refer to 277VAC dimmer installation instructions for 277VAC wiring diagrams.

† The absence of a dimmer from the lists above does not imply incompatibility. Please consult factory for compatibility inquiries.