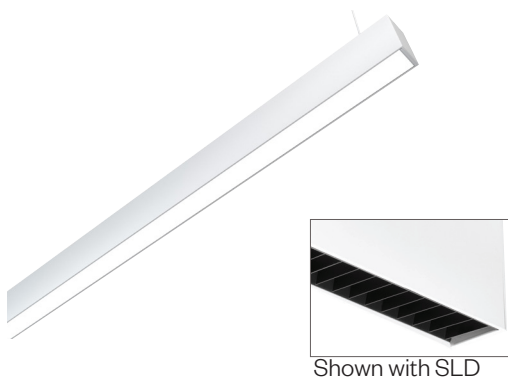


Linea® 1.5"

Linear Direct/Indirect LED



Features

Linea drives your design scenario, seamlessly. Streamlined and flexible, these architectural LED pendants provide the freedom to create truly dynamic spaces. A synthesis of aesthetics, performance and energy efficiency, the Linea family delivers on its promises. Our tiny new Linea 1.5" pendant proves when it comes to lighting, less really is more. Linea. The power of disciplined design.

Product Overview

Type:	Direct/Indirect Lens, Louver Down/Batwing, Clear lens up	
Wattage:	5W/ft, 10W/ft (other wattages available see p2)	
Color Temp:	2700K, 3000K, 3500K, 4000K; Tunable White (2700K-5700K)	
CRI:	83 or 90+ typ. (2700K, 3000K, 3500K, 4000K) 90+ (Tunable White)	
Dimming (wired):	<u>Static White</u>	<u>Tunable White</u>
	0-10V, 1% dimming (standard)	0-10V TW, 1% dimming
	Lutron LDE1 Hi-lume® 1% Soft-On/Fade-to-Black	DALI DT8, 1% digital dimming
	DALI dimming, 1% dim	
Dimming (wireless):	Enlighted Sensor	Enlighted Sensor TW
	Lutron Athena (integral wireless RF node)	Lutron Athena TW (integral wireless RF node)

PROJECT:

TYPE:

Fixture Summary (see following pages for more information)

Performance Chart (4' Fixture)

Nominal Wattage/Foot	Delivered Lumens			LPW	Color Temp-CRI
	Direct	Indirect	Total		
5/5	1920	2095	4015	114.4	3500K-83
10/10	3691	3948	7639	108.7	3500K-83

Data is based on 3500K-83 IES files available on website

Data is based on 4' fixture with Performance Lens direct & Batwing Lens indirect

Runs

Individual Runs: 2' - 8' (whole foot standard)

Continuous Runs: Available (whole foot standard)

Custom: Made to measure available (nearest 1/8" of field dimensions).

Requires approval drawings. Added cost & lead time.

Electrical Data

Wattage Per Foot		4'		8'	
		System Watts	Amps	System Watts	Amps
10	120V	35.1	0.29	70.2	0.59
	277V	35.1	0.13	70.2	0.25
20	120V	70.3	0.59	140.6	1.17
	277V	70.3	0.25	140.6	0.51

Electronic multi-volt (120V-277V), constant current LED driver

Standard Patterns

"L"	"J"	"U"	"□"	"┘"	Wall to Ceiling	Custom*
Yes	Yes	Yes	Yes	Yes	No	Yes

*Submit drawing, consult factory



Linea[®] 1.5" Direct/Indirect

Linear Direct/Indirect LED



PROJECT:

TYPE:

Ordering Information

LIN1.5DI-A16		120/277																																		
	1	2	3	4	5	6	7	8	9	10	11	12																								
1	Model LIN1.5DI-A16*																																			
2	Optics (select 1 from each list) Direct: PL - performance lens (standard) SLDW - straight blade louver, white aluminum, solid blades w/overlay SLDB - straight blade louver, black, solid blades w/overlay SLDS - straight blade louver, silver, solid blades w/overlay ASY - asymmetric lens DRPI - 1" drop lens Indirect: BAT - batwing uplight (standard) UC - upper clear lens cover																																			
3	Mounting Pendant Mount (aircraft cable suspension) ASW10 - through ceiling tile or gyp board, white, 10' ASW20 - through ceiling tile or gyp board, white, 20' ASB10 - through ceiling tile or gyp board, black, 10' ASB20 - through ceiling tile or gyp board, black, 20' ASW10T - over ceiling tee, white, 10' ASW20T - over ceiling tee, white, 20' ASB10T - over ceiling tee, black, 10' ASB20T - over ceiling tee, black, 20' Wall Mount WM - wall mount																																			
4	Circuiting 1 - single circuit 2 - up/down switch separately																																			
5	Wattage (per foot, down/up) 5/5 10/10 5/10 10/5 <i>Consult factory for other wattage options</i> <i>Note: 3' units must use same wattage for D/I components</i>																																			
6	Color Temp-CRI <table border="0"> <tr> <td colspan="4">Static White:</td> <td colspan="4">Tunable White:</td> </tr> <tr> <td>27 - 2700K-83</td> <td>279 - 2700K-90+</td> <td>30 - 3000K-83</td> <td>309 - 3000K-90+</td> <td>TW9-2757 - tunable white, 90 CRI (2700K-5700K)</td> <td></td> <td></td> <td></td> </tr> <tr> <td>35 - 3500K-83</td> <td>359 - 3500K-90+</td> <td>40 - 4000K-83</td> <td>409 - 4000K-90+</td> <td></td> <td></td> <td></td> <td></td> </tr> </table>												Static White:				Tunable White:				27 - 2700K-83	279 - 2700K-90+	30 - 3000K-83	309 - 3000K-90+	TW9-2757 - tunable white, 90 CRI (2700K-5700K)				35 - 3500K-83	359 - 3500K-90+	40 - 4000K-83	409 - 4000K-90+				
Static White:				Tunable White:																																
27 - 2700K-83	279 - 2700K-90+	30 - 3000K-83	309 - 3000K-90+	TW9-2757 - tunable white, 90 CRI (2700K-5700K)																																
35 - 3500K-83	359 - 3500K-90+	40 - 4000K-83	409 - 4000K-90+																																	
7	Finish HW - high reflectance matte white BT - black texture ST - silver texture <i>For other RAL color, consult factory</i>																																			
8	Voltage 120/277																																			
9	Length <table border="1"> <thead> <tr> <th>(Length A) Length A (used for)</th> <th>(Length B) Length B (used for)</th> <th>(Length C) Length C (used for)</th> </tr> </thead> <tbody> <tr> <td>- all patterns</td> <td>- all patterns</td> <td>- PU</td> </tr> <tr> <td>- IND</td> <td>- PR - 2 lengths of 2</td> <td>- PZ</td> </tr> <tr> <td>- CON</td> <td></td> <td></td> </tr> <tr> <td>- CUS</td> <td></td> <td></td> </tr> </tbody> </table>												(Length A) Length A (used for)	(Length B) Length B (used for)	(Length C) Length C (used for)	- all patterns	- all patterns	- PU	- IND	- PR - 2 lengths of 2	- PZ	- CON			- CUS											
(Length A) Length A (used for)	(Length B) Length B (used for)	(Length C) Length C (used for)																																		
- all patterns	- all patterns	- PU																																		
- IND	- PR - 2 lengths of 2	- PZ																																		
- CON																																				
- CUS																																				
10	Configuration IND ¹ - individual fixture, 2' to 8' in 1' increments CON - continuous run > than 8', specify to nearest foot CUS - custom made to measure, +/- 1/8" of customer supplied field dimensions Standard Patterns (see page 6 for details): PLL - L left, (2) straights + (1) 90° corner, leg right PLR - L right, (2) straights + (1) 90° corner, leg left PU - U shape, (3) straight lengths + (2) 90° corners PR - Rectangle, (4) straight lengths + (4) 90° corners PZ - Z shape, (3) straight lengths + (2) 90° corners For custom patterns, submit EDR on amerlux.com																																			
11	Drivers/Controls Wired - Static White: O-10V - 1% analogue dimming, 120-277VAC, Dim to off when selected with wireless dimming control HILUME-H-ECO - Lutron LDE1 Hi-lume® 1% Soft-On/Fade-to-Black DALI - DALI Dimming 120-277VAC, 1% dim Wired - Tunable White: O-10V TW - 1% dimming, multi-volt (120V-277V) constant current DALI DT8 - 1% digital dimming, CCT control per DALI DT8, (120V-277V) constant current Wireless - Static White: ENLS-SR - Enlighted sensor, energy metering ENLS-O10 - Enlighted sensor with controller unit AWNR-WH-SR - Lutron Athena wireless node, RF only, white, D4i/DALI-2 AWNR-BL-SR - Lutron Athena wireless node, RF only, black, D4i/DALI-2 AWNR-WH-O10 - Lutron Athena wireless node, RF only, white, 0-10V AWNR-BL-O10 - Lutron Athena wireless node, RF only, black, 0-10V AWNS-OCC-WH-SR - Lutron Athena wireless node, Occupancy & Daylight sensor, white, D4i/DALI-2 AWNS-OCC-BL-SR - Lutron Athena wireless node, Occupancy & Daylight sensor, black, D4i/DALI-2 Wireless - Tunable White: ENLS-SR-TW - Enlighted sensor, energy metering AWNR-WH-SR-TW - Lutron Athena wireless node, RF only, white, D4i/DALI-2 AWNR-BL-SR-TW - Lutron Athena wireless node, RF only, black, D4i/DALI-2 AWNS-OCC-WH-SR-TW - Lutron Athena wireless node, Occupancy & Daylight sensor, white, D4i/DALI-2 AWNS-OCC-BL-SR-TW - Lutron Athena wireless node, Occupancy & Daylight sensor, black, D4i/DALI-2																																			
12	Options/Accessories EMC-PF ² - emergency circuit requires power feed located in last fixture section (for other locations consult factory) PF ² - Extra power feed for additional circuiting EMB* - emergency battery pack (not available for lengths under 4')																																			

1 - Lengths less than 4' may have restrictions based upon wattage, lengths, drivers or other options.

2 - Not available with IND (individual) configuration.

* The "A" refers to the sequential revision in a year and "XX" refers to the year of update. Updates coincide with improved performance while not changing the overall fixture aesthetic and are reflected in the published performance data. Please contact your Amerlux representative for explanations of changes.

Linea[®] 1.5" Direct/Indirect

Linear Direct/Indirect LED



PROJECT:

TYPE:

Specifications

Application

Open office plan, conference rooms, corridors or any indoor retail space where an exciting combination of direct and indirect ambient lighting is desired.

Construction

One piece extruded aluminum housing. Die-cast End Plates match fixture body finish. Die-formed, cold-rolled steel internal components are protected against rust and corrosion.

Optical

Direct:

All lenses are snap-in, extruded acrylic, with a maximum length of 8'. Fixtures shipped with lenses installed. Amerlux's proprietary acrylic lens provides excellent transmission while effectively concealing source image. All louvers are retained with spring clips attached to louver side rails, for good fit and retention.

PL - Performance Lens provides high efficiency with greater lens surface brightness.

SLD - Straight blade Louver Direct has 1/2" high blades 1/2" on center with overlay. Available in white aluminum (light gray, appears white when lit), black or silver

ASY - Asymmetric 20° throw lens is backed high diffusion film that eliminates striations.

DRP1 - 1" Drop lens with illuminated end caps

Indirect:

Extruded acrylic lens with a maximum length of 8'.

BAT - Batwing uplight lens spreads light directly above fixture. 18" minimum distance between ceiling plane and top of fixture suggested.

UC - Upper Clear lens cover.

LED

Amerlux's boards and patented connector design with brand name LEDs enables Amerlux fixtures to have excellent thermal management and offer a 5 year warranty. Our LED binning is within 3 MacAdam ellipse. Boards are configured for maximum flexibility resulting in even illumination no matter the fixture layout. LED boards are easily replaced in the field with just a Phillips screw driver.

	Static White	Tunable White
CCT:	2700K, 3000K, 3500K, 4000K	2700K-5700K
CRI:	83 or 90+ typical	90+ (92 typ)
R9:	16 @ CRI 83; >50 @ CRI 90+	>50

Life: 50,000+ hr., > 70% of initial lumens (L70)

Electrical

Wiring: Individual and "Beginning of Run" (BOR) fixtures are prewired with power cord. All configurations have quick connect power harnesses for row connections.

1 - 1 Circuit, direct & indirect same circuit

2 - 2 Circuits, direct & indirect switch separately (power feed at both ends)

Standard Wattage: 5W/ft, 10W/ft.

Optional Wattages: 3W/ft, 4W/ft, 6W/ft, 7W/ft, 8W/ft, 9W/ft. (3W & 4W have a minimum length of 4'). For other wattages consult factory Emergency circuit via remote inverter or auxiliary emergency power supply (by thers).

This product complies with IEEE C62.41 for surge endurance up to 2.5KV.

Amerlux[®] recommends using additional surge protection with this unit (supplied by others), surge damage is not covered under warranty.

EMC-PF - Emergency circuit requires power feed to be located in last fixture section for continuous runs. For other locations consult factory. Not available for individual (IND) configuration.

PF - Extra power feed for additional circuiting. Not available for individual (IND) configuration.

Finish

All painted surfaces are premium powder coated baked on for maximum durability and color stability.

HW - High reflective matte White

BT - Black Texture

ST - Silver Texture

For special paint colors supply RAL and/or actual paint chip for factory consultation.

Configurations/Lengths

IND - Individuals are stand alone fixtures made of single lengths of 2' to 8' (in 1' increments). They are supplied with matching painted End Caps and the required mounting hardware. Lengths less than 4' may have restrictions based upon wattage, lengths, drivers or other options.

CON - Continuous runs are longer than 8', specified to the nearest whole foot. Continuous runs less than 16' are made of 2 lengths. Continuous runs longer than 16' start with a 8' Beginning of Row (BoR) wired with a power feed and fitted with an End Cap. The majority of the runs are made up of 8' Middle of Run (MoR) lengths. End of Run (EoR) units are made up of 2' to 8' units to the nearest whole foot or a combination of a last 4' MoR and a 5', 6' or 7' EoR. Runs longer than 60' may require a second power feed. Factory installed pins and splines simplify fixture alignment. Lengths are quickly joined with "catch and latch" mechanisms or screws and sturdy brackets. Quick connectors simplify field wiring.

CUS - Custom made to measure runs are made to nearest 1/8" of customer supplied field measurements. They can be a single custom length or runs configured as described above only EoR's are 2' to 8' cut to the nearest 1/8" exact length or a combination of a last 4' MoR with an EoR cut to exact length to the nearest 1/8".

PXX - Standard patterns consist of 90° corners with standard lengths (3' to 8' in 1' increments) or custom lengths. Depending upon complexity of the pattern, drawings may be required. When ordering please give overall lengths.

A'-B'-PLL - L Left - (1) 90° Corner 2 segments. Specify overall segments: A' & B'
A'-B'-PLR - L Right - (1) 90° Corner 2 segments. Specify overall segments: A' & B'

A'-B'-PR - Rectangle - (4) 90° Corners joining 4 segments. Specify overall segments: A' & B'

A'-B'-C'-PU - U shape - (2) 90° Corners joining 3 segments. Specify overall segments: A', B', & C'

A'-B'-C'-PZ - Z shape - (2) 90° Corners joining 3 segments. Specify overall segments: A', B', & C'

See page 6 for layouts.

PC - Custom patterns use standard or custom lengths, 90° or other corner angles with some limitations. Please provide drawings and consult factory.

Mounting

The Linea 1.5 Direct/Indirect is intended to be pendant or wall mounted in continuous rows. For indirect lighting Amerlux suggests 18" min from top of fixture to ceiling. Standard or custom patterns available.

LIN1.5DI-A16...ASW10 - Direct/Indirect installed in center of ceiling tile or gypsum board ceiling, (standard) i.e. ASW10. Or if canopy is installed on a grid Tee runner add, **T** i.e. ASWIOT.

Cable Suspension: Cable is stranded stainless steel wire supplied with cable gripper and 5"x.250" steel die formed canopy. All components are protected against rust and corrosion. Power feeds are 16 gauge 3 or 5 conductor SJT cord supplies in same color as canopy. Amerlux supplies the required feed and non-feed suspension kits based upon length, electrical options and customer requirements. Suspension kit options include: color, length and mounting condition.

Please note: 1 Circuit is standard, the direct & indirect are on the same circuit. 2 Circuits, direct & indirect switched separately with power feeds at both ends.

LIN1.5DI-A16...W M - Wall Mounted using steel cleat bracket attached to fixture housing and wall bracket with set screws. Two bracket assemblies are used for each length under 8'. A third center bracket may be recommended. J box required at feed locations.

Options

EMB - Emergency battery pack - 10W output power, 90 min of illumination time, up to 1300 lm of initial light output. Illuminated test-switch/charging indicator light is provided. Wattage consumption by EM: 2.5W/ft (4ft fixture), 1.66W/ft (6ft fixture), 1.25W/ft (8ft fixture). Request can be made to light up 4ft section on 8ft unit. For direct/indirect fixtures, only the direct component will light up.

Certifications

Approved to UL standards for damp locations as tested by CSA
Intended for indoor use only

Warranty

Amerlux's 5 year limited warranty. Please consult Amerlux website for details.

Linea[®] 1.5" Direct/Indirect

Linear Direct/Indirect LED

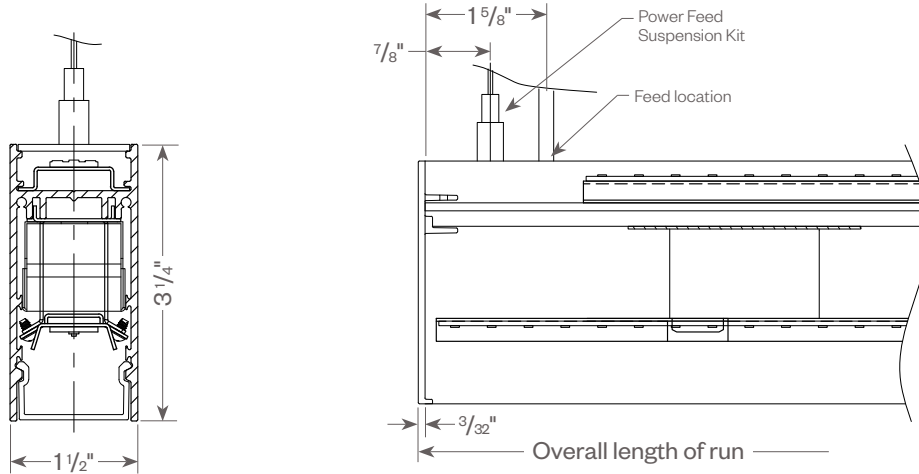


Linea 1.5" Direct/Indirect

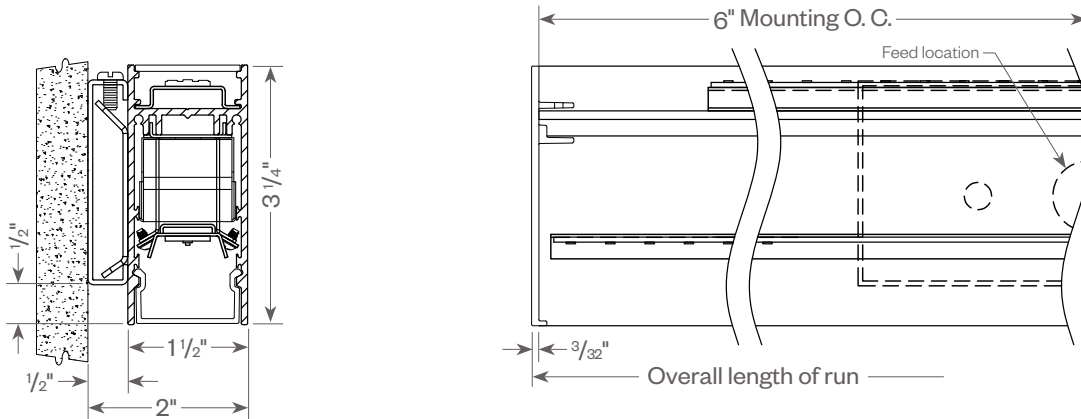
PROJECT:

TYPE:

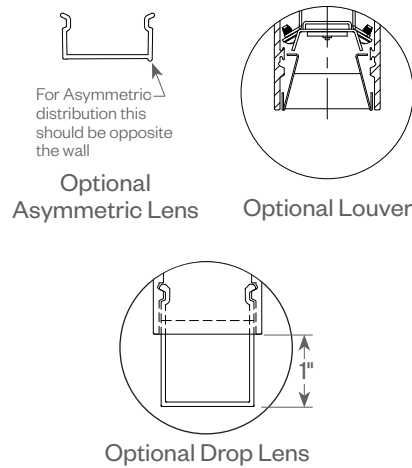
LINEA 1.5" DIRECT/INDIRECT



LINEA 1.5" DIRECT/INDIRECT WALL MOUNT



OPTIONAL LOUVER/DROP LENS

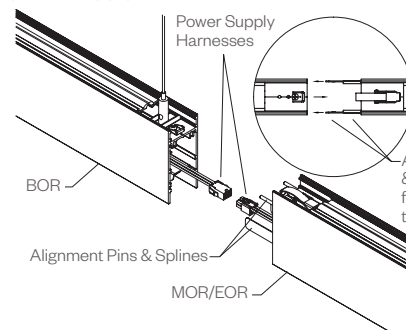


TOOLLESS JOINING

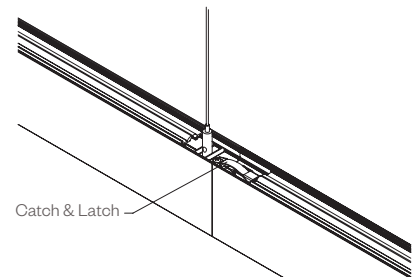
Line up the two housings by using the alignment pins & splines. Secure them together by using the Catch & Latch System on the top on the extrusion.

Connect Power

Connect power to previous tray via power supply harness.



Secure Fixtures/Joint



Linea[®] 1.5" Direct/Indirect

Linear Direct/Indirect LED



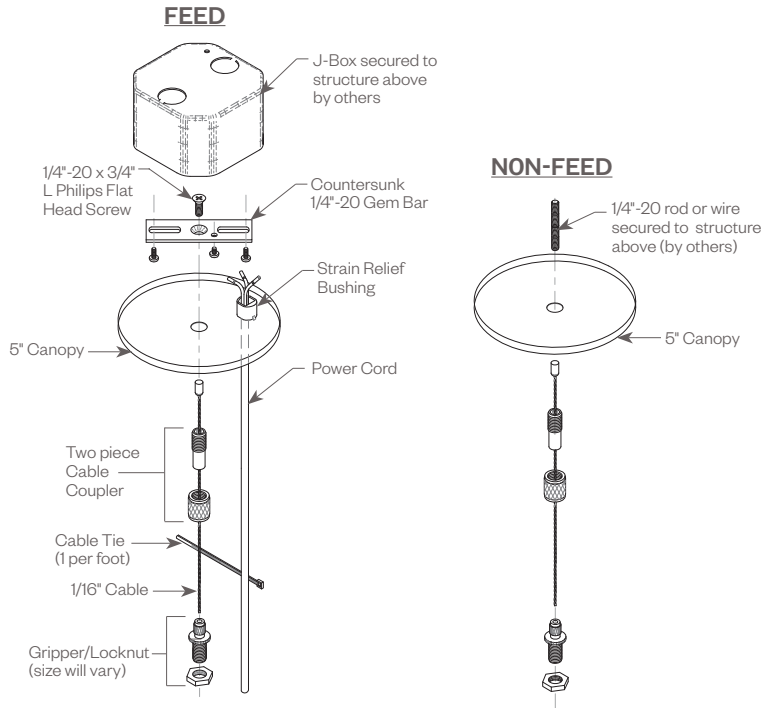
Linea 1.5" Direct/Indirect

PROJECT:

TYPE:

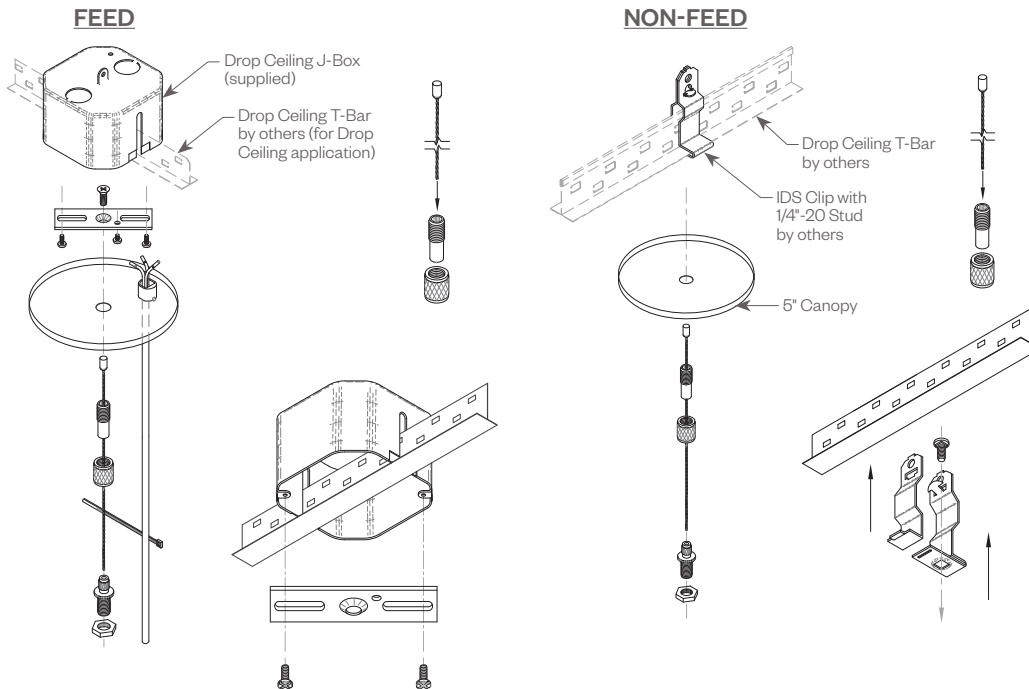
CABLE KIT SUSPENSION OPTIONS:

CEILING OR GYPSUM BOARD (ASW10, ASW20, ASB10, ASB20)



Cat#	Length	Cord/Canopy	Application
ASW10	10'	white/white	ceiling tile/gypsum
ASW20	20'	white/white	ceiling tile/gypsum
ASB10	10'	black/black	ceiling tile/gypsum
ASB20	20'	black/black	ceiling tile/gypsum
ASW10T	10'	white/white	ceiling tee
ASW20T	20'	white/white	ceiling tee
ASB10T	10'	black/black	ceiling tee
ASB20T	20'	black/black	ceiling tee

TEE GRID OR SCREW SLOT (ASW10T, ASW20T, ASB10T, ASB20T)



Linea[®] 1.5" Direct/Indirect

Linear Direct/Indirect LED



PROJECT:

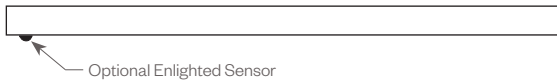
TYPE:

OPTIONAL SENSOR/RF NODE:

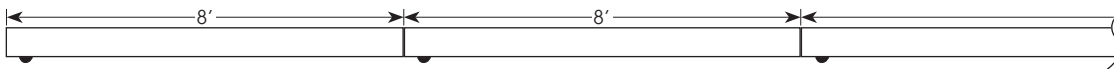
Amerlux[®] has partnered with control companies to create building environments that are safer, and smarter, than ever before. At the heart of our partnership is intelligent RF nodes and Smart Sensor, the most advanced digital wireless communication and sensors available today. Integrated into Amerlux products.

Minimum run length is 3' for wireless sensor and RF node.

INDIVIDUAL (MIN 3' LENGTH)



RUNS



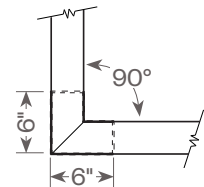
LINEA 1.5" PATTERNS:

Standard Patterns

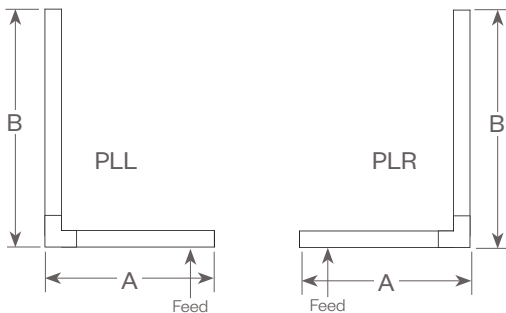
All corners are standard 90°, standard length legs.
 Use standard lengths: 4' min to 8' in 1 foot increments.
 Continuous runs must be the same length in pairs for closed configuration.

Custom Patterns

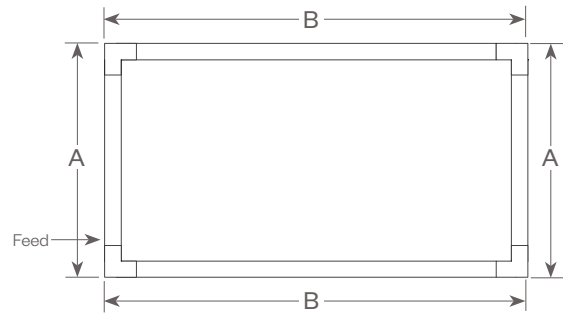
Please provide drawings of your configuration.
 Made to Measure: +/- 1/8", consult factory.
 PC - custom pattern, please provide drawings and consult factory



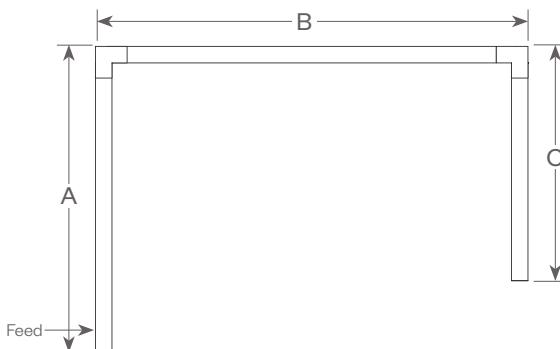
Linea 1.5 Lens
Mitered Lens



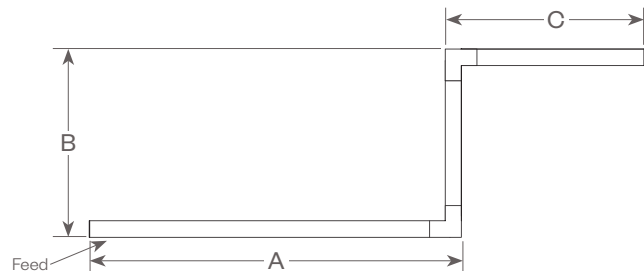
PLL - L Left, (2) straights + (1) 90° corner, leg right
PLR - L Right, (2) straights + (1) 90° corner, leg left
 Provide overall lengths: A' & B'
 Nomenclature: A-B-PLL A-B-PLR



PR - Closed Rectangle, (4) straight lengths + (4) 90° corners
 Provide overall lengths: A' & B'
 Nomenclature: A-B-PR



PU - Open U, (3) straight lengths + (2) 90° corners
 Provide overall lengths: A', B' & C'
 Nomenclature: A-B-C-PU



PZ - Open Z, (3) straight lengths + (2) 90° corners
 Provide overall lengths: A', B' & C'
 Nomenclature: A-B-C-PZ

Linea[®] 1.5" Direct/Indirect

Linear Direct/Indirect LED



Linea 1.5" Direct/Indirect

PROJECT:

TYPE:

FIXTURE DATA:

MULTIPLYING FACTORS: (Multiplying Factor is based on 3500K-83 120V IES file on website)

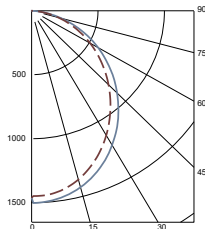
Wattage:	3W	4W	5W	6W	7W	8W	9W	10W
Factor:	0.31	0.42	0.53	0.63	0.72	0.81	0.90	1.0

CCT Factors:					TW9
CRI	2700K	3000K	3500K	4000K	(@3500K)
83	0.92	0.97	1.0	1.02	-
90	0.81	0.84	0.86	0.89	0.86

Louver		
Finish:	SLV	BLK
Factor:	1.0	.65

LINEA 1.5" DIRECT PERFORMANCE LENS 10W 3500K 4FT

Total Watts: 37
Total Lumens: 3691
Source: 96 White LED's



LTL# 14664757.01

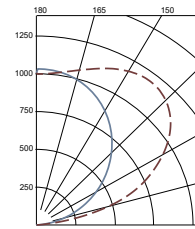
ZONAL LUMEN SUMMARY

Zone	Lumens	%Fixt
0-40	1759	47.7
0-60	2984	80.8
0-90	3691	100.00
90-180	0	0.00

Efficacy = 101.1 Lumens/Watt

LINEA 1.5" INDIRECT BATWING LENS 10W 3500K 4FT

Total Watts: 34
Total Lumens: 3948
Source: 88 White LED's



LTL# 14664757.06

ZONAL LUMEN SUMMARY

Zone	Lumens	%Fixt
0-40	0	0.0
0-60	0	0.0
0-90	0	0.0
90-180	3948	100.0

Efficacy = 116.9 Lumens /Watt

COEFFICIENTS OF UTILIZATION

Effective Floor Cavity Reflectance 20%

RC	80			
RW	70	50	30	10
RCR				
0	119	119	119	119
1	109	105	100	97
2	100	92	85	79
3	91	81	73	66
4	83	72	63	57
5	77	64	55	49
6	71	58	49	43
7	66	53	44	38
8	62	48	40	34
9	58	44	36	31
10	54	41	33	28

Note: Values are expressed as percent of total lumen output delivered to the task surface.

COEFFICIENTS OF UTILIZATION

Effective Floor Cavity Reflectance 20%

RC	80			
RW	70	50	30	10
RCR				
0	95	95	95	95
1	87	83	79	76
2	79	72	66	62
3	72	63	57	51
4	65	56	48	43
5	60	49	42	36
6	55	44	36	31
7	50	39	32	27
8	47	35	28	23
9	43	32	25	20
10	40	29	22	18

Note: Values are expressed as percent of total lumen output delivered to the task surface.

Linea[®] 1.5" Direct/Indirect

Linear Direct/Indirect LED



Linea 1.5" Direct/Indirect

PROJECT:

TYPE:

FIXTURE DATA:

MULTIPLYING FACTORS: (Multiplying Factor is based on 3500K-83 120V IES file on website)

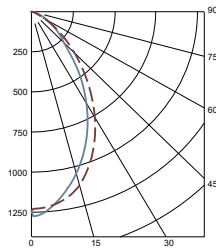
Wattage:	3W	4W	5W	6W	7W	8W	9W	10W
Factor:	0.31	0.42	0.53	0.63	0.72	0.81	0.90	1.0

CCT Factors:					TW9
CRI	2700K	3000K	3500K	4000K	(@3500K)
83	0.92	0.97	1.0	1.02	-
90	0.81	0.84	0.86	0.89	0.86

Finish:	Louver	
	SLV	BLK
Factor:	1.0	.65

LINEA 1.5" STRAIGHT BLADE LOUVER (SLV) 10W 3500K 4FT

Total Watts: 37 Total Lumens: 1584
Source: 96 White LED's



LTL# 14664757.05

ZONAL LUMEN SUMMARY

Zone	Lumens	%Fixt
0-40	1129	71.3
0-60	1502	94.8
0-90	1584	100.00
90-180	0	0.00

Efficacy = 43.5 lumens/Watt

COEFFICIENTS OF UTILIZATION

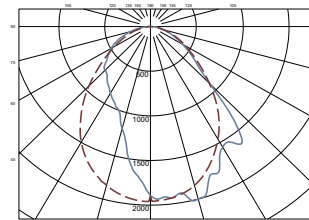
Effective Floor Cavity Reflectance 20%

RC	80			
RW	70	50	30	10
RCR				
0	119	119	119	119
1	112	109	106	103
2	105	99	94	89
3	98	90	84	79
4	91	82	75	70
5	86	75	68	63
6	80	70	62	57
7	75	64	57	52
8	71	60	53	48
9	67	56	49	44
10	63	52	45	41

Note: Values are expressed as percent of total lumen output delivered to the task surface.

LINEA 1.5" ASYMMETRIC LENS 10W 3500K 4FT

Total Watts: 37 Total Lumens: 4046
Source: 96 White LED's



LTL# 14664757.02

ZONAL LUMEN SUMMARY

Zone	Lumens	%Fixt
0-40	2048	50.6
0-60	3358	83.0
0-90	4046	100.00
90-180	0	0.00

Efficacy = 110.8 Lumens /Watt

COEFFICIENTS OF UTILIZATION

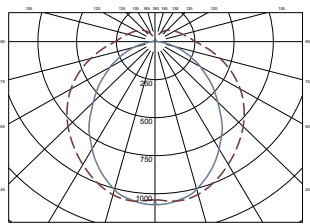
Effective Floor Cavity Reflectance 20%

RC	80			
RW	70	50	30	10
RCR				
0	119	119	119	119
1	110	105	101	97
2	100	92	86	81
3	92	82	74	68
4	85	73	65	58
5	78	66	57	51
6	72	60	51	45
7	67	54	46	40
8	63	50	41	36
9	59	46	38	32
10	55	42	35	30

Note: Values are expressed as percent of total lumen output delivered to the task surface.

LINEA 1.5" DROP LENS 10W 3500K 4FT

Total Watts: 37 Total Lumens: 4014
Source: 96 White LED's



LTL# 14664757.03

ZONAL LUMEN SUMMARY

Zone	Lumens	%Fixt
0-40	1339	33.4
0-60	2397	59.7
0-90	3427	85.4
90-180	588	14.6

Efficacy = 109.9 Lumens /Watt

COEFFICIENTS OF UTILIZATION

Effective Floor Cavity Reflectance 20%

RC	80			
RW	70	50	30	10
RCR				
0	116	116	116	116
1	103	98	93	88
2	93	84	77	70
3	85	73	65	58
4	77	65	55	48
5	71	58	48	41
6	65	52	42	36
7	60	47	38	32
8	56	43	34	28
9	52	39	31	25
10	49	36	28	23

Note: Values are expressed as percent of total lumen output delivered to the task surface.

Linea[®] 1.5" Direct/Indirect

Linear Direct/Indirect LED



Linea 1.5" Direct/Indirect

PROJECT:

TYPE:

STATIC WHITE - DIMMING COMPATIBILITY:

Amerlux[®] Linea fixtures are compatible with all major dimming protocols prevalent in the United States. Please see below for general compatibilities and wiring diagrams. Amerlux recommends testing your unique dimming configuration as the exact full configuration (Dimmer, Fixture Quantity, Voltage, etc) may affect dimming performance.

--- NOTE: INFORMATION BELOW IS FOR WIRED DIMMERS ONLY. FOR WIRELESS DIMMERS, CONSULT FACTORY ---

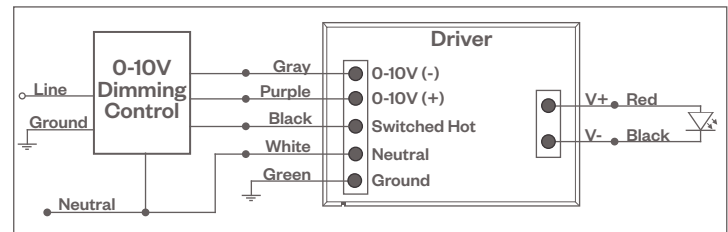
0-10V - DIMMING (Standard)

Integrates into a variety of building management and daylighting controls

Notes:

- 120V or 277V*
- Dims down to 1% light output
- Requires interface to turn off power to driver
- Consult Dimming manufacturer for installation instructions - DO NOT SHARE NEUTRALS!

0-10V Wiring Diagram



Compatible Dimmers*:

Wall Box

Lutron: Diva - DVSTV Maestro - MS-Z101 Nova-T - NTSTV-DV	Wattstopper: ADF-120277	Leviton: Renoir II
--	-----------------------------------	------------------------------

Center System

Lutron Grafikx Eye with GRX-TV1 Interface

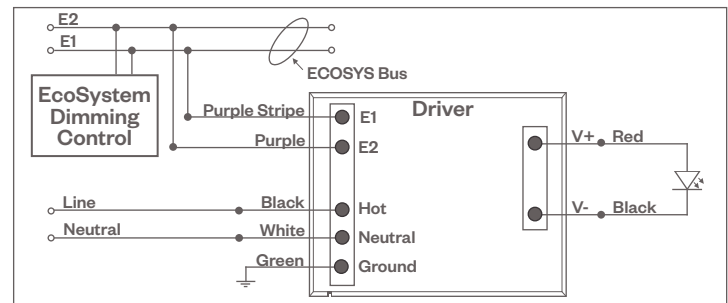
LUTRON LDE1 DIMMING

Integrates into Lutron EcoSystem building management

Notes:

- 120VAC or 277VAC*
- Dims down to 1% Soft-On/Fade-to-Black
- EcoSystem Control
- Consult Dimming manufacturer for installation instructions - DO NOT SHARE NEUTRALS!

Lutron LDE1 (HILUME-H-ECO) EcoSystem Digital Control Wiring Diagram



Compatible Dimmers*:

Lutron ECO System

Pow Pak Dimming Modules Energi Savr Node Grafik Eye QS/Homeworks QS Control Unit Quantum Hub Homeworks QS/My Room
--

Central System

Lutron EcoSystem compatible controls

Notes:

* Driver is 277VAC dimmable with appropriate dimmer (by others). All provided wiring diagrams show 120VAC wiring colors and method. Please refer to 277VAC dimmer installation instructions for 277VAC wiring diagrams.

† The absence of a dimmer from the lists above does not imply incompatibility. Please consult factory for compatibility inquiries.

Linea[®] 1.5" Direct/Indirect

Linear Direct/Indirect LED



PROJECT:

TYPE:

STATIC WHITE - DIMMING COMPATIBILITY:

Amerlux[®] Linea fixtures are compatible with all major dimming protocols prevalent in the United States. Please see below for general compatibilities and wiring diagrams. Amerlux recommends testing your unique dimming configuration as the exact full configuration (Dimmer, Fixture Quantity, Voltage, etc) may affect dimming performance.

--- NOTE: INFORMATION BELOW IS FOR WIRED DIMMERS ONLY. FOR WIRELESS DIMMERS, CONSULT FACTORY ---

DALI - DALI DIMMING 120V-277V

Digital control protocol allows individual fixture control

Notes:

- 120VAC - 277VAC*
- Dims down to 1% light output in most cases

Compatible Dimmers†:

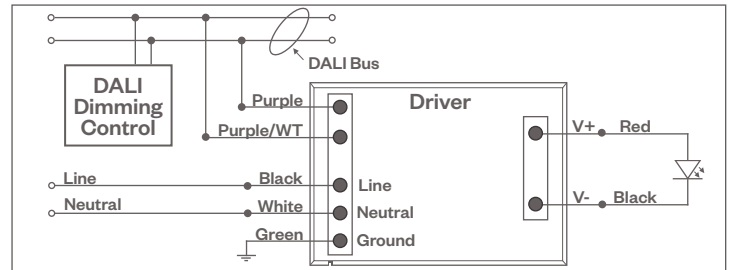
Wall Box

Leviton CD250 Controller

Center System

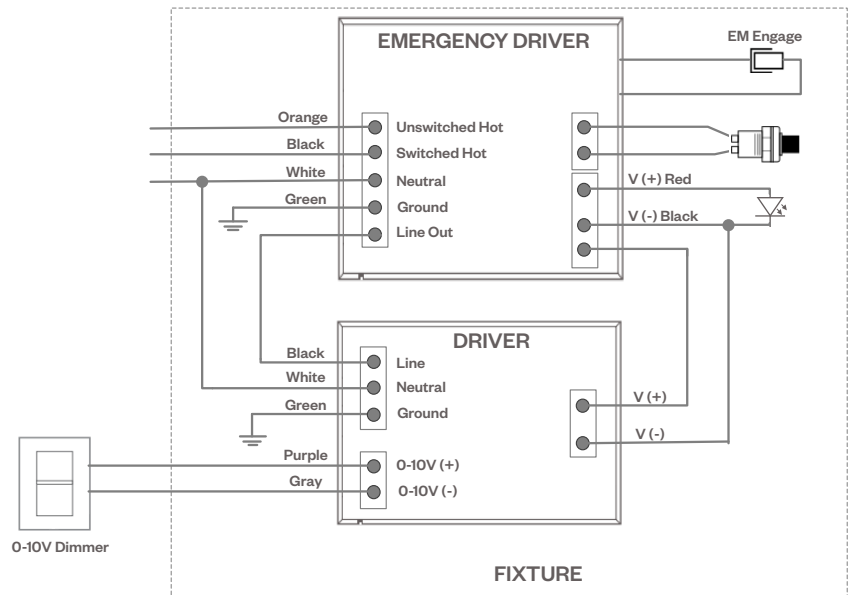
Dynalite
Fifth Light

DALI Wiring Diagram



EMERGENCY FIXTURE WITH BUILT-IN BATTERY PACK (EMB) WIRING:

Note: EMB not available on lengths under 4'.



Notes:

* Driver is 277VAC dimmable with appropriate dimmer (by others). All provided wiring diagrams show 120VAC wiring colors and method. Please refer to 277VAC dimmer installation instructions for 277VAC wiring diagrams.

† The absence of a dimmer from the lists above does not imply incompatibility. Please consult factory for compatibility inquiries.

Linea[®] 1.5" Direct/Indirect

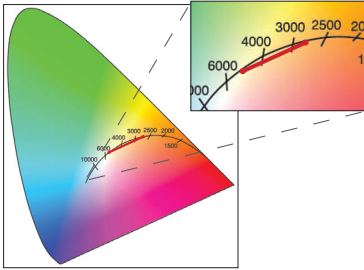
Linear Direct/Indirect LED



PROJECT:

TYPE:

TUNABLE WHITE



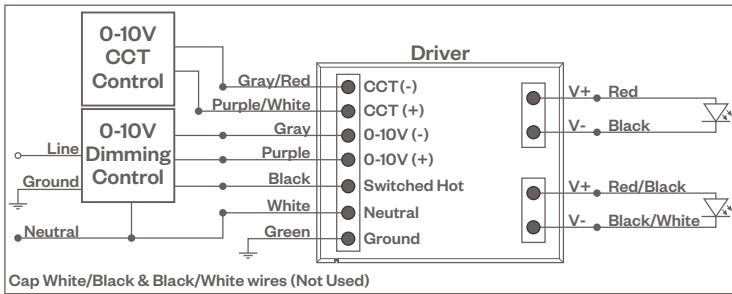
Tunable White range from 2700K-5700K, 90 CRI.
See wiring diagrams below.

TUNABLE WHITE - DIMMING COMPATIBILITY:

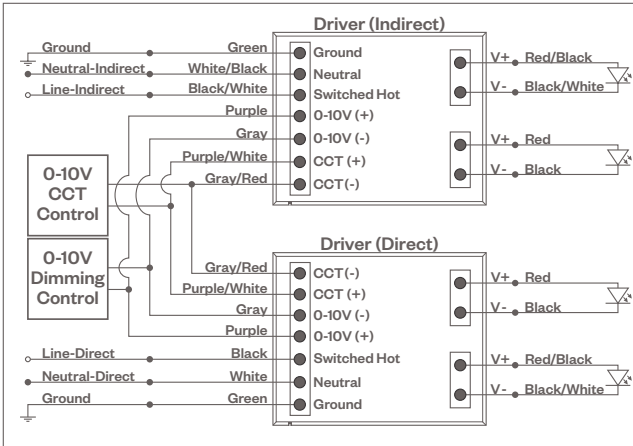
Amerlux[®] Linea fixtures are compatible with all major dimming protocols prevalent in the United States. Please see below for general compatibilities and wiring diagrams. Amerlux recommends testing your unique dimming configuration as the exact full configuration (Dimmer, Fixture Quantity, Voltage, etc) may affect dimming performance.

--- NOTE: INFORMATION BELOW IS FOR WIRED DIMMERS ONLY. FOR WIRELESS DIMMERS, CONSULT FACTORY ---

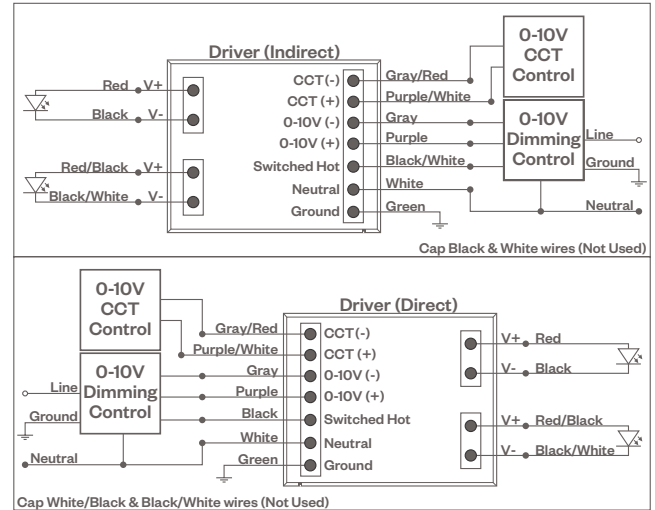
0-10V Wiring Diagram (Single Circuit)



0-10V Wiring Diagram (Dual Switch, Single Controls)



0-10V Wiring Diagram (Dual Circuit)



Notes:

* Driver is 277VAC dimmable with appropriate dimmer (by others). All provided wiring diagrams show 120VAC wiring colors and method. Please refer to 277VAC dimmer installation instructions for 277VAC wiring diagrams.

† The absence of a dimmer from the lists above does not imply incompatibility. Please consult factory for compatibility inquiries.

Linea[®] 1.5" Direct/Indirect

Linear Direct/Indirect LED



PROJECT:

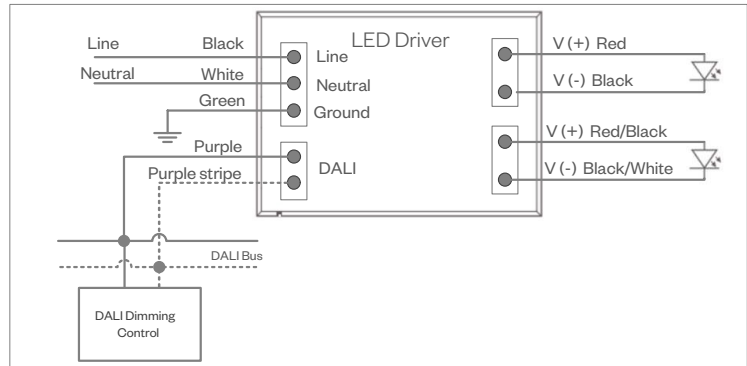
TYPE:

TUNABLE WHITE - DIMMING COMPATIBILITY:

Amerlux[®] Linea fixtures are compatible with all major dimming protocols prevalent in the United States. Please see below for general compatibilities and wiring diagrams. Amerlux recommends testing your unique dimming configuration as the exact full configuration (Dimmer, Fixture Quantity, Voltage, etc) may affect dimming performance.

--- NOTE: INFORMATION BELOW IS FOR WIRED DIMMERS ONLY. FOR WIRELESS DIMMERS, CONSULT FACTORY ---

DALI DT8 Wiring Diagram



Notes:

* Driver is 277VAC dimmable with appropriate dimmer (by others). All provided wiring diagrams show 120VAC wiring colors and method. Please refer to 277VAC dimmer installation instructions for 277VAC wiring diagrams.

† The absence of a dimmer from the lists above does not imply incompatibility. Please consult factory for compatibility inquiries.