

# Linea® 1.5"

Linear Direct with  
Adjustable Accents



## Features

Linea Accent drives your design scenario, seamlessly. Streamlined and adjustable, these architectural LED accents provide the freedom to create truly dynamic spaces. A synthesis of aesthetics, performance and energy efficiency, the Linea Accent family delivers on its promises. Our new Linea Accent 1.5" pendant proves when it comes to lighting, less really is more.

## Product Overview

Type:	Cable Suspended or Surface Direct
Wattage (Linear):	5W/ft, 10W/ft (other wattages available see p2)
Wattage (Accent):	7W (per accent head)
Color Temp:	2700K, 3000K, 3500K, 4000K
CRI:	83 typ. or 90+ typ 90 typ. (2700K, 3000K)
Dimming:	0-10V, 1% dim (standard) DALI dimming, 1% dim



## PROJECT:

## TYPE:



## Fixture Summary (see following pages for more information)

### Performance Chart - Linear Ambient

Wattage Per Foot	Delivered Lumens	LPW	Color Temp
5	1920	105.2	3500K-83
10	3691	101.1	3500K-83

Data is based on 4' fixture with Performance Lens 3500K-83. IES files available on website

### Performance Chart-Accent

Watts	Delivered Lumens	LPW	CBCP	Color Temp
7	451	63.3	4861	3000K-83

Data is per head and is based on Spot optic

### Electrical Data-Linear

Wattage Per Foot		4'		8'	
		System Watts	Amps	System Watts	Amps
5	120V	18.2	0.15	36.5	0.30
	277V	18.2	0.07	36.5	0.13
10	120V	36.5	0.30	73.0	0.61
	277V	36.5	0.13	73.0	0.26

Electronic multi-volt (120-277VAC), constant current LED driver

### Electrical Data-Accent

	7W/Accent	
	System Watts	Amps
120V	7	0.06
277V	7	0.03



# Linea® 1.5" Direct with Accents

Linear Direct with Adjustable Accents, LED



## PROJECT:

## TYPE:

### Ordering Information



**1** Model  
**LA1.5-D** - linear with 12" accent plate on both ends

**2** Optics  
**PL** - performance lens  
**SLDW** - straight blade louver, white aluminum, solid blades w/overlay  
**SLDB** - straight blade louver, black, solid blades w/overlay  
**SLDS** - straight blade louver, silver, solid blades w/overlay  
**ASY** - asymmetric lens

**3** Mounting  
**ASW10** - through ceiling tile or gyp board, white, 10'  
**ASW20** - through ceiling tile or gyp board, white, 20'  
**ASB10** - through ceiling tile or gyp board, black, 10'  
**ASB20** - through ceiling tile or gyp board, black, 20'  
**ASW10T** - over ceiling tee, white, 10'  
**ASW20T** - over ceiling tee, white, 20'  
**ASB10T** - over ceiling tee, black, 10'  
**ASB20T** - over ceiling tee, black, 20'  
**SM** - surface mount

**4** Circuiting  
**1** - single circuit for direct & accent  
**2** - 2 circuits for separate control of direct & accent, single feed

**5** Wattage-Linear (per foot)  
Standard:  
**5** - 5W/ft  
**10** - 10W/ft  
Optional:  
**3** - 3W/ft (minimum 6' length)  
**4** - 4W/ft  
**6** - 6W/ft  
**7** - 7W/ft  
**8** - 8W/ft  
**9** - 9W/ft

**Note: Accent - 7W/Accent**

**6** Color Temp (for Linear & Accent)  
**83 CRI:** **90+ CRI:**  
**27** - 2700K-83 **279** - 2700K-90+  
**30** - 3000K-83 **309** - 3000K-90+  
**35** - 3500K-83 **359** - 3500K-90+  
**40** - 4000K-83 **409** - 4000K-90+

**7** Finish  
**HW** - high reflectance matte white  
**BT** - black texture  
**ST** - silver texture  
*For other RAL color, consult factory*

**8** Voltage  
**120/277**

**9** Length (of entire fixture, see page 5)  
**4** - 4' Ind. (2' linear in center, 12" plate w/accents on both ends)  
**5** - 5' Ind. (3' linear in center, 12" plate with accents on both ends)  
**6** - 6' Ind. (4' linear in center, 12" plate with accents on both ends)  
**7** - 7' Ind. (5' linear in center, 12" plate with accents on both ends)  
**8** - 8' Ind. (6' linear in center, 12" plate with accents on both ends)

**10** Accent Heads  
**(12" plate on both ends of fixture, plates can have either 1 accent head or 2 accent heads. CCT, CRI & Finish to match linear unit)**  
**BS1** - 12" plate with 1 surface mount accent in center, 14W/fixture  
**BS2** - 12" plate with 2 surface mount accents at 4 1/2" center to center, 28W/fixture

**11** Beam Spreads-Accents  
**SP** - spot, 13°  
**NF** - narrow flood, 18°  
**FL** - flood, 28°

**12** Drivers  
**O-10V** - 1% electronic dimming, multi-volt (120-277VAC) constant current driver (standard).  
**DALI** - DALI Dimming 120-277VAC, 1% dim

**13** Options/Accessories-Accents  
**AH** - accessory holder  
**HEX** - hexcell louver (requires AH)

**Note: For custom patterns submit EDR on amerlux.com**

# Linea® 1.5" Direct with Accents

Linear Direct with Adjustable Accents, LED



## PROJECT:

## TYPE:

### Specifications

#### Application

Open office plan, conference rooms, corridors or any indoor space where the higher light levels of a direct ambient lighting system are required.

#### Construction

One piece extruded aluminum housing. Die-cast End Plates match fixture body finish. Die-formed, cold-rolled steel internal components are protected against rust and corrosion.

#### Optical

##### Linear:

All lenses are snap-in, extruded acrylic, with a maximum length of 8'. Fixtures shipped with lenses installed. Amerlux's proprietary acrylic lens provides excellent transmission while effectively concealing source image. All louvers are retained with spring clips attached to louver side rails, for good fit and retention.

**PL** - Performance Lens provides high efficiency with greater lens surface brightness.

**SLD** - Straight blade Louver Direct has 0.5" high blades 0.493" on center with overlay. Available in white aluminum (light gray, appears white when lit), black or silver

**ASY** - Asymmetric 20° throw lens is backed high diffusion film that eliminates striations.

##### Accent:

Tilt: 0-90°

Rotation: 360°+

Beam Spreads: Spot, 13°; Narrow Flood, 18°; Flood, 28°

#### LED

Amerlux's boards and patented connector design with brand name LEDs enables Amerlux fixtures to have excellent thermal management and offer a 5 year warranty. Our LED binning is within 3 MacAdam ellipse. Boards are configured for maximum flexibility resulting in even illumination no matter the fixture layout. LED boards are easily replaced in the field with just a Phillips screw driver.

**Color Temperature Options:** 2700K, 3000K, 3500K, 4000K

**CRI:** 83 typical, 90+ typical

**R9 (linear):** 16 @ CRI 83, >50 @ CRI 90+

**R9 (accent):** 7 @ CRI 83, 77 @ CRI 90+

**Life:** 50,000+ hr., > 70% of initial lumens (L70)

#### Electrical

**Wiring:** Individual fixtures are prewired with power cord.

1 - single circuit for down/up & accent

2 - 2 circuits down/up & accent, single feed

##### Linear Ambient:

**Standard Wattage:** 5W/ft, 10W/ft.

**Optional Wattages:** 3W/ft, 4W/ft, 6W/ft, 7W/ft, 8W/ft, 9W/ft.

For other wattages consult factory.

##### Accent:

**Wattage:** 7W per accent head (14W/fixture that are utilizing plates with 1 accent head or 28W/fixture that are utilizing plates with 2 accent heads)

Electronic constant current LED driver, 120V/277V AC input

**This product complies with IEEE C62.41 for surge endurance up to 2.5KV. Amerlux® recommends using additional surge protection with this unit (supplied by others), surge and over voltage damage is not covered under warranty.**

#### Drivers

**0-10V** - 1% electronic dimming, multi-volt (120-277VAC) constant current driver (standard). Cap leads for non-dim applications.

**DALI** - DALI Dimming 120-277VAC, 1% dim

#### Finish

All painted surfaces are premium powder coated baked on for maximum durability and color stability.

**HW** - High reflective matte White

**BT** - Black Texture

**ST** - Silver Texture

For special paint colors supply RAL and/or actual paint chip for factory consultation.

#### Configurations/Lengths

**IND** - Individuals are stand alone fixtures made of single lengths of 4' to 8' (in 1' increments). They are supplied with matching painted End Caps and the required mounting hardware.

#### Mounting

**Cable Suspension:** Cable is stranded stainless steel wire. All fittings are protected against rust and corrosion. Canopies are 5" x 1/4" die formed painted steel. Adjustment mechanism allows for infinite height adjustment. Amerlux recommends the required feed and non-feed suspensions based upon length and electrical options. Options include: color of canopy and power cord (black or white), length 10' or 20', and mounting condition, in center of ceiling tile and in gypsum board ceiling (standard) i.e. ASW10. Or if canopy is installed on a grid Tee runner add, **T** i.e. ASW10T

**Surface Mount:** Direct Surface Mounted - Housing needs to be attached to solid structure above. Mounting holes are pre-drilled at factory. Some fixture disassembly and reassembly required. Mounting hardware by others.

#### Certifications

Approved to UL standards for damp locations as tested by CSA  
Intended for indoor use only

#### Warranty

Amerlux's 5 year limited warranty. Please consult Amerlux website for details.

# Linea<sup>®</sup> 1.5" Direct with Accents

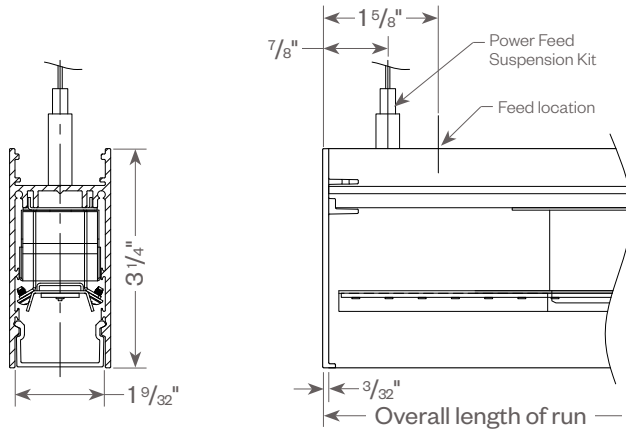
Linear Direct with Adjustable Accents, LED



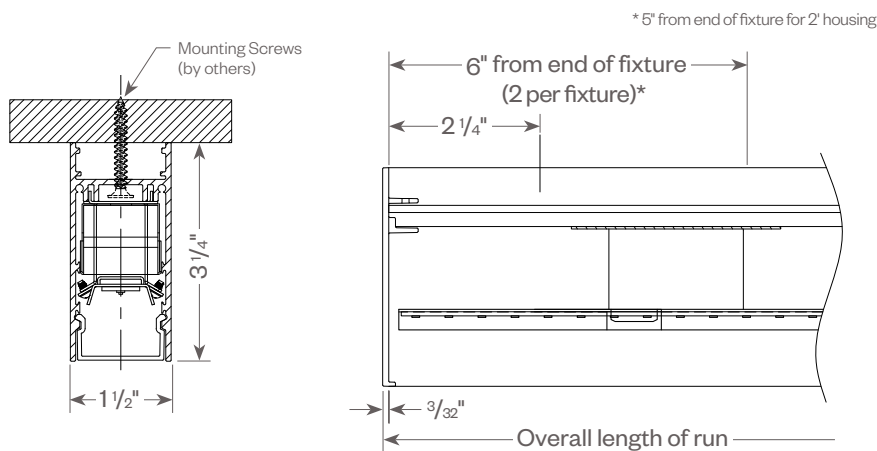
PROJECT:

TYPE:

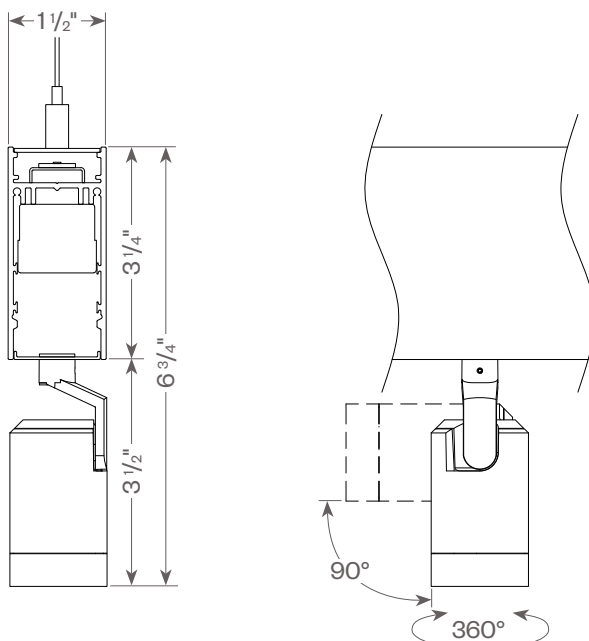
## LINEA 1.5" DIRECT



## LINEA 1.5" DIRECT SURFACE MOUNT



## ACCENT DETAIL



# Linea<sup>®</sup> 1.5" Direct with Accents

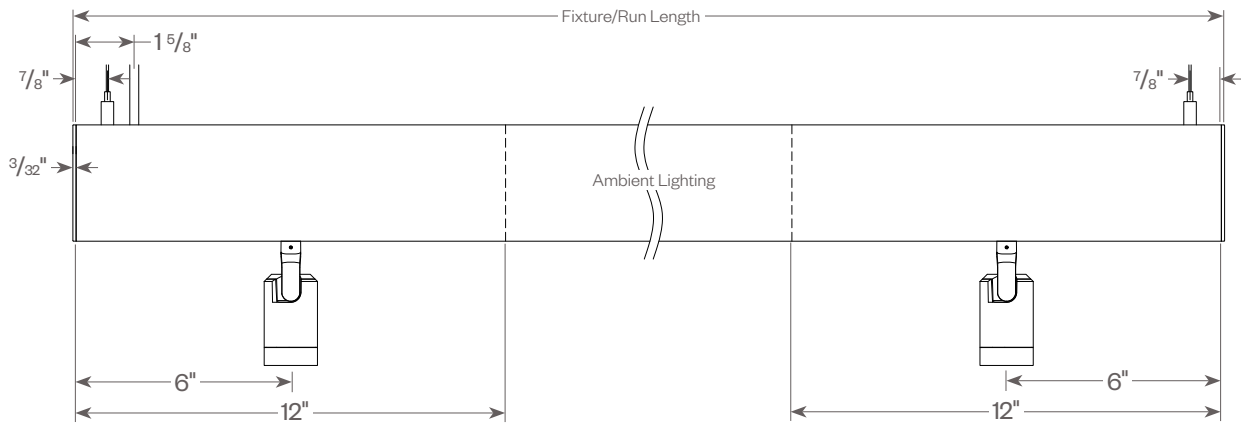
Linear Direct with Adjustable Accents, LED



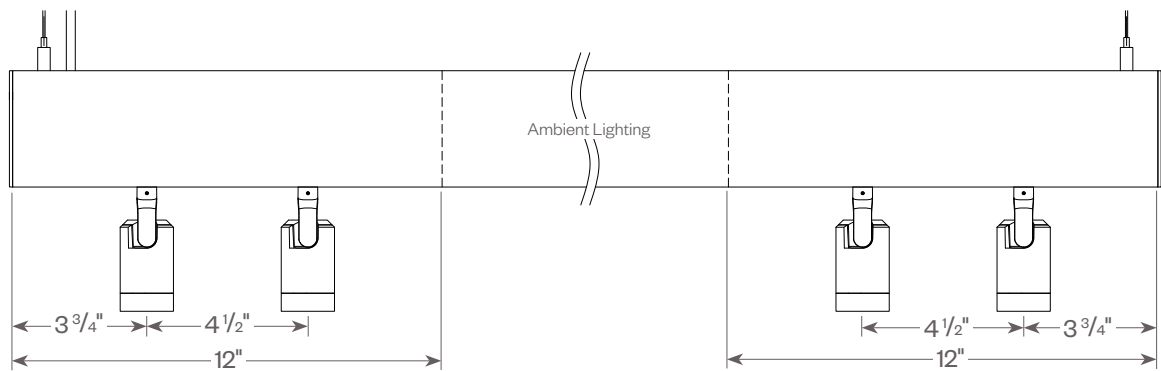
PROJECT:

TYPE:

## 1 ACCENT ON EACH PLATE



## 2 ACCENTS ON EACH PLATE

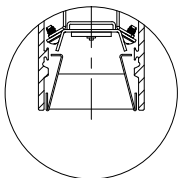


## OPTIONAL LENS/LOUVER



For Asymmetric distribution this should be opposite the wall

Optional Asymmetric Lens



Optional Louver

# Linea® 1.5" Direct with Accents

Linear Direct with Adjustable Accents, LED

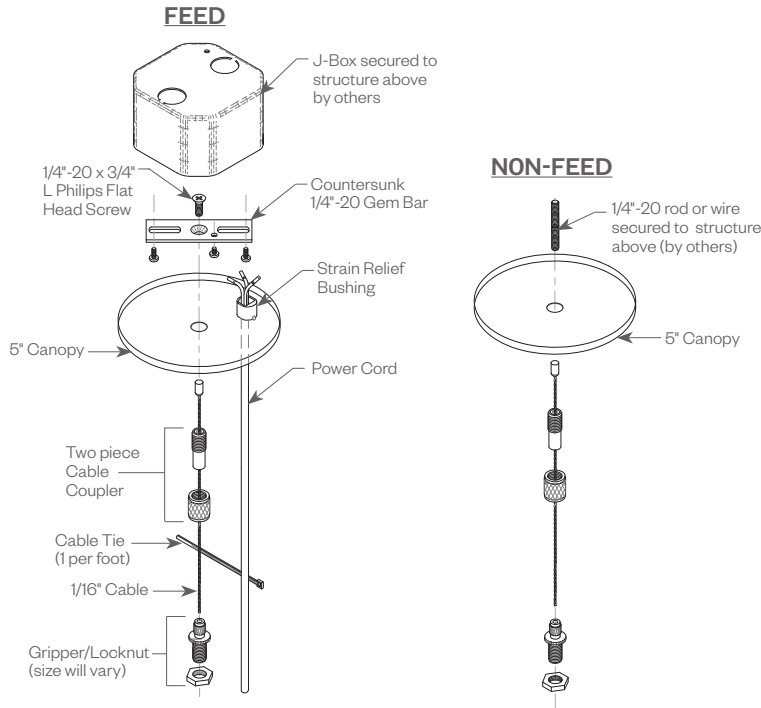


**PROJECT:**

**TYPE:**

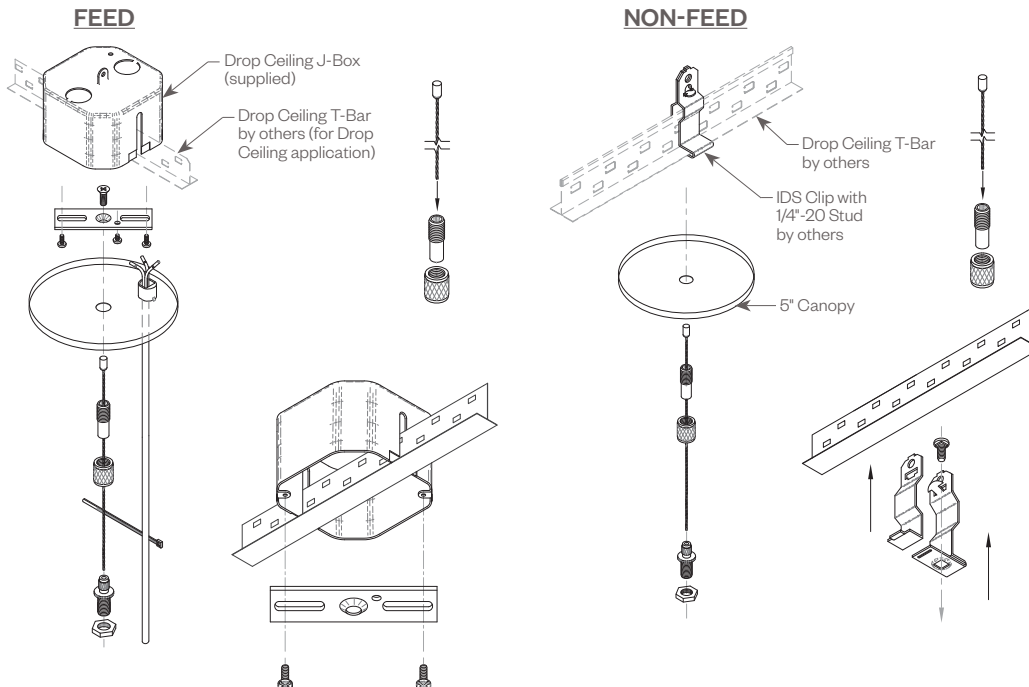
## CABLE KIT SUSPENSION OPTIONS:

### CEILING OR GYPSUM BOARD (ASW10, ASW20, ASB10, ASB20)



Cat#	Length	Cord/Canopy	Application
ASW10	10'	white/white	ceiling tile/gypsum
ASW20	20'	white/white	ceiling tile/gypsum
ASB10	10'	black/black	ceiling tile/gypsum
ASB20	20'	black/black	ceiling tile/gypsum
ASW10T	10'	white/white	ceiling tee
ASW20T	20'	white/white	ceiling tee
ASB10T	10'	black/black	ceiling tee
ASB20T	20'	black/black	ceiling tee

### TEE GRID OR SCREW SLOT (ASW10T, ASW20T, ASB10T, ASB20T)



# Linea<sup>®</sup> 1.5" Direct with Accents

Linear Direct with Adjustable Accents, LED



## PROJECT:

## TYPE:

**FIXTURE DATA:** (Complete photometric data (.ies format) available upon request)

**MULTIPLYING FACTORS:** (Multiplying Factor is based on 3500K-83 120V IES file on website)

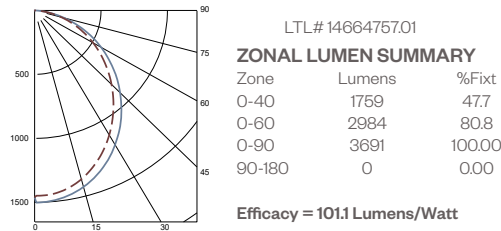
Wattage:	3W	4W	5W	6W	7W	8W	9W	10W
Factor:	0.31	0.42	0.53	0.63	0.72	0.81	0.90	1.0

CCT Factors:				
CRI	2700K	3000K	3500K	4000K
83	0.92	0.97	1.0	1.02
90	0.81	0.84	0.86	0.89

Louver		
Finish:	SLV	BLK
Factor:	1.0	.65

### LINEA 1.5" PERFORMANCE LENS 10W 3500K 4FT

Total Watts: 37 Total Lumens: 3691  
Source: 96 White LED's



#### COEFFICIENTS OF UTILIZATION

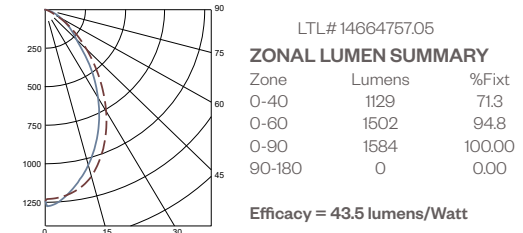
Effective Floor Cavity Reflectance 20%

RC	80			
RW	70	50	30	10
RCR				
0	119	119	119	119
1	109	105	100	97
2	100	92	85	79
3	91	81	73	66
4	83	72	63	57
5	77	64	55	49
6	71	58	49	43
7	66	53	44	38
8	62	48	40	34
9	58	44	36	31
10	54	41	33	28

Note: Values are expressed as percent of total lumen output delivered to the task surface.

### LINEA 1.5" STRAIGHT BLADE LOUVER (SLV) 10W 3500K 4FT

Total Watts: 37 Total Lumens: 1584  
Source: 96 White LED's



#### COEFFICIENTS OF UTILIZATION

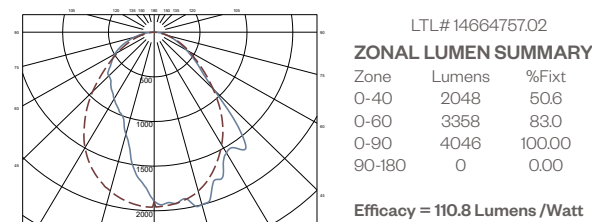
Effective Floor Cavity Reflectance 20%

RC	80			
RW	70	50	30	10
RCR				
0	119	119	119	119
1	112	109	106	103
2	105	99	94	89
3	98	90	84	79
4	91	82	75	70
5	86	75	68	63
6	80	70	62	57
7	75	64	57	52
8	71	60	53	48
9	67	56	49	44
10	63	52	45	41

Note: Values are expressed as percent of total lumen output delivered to the task surface.

### LINEA 1.5" ASYMMETRIC LENS 10W 3500K 4FT

Total Watts: 37 Total Lumens: 4046  
Source: 96 White LED's



#### COEFFICIENTS OF UTILIZATION

Effective Floor Cavity Reflectance 20%

RC	80			
RW	70	50	30	10
RCR				
0	119	119	119	119
1	110	105	101	97
2	100	92	86	81
3	92	82	74	68
4	85	73	65	58
5	78	66	57	51
6	72	60	51	45
7	67	54	46	40
8	63	50	41	36
9	59	46	38	32
10	55	42	35	30

Note: Values are expressed as percent of total lumen output delivered to the task surface.

# Linea<sup>®</sup> 1.5" Direct with Accents

Linear Direct with Adjustable Accents, LED



## PROJECT:

## TYPE:

**ACCENT FIXTURE DATA:** (Complete photometric data (.ies format) available upon request)

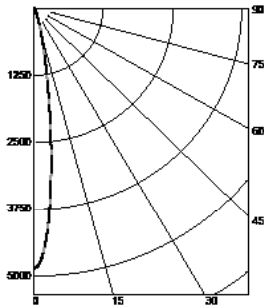
**MULTIPLYING FACTORS:** (Multiplying Factor is based on 3000K-83 120V IES file on website)

CCT:	2700K-83	3000K-83	3500K-83	4000K-83	2700K-90+	3000K-90+	CRISP
Factor:	0.96	1.0	1.02	1.04	0.80	0.83	0.65

### Accent Lights 7W

Note: Data per head

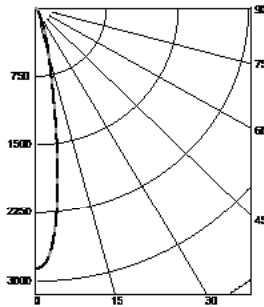
**Spot (SP) Distribution, 13°**  
LTL #1274675  
Lumens: 451



**Candelas at Nadir**

Deg	Candela
0	4861
5	3303
15	444
25	63
35	22
45	14

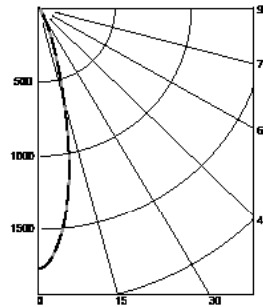
**Narrow Flood (NF) Distribution, 18°**  
LTL#1274676  
Lumens: 429



**Candelas at Nadir**

Deg	Candela
0	2860
5	2357
15	490
25	126
35	40
45	14

**Flood (FL) Distribution, 28°**  
LTL # 1274677  
Lumens: 440



**Candelas at Nadir**

Deg	Candela
0	1760
5	1578
15	652
25	160
35	42
45	13

## APPLICATION DATA:

### Notes and Definitions:

Beam spread is to 50% center beam candlepower (CBCP).

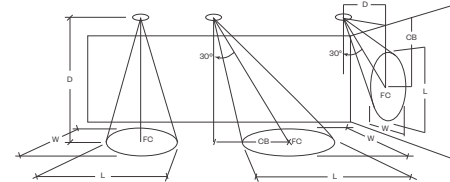
D=Distance to floor or wall.

FC=Footcandles on floor or wall at center beam aiming location.

L=Effective Visual Beam length in feet (50% of maximum footcandle level).

W=Effective Visual Beam width in feet (50% of maximum footcandle level).

CB=Distance across or down to center beam location.



**0° Aiming Angle Horizontal Footcandles**



**30° Aiming Angle Horizontal Footcandles**



**30° Aiming Angle Vertical Footcandles**



**60° Aiming Angle Vertical Footcandles**

	0° Aiming Angle Horizontal Footcandles					30° Aiming Angle Horizontal Footcandles					30° Aiming Angle Vertical Footcandles					60° Aiming Angle Vertical Footcandles				
	D	FC	L	W	CB	D	FC	L	W	CB	D	FC	L	W	CB	D	FC	L	W	CB
<b>Spot</b>	5.0'	194	1.2	1.2		5.0'	125	1.5	1.3	3.0	3.0'	73	2.9	1.3	5.0	3.0'	253	1.3	1.1	2.0
	7.5'	86	1.7	1.7		7.5'	55	2.4	2.0	4.0	4.0'	42	3.5	1.7	6.0	4.0'	181	1.5	1.1	2.0
	10.0'	49	2.5	2.5		10.0'	31	3.3	2.9	6.0	5.0'	27	4.2	2.4	8.0	5.0'	121	1.7	1.4	3.0
	12.5'	31	3.0	3.0		12.5'	21	3.9	3.4	7.0	6.0'	19	5.2	2.8	9.0	6.0'	80	2.2	1.6	3.0
<b>Narrow Flood</b>	5.0'	115	1.4	1.4		5.0'	74	2.0	1.6	3.0	3.0'	45	3.2	1.5	4.0	3.0'	168	1.5	1.2	2.0
	7.5'	51	2.3	2.3		7.5'	34	2.9	2.7	4.0	4.0'	28	3.9	2.1	6.0	4.0'	119	1.7	1.3	2.0
	10.0'	29	3.1	3.1		10.0'	19	3.9	3.4	5.0	5.0'	18	4.9	2.8	7.0	5.0'	72	2.1	1.6	3.0
	12.5'	18	3.7	3.7		12.5'	12	4.8	1.2	7.0	6.0'	13	5.9	3.2	9.0	6.0'	53	2.4	1.9	3.0
<b>Flood</b>	5.0'	71	2.2	2.2		5.0'	46	2.9	2.6	3.0	3.0'	35	3.4	2.2	4.0	3.0'	107	2.1	1.5	2.0
	7.5'	31	3.2	3.2		7.5'	21	4.0	3.6	4.0	4.0'	20	4.5	2.9	5.0	4.0'	75	2.2	1.9	2.0
	10.0'	18	4.4	4.4		10.0'	12	5.4	4.9	5.0	5.0'	13	5.7	3.6	6.0	5.0'	45	2.9	2.7	3.0
	12.5'	11	5.4	5.4		12.5'	8	6.9	6.2	6.0	6.0'	9	7.0	4.4	8.0	6.0'	33	3.3	2.9	3.0



# Linea<sup>®</sup> 1.5" Direct with Accents

Linear Direct with Adjustable Accents, LED



## PROJECT:

## TYPE:

### DIMMING COMPATIBILITY:

Amerlux<sup>®</sup> Linea fixtures are compatible with all major dimming protocols prevalent in the United States. Please see below for general compatibilities and wiring diagrams. Amerlux recommends testing your unique dimming configuration as the exact full configuration (Dimmer, Fixture Quantity, Voltage, etc) may affect dimming performance.

**--- NOTE: INFORMATION BELOW IS FOR WIRED DIMMERS ONLY. FOR WIRELESS DIMMERS, CONSULT FACTORY ---**

### 0-10V - DIMMING (Standard)

Integrates into a variety of building management and daylighting controls

#### Notes:

- 120VAC or 277VAC\*
- Dims down to 1% light output
- Requires interface to turn off power to driver
- Consult Dimming manufacturer for installation instructions - DO NOT SHARE NEUTRALS!

#### Compatible Dimmers†:

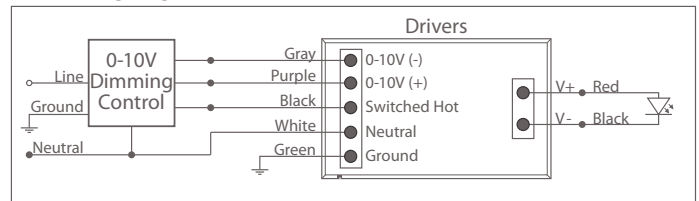
##### Wall Box

Lutron:	Wattstopper:	Leviton:
Diva - DVSTV	ADF-120277	Renoir II
Maestro - MS-Z101		
Nova-T - NTSTV-DV		

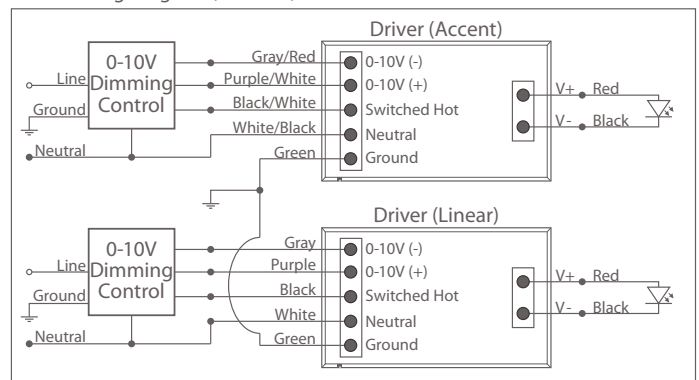
##### Center System

Lutron Grafikx Eye with GRX-TV1 Interface

0-10V Wiring Diagram (1 Circuit)



0-10V Wiring Diagram (2 Circuit)



### DALI - DALI DIMMING

Digital control protocol allows individual fixture control

#### Notes:

- 120VAC - 277VAC\*
- Dims down to 1% light output in most cases

#### Compatible Dimmers†:

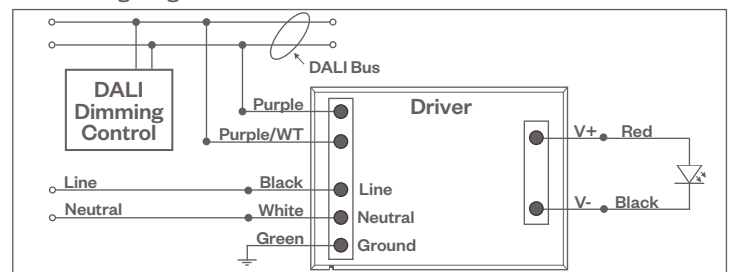
##### Wall Box

Leviton CD250 Controller

##### Center System

Dynalite  
Fifth Light

DALI Wiring Diagram



#### Notes:

- \* Driver is 277VAC dimmable with appropriate dimmer (by others). All provided wiring diagrams show 120VAC wiring colors and method. Please refer to 277VAC dimmer installation instructions for 277VAC wiring diagrams.
- † The absence of a dimmer from the lists above does not imply incompatibility. Please consult factory for compatibility inquiries.