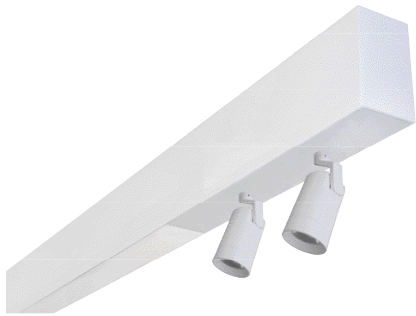


Linea® 1.5"

Linear Direct/Indirect
with Adjustable Accents



Features

Linea Accent drives your design scenario, seamlessly. Streamlined and adjustable, these architectural LED accents provide the freedom to create truly dynamic spaces. A synthesis of aesthetics, performance and energy efficiency, the Linea Accent family delivers on its promises. Our new Linea Accent 1.5" pendant proves when it comes to lighting, less really is more.

Product Overview

Type:	Direct/Indirect Lens, Louver Down/Batwing, Clear Lens Up
Wattage (Linear):	5W/ft, 10W/ft (other wattages available see p2)
Wattage (Accent):	7W (per accent head)
Color Temp:	2700K, 3000K, 3500K, 4000K
CRI:	83 typ. or 90+ typ
Dimming:	0-10V, 1% dimming (standard) DALI dimming, 1% dim

PROJECT:

TYPE:



Fixture Summary (see following pages for more information)

Performance Chart - Linear Ambient

Nominal Wattage/Foot	Delivered Lumens			LPW	Color Temp-CRI
	Direct	Indirect	Total		
5/5	1920	2095	4015	114.4	3500K-83
10/10	3691	3948	7639	108.7	3500K-83

Data is based on 3500K-83 IES files available on website

Data is based on 4' fixture with Performance Lens direct & Batwing Lens indirect

Performance Chart-Accent

Watts	Delivered Lumens	LPW	CBCP	Color Temp
7	451	63.3	4861	3000K-83

Data is per head and is based on Spot optic

Electrical Data-Linear

Wattage Per Foot		4'		8'	
		System Watts	Amps	System Watts	Amps
5	120V	35.1	0.29	70.2	0.59
	277V	35.1	0.13	70.2	0.25
10	120V	70.3	0.59	140.6	1.17
	277V	70.3	0.25	140.6	0.51

Electronic multi-volt (120-277VAC), constant current LED driver

Electrical Data-Accent

	7W/Accent	
	System Watts	Amps
120V	7	0.06
277V	7	0.03



Linea[®] 1.5" D/I with Accents

Linear Direct/Indirect with Adjustable Accents, LED



PROJECT:

TYPE:

Ordering Information

LA1.5-DI

120/277

1

2

3

4

5

6

7

8

9

10

11

12

13

1

Model

LA1.5-DI - linear with 12" accent plate on both ends

2

Optics

Direct:

PL - performance lens

SLDW - straight blade louver, white aluminum, solid blades w/overlay

SLDB - straight blade louver, black, solid blades w/overlay

SLDS - straight blade louver, silver, solid blades w/overlay

ASY - asymmetric lens

Indirect:

BAT - batwing uplight (standard)

UC - upper clear lens cover

3

Mounting

ASW10 - through ceiling tile or gyp board, white, 10'

ASW20 - through ceiling tile or gyp board, white, 20'

ASB10 - through ceiling tile or gyp board, black, 10'

ASB20 - through ceiling tile or gyp board, black, 20'

ASW10T - over ceiling tee, white, 10'

ASW20T - over ceiling tee, white, 20'

ASB10T - over ceiling tee, black, 10'

ASB20T - over ceiling tee, black, 20'

4

Circuiting

1 - single circuit for direct, indirect & accent

2 - 2 circuits for separate control of direct/indirect & accent, single feed

3 - 3 circuits for separate control of direct, indirect & accent, two feeds

5

Wattage (per foot, down/up)

5/5

10/10

5/10

10/5

Consult factory for other wattage options

Note: Accent - 7W/Accent

6

Color Temp (for both linear & accent)

83 CRI:

27 - 2700K-83

30 - 3000K-83

35 - 3500K-83

40 - 4000K-83

90+ CRI:

279 - 2700K-90+

309 - 3000K-90+

359 - 3500K-90+

409 - 4000K-90+

7

Finish

HW - high reflectance matte white

BT - black texture

ST - silver texture

For other RAL color, consult factory

8

Voltage

120/277

9

Length (of entire fixture, see page 5)

4 - 4' Ind. (4' indirect, 2' direct, 12" plate with accent(s) on both ends)

5 - 5' Ind. (5' indirect, 3' direct, 12" plate with accent(s) on both ends)

6 - 6' Ind. (6' indirect, 4' direct, 12" plate with accent(s) on both ends)

7 - 7' Ind. (7' indirect, 5' direct, 12" plate with accent(s) on both ends)

8 - 8' Ind. (8' indirect, 6' direct, 12" plate with accent(s) on both ends)

10

Accent Heads (7W per accent)

(12" plate on both ends of fixture, plates can have either 1 accent head or 2 accent heads. CCT, CRI & Finish to match linear unit)

BS1 - 12" plate with 1 surface mount accent in center, 14W/fixture

BS2 - 12" plate with 2 surface mount accents at 4 1/2" center to center, 28W/fixture

11

Beam Spreads-Accents

SP - spot, 13°

NF - narrow flood, 18°

FL - flood, 28°

12

Drivers

0-10V - 1% electronic dimming, multi-volt (120-277VAC) constant current driver (standard).

DALI - DALI Dimming 120-277VAC, 1% dim

13

Options/Accessories-Accents

AH - accessory holder

HEX - hexcell louver (requires AH)

Note: For custom patterns submit EDR on amerlux.com

Linea® 1.5" D/I with Accents

Linear Direct/Indirect with Adjustable Accents, LED



PROJECT:

TYPE:

Specifications

Application

Open office plan, conference rooms, corridors or any indoor retail space where an exciting combination of direct and indirect ambient lighting is desired.

Construction

One piece extruded aluminum housing. Die-cast End Plates match fixture body finish. Die-formed, cold-rolled steel internal components are protected against rust and corrosion.

Optical

Linear:

Direct:

All lenses are snap-in, extruded acrylic, with a maximum length of 8'. Fixtures shipped with lenses installed. Amerlux's proprietary acrylic lens provides excellent transmission while effectively concealing source image. All louvers are retained with spring clips attached to louver side rails, for good fit and retention.

PL - Performance Lens provides high efficiency with greater lens surface brightness.

SLD - Straight blade Louver Direct has 0.5" high blades 0.493" on center with overlay. Available in white aluminum (light gray, appears white when lit), black or silver

ASY - Asymmetric 20° throw lens is backed high diffusion film that eliminates striations.

Indirect:

Extruded acrylic lens with a maximum length of 8'.

BAT - Batwing upright lens spreads light directly above fixture. 18" minimum distance between ceiling plane and top of fixture suggested.

UC - Upper Clear lens cover.

Accent:

Tilt: 0-90°

Rotation: 360°+

Beam Spreads: Spot, 13°; Narrow Flood, 18°; Flood, 28°

LED

Amerlux's boards and patented connector design with brand name LEDs enables Amerlux fixtures to have excellent thermal management and offer a 5 year warranty. Our LED binning is within 3 MacAdam ellipse. Boards are configured for maximum flexibility resulting in even illumination no matter the fixture layout. LED boards are easily replaced in the field with just a Phillips screw driver.

Color Temperature Options: 2700K, 3000K, 3500K, 4000K

CRI: 83 typ. or 90+ typ.

R9 (linear): 16 @ CRI 83, >50 @ CRI 90+

R9 (accent): 7 @ CRI 83, 77 @ CRI 90+

Life: 50,000+ hr., > 70% of initial lumens (L70)

Electrical

Wiring: Individual fixtures are prewired with power cord.

1 - single circuit for direct, indirect & accent

2 - 2 circuits for separate control of direct/indirect & accent, single feed

3 - 3 circuits for separate control of direct, indirect & accent, two feeds (not available for 4' & 5' fixtures)

Linear Ambient:

Standard Wattage: 5W/ft, 10W/ft.

Optional Wattages: 3W/ft, 4W/ft, 6W/ft, 7W/ft, 8W/ft, 9W/ft.

For other wattages consult factory

Accent:

Wattage: 7W per accent head (14W/fixture that are utilizing plates with 1 accent head or 28W/fixture that are utilizing plates with 2 accent heads)

Electronic constant current LED driver, 120V/277V AC input
Emergency circuit via remote inverter or auxiliary emergency power supply (by others).

This product complies with IEEE C62.41 for surge endurance up to 2.5KV. Amerlux® recommends using additional surge protection with this unit (supplied by others), surge damage is not covered under warranty.

Drivers

0-10V - 1% electronic dimming, multi-volt (120-277VAC) constant current driver (standard). Cap leads for non-dim applications.

DALI - DALI Dimming 120-277VAC, 1% dim

Finish

All painted surfaces are premium powder coated baked on for maximum durability and color stability.

HW - High reflective matte White

BT - Black Texture

ST - Silver Texture

For special paint colors supply RAL and/or actual paint chip for factory consultation.

Configurations/Lengths

IND - Individuals are stand alone fixtures made of single lengths of 4' to 8' (in 1' increments). They are supplied with matching painted End Caps and the required mounting hardware.

Mounting

Cable Suspension: Cable is stranded stainless steel wire supplied with cable gripper and 5"x .250" steel die formed canopy. All components are protected against rust and corrosion. Power feeds are 16 gauge 3 or 5 conductor SJT cord supplies in same color as canopy. Amerlux supplies the required feed and non-feed suspension kits based upon length, electrical options and customer requirements. Suspension kit options include: color, length and mounting condition.

Please note: 1 Circuit is standard, the direct & indirect are on the same circuit. 2 Circuits, direct & indirect switched separately with power feeds at both ends.

Certifications

Approved to UL standards for damp locations as tested by CSA
Intended for indoor use only

Warranty

Amerlux's 5 year limited warranty. Please consult Amerlux website for details.

Linea® 1.5" D/I with Accents

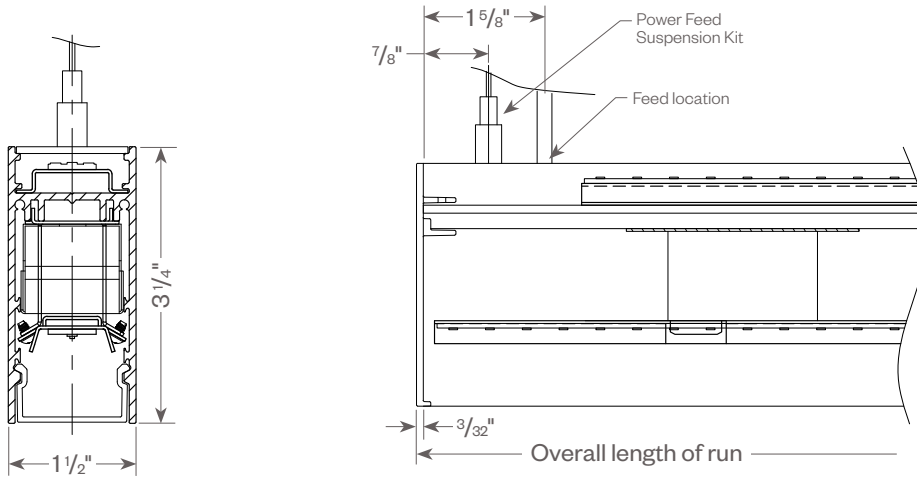
Linear Direct/Indirect with Adjustable Accents, LED



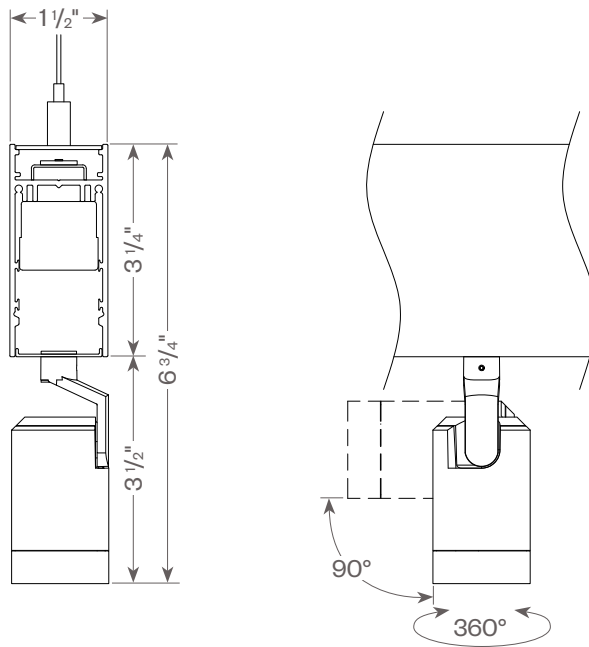
PROJECT:

TYPE:

LINEA 1.5" DIRECT/INDIRECT



ACCENT DETAIL



Linea[®] 1.5" D/I with Accents

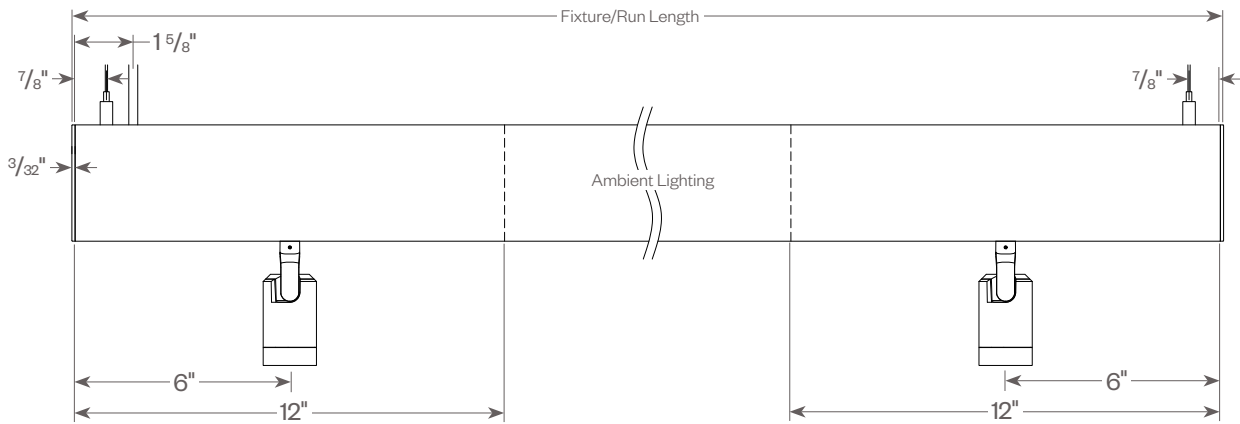
Linear Direct/Indirect with Adjustable Accents, LED



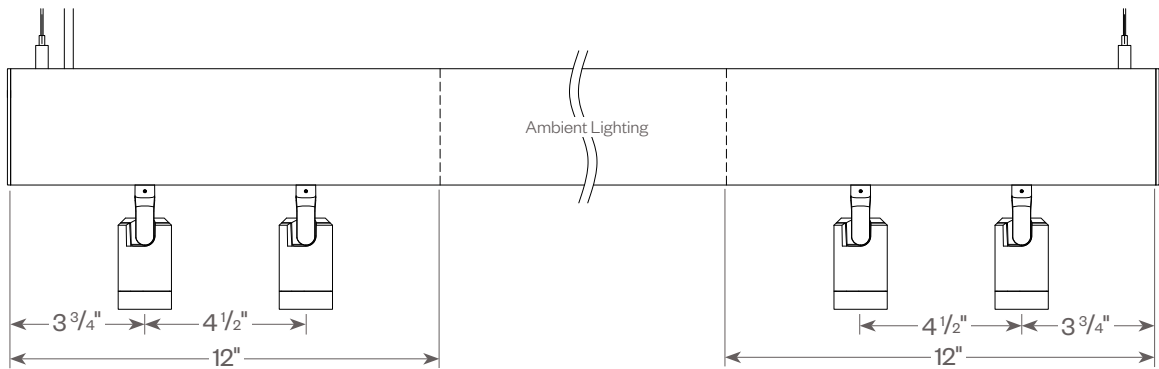
PROJECT:

TYPE:

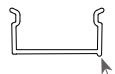
1 ACCENT ON EACH PLATE



2 ACCENTS ON EACH PLATE

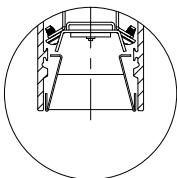


OPTIONAL LENS/LOUVER



For Asymmetric distribution this should be opposite the wall

Optional Asymmetric Lens



Optional Louver

Linea[®] 1.5" D/I with Accents

Linear Direct/Indirect with Adjustable Accents, LED

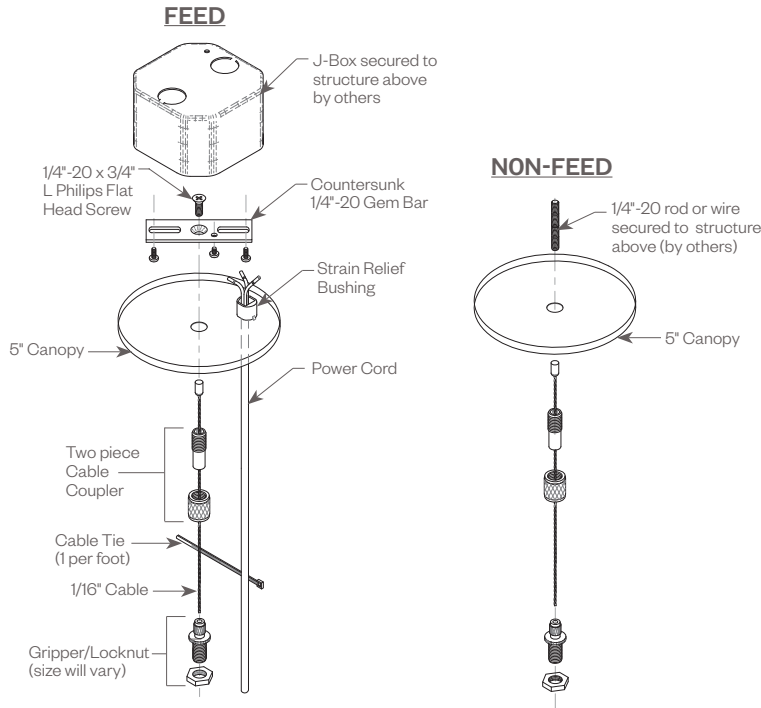


PROJECT:

TYPE:

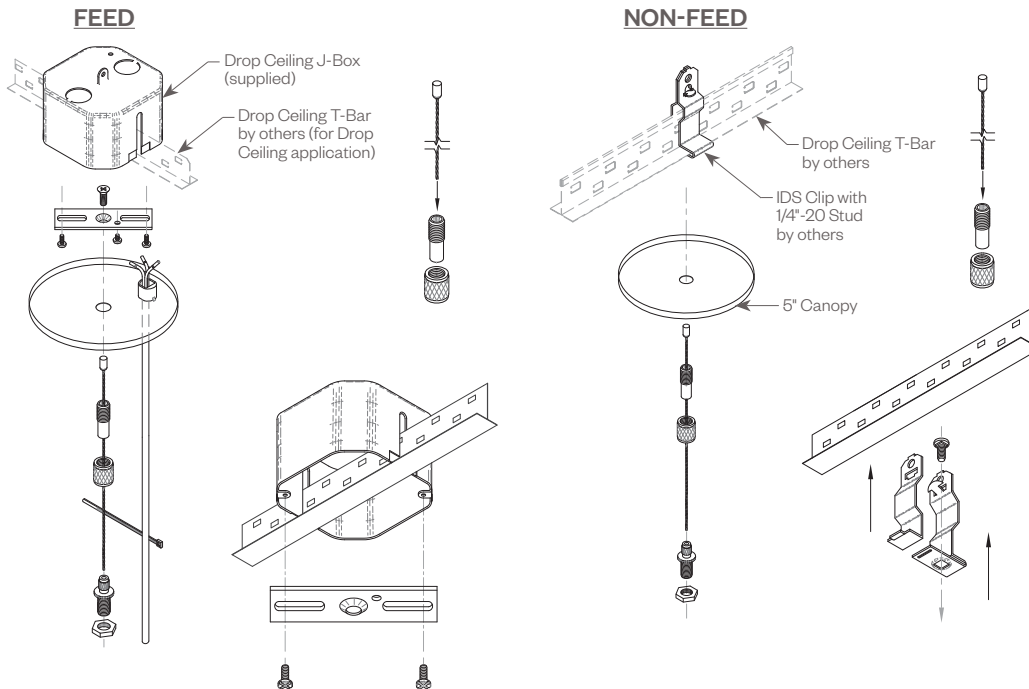
CABLE KIT SUSPENSION OPTIONS:

CEILING OR GYPSUM BOARD (ASW10, ASW20, ASB10, ASB20)



Cat#	Length	Cord/Canopy	Application
ASW10	10'	white/white	ceiling tile/gypsum
ASW20	20'	white/white	ceiling tile/gypsum
ASB10	10'	black/black	ceiling tile/gypsum
ASB20	20'	black/black	ceiling tile/gypsum
ASW10T	10'	white/white	ceiling tee
ASW20T	20'	white/white	ceiling tee
ASB10T	10'	black/black	ceiling tee
ASB20T	20'	black/black	ceiling tee

TEE GRID OR SCREW SLOT (ASW10T, ASW20T, ASB10T, ASB20T)



Linea[®] 1.5" D/I with Accents

Linear Direct/Indirect with Adjustable Accents, LED



PROJECT:

TYPE:

FIXTURE DATA: (Complete photometric data (.ies format) available upon request)

MULTIPLYING FACTORS: (Multiplying Factor is based on 3500K-83 120V IES file on website)

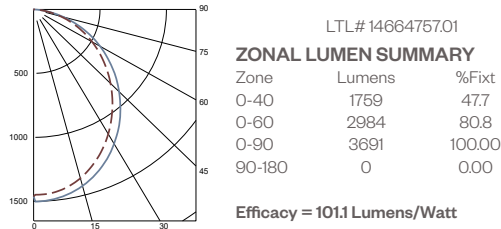
Wattage:	3W	4W	5W	6W	7W	8W	9W	10W
Factor:	0.31	0.42	0.53	0.63	0.72	0.81	0.90	1.0

CCT Factors:				
CRI	2700K	3000K	3500K	4000K
83	0.92	0.97	1.0	1.02
90	0.81	0.84	0.86	0.89

Louver		
Finish:	SLV	BLK
Factor:	1.0	.65

LINEA 1.5" DIRECT PERFORMANCE LENS 10W 3500K 4FT

Total Watts: 37; Total Lumens: 3691
Source: 96 White LED's



COEFFICIENTS OF UTILIZATION

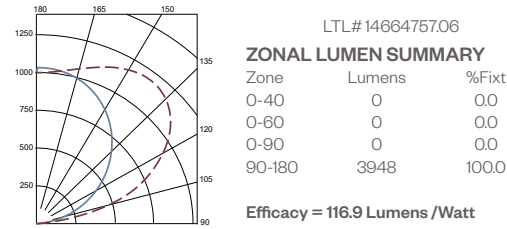
Effective Floor Cavity Reflectance 20%

RC	80			
RW	70	50	30	10
RCR				
0	119	119	119	119
1	109	105	100	97
2	100	92	85	79
3	91	81	73	66
4	83	72	63	57
5	77	64	55	49
6	71	58	49	43
7	66	53	44	38
8	62	48	40	34
9	58	44	36	31
10	54	41	33	28

Note: Values are expressed as percent of total lumen output delivered to the task surface.

LINEA 1.5" INDIRECT BATWING LENS 10W 3500K 4FT

Total Watts: 34; Total Lumens: 3948
Source: 88 White LED's



COEFFICIENTS OF UTILIZATION

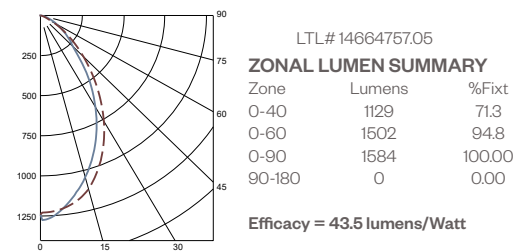
Effective Floor Cavity Reflectance 20%

RC	80			
RW	70	50	30	10
RCR				
0	95	95	95	95
1	87	83	79	76
2	79	72	66	62
3	72	63	57	51
4	65	56	48	43
5	60	49	42	36
6	55	44	36	31
7	50	39	32	27
8	47	35	28	23
9	43	32	25	20
10	40	29	22	18

Note: Values are expressed as percent of total lumen output delivered to the task surface.

LINEA 1.5" STRAIGHT BLADE LOUVER (SLV) 10W 3500K 4FT

Total Watts: 37; Total Lumens: 1584
Source: 96 White LED's



COEFFICIENTS OF UTILIZATION

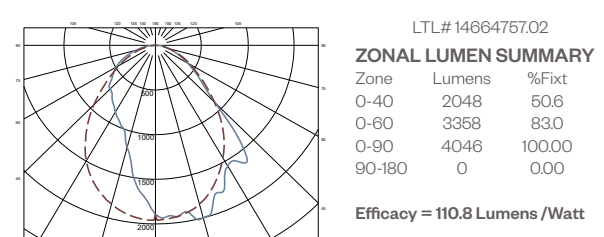
Effective Floor Cavity Reflectance 20%

RC	80			
RW	70	50	30	10
RCR				
0	119	119	119	119
1	112	109	106	103
2	105	99	94	89
3	98	90	84	79
4	91	82	75	70
5	86	75	68	63
6	80	70	62	57
7	75	64	57	52
8	71	60	53	48
9	67	56	49	44
10	63	52	45	41

Note: Values are expressed as percent of total lumen output delivered to the task surface.

LINEA 1.5" ASYMMETRIC LENS 10W 3500K 4FT

Total Watts: 37; Total Lumens: 4046
Source: 96 White LED's



COEFFICIENTS OF UTILIZATION

Effective Floor Cavity Reflectance 20%

RC	80			
RW	70	50	30	10
RCR				
0	119	119	119	119
1	110	105	101	97
2	100	92	86	81
3	92	82	74	68
4	85	73	65	58
5	78	66	57	51
6	72	60	51	45
7	67	54	46	40
8	63	50	41	36
9	59	46	38	32
10	55	42	35	30

Note: Values are expressed as percent of total lumen output delivered to the task surface.

Linea[®] 1.5" D/I with Accents

Linear Direct/Indirect with Adjustable Accents, LED



PROJECT:

TYPE:

ACCENT FIXTURE DATA: (Complete photometric data (.ies format) available upon request)

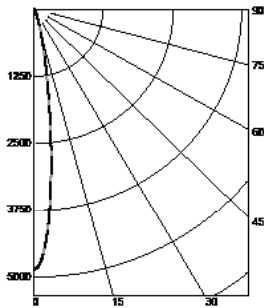
MULTIPLYING FACTORS: (Multiplying Factor is based on 3000K-83 120V IES file on website)

CCT:	2700K-83	3000K-83	3500K-83	4000K-83	2700K-90+	3000K-90+
Factor:	0.96	1.0	1.02	1.04	0.80	0.83

Accent Lights 7W

Note: Data per head

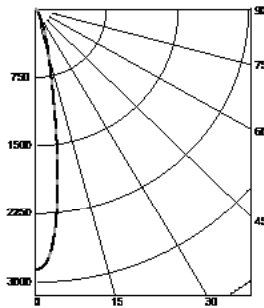
Spot (SP) Distribution, 13°
LTL #1274675
Lumens: 451



Candelas at Nadir

Deg	Candela
0	4861
5	3303
15	444
25	63
35	22
45	14

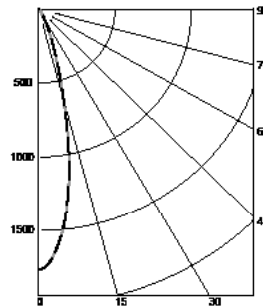
Narrow Flood (NF) Distribution, 18°
LTL#1274676
Lumens: 429



Candelas at Nadir

Deg	Candela
0	2860
5	2357
15	490
25	126
35	40
45	14

Flood (FL) Distribution, 28°
LTL # 1274677
Lumens: 440



Candelas at Nadir

Deg	Candela
0	1760
5	1578
15	652
25	160
35	42
45	13

APPLICATION DATA:

Notes and Definitions:

Beam spread is to 50% center beam candlepower (CBCP).

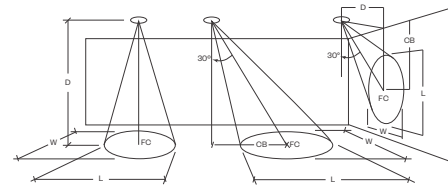
D=Distance to floor or wall.

FC=Footcandles on floor or wall at center beam aiming location.

L=Effective Visual Beam length in feet (50% of maximum footcandle level).

W=Effective Visual Beam width in feet (50% of maximum footcandle level).

CB=Distance across or down to center beam location.



**0° Aiming Angle
Horizontal
Footcandles**



**30° Aiming Angle
Horizontal
Footcandles**



**30° Aiming Angle
Vertical
Footcandles**



**60° Aiming Angle
Vertical
Footcandles**

	0° Aiming Angle Horizontal Footcandles				30° Aiming Angle Horizontal Footcandles					30° Aiming Angle Vertical Footcandles					60° Aiming Angle Vertical Footcandles				
	D	FC	L	W	D	FC	L	W	CB	D	FC	L	W	CB	D	FC	L	W	CB
Spot	5.0'	194	1.2	1.2	5.0'	125	1.5	1.3	3.0	3.0'	73	2.9	1.3	5.0	3.0'	253	1.3	1.1	2.0
	7.5'	86	1.7	1.7	7.5'	55	2.4	2.0	4.0	4.0'	42	3.5	1.7	6.0	4.0'	181	1.5	1.1	2.0
	10.0'	49	2.5	2.5	10.0'	31	3.3	2.9	6.0	5.0'	27	4.2	2.4	8.0	5.0'	121	1.7	1.4	3.0
	12.5'	31	3.0	3.0	12.5'	21	3.9	3.4	7.0	6.0'	19	5.2	2.8	9.0	6.0'	80	2.2	1.6	3.0
Narrow Flood	5.0'	115	1.4	1.4	5.0'	74	2.0	1.6	3.0	3.0'	45	3.2	1.5	4.0	3.0'	168	1.5	1.2	2.0
	7.5'	51	2.3	2.3	7.5'	34	2.9	2.7	4.0	4.0'	28	3.9	2.1	6.0	4.0'	119	1.7	1.3	2.0
	10.0'	29	3.1	3.1	10.0'	19	3.9	3.4	5.0	5.0'	18	4.9	2.8	7.0	5.0'	72	2.1	1.6	3.0
	12.5'	18	3.7	3.7	12.5'	12	4.8	1.2	7.0	6.0'	13	5.9	3.2	9.0	6.0'	53	2.4	1.9	3.0
Flood	5.0'	71	2.2	2.2	5.0'	46	2.9	2.6	3.0	3.0'	35	3.4	2.2	4.0	3.0'	107	2.1	1.5	2.0
	7.5'	31	3.2	3.2	7.5'	21	4.0	3.6	4.0	4.0'	20	4.5	2.9	5.0	4.0'	75	2.2	1.9	2.0
	10.0'	18	4.4	4.4	10.0'	12	5.4	4.9	5.0	5.0'	13	5.7	3.6	6.0	5.0'	45	2.9	2.7	3.0
	12.5'	11	5.4	5.4	12.5'	8	6.9	6.2	6.0	6.0'	9	7.0	4.4	8.0	6.0'	33	3.3	2.9	3.0

Linea® 1.5" D/I with Accents

Linear Direct/Indirect with Adjustable Accents, LED



PROJECT:

TYPE:

DIMMING COMPATIBILITY:

Amerlux® Linea fixtures are compatible with all major dimming protocols prevalent in the United States. Please see below for general compatibilities and wiring diagrams. Amerlux recommends testing your unique dimming configuration as the exact full configuration (Dimmer, Fixture Quantity, Voltage, etc) may affect dimming performance.

--- NOTE: INFORMATION BELOW IS FOR WIRED DIMMERS ONLY. FOR WIRELESS DIMMERS, CONSULT FACTORY ---

0-10V - DIMMING (Standard)

Integrates into a variety of building management and daylighting controls

Notes:

- 120VAC or 277VAC*
- Dims down to 1% light output
- Requires interface to turn off power to driver
- Consult Dimming manufacturer for installation instructions - DO NOT SHARE NEUTRALS!

Compatible Dimmers†:

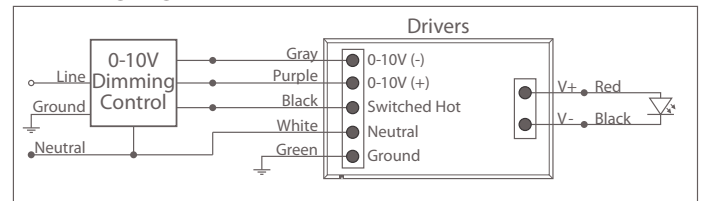
Wall Box

Lutron:	Wattstopper:	Leviton:
Diva - DVSTV	ADF-120277	Renoir II
Maestro - MS-Z101		
Nova-T - NTSTV-DV		

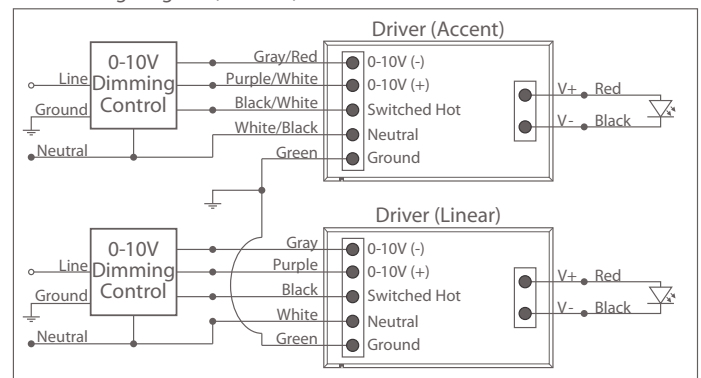
Center System

Lutron Grafikx Eye with GRX-TV1 Interface

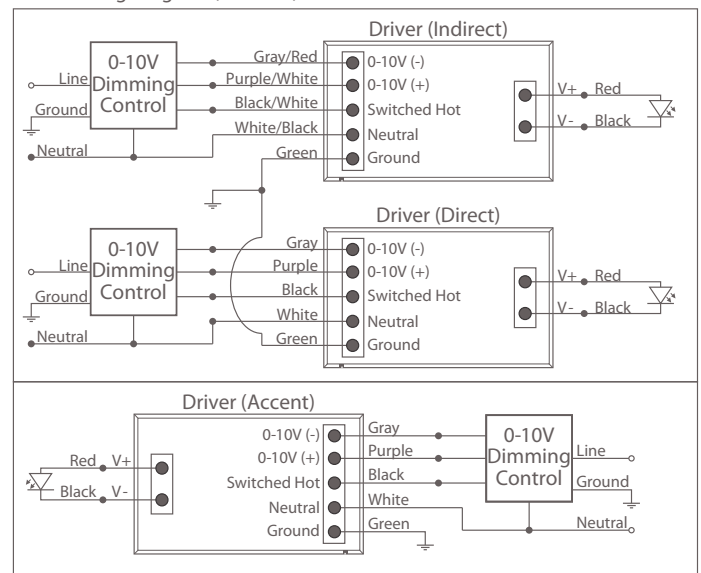
0-10V Wiring Diagram (1 Circuit)



0-10V Wiring Diagram (2 Circuit)



0-10V Wiring Diagram (3 Circuit)



Notes:

- * Driver is 277VAC dimmable with appropriate dimmer (by others). All provided wiring diagrams show 120V wiring colors and method. Please refer to 277VAC dimmer installation instructions for 277VAC wiring diagrams.
- † The absence of a dimmer from the lists above does not imply incompatibility. Please consult factory for compatibility inquiries.

Linea® 1.5" D/I with Accents

Linear Direct/Indirect with Adjustable Accents, LED



PROJECT:

TYPE:

DIMMING COMPATIBILITY:

Amerlux® Linea fixtures are compatible with all major dimming protocols prevalent in the United States. Please see below for general compatibilities and wiring diagrams. Amerlux recommends testing your unique dimming configuration as the exact full configuration (Dimmer, Fixture Quantity, Voltage, etc) may affect dimming performance.

--- NOTE: INFORMATION BELOW IS FOR WIRED DIMMERS ONLY. FOR WIRELESS DIMMERS, CONSULT FACTORY ---

DALI - DALI DIMMING

Digital control protocol allows individual fixture control

Notes:

- 120VAD - 277VAC*
- Dims down to 1% light output in most cases

Compatible Dimmers†:

Wall Box

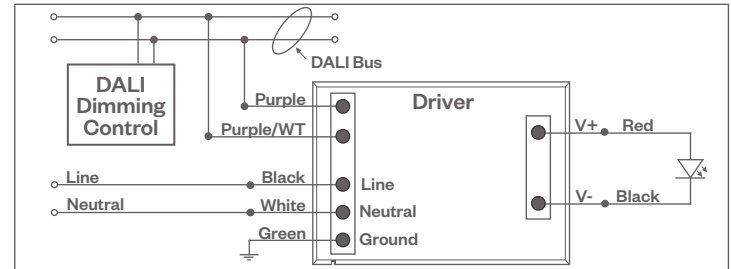
Leviton CD250 Controller

Center System

Dynalite

Fifth Light

DALI Wiring Diagram



Notes:

- * Driver is 277VAC dimmable with appropriate dimmer (by others). All provided wiring diagrams show 120VAC wiring colors and method. Please refer to 277VAC dimmer installation instructions for 277VAC wiring diagrams.
- † The absence of a dimmer from the lists above does not imply incompatibility. Please consult factory for compatibility inquiries.