

GRUV® 1.5"

INTERNATIONAL RECESSED LINEAR LED

I-GRUV1.5
LED

APPLICATION:

Retail and commercial recessed ambient lighting

CONSTRUCTION:

Extruded aluminum housing and trim
Die-formed, cold-rolled steel internal components and external housing

OPTICS:

5W/ft or 10W/ft
Various color temps available
Extruded white acrylic lens, snap-in, 8' maximum section
Amerlux® exclusive white acrylic lens provides excellent transmission while effectively concealing lamp image

ELECTRICAL:

Electronic, 240v constant current driver
1% Dimmable, 0-10v standard
This product complies with IEEE C62.41 for surge endurance up to 3KV. Amerlux recommends using additional surge protection with this unit (supplied by others), surge damage is not covered by warranty
Emergency circuit via remote inverter or auxiliary emergency power supply (by others)

Driver	Wattage per foot		4'		8'	
			System watts	Amps	System watts	Amps
Electronic	5	240v	18.2	.08	36.5	.15
	10	240v	36.5	.15	73	.30

MOUNTING:

For use in gypsum board ceilings
For individual or continuous row applications
Fixture installed before ceiling

CABELING:

For indoor use only

Note: Diagrams on page 2



PROJECT:

TYPE:



Electrostatic sensitive device,
observe precautions for
handling

3 year limited
warranty
AMERLUX INTERNATIONAL
(see website for details)

ORDERING INFORMATION:

Model	Light Distr./Shielding	Wattage Per Foot	Lamp Type	Color Temp	Finish	Voltage	Length	Configuration	Listing Code	Driver
I-GRUV1.5-FLG	LD - lens direct	5	LED	2700	HW - high reflectance	240	4 - 4'	IND - individual	CE	0-10V - 0-10v dimming (standard)
I-GRUV1.5-GB	SLD - straight blade louver direct with overlay, specify color: B (blk), S (slv), W (wh)	10		3000 3500 4000	white		8 - 8' — - continuous run (consult factory)	BOR - beginning of run MOR - middle of run EOR - end of run		DALI - EldoLed DALI ND - non-dimming driver
I-GRUV1.5-IS										
I-GRUV1.5-J/GB										

Example: i-GRUV1.5-GB-LD-10-LED-3500-HW-240-4-IND-CE-0-10V

Cat #:

Amerlux reserves the right to change details that do not affect overall function and performance.

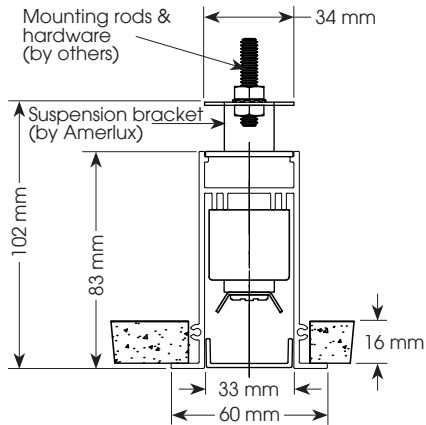
GRUV® 1.5"

INTERNATIONAL RECESSED LINEAR LED

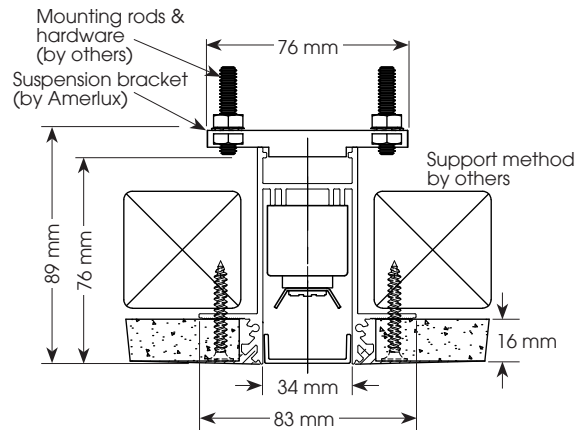
I-GRUV1.5
LED



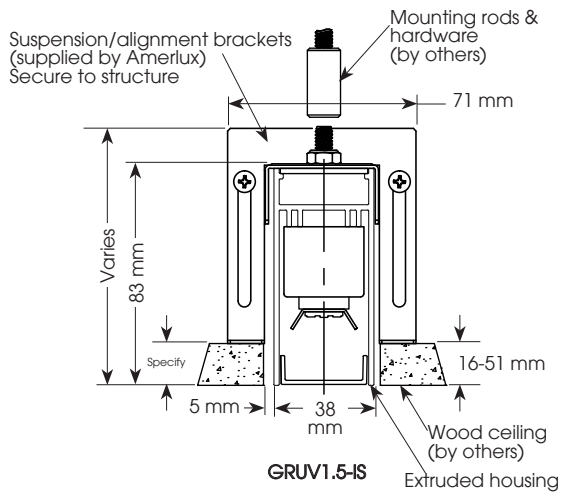
TYPE:



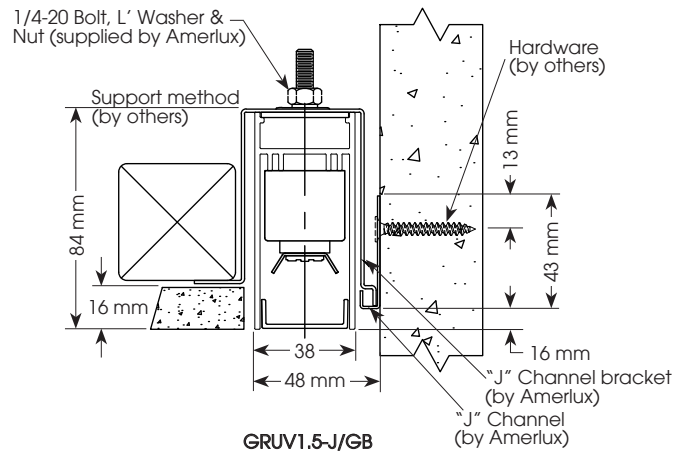
GRUV1.5-FLG



GRUV1.5-GB



GRUV1.5-IS



GRUV1.5-J/GB

GRUV® 1.5"

INTERNATIONAL RECESSED LINEAR LED

I-GRUV1.5
LED



TYPE:

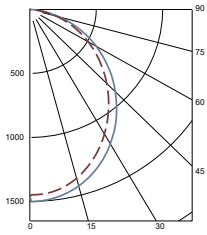


FIXTURE DATA: For 5w data, multiply by 0.53

LINEA 1.5" DIRECT PERFORMANCE LENS

10W 3500K 4FT
Total Watts: 37; Total Lumens: 3691
Source: 96 White LED's

LTL# 14664757.01



ZONAL LUMEN SUMMARY

Zone	Lumens	%Fixt
0-40	1759	47.7
0-60	2984	80.8
0-90	3691	100.00
90-180	0	0.00

Efficacy = 101.1 Lumens/Watt

COEFFICIENTS OF UTILIZATION

Effective Floor Cavity Reflectance 20%

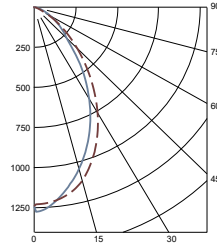
RC	80			
RW	70	50	30	10
RCR				
0	119	119	119	119
1	109	105	100	97
2	100	92	85	79
3	91	81	73	66
4	83	72	63	57
5	77	64	55	49
6	71	58	49	43
7	66	53	44	38
8	62	48	40	34
9	58	44	36	31
10	54	41	33	28

Note: Values expressed as percent of total lumen output delivered to the task surface.

LINEA 1.5" STRAIGHT BLADE LOUVER (SLV)

10W 3500K 4FT
Total Watts: 37; Total Lumens: 1584
Source: 96 White led's

LTL# 14664757.05



ZONAL LUMEN SUMMARY

Zone	Lumens	%Fixt
0-40	1129	71.3
0-60	1502	94.8
0-90	1584	100.00
90-180	0	0.00

Efficacy = 43.5 Lumens /Watt

COEFFICIENTS OF UTILIZATION

Effective Floor Cavity Reflectance 20%

RC	80			
RW	70	50	30	10
RCR				
0	119	119	119	119
1	112	109	106	103
2	105	99	94	89
3	98	90	84	79
4	91	82	75	70
5	86	75	68	63
6	80	70	62	57
7	75	64	57	52
8	71	60	53	48
9	67	56	49	44
10	63	52	45	41

Note: Values expressed as percent of total lumen output delivered to the task surface.