

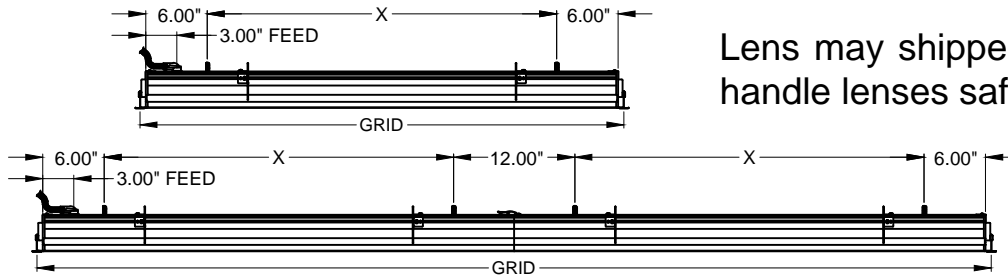


GRUV1.5-FR-GRID

9/16" GRID Ceiling

WARNING - RISK OF FIRE AND ELECTRICAL SHOCK. FIXTURE MUST BE INSTALLED BY A QUALIFIED ELECTRICIAN ONLY. FIXTURE IS INTENDED FOR INSTALLATION IN ACCORDANCE WITH THE NATIONAL ELECTRICAL CODE, LOCAL AND FEDERAL SPECIFICATIONS. DISCONNECT POWER AT ELECTRICAL PANEL BEFORE SERVICING .
RETAIN THESE INSTRUCTIONS FOR MAINTENANCE REFERENCE.

Suspension Points

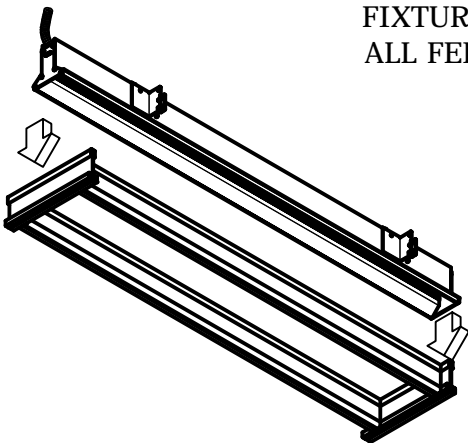


Example of a continuous row

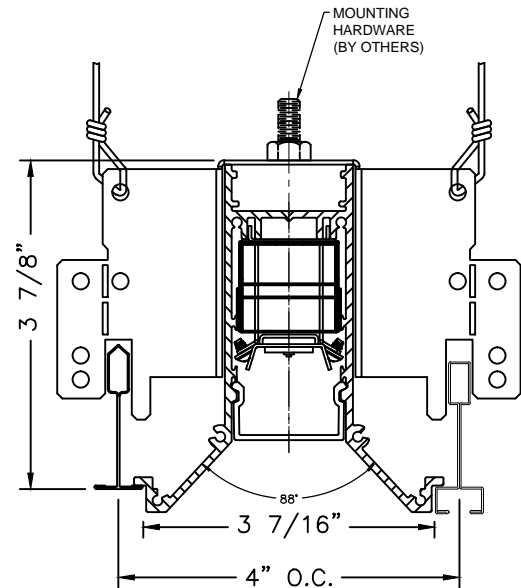
Lens may shipped separately. Store and handle lenses safely until installed.

Individual Installation - (INDIVIDUAL FIXTURE SHIPPED AS SHOWN)

FIXTURES TO BE INSTALLED PER NEC "MEANS OF SUPPORT" AND ALL FEDERAL, NATIONAL AND LOCAL BUILDING CODES.



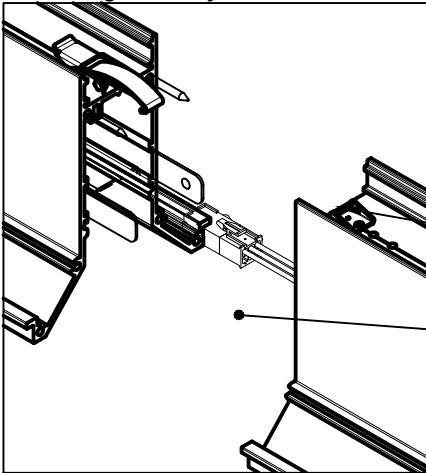
- 1.) CEILING GRID TO BE INSTALLED (BY OTHERS)
- 2.) FIXTURE TO BE INSTALLED WITHIN 9/16" TEE GRID.
- 3.) LIFT FIXTURE INTO PLACE IN CEILING GRID, HANDLE FIXTURE CAREFULLY TO AVOID BOWING AND/OR FIXTURE DISTORTION. INSTALL FIXTURE INTO CEILING GRID, MAKING SURE FIXTURE FLANGE RESTS ON CEILING GRID.
- 4.) BEND GRID TABS AGAINST GRID BEAM, THEN PRESS BOTTOM TABS SECURELY AGAINST CEILING GRID BULGE. E.C. TO SECURE FIXTURE PER NEC CODE, VIA THREADED ROD, WIRE TIES OR OTHER MEANS (HARDWARE SUPPLIED BY E.C.). FOR SEISMIC AREA SECURE FIXTURE TO BEAM WITH SELF-DRILLING SCREWS (BY OTHERS) OR OTHER MEANS.
- 5.) MAKE SURE POWER IS OFF AT ELECTRICAL PANEL. MAKE ELECTRICAL CONNECTION OF POWER/CONTROL FEED (BY OTHERS) AND FIXTURE FEED WIRES (SEE DETAIL ON PAGE 2).
- 6.) INSTALL FEED CONNECTOR (BY OTHERS) INTO FIXTURE 7/8" HOUSING HOLE.
- 7.) BRING LENS TO THE FIXTURE IF LENS SHIPPED SEPARATELY. DO NOT TOUCH LED BOARD TO PREVENT POSSIBLE LED DAMAGE. INSTALL LENS.
- 8.) RESTORE POWER.





2. Assembling Continuous Rows-

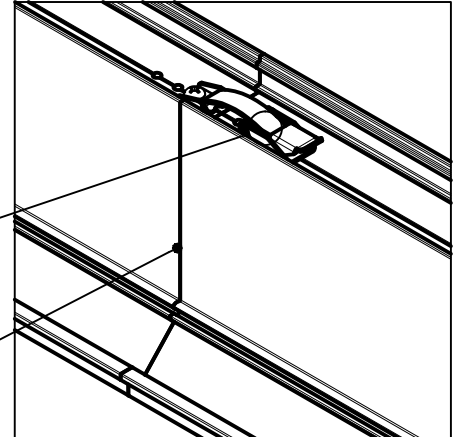
a. Housing Assembly



Joining the Housings
Line up the two housings by using the alignment splines. Secure them together by using the Snap and Latch System on the top of the extrusion.

Catch and Latch

Alignment Spline and/or Pins

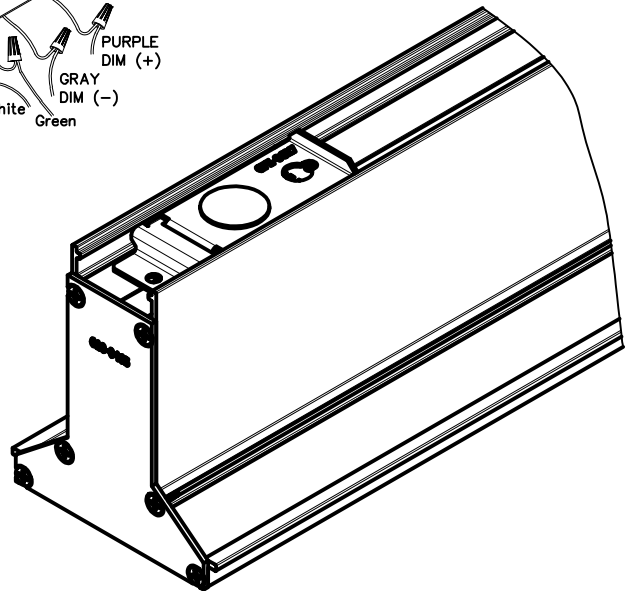
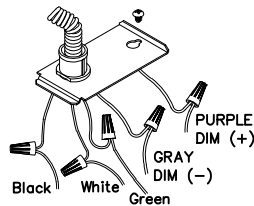


b. Feed connection:

CONNECTOR DETAIL

Note:

1. Additional connections (not shown) as required for, EM circuit, or other wiring requirements.
2. Cap all unused leads (wire nuts supplied by other)



MAKE SURE TO DISCONNECT ALL ELECTRICAL CONNECTIONS BEFORE SERVICING.



C. Reflector Assembly Installation
(Only require for "blocking" support method or to access ballast)

WARNING: Electrostatic and polarity sensitive device.
Use caution while handling and wiring.

1.) LED Fixture:

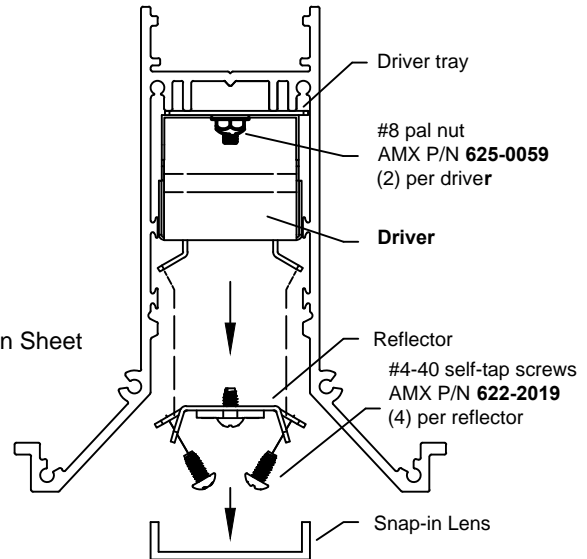
Consult Amerlux for LED maintenance.

2.) LED Replacement:

For LED board replacement reference 689-0500 Instruction Sheet

3.) Driver maintenance:

Drivers are located on tray beneath bottom reflectors, secured by (2) #8 pal nuts per driver.
Remove the reflector mounting screws to access.
For driver replacement, please specify:
Manufacturer, Model No, and Current Setting (mA).
See 710-0134 Wiring Schematic for more details.



MAKE SURE TO DISCONNECT ALL ELECTRICAL CONNECTIONS BEFORE SERVICING.