

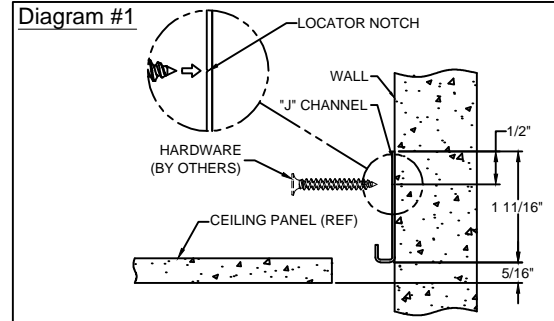
WARNING - RISK OF FIRE AND ELECTRICAL SHOCK. FIXTURE MUST BE INSTALLED BY A QUALIFIED ELECTRICIAN ONLY. FIXTURE IS INTENDED FOR INSTALLATION IN ACCORDANCE WITH THE NATIONAL ELECTRICAL CODE, LOCAL AND FEDERAL SPECIFICATIONS. DISCONNECT POWER AT ELECTRICAL PANEL BEFORE SERVICING.

RETAIN THESE INSTRUCTIONS FOR MAINTENANCE REFERENCE.

GRID AND "J" CHANNEL MUST BE INSTALLED BEFORE FIXTURE. THE PURPOSE OF THE "J" CHANNEL IS TO ALIGN THE FIXTURE ROW TO ARCHITECTURAL ELEMENTS.

INSTALL "J" CHANNEL

- "J" channel may be supplied with the fixture or may be supplied separately.
- "J" channel is supplied in 4' and 8' lengths. For long rows one or more sections of the "J" channel must be field cut to size by installing contractor to fit the row length.
- Install "J" channel **5/16"** above the finished ceiling plane as shown in Diagram #1. Use suitable hardware.
- "J" channel straightness and trueness to architectural layout is contractor's responsibility.
- Fixture will rest in the "J" channel and on the grid as shown in Diagram #5 below, and will be structurally stabilized and secured by A) grid clips, and B) building structural member attached to 1/4-20 stud.

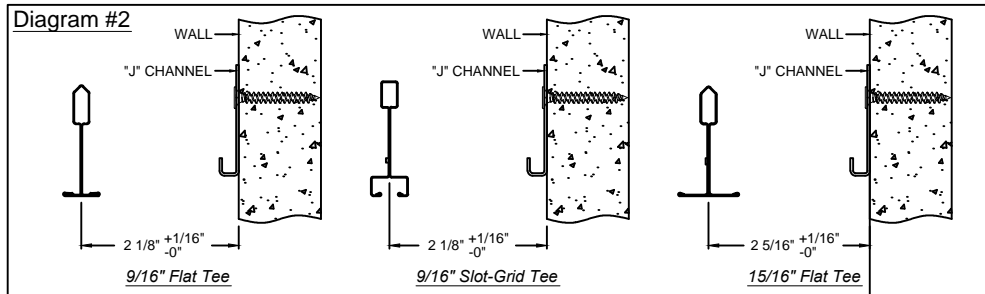


INSTALL GRID

Mount lengthwise tees per Diagram #2:
2 1/8" from wall for 9/16" flat and slot-grid tees,
2 5/16" from wall for 15/16" flat tee.

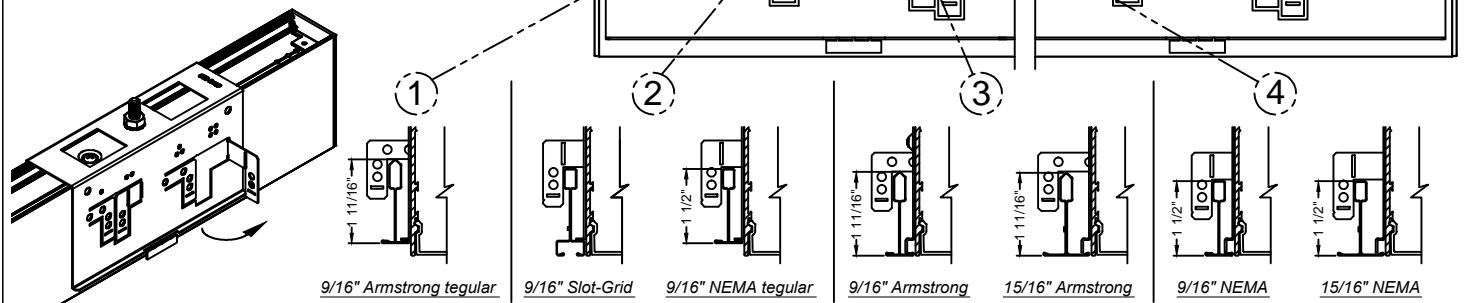
Tee mounting dimension must be held by installer for entire length of run.

Refer to layout for end-of-run tee mounting on-center dimensions.



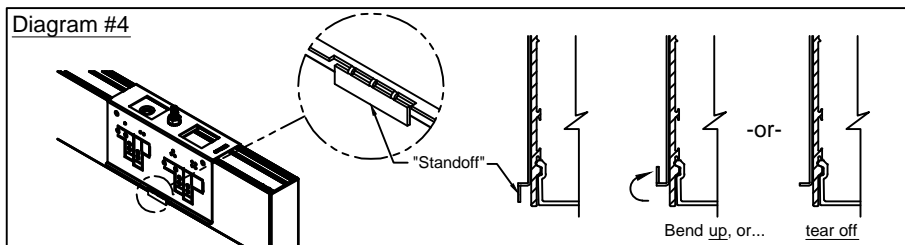
BEND OUT GRID CLIPS

GRUV1.5-COMBO accommodates all common 9/16" and 15/16" tees including 1 1/2"H and 1 11/16"H flat tees. Identify your grid type below, **1, 2, 3 or 4**, and use a flat blade screwdriver to bend-out the corresponding no. tabs on the housing, 2 per fixture, 90° to fixture body, as shown in Diagram #3.



BEND UP "STANDOFF"

If ceiling type is **9/16" Slot-Grid tee** or **9/16" flat tee with tegular tile** (grid type 1 or 2 per Diagram #3 above), hand-bend **up** or **tear off** "standoffs" on grid side of fixture, 2 per fixture.



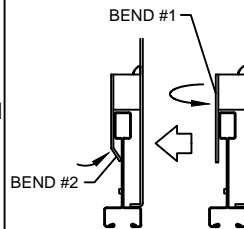
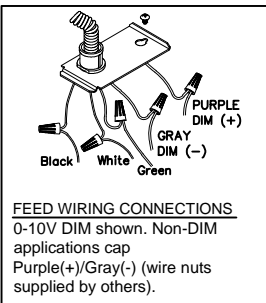
WARNING - RISK OF FIRE AND ELECTRICAL SHOCK. FIXTURE MUST BE INSTALLED BY A QUALIFIED ELECTRICIAN ONLY. FIXTURE IS INTENDED FOR INSTALLATION IN ACCORDANCE WITH THE NATIONAL ELECTRICAL CODE, LOCAL AND FEDERAL SPECIFICATIONS. DISCONNECT POWER AT ELECTRICAL PANEL BEFORE SERVICING.

RETAIN THESE INSTRUCTIONS FOR MAINTENANCE REFERENCE.

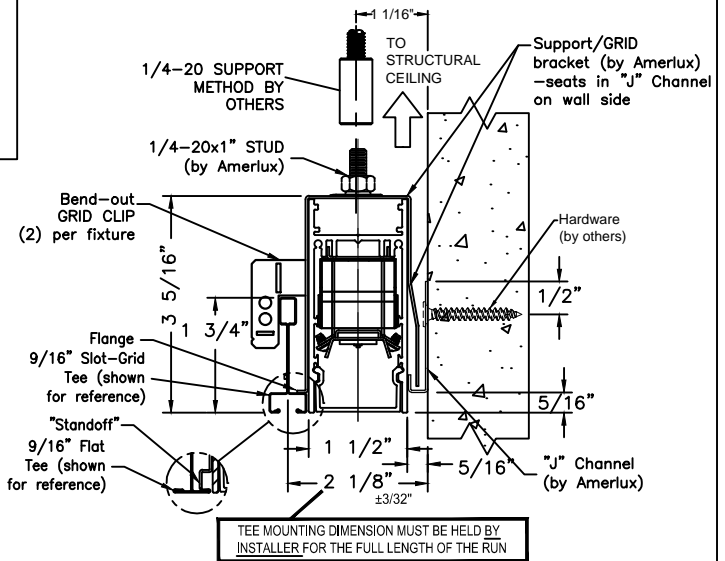
INSTALL GRUV1.5-COMBO FIXTURE:

- 1) Lift fixture into place above ceiling grid. Handle fixture carefully to avoid bowing and/or fixture distortion. Lower fixture onto ceiling grid and "J" angle, making sure bend-out clips and fixture flange or "standoff" rests on tee.
- 2) Hand-bend grid clip to press securely against side of tee (Bend #1) then beneath bulb of tee (Bend #2).
- 3) Secure fixture 1/4-20 studs, 2 per fixture, to structure above via coupler and threaded rod (by others).
- 4) Make sure power is off at electrical panel. Make electrical connections per NEC and local codes.
- 5) If fixture is individual, install correct lamp(s) and lens. **Lens lengths usually correspond to fixture lengths.** If fixture is BoR (Beginning of Run), go to next section.

Diagram #5

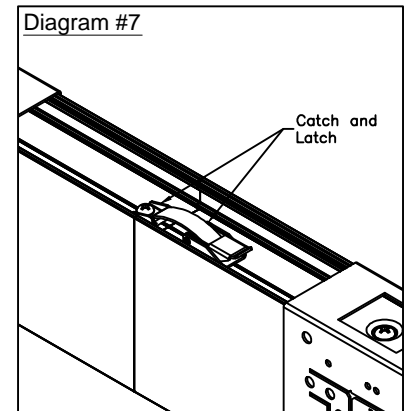
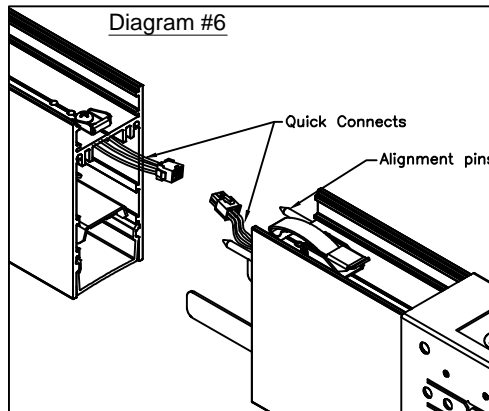


Fixtures to be installed per NEC "means of support" and all federal, national and local building codes.



JOIN FIXTURES IN CONTINUOUS RUN:

1. Bring 2nd fixture close to installed fixture.
2. Connect each reflector assembly via quick connect plugs.
3. Line up the two housings by using the alignment pins, 2 per joint, factory installed in BoR and MoR (Middle of Run) fixtures. Press-fit housings together in tight butt-joint. **Be careful not to pinch harness wires between sheet metal or extrusion.**
4. Secure fixtures together with catch and latch.
5. Repeat for each fixture in row.
6. Install correct lamps and lenses.



**WARNING - RISK OF FIRE AND ELECTRICAL SHOCK. FIXTURE MUST BE INSTALLED BY A QUALIFIED ELECTRICIAN ONLY. FIXTURE IS INTENDED FOR INSTALLATION IN ACCORDANCE WITH THE NATIONAL ELECTRICAL CODE, LOCAL AND FEDERAL SPECIFICATIONS. DISCONNECT POWER AT ELECTRICAL PANEL BEFORE SERVICING.
RETAIN THESE INSTRUCTIONS FOR MAINTENANCE REFERENCE.**

**REFLECTOR REMOVAL:
(only required to access driver)**

**WARNING: Electrostatic and polarity sensitive device.
Use caution while handling and wiring.**

1.) LED Fixture:

Consult Amerlux for LED maintenance.

2.) LED Replacement:

For LED board replacement reference 689-0500 Instruction Sheet

3.) Driver maintenance:

Drivers are located on tray beneath bottom reflectors, secured by (2) #8 pal nuts per driver.

Remove the reflector mounting screws to access.

For driver replacement, please specify:

Manufacturer, Model No, and Current Setting (mA).

See 710-0134 Wiring Schematic for more details.

