

GRÜV® 6" HIGH EFFICIENCY

INTERNATIONAL RECESSED LINEAR LED, GYPSUM BOARD

APPLICATION:

Retail and commercial recessed ambient lighting

CONSTRUCTION:

Steeling housing
Extruded aluminum ceiling trim
Die-formed, cold-rolled steel internal components and external housing

OPTICS:

5w/ft or 10w/ft, 3500K LED's standard
Other color temps available
Extruded white acrylic lens, snap-in, 8' maximum section
Amerlux® exclusive white acrylic lens provides excellent transmission while effectively concealing lamp image

ELECTRICAL:

Electronic constant current driver 240v
Dimmable, 0-10v
This product complies with IEEE C62.41 for surge endurance up to 3KV. Amerlux recommends using additional surge protection with this unit (supplied by others), surge damage is not covered by warranty
Emergency circuit via remote inverter or auxiliary emergency power supply (by others)

MOUNTING:

For use in gypsum board ceilings
For individual or continuous row applications
Fixture installed before ceiling

LABELING:

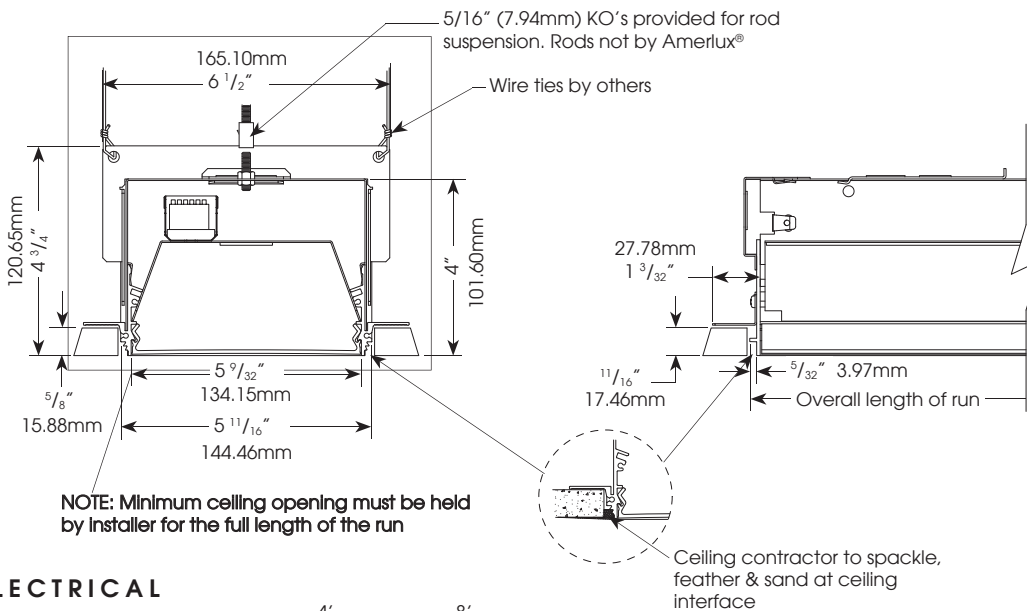
CE
For indoor use only

I-GRÜV6-HE-GB
LED



PROJECT:

TYPE:



ELECTRICAL

Driver	Wattage per foot		4'		8'	
			System watts	Amps	System watts	Amps
Electronic	5	240v	21	.09	42	.18
	10	240v	43	.18	86	.36

ORDERING INFORMATION:

Model	Wattage Per Foot	Lamp Type	Finish	Voltage	Length	Color Temp	Listing Code	Options/Accessories
I-GRUV6-HE-GB	5 10	LED	HW - high reflectance white	240	4 - 4' 8 - 8' — - continuous run (consult factory)	2700 3000 3500 4000	CE	HILUME-DH - Lutron Hi-lume® 3 wire, 1% dim HILUME-ECO - Lutron Hi-lume® EcoSystem, 1% dim

Example: I-GRUV6-HE-GB-5-LED-HW-240-4-3500-CE

Cat #:

Amerlux reserves the right to change details that do not affect overall function and performance.



3 year limited warranty
AMERLUX INTERNATIONAL
(see website for details)

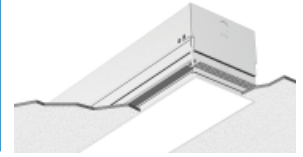
GRÜV® 6" HIGH EFFICIENCY

INTERNATIONAL RECESSED LINEAR LED, GYPSUM BOARD

I-GRÜV6-HE-GB
LED



TYPE:

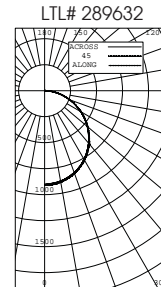
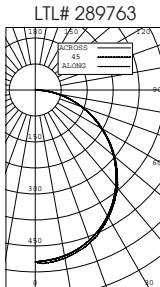


FIXTURE DATA:

Complete photometric data (.ies format) available upon request.

GRÜV HE 5W LED 4FT 3500K
SOURCE: 120 WHITE LEDS LUMENS: 1445
RECESSED

GRÜV HE 10W LED 4FT 3500K
SOURCE: 120 WHITE LEDS LUMENS: 2632
RECESSED



ZONAL LUMEN SUMMARY

Zone	Lumens	%Lamp	%Fixt
0-30	386	N/A	26.69
0-40	631	N/A	43.68
0-60	1118	N/A	77.35
0-90	1445	N/A	99.97
40-90	813	N/A	56.29
60-90	327	N/A	22.62
90-180	0	N/A	0.0
0-180	1445	N/A	100.0

ZONAL LUMEN SUMMARY

Zone	Lumens	%Lamp	%Fixt
0-30	702	N/A	26.67
0-40	1149	N/A	43.64
0-60	2034	N/A	77.29
0-90	2631	N/A	99.96
40-90	1482	N/A	56.32
60-90	597	N/A	22.67
90-180	1	N/A	0.04
0-180	2632	N/A	100.0

Total Luminaire Efficiency = 66.3 Lumens /Watt

Total Luminaire Efficiency = 60.0 Lumens /Watt

COEFFICIENTS OF UTILIZATION

Effective Floor Cavity Reflectance 20%

RC	80			
RW	70	50	30	10
RCR				
0	1.19	1.19	1.19	1.19
1	1.09	1.04	1.00	0.97
2	1.00	0.92	0.86	0.80
3	0.91	0.81	0.73	0.67
4	0.84	0.73	0.64	0.58
5	0.77	0.65	0.56	0.50
6	0.71	0.58	0.49	0.43
7	0.65	0.52	0.43	0.38
8	0.61	0.47	0.39	0.33
9	0.56	0.43	0.35	0.29
10	0.52	0.39	0.31	0.26

COEFFICIENTS OF UTILIZATION

Effective Floor Cavity Reflectance 20%

RC	80			
RW	70	50	30	10
RCR				
0	1.19	1.19	1.19	1.19
1	1.09	1.04	1.00	0.97
2	1.00	0.92	0.86	0.80
3	0.91	0.81	0.73	0.67
4	0.84	0.73	0.64	0.58
5	0.77	0.65	0.56	0.50
6	0.71	0.58	0.49	0.43
7	0.65	0.52	0.43	0.38
8	0.61	0.47	0.39	0.33
9	0.56	0.43	0.35	0.29
10	0.52	0.39	0.31	0.26