

Fino[®] Healthcare

Asymmetric Wall Mount Indirect LED



Fino Healthcare

Features

Fino Healthcare fixture is ideal for applications requiring a wipe down lens with no horizontal "shelf" surfaces. Designed with an integrated acrylic lens to protect the light source, Fino Healthcare promotes a crisp, comfortable work environment. At only 5/8" deep, Fino runs seamlessly across the walls without the need to cut wall studs, leaving ceilings pristine clean – creating a beautiful visual impression. Fino wall mount is available for mud-in trimless gypsum board installations or exposed flanged for 5/8" gypsum board or millwork.

Product Overview

- Type: Asymmetric, Wall Mount, Indirect Healthcare, Wipe down lens
- Wattage: 6W/ft, 12W/ft (other wattages consult factory)
- Color Temp: 2700K, 3000K, 3500K, 4000K
- CRI: 83 typ. or 90+ typ
- Dimming: 0-10V, 1% dimming (standard)
Lutron LDE1 Hi-lume[®] 1% Soft-On/Fade-to-Black
DALI dimming, 1% dim

PROJECT:

TYPE:

Fixture Summary *(see following pages for more information)*

Performance Chart

Wattage Per Foot	Delivered Lumens	LPW	Color Temp
6	2662	120.7	3500K-83
12	5075	111.8	3500K-83

*Data is based on 3500K-83 IES files available on website
Data is based on 4' fixture*

Runs

Individual Runs: 1.5' - 8' *(to nearest 6")*
Continuous Runs: Available *(to nearest 6")*

Electrical Data

Wattage Per Foot		4'		8'	
		System Watts	Amps	System Watts	Amps
6	120V	22.1	0.18	44.2	0.37
	277V	22.1	0.08	44.2	0.16
12	120V	45.4	0.38	90.8	0.76
	277V	45.4	0.16	90.8	0.33

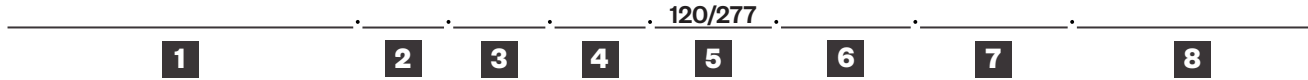
Electronic multi-volt (120-277VAC), constant current LED driver



PROJECT:

TYPE:

Ordering Information



- 1** Model
FINO-HC-A16[†] (gyp board, trimless mud-in)
FINO-HC-REMOTE-A16[†] (gyp board, trimless mud-in, remote driver)
FINO-HC-FLG-A16[†] (exposed flange)
FINO-HC-FLG-REMOTE-A16[†] (exposed flange, remote driver)

- 2** Wattage (per foot)
6
12
Consult factory for other wattage options

- 3** Color Temp
- | | |
|----------------------|------------------------|
| 83 CRI: | 90+ CRI*: |
| 27 - 2700K-83 | 279 - 2700K-90+ |
| 30 - 3000K-83 | 309 - 3000K-90+ |
| 35 - 3500K-83 | 359 - 3500K-90+ |
| 40 - 4000K-83 | 409 - 4000K-90+ |
- *Consult factory for lead times*

- 4** Finish
For Mud-in version:
HW - high reflectance matte white
- For Flange Version:
HW - high reflectance matte white
BT* - black texture for exposed flange only
ST* - silver texture for exposed flange only
 * Reflector is always painted HW (high reflectance white).

- 5** Voltage
120/277

- 6** Length
 ----- - specify length
 (for individual fixture, 1.5' to 8' in 6" increments)
 (for continuous run, specify to nearest 6")

- 7** Configuration
IND¹ - individual fixture, 1.5' to 8' in 6" increments
CON - continuous run > than 8', specify to nearest 6"

- 8** Drivers
0-10V - 1% electronic dimming, multi-volt (120-277VAC) constant current driver (standard).
Consult Factory for the following options:
HILUME-H-ECO - Lutron LDE1 Hi-lume[®] 1% Soft-On/ Fade-to-Black
DALI - DALI Dimming 120-277VAC, 1% dim

1 - Lengths less than 4' may have restrictions based upon wattage, lengths, drivers or other options.

[†] The "A" refers to the sequential revision in a year and "XX" refers to the year of update. Updates coincide with improved performance while not changing the overall fixture aesthetic and are reflected in the published performance data. Please contact your Amerlux representative for explanations of changes.

PROJECT:

TYPE:

Specifications

Application

Especially developed for healthcare facilities, wipe down lens and no horizontal surfaces allow for easy cleaning. Can be used for uplight or downlight applications

Construction

Two piece assembly:

- 1) Extruded aluminum mud-in or exposed flange no spackle frame and sheet metal die-formed gear tray.
- 2) Snap-in Reflector extruded aluminum optical assembly. Positive latching system for hairline seams.

Optical

Engineered optical system with internal asymmetric high reflectance white reflector and vertical wipe down cover lens.

LED

Amerlux's boards and patented connector design with brand name LEDs enables Amerlux fixtures to have excellent thermal management and offer a 5 year warranty. Our LED binning is within 3 MacAdam ellipse. Boards are configured for maximum flexibility resulting in even illumination no matter what the fixture layout. LED boards are easily replaced in the field with just a Phillips screw driver.

Color Temperature Options: 2700K, 3000K, 3500K, 4000K

CRI: 83 typical, 90+ (consult factory for lead times)

R9: 16 @ CRI 83

R9: >50 @ CRI 92

Life: 50,000+ hr., > 70% of initial lumens (L70)

Electrical

Wattage: 6W/ft, 12W/ft (consult factory for other wattages).

Wiring (see page 6 for wiring illustrations):

Integral Driver uses Standard Driver enclosure (on the back of fixture). It is adjusted for installation in between 16" o.c. or greater wall studs. 1 or 2 drivers per fixture required based upon Wattage and Length (see table 1 pg 4). Line voltage Power Feed (by others) must be brought to each Driver enclosure. Fixtures with multiple drivers are not connected internally.

REMOTE Driver (optional) requires a remote driver with enclosure. 1 or 2 drivers per fixture are required based upon Wattage and Length. **Note: (1) Driver per enclosure.**

Fixtures are provided with low voltage plenum rated 18/2 cable for field connection (by others) to Remote Driver. Remote Driver can be mounted anywhere within 25".

Short Runs: multiple short fixture lengths can be wired (daisy chained) to a single Remote Driver. Cumulative Fixture lengths must equal the MIN Length per Driver criteria and be dividable by 6". (see Table 2 page X). We suggest limiting number of short runs to 3 per remote driver.

Consult factory for additional remote driver requirements not shown

Emergency circuit via remote inverter or auxiliary emergency power supply (by others).

This product complies with IEEE C62.41 for surge endurance up to 2.5KV. Amerlux® recommends using additional surge protection with this unit (supplied by others), surge and over voltage damage is not covered under warranty.

Drivers

0-10V - 1% electronic dimming, multi-volt (120-277VAC) constant current driver (standard). Cap leads for non-dim applications.

Optional Drivers:

HILUME-H-ECO - Lutron LDE1 Hi-lume® 1% Soft-On/Fade-to-Black

DALI - DALI Dimming 120-277VAC, 1% dim

Note: Driver is accessible by removing snap-in reflector assembly.

Finish

Powder coat paint, baked on finish for maximum durability and color stability.

HW - High reflectance matte white.

BT - Black Texture (frame)

ST - Silver Texture (frame)

Please note: Reflector will be painted HW (high reflectance white, for predictable performance. Exposed flange frame may be painted BT or ST).

Configurations/Lengths

Straight lengths only.

IND - Individual fixtures are made of single standard lengths of 1.5' to 8' (in 6" increments). These are stand alone fixtures. Lengths less than 4' may have restrictions based upon wattage, lengths, drivers or other options.

CON - Continuous runs > than 8', specified to nearest 6" increments. Each Housing/mud-in frame has factory installed alignment pins. Mating frames are easily aligned and joined with "catch and latch" mechanisms. Wiring is made fast and positive with molded quick connectors.

Mounting

FINO-HC-A16 - Gypsum board mud-in only.

FINO-HC-REMOTE-A16 - Gypsum board mud-in with remote driver enclosure.

FINO-HC-FLG-A16 - Exposed flanged for gypsum board or millwork.

FINO-HC-FLG-REMOTE-A16 - Exposed flanged for gypsum board or millwork with remote driver enclosure.

Certifications

Approved to UL standards for damp locations as tested by CSA. Intended for indoor use only
IC rated

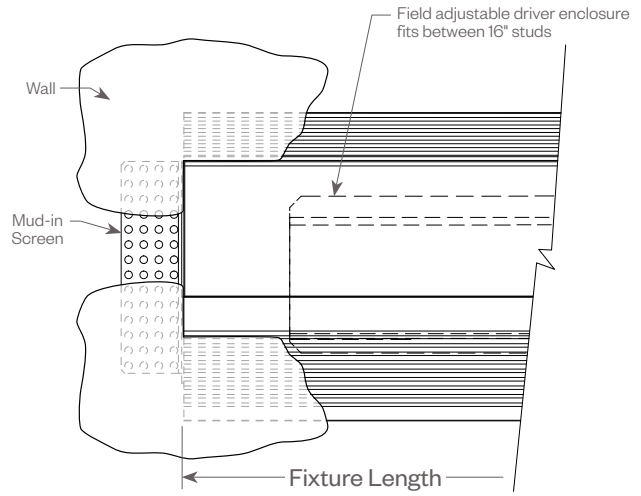
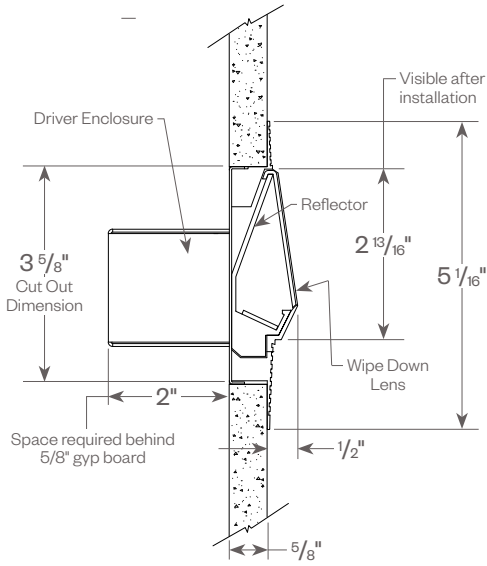
Warranty

Amerlux's 5 year limited warranty. Please consult Amerlux website for details.

PROJECT:

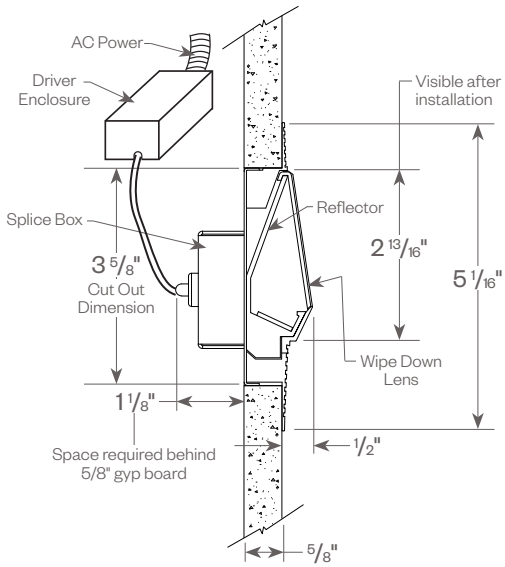
TYPE:

FINO-HC-A16 (FINO HEALTHCARE)

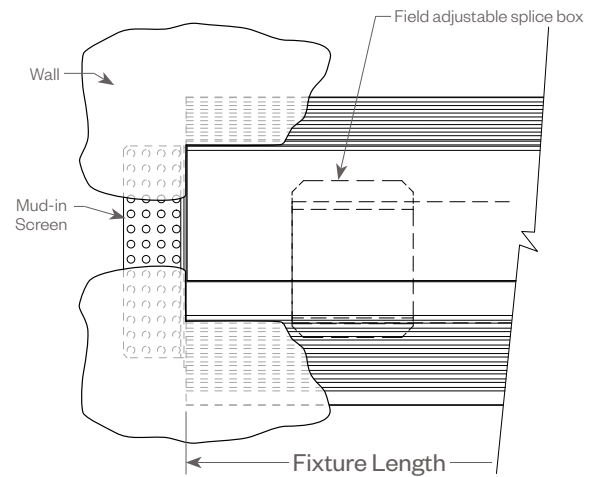


Cut Out Dimensions:
 IND: 3 5/8" x fixture length + 1/16"
 CON: 3 5/8" x fixture length + 1"

FINO-HC-REMOTE-A16 (FINO HEALTHCARE with REMOTE DRIVER)

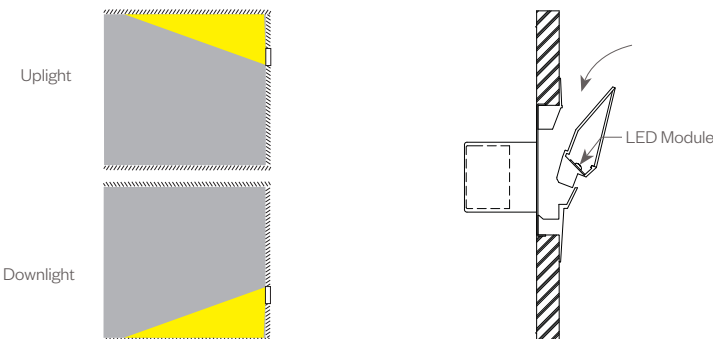


Note: Remote driver can be installed up to 25' max. from fixture.



Cut Out Dimensions:
 IND: 3 5/8" x fixture length + 1/16"
 CON: 3 5/8" x fixture length + 1"

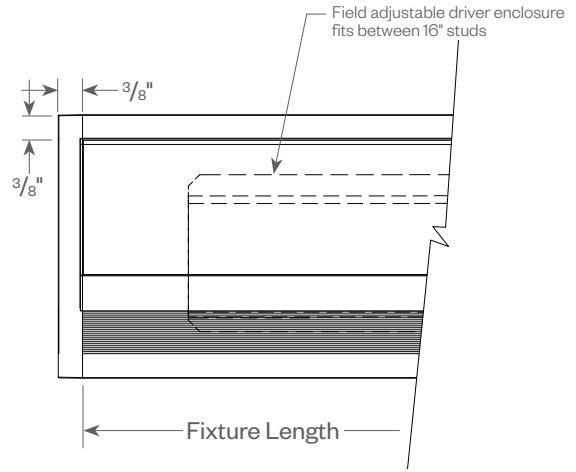
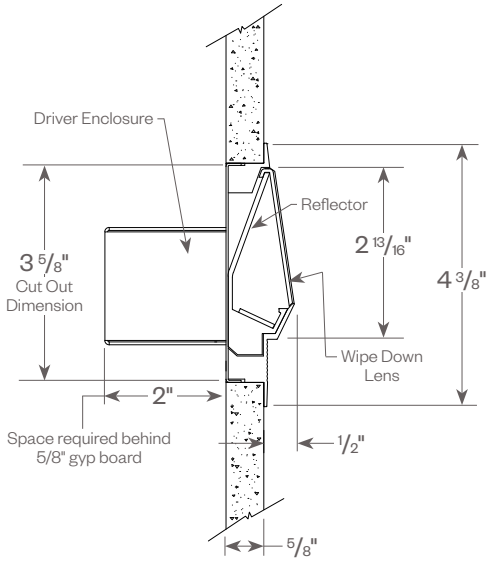
Mount in wall any orientation



PROJECT:

TYPE:

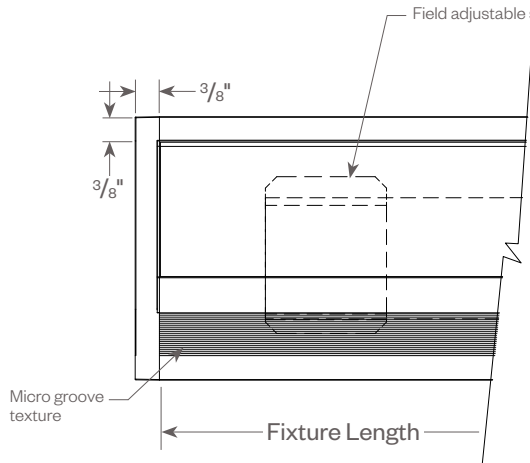
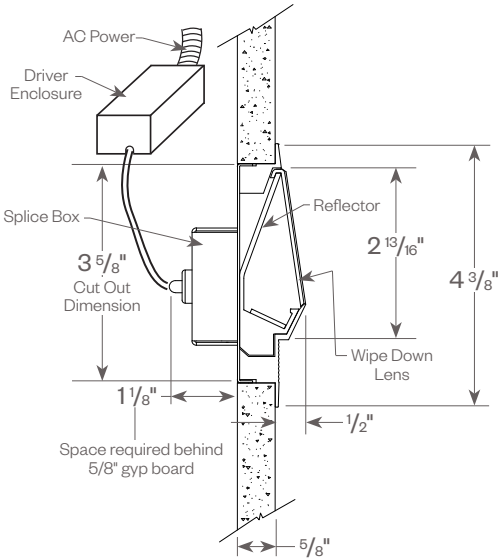
FINO-HC-FLG (FINO HEALTHCARE FLANGE)



Cut Out Dimensions:
 IND: 3 5/8" x fixture length + 3/16"
 CON: 3 5/8" x fixture length + 3/8"

FINO-HC-FLG-REMOTE (FINO HEALTHCARE FLANGE with REMOTE DRIVER)

Note: Remote driver can be installed up to 25' max. from fixture.



Cut Out Dimensions:
 IND: 3 5/8" x fixture length + 3/16"
 CON: 3 5/8" x fixture length + 3/8"

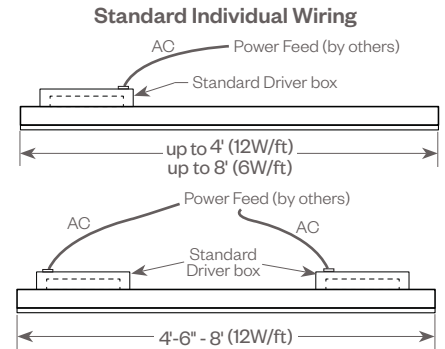
PROJECT:

TYPE:

Integral Driver (for every fixture section) located on the back of fixture is field adjusted for installation in between wall studs. 1 or 2 drivers per fixture required (see table 1). Line voltage Power Feed (by others) must be brought to each Driver enclosure.

Table 1

Driver	W/ft	Min. Length	Max. Driver	
			1	2
0-10V	6W	1'-6"	8'	x
	12W	1'-6"	4'	8'
Lutron	6W	2'-6"	8'	x
	12W	1'-6"	4'	8'
DALI	6W	1'-6"	8'	x
	12W	1'-6"	4'	8'

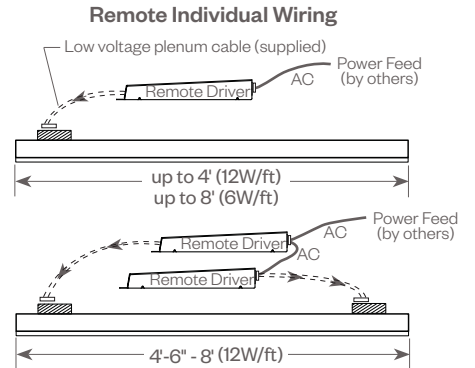


Remote Driver (for every fixture section, optional) requires an enclosure. 2 drivers per fixture may be required see Table 2. **Note: (1) Driver per enclosure.** Fixtures are provided with low voltage plenum rated 18/2 cable for field connection (by others). Remote driver max distances are listed on Table 2.

Table 2

Driver	W/ft	Min. Length	Max. Driver		Max. Remote
			1	2	Driver Distance
0-10V	6W	1'-6"	8'	x	25'
	12W	1'-6"	4'	8'	25'
Lutron	6W	2'-6"	8'	x	25'
	12W	1'-6"	4'	8'	25'
DALI	6W	1'-6"	8'	x	25'
	12W	1'-6"	4'	8'	25'

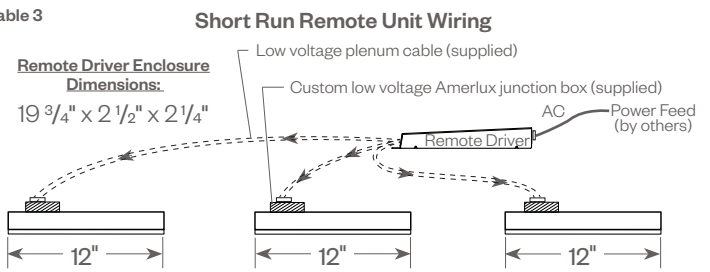
Remote Driver Enclosure Dimensions:
19 3/4" x 2 1/2" x 2 1/4"



Short Runs (on one remote driver): multiple short fixture lengths can be wired (daisy chained) to a single Remote Driver. Cumulative fixture lengths must equal the MIN length per Driver criteria and be divisible by 6". (see Table 3)

Table 3

Driver	W/ft	Min. Length	# of Drivers	6" Section	12" Section
0-10V	6W	1'-6"	1	3	0
	12W	1'-6"	1	1	1
Lutron	6W	2'-6"	1	1	2
		1'-6"	1	3	0
		1'-6"	1	1	1
DALI	6W	2'-6"	1	1	2
		1'-6"	1	3	0
		1'-6"	1	1	1



Note: Consult factory for additional remote driver requirements not show.

PROJECT:

TYPE:

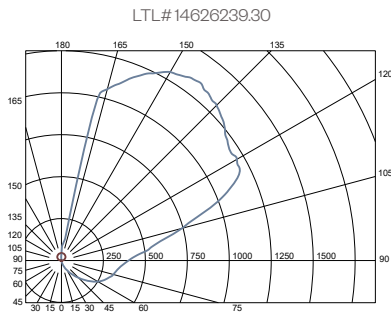
FIXTURE DATA:

MULTIPLYING FACTORS: (Multiplying Factor is based on 3000K-83 120V IES file on website)

CCT-CRI:	2700K-83	3000K-83	3500K-83	4000K-83	2700K-90+	3000K-90+	3500K-90+	4000K-90+
Factor:	0.91	0.96	1.0	1.01	0.80	0.84	0.88	0.89

FINO HEALTHCARE 6W 3500K-83 4FT

Total Watts: 22
 Total Lumens: 2662 (666 lm/ft)
 Source: 96 White LED's



ZONAL LUMEN SUMMARY

Zone	Lumens	%Fixt
0-40	24	0.9
0-60	108	4.1
0-90	412	15.5
90-180	2250	84.5

Efficacy = 120.7 lumens /Watt

COEFFICIENTS OF UTILIZATION - ZONAL CAVITY METHOD

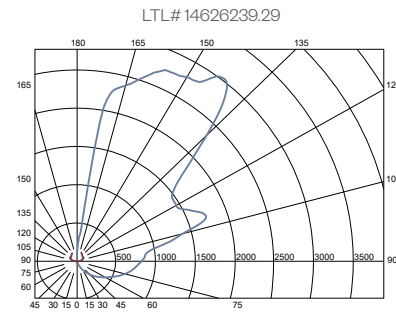
Effective Floor Cavity Reflectance 20%

RC	80			
RW	70	50	30	10
RCR				
0	99	99	99	99
1	88	83	78	74
2	79	71	64	59
3	71	62	54	48
4	65	54	46	40
5	59	48	39	33
6	54	42	34	28
7	50	38	30	24
8	46	34	26	21
9	43	31	23	18
10	40	28	21	16

Note: Values expressed as % of total lumen output delivered to the task surface.

FINO HEALTHCARE 12W 3500K-83 4FT

Total Watts: 45
 Total Lumens: 5075 (1269 lm/ft)
 Source: 96 White LED's



ZONAL LUMEN SUMMARY

Zone	Lumens	%Fixt
0-40	42	0.8
0-60	188	3.7
0-90	764	15.0
90-180	4311	85.0

Efficacy = 111.8 lumens /Watt

COEFFICIENTS OF UTILIZATION - ZONAL CAVITY METHOD

Effective Floor Cavity Reflectance 20%

RC	80			
RW	70	50	30	10
RCR				
0	99	99	99	99
1	88	82	78	74
2	79	71	64	58
3	71	61	54	48
4	65	54	46	40
5	59	47	39	33
6	54	42	34	28
7	50	38	30	24
8	46	34	26	21
9	43	31	23	18
10	40	28	21	16

Note: Values expressed as % of total lumen output delivered to the task surface.

PROJECT:

TYPE:

DIMMING COMPATIBILITY:

Amerlux[®] Fino fixtures are compatible with all major dimming protocols prevalent in the United States. Please see below for general compatibilities and wiring diagrams. Amerlux recommends testing your unique dimming configuration as the exact full configuration (Dimmer, Fixture Quantity, Voltage, etc) may affect dimming performance.

--- NOTE: INFORMATION BELOW IS FOR WIRED DIMMERS ONLY. FOR WIRELESS DIMMERS, CONSULT FACTORY ---

0-10V - DIMMING (Standard)

Integrates into a variety of building management and daylighting controls

Notes:

- 120V or 277V*
- Dims down to 1% light output
- Requires interface to turn off power to driver
- Consult Dimming manufacturer for installation instructions - DO NOT SHARE NEUTRALS!

Compatible Dimmers[†]:

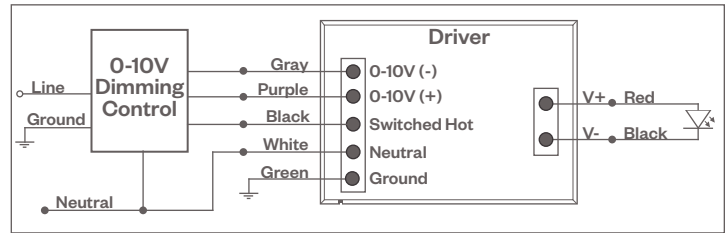
Wall Box

<u>Lutron:</u> Diva - DVSTV Maestro - MS-Z101 Nova-T - NTSTV-DV	<u>Wattstopper:</u> ADF-120277	<u>Leviton:</u> Renoir II
--	-----------------------------------	------------------------------

Center System

Lutron Grafik Eye with GRX-TV1 Interface

0-10V Wiring Diagram



LUTRON LDE1 DIMMING

Integrates into Lutron EcoSystem building management

Notes:

- 120VAC or 277VAC*
- Dims down to 1% Soft-On/Fade-to-Black
- EcoSystem Control
- Consult Dimming manufacturer for installation instructions - DO NOT SHARE NEUTRALS!

Compatible Dimmers[†]:

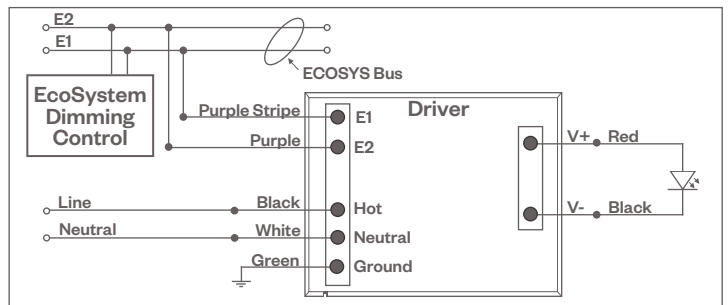
Lutron ECO System

Pow Pak Dimming Modules
Energi Savr Node
Grafik Eye QS/Homeworks
QS Control Unit
Quantum Hub
Homeworks QS/My Room

Central System

Lutron EcoSystem compatible controls

Lutron LDE1 (HILUME-H-ECO) EcoSystem Digital Control Wiring Diagram



DALI - DALI DIMMING 120V-277V

Digital control protocol allows individual fixture control

Notes:

- 120V - 277V*
- Dims down to 0.1% light output in most cases

Compatible Dimmers[†]:

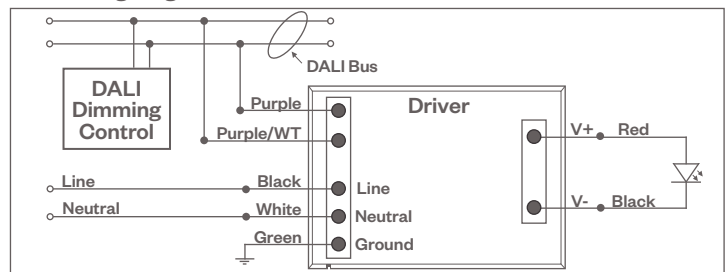
Wall Box

Leviton CD250 Controller

Center System

Dynalite
Fifth Light

DALI Wiring Diagram



Notes:

* Driver is 277V dimmable with appropriate dimmer (by others). All provided wiring diagrams show 120V wiring colors and method. Please refer to 277V dimmer installation instructions for 277V wiring diagrams.

† The absence of a dimmer from the lists above does not imply incompatibility. Please consult factory for compatibility inquiries.