

# FINO® CEILING

## CEILING MOUNT WALL WASH LED, INTERNATIONAL

I-FINO-CLG  
LED

### APPLICATIONS:

Commercial and hospitality ceiling mounted wall wash lighting

### CONSTRUCTION:

2 pc construction: 16 mm deep extruded aluminum mud-in frame with gear and snap-in extruded aluminum optical assembly  
 Fixture lengths available in 152 mm increments (minimum 305 mm)  
 Extruded latching system for hairline seams  
 Field replaceable LED board

### OPTICS:

6w/ft or 12w/ft LED boards  
 Color Temp: 2700K, 3000K, 3500K, 4000K  
 CRI: 80 typ  
 Life: 50,000 hrs  
 Lumen Maintenance: >70% of initial lumens @ 50,000 hrs  
 Lumen Output (3500K): 347 lm/ft (6w), 632 lm/ft (12w)  
 Engineered optical performance lens with internal asymmetric high reflectance white reflector (standard)

### ELECTRICAL:

Electronic constant current LED driver  
 • 914 mm & longer - uses integral or remote driver  
 • 305 mm - 762 mm - uses remote driver only  
 240v input  
 0-10v dimming to 1%, standard  
**This product complies with IEEE C62.41 for surge endurance up to 2.5KV. Amerlux® recommends using additional surge protection with this unit (supplied by others), surge damage is not covered by warranty.**

### MOUNTING:

For use in sheet rock ceilings  
 Fixture placement:  
 MIN: 457 mm from wall  
 IDEAL: 610 mm from wall  
 MAX: 914 mm from wall  
 Extruded latching system for hairline seams

### LABELING:

**CE**  
 For indoor use only  
 Damp location

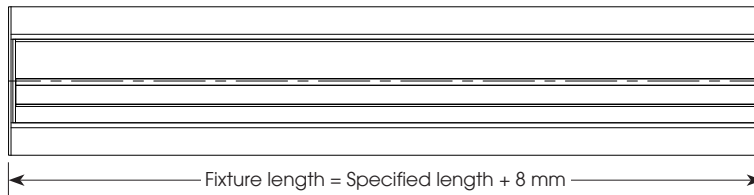


PROJECT:

TYPE:



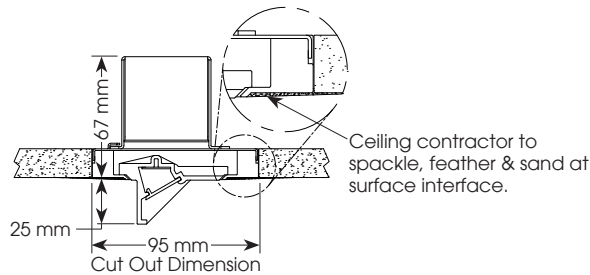
Electrostatic sensitive device,  
observe precautions for  
handling



### ELECTRICAL

Electronic driver

Wattage per foot	240v	4'		8'	
		System watts	Amps	System watts	Amps
6	240v	22.1	0.09	44.1	0.18
12	240v	45.3	0.19	90.6	0.38



### ORDERING INFORMATION:

Model	Wattage Per Foot	Lamp Type	Color Temp	Finish	Voltage	Length	Configuration	Listing Code
I-FINO-CLG	6 12	LED	2700 3000 3500 4000	HW - high reflectance white	240	1' - 305 mm 2' - 607 mm 3' - 914 mm 4' - 1219 mm 5' - 1524 mm 6' - 1829 mm 7' - 2134 mm 8' - 2438 mm ___ - specify run length (min. 152 mm (6") increments)	IND - individual CON - continuous runs in excess of 2438 mm	CE

\*Note - For 12w fixtures - Due to driver limitations, not all output & length configurations are possible. Please consult factory.

Example: I-FINO-CLG-6-LED-3500-HW-240-4-IND-CE

Cat #:

**3** year limited  
warranty  
AMERLUX INTERNATIONAL  
(see website for details)

Amerlux reserves the right to change details that do not affect overall function and performance.



# FINO® CEILING

CEILING MOUNT WALL WASH LED, INTERNATIONAL

I-FINO-CLG  
LED



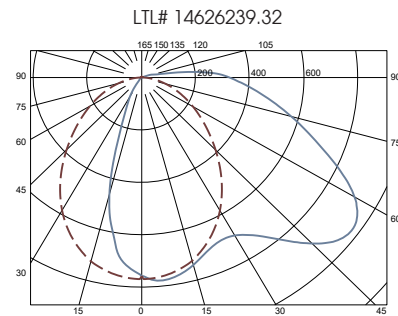
TYPE:



**FIXTURE DATA:** For 6w data, multiply by 0.52

FINO CEILING 6W 3500K 4FT  
Total Watts: 22; Total Lumens: 2077 (519 Lm/ft)  
Source: 112 White led's

FINO CEILING 12W 3500K 4FT  
Total Watts: 45; Total Lumens: 3943 (986 Lm/ft)  
Source: 112 White led's



**ZONAL LUMEN SUMMARY**

Zone	Lumens	%Fixt
0-40	752	36.2
0-60	1342	64.6
0-90	1988	95.7
90-180	89	4.3

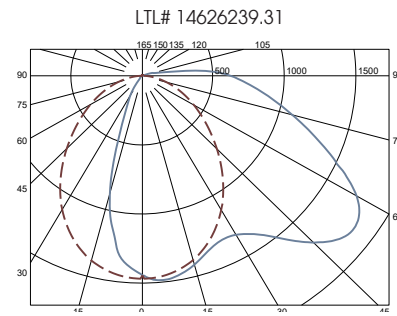
Efficacy = 94.1 lumens/Watt

**COEFFICIENTS OF UTILIZATION**

Effective Floor Cavity Reflectance 20%

RC	80			
	70	50	30	10
RW				
RCR				
0	118	118	118	118
1	105	99	94	89
2	94	85	77	70
3	86	74	65	57
4	78	65	56	48
5	72	58	48	41
6	66	52	43	36
7	61	47	38	32
8	57	43	34	28
9	54	40	31	26
10	50	37	29	23

Note: Values expressed as percent of total lumen output delivered to the task surface.



**ZONAL LUMEN SUMMARY**

Zone	Lumens	%Fixt
0-40	1431	36.3
0-60	2553	64.8
0-90	3782	95.9
90-180	161	4.1

Efficacy = 87.1 lumens/Watt

**COEFFICIENTS OF UTILIZATION**

Effective Floor Cavity Reflectance 20%

RC	80			
	70	50	30	10
RW				
RCR				
0	118	118	118	118
1	105	99	94	89
2	94	85	77	70
3	86	74	65	57
4	78	65	56	48
5	72	58	48	41
6	66	52	43	36
7	62	47	38	32
8	57	43	34	28
9	54	40	31	26
10	50	37	29	23

Note: Values expressed as percent of total lumen output delivered to the task surface.