

FINO®

ASYMMETRIC WALL MOUNT INDIRECT LED INTERNATIONAL

APPLICATIONS:

Commercial and hospitality wall mounted indirect lighting for washing ceiling or floor

CONSTRUCTION:

2 pc construction: 5/8" (15.88mm) deep extruded aluminum mud-in frame with gear and snap-in extruded aluminum optical assembly
 Fixture lengths available in 6" (152.40mm) increments (minimum 1' (304.80mm))
 Extruded latching system for hairline seams
 Field replaceable LED board

MOUNTING:

For use in sheet rock walls
 Extruded latching system for hairline seams

LABELING:

CE
 For indoor use only

OPTICS:

6w/ft or 12w/ft LED boards
 Color Temp: 2700K, 3000K, 3500K, 4000K
 CRI: 80 typ
 Life: 50,000 hrs
 Lumen Maintenance: >70% of initial lumens @ 50,000 hrs
 Lumen Output (3500K): 533 lm/ft (6w), 1013 lm/ft (12w)
 Engineered optical performance lens with internal asymmetric high reflectance white reflector (standard)
 Optional Amerlux® exclusive designer lens for softer beam edges

ELECTRICAL:

Electronic constant current LED driver, 36" (914.40mm) min., 8'-0" (2438.4mm) max. per driver. Must daisy chain min. 36" of fixture for short runs (driver on 1st fixture, daisy chain to others).
 240v input
This product complies with IEEE C62.41 for surge endurance up to 2.5KV. Amerlux recommends using additional surge protection with this unit (supplied by others), surge damage is not covered by warranty.

I-FINO LED



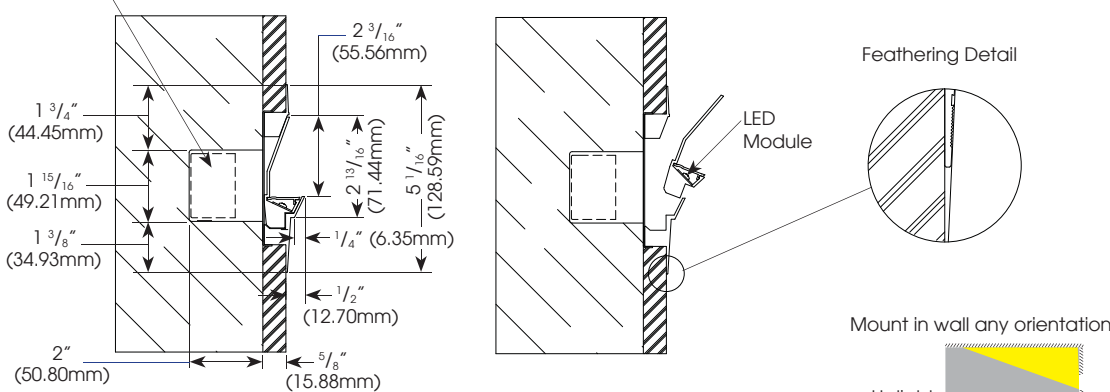
PROJECT:

TYPE:



Electrostatic sensitive device, observe precautions for handling

Driver Compartment, fits between studs, sliding lateral adjustment (14 3/8" (365.13mm) long)



Cut Out Dimension:

4' fixture = 3 5/8" x 4' (92.08mm x 1219.2mm)
 Continuous runs = 3 5/8" x fixture length + 1" (92.08mm x fixture length + 25.40mm)

ELECTRICAL

| Driver | Wattage per foot | Input 240v | 4' | | 8' | |
|------------|------------------|------------|-------------|------|-------------|------|
| | | | Input watts | Amps | Input watts | Amps |
| Electronic | 6 | 240v | 24 | 0.10 | 48 | 0.20 |
| | 12 | | 48 | 0.20 | 96 | 0.40 |

ORDERING INFORMATION:

| Model | Wattage Per Foot | Lamp Type | Color Temp | Finish | Voltage | Length | Configuration | Listing Code | Options/Accessories |
|--------|------------------|-----------|------------------------------|-----------------------------|---------|--|---|--------------|--|
| I-FINO | 6 12 | LED | 2700 3000 3500 4000 | HW - high reflectance white | 240 | 1' 2' 3' 4' 5' 6' 7' 8' | IND - individual CON - continuous runs in excess of 8' | CE | DL - Amerlux designer lens DALI - DALI driver (additional lead time may apply) LUTRON-ECO5 - Lutron EcoSystem 5 Series, 5% dim |

— - specify run length (min. 6" increments)

Example: I-FINO-6-LED-3000-HW-240-4-IND-CE

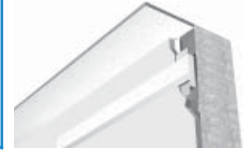
Cat #:

Amerlux® reserves the right to change details that do not affect overall function and performance.





TYPE:

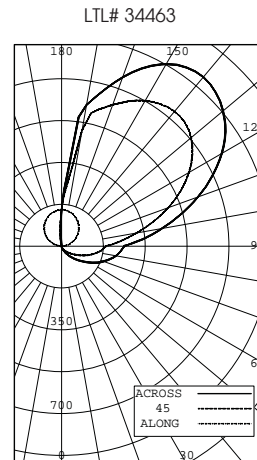
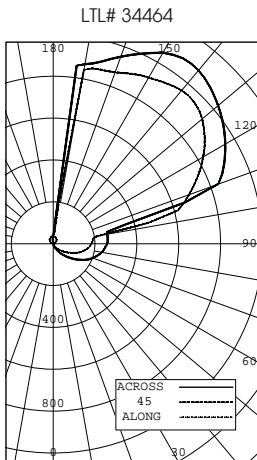


FIXTURE DATA: For 12w data, multiply by 1.9

Complete photometric data (.ies format) available upon request.

FINO 6W/FT LED 4' IND
SOURCE: 120 WHITE LEDS LUMENS/FT: 533 (3500K)
RECESSED

FINO 6W/FT LED 4' IND WITH DESIGNER LENS
SOURCE: 120 WHITE LEDS LUMENS/FT: 442 (3500K)
RECESSED



ZONAL LUMEN SUMMARY

| Zone | Lumens | %Lamp | %Fixt |
|--------|--------|-------|-------|
| 0-30 | 2 | N/A | 0.11 |
| 0-40 | 9 | N/A | 0.44 |
| 0-60 | 56 | N/A | 2.63 |
| 0-90 | 255 | N/A | 11.97 |
| 40-90 | 246 | N/A | 11.52 |
| 60-90 | 199 | N/A | 9.34 |
| 90-180 | 1877 | N/A | 88.03 |
| 0-180 | 2132 | N/A | 100.0 |

Total Luminaire Efficacy = 82.6 lumens/watt

COEFFICIENTS OF UTILIZATION

Effective Floor Cavity Reflectance 20%

| RC | 80 | | | |
|-----|------|------|------|------|
| RW | 70 | 50 | 30 | 10 |
| RCR | | | | |
| 0 | 0.98 | 0.98 | 0.98 | 0.98 |
| 1 | 0.87 | 0.83 | 0.78 | 0.74 |
| 2 | 0.79 | 0.71 | 0.64 | 0.59 |
| 3 | 0.71 | 0.62 | 0.54 | 0.48 |
| 4 | 0.65 | 0.54 | 0.46 | 0.40 |
| 5 | 0.59 | 0.47 | 0.40 | 0.34 |
| 6 | 0.54 | 0.42 | 0.34 | 0.29 |
| 7 | 0.50 | 0.38 | 0.30 | 0.24 |
| 8 | 0.46 | 0.34 | 0.26 | 0.21 |
| 9 | 0.42 | 0.31 | 0.23 | 0.18 |
| 10 | 0.39 | 0.28 | 0.21 | 0.16 |

ZONAL LUMEN SUMMARY

| Zone | Lumens | %Lamp | %Fixt |
|--------|--------|-------|-------|
| 0-30 | 2 | N/A | 0.12 |
| 0-40 | 8 | N/A | 0.47 |
| 0-60 | 49 | N/A | 2.76 |
| 0-90 | 237 | N/A | 13.42 |
| 40-90 | 229 | N/A | 12.95 |
| 60-90 | 189 | N/A | 10.66 |
| 90-180 | 1532 | N/A | 86.58 |
| 0-180 | 1769 | N/A | 100.0 |

Total Luminaire Efficacy = 68.6 lumens/watt

COEFFICIENTS OF UTILIZATION

Effective Floor Cavity Reflectance 20%

| RC | 80 | | | |
|-----|------|------|------|------|
| RW | 70 | 50 | 30 | 10 |
| RCR | | | | |
| 0 | 0.98 | 0.98 | 0.98 | 0.98 |
| 1 | 0.87 | 0.82 | 0.78 | 0.74 |
| 2 | 0.79 | 0.70 | 0.64 | 0.58 |
| 3 | 0.71 | 0.61 | 0.54 | 0.48 |
| 4 | 0.65 | 0.54 | 0.46 | 0.40 |
| 5 | 0.59 | 0.47 | 0.39 | 0.33 |
| 6 | 0.54 | 0.42 | 0.34 | 0.28 |
| 7 | 0.50 | 0.37 | 0.30 | 0.24 |
| 8 | 0.46 | 0.34 | 0.26 | 0.21 |
| 9 | 0.42 | 0.30 | 0.23 | 0.18 |
| 10 | 0.39 | 0.28 | 0.21 | 0.16 |