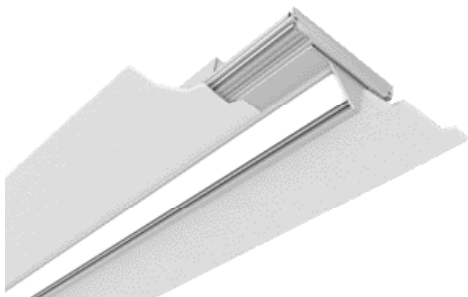


Fino®

Ceiling Mount Wall Wash LED



Features

Our ceiling-mounted Fino has won recognition for discreet light directed from above. It leaves a clean ceiling and installs easily into typical existing structure. Ideal for high wall washing over counter areas and reception desks.

Product Overview

Type:	Ceiling Mount, High Angle Wall Wash
Wattage:	6W/ft, 12W/ft (other wattages consult factory)
Lumen Output:	2,528 max; 51.2 Lm/W (12W, 4ft fixture)
Color Temp:	2700K, 3000K, 3500K, 4000K
CRI:	83 typ. or 90+ typ
Dimming:	0-10V, 1% dimming (standard) Lutron Hi-lume® 2 wire, (120V only) Lutron Hi-lume® EcoSystem, 1% dim, fade to off DALI dimming, 1% dim

PROJECT:

TYPE:

Fixture Summary *(see following pages for more information)*

Ceiling Types

4" Tech Zone	6" Tech Zone	9/16"	15/16"	Gyp Board
Yes	No	Yes	Yes	Yes

Performance Chart

Wattage Per Foot	Delivered Lumens	LPW	Color Temp
6	1388	59.1	3500K-83
12	2528	51.2	3500K-83

*Data is based on 3500K-83 IES files available on website
Data is based on 4' fixture*

Runs

Individual Runs: 2' - 8' *(to nearest 6")*

Continuous Runs: Available *(to nearest 6")*

Electrical Data

Wattage Per Foot		4'		8'	
		System Watts	Amps	System Watts	Amps
6	120V	23.8	0.20	47	0.39
	277V	25.6	0.09	47.5	0.17
12	120V	50	0.41	100	0.82
	277V	50.3	0.18	100.6	0.36

Electronic multi-volt (120-277VAC), constant current LED driver



Fino[®] Ceiling

Ceiling Mount Wall Wash



PROJECT:

TYPE:

Ordering Information



- 1** Model
FINO-CLG-GB-A16[†]
FINO-CLG-GB-REMOTE-A16[†]
FINO-CLG-GRID-A16[†]
FINO-CLG-GRID-REMOTE-A16[†]

- 2** Wattage (per foot)
6
12
Consult factory for other wattage options

- 3** Color Temp

83 CRI:	90+ CRI*:
27 - 2700K-83	279 - 2700K-90+
30 - 3000K-83	309 - 3000K-90+
35 - 3500K-83	359 - 3500K-90+
40 - 4000K-83	409 - 4000K-90+

**Consult factory for lead times*

- 4** Finish
HW - high reflectance matte white

- 5** Voltage
120/277

- 6** Length
----- - specify length
(for individual fixture, 18" to 8' in 6" increments)
(for continuous run, specify to nearest 6")

- 7** Configuration
IND¹ - individual fixture, 18" to 8' in 6" increments
CON - continuous run > than 8', specify to nearest 6"

- 8** Drivers
0-10V - 0-10v, 1% dimming (standard)
Consult Factory for the following options:
HILUME-A-LTE - Lutron "A" Series, 1% dim, 2-wire, 120V only
HILUME-H-ECO - Lutron "H" Series, 1% dim, fade to off, EcoSystem
DALI - DALI Dimming 120-277VAC, 1% dim

1 - Lengths less than 4' may have restrictions based upon wattage, lengths, drivers or other options.

[†] The "A" refers to the sequential revision in a year and "XX" refers to the year of update. Updates coincide with improved performance while not changing the overall fixture aesthetic and are reflected in the published performance data. Please contact your Amerlux representative for explanations of changes.

Fino[®] Ceiling

Ceiling Mount Wall Wash



PROJECT:

TYPE:

Specifications

Application

Effective high angle wall wash, Fino Ceiling is an innovative lighting tool that allows the subtle lighting of vertical surfaces without drawing attention to the fixture.

Construction

Two piece assembly:

- 1) Extruded aluminum mud-in frame and sheet metal die-formed gear tray.
- 2) Snap-in Reflector extruded aluminum optical assembly.

Positive latching system for hairline seams.

Optical

High performance high angle wall wash optical system.

LED

Amerlux's boards and patented connector design with brand name LEDs enables Amerlux fixtures to have excellent thermal management and offer a 5 year warranty. Our LED binning is within 3 MacAdam ellipse. Boards are configured for maximum flexibility resulting in even illumination no matter the fixture layout. LED boards are easily replaced in the field with just a Phillips screw driver.

Color Temperature Options: 2700K, 3000K, 3500K, 4000K

CRI: 83 typical, 90+ (consult factory for lead times)

R9: 16 @ CRI 83

R9: >50 @ CRI 92

Life: 50,000+ hr., > 70% of initial lumens (L70)

Electrical

Wattage: 6W/ft, 12W/ft (consult factory for other wattages).

Electronic constant current LED driver:

6 watts - 18" min fixture length, 96" maximum length.

12 watts - 18" min, 48" maximum length

Integral Driver: Gypsum Board

Drivers prewired in an Adjustable Enclosure that can be field adjusted to be mounted in-between ceiling studs or other support structure. Adjustable Enclosures are not connected internally to fixture. Live voltage must be brought to from a J-Box or from an adjacent powered Adjustable Enclosure. Prewired low voltage leads in the Adjustable Enclosure are field connected to LED board leads within fixture housing.

Integral Driver: Grid

Grid ceiling fixtures have a continuous wireway and can be wired through quick access plate on top of fixture housing.

Remote Driver: Gypsum Board or Grid

Drivers are housed in a Remote Enclosure. Fixtures are provided with low voltage plenum rated 18/2 cable for field connection (by others) to Remote Driver. Remote Driver can be mounted anywhere within 25' of fixture.

Short Runs: Gypsum Board or Grid

Remote drivers are required. One driver can power multiple short fixtures in multiples of 6" , cumulative minimum lengths are required, see Table 3. Short Runs can be installed in either ceiling type. Each driver must be independently powered with line voltage from J-Box or from an adjacent powered Remote Enclosure.

See page 5 for wiring diagram.

Emergency circuit via remote inverter or auxiliary emergency power supply (by others).

This product complies with IEEE C62.41 for surge endurance up to 2.5KV. Amerlux[®] recommends using additional surge protection with this unit (supplied by others), surge and over voltage damage is not covered under warranty.

Drivers

0-10V - 1% electronic dimming , multi-volt (120-277VAC) constant current driver (standard). Cap leads for non-dim applications.

Optional Drivers:

HILUME-A-LTE - Lutron "A" Series, 1% dim, 2-wire, 120V only

HILUME-H-ECO - Lutron "H" Series, 1% dim, fade to off, EcoSystem

DALI - DALI Dimming 120-277VAC, 1% dim

Note: Driver is accessible by removing snap-in reflector assembly.

Finish

HW - High reflectance, matte white powder coat paint. Baked on finish for maximum durability and color stability.

Configurations/Lengths

Straight lengths only.

IND - Individual fixtures are made of single standard lengths of 18" to 8' (in 6" increments). These are stand alone fixtures. Lengths less than 4' may have restrictions based upon wattage, lengths, drivers or other options.

CON - Continuous runs > than 8', specified to nearest 6" increments. Each Housing/mud-in frame has factory installed alignment pins. Mating frames are easily aligned and joined with "catch and latch" mechanisms. Wiring is made fast and positive with molded quick connectors.

Mounting

FINO-CLG-GB-A16 - Intended for gypsum board ceiling - "mud in" finish required.

FINO-CLG-GB-REMOTE-A16 - intended for gypsum board remote driver, "mud-in" finish required

FINO-CLG-GRID-A16 - Intended for 9/16" slot grid or flat tee, or 15/16" flat tee ceiling grids. 4" Tech Zone compatible.

FINO-CLG-GRID-REMOTE-A16 - Intended for 9/16" slot grid or flat tee, or 15/16" flat tee ceiling grids. 4" Tech Zone compatible.

Recommended Fixture Placement:

Min: 18" from wall

Ideal: 24" from wall

Max: 36" from wall

Certifications

Approved to UL standards for damp locations as tested by CSA.

Intended for indoor use only

IC rated

Warranty

Amerlux's 5 year limited warranty. Please consult Amerlux website for details.

Fino[®] Ceiling

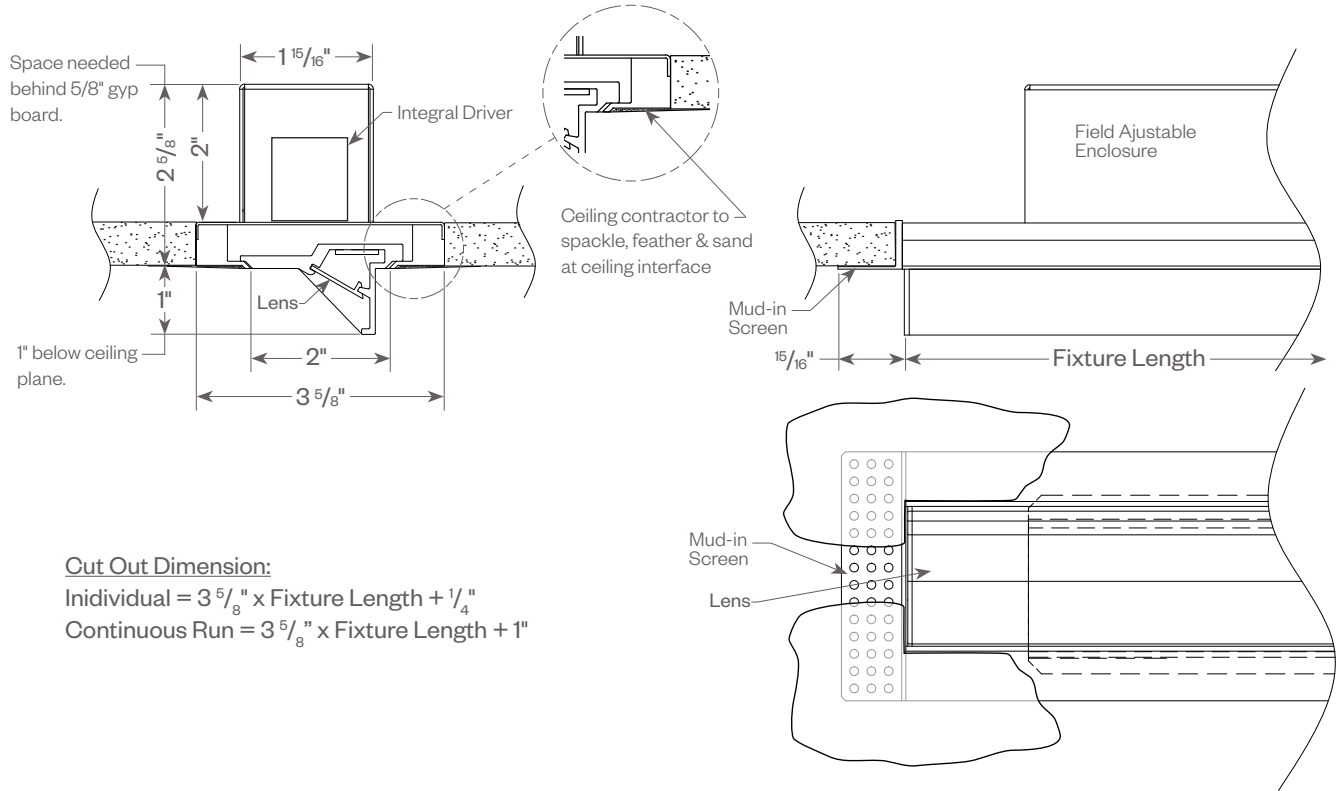
Ceiling Mount Wall Wash



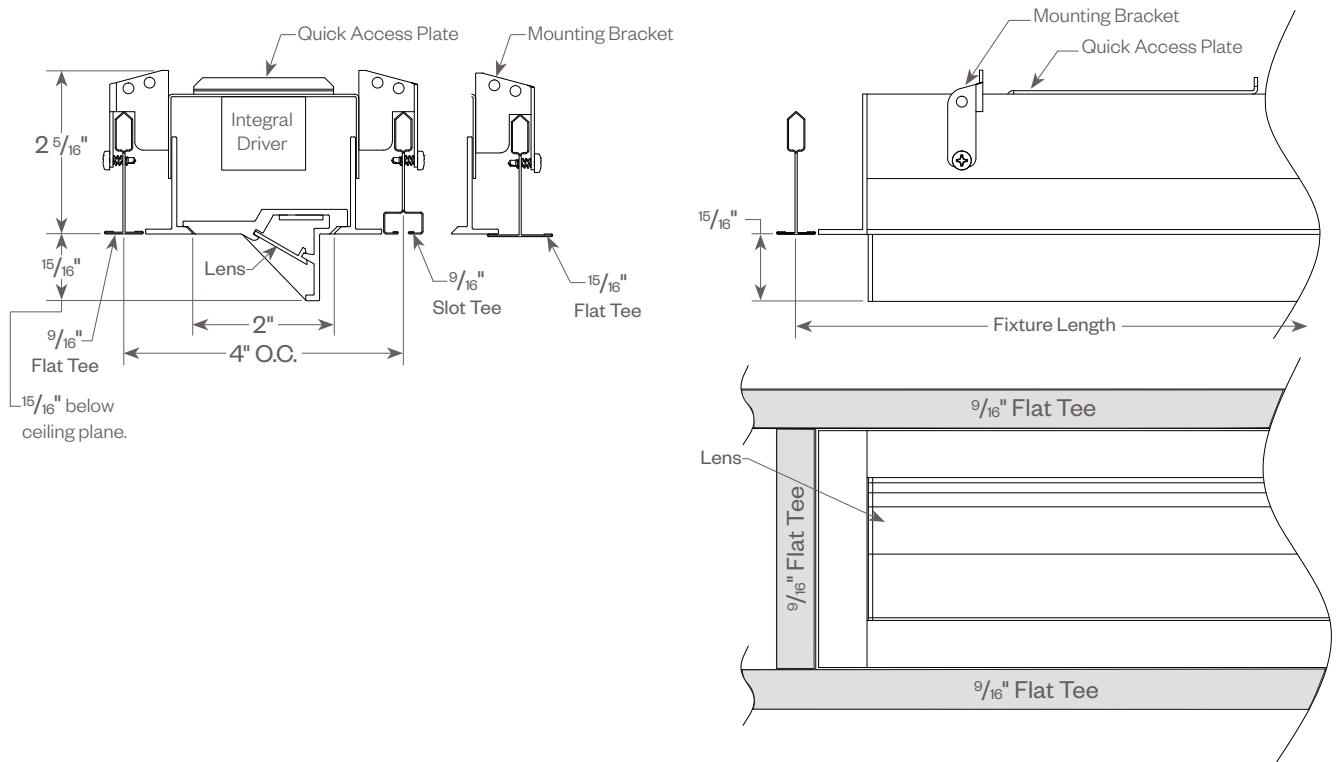
PROJECT:

TYPE:

FINO-CLG-GB-A16



FINO-CLG-GRID-A16



Fino[®] Ceiling

Ceiling Mount Wall Wash

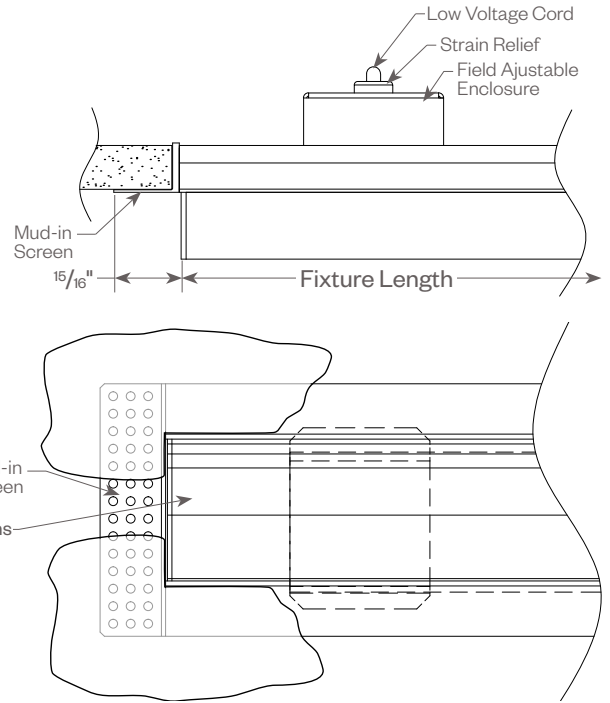
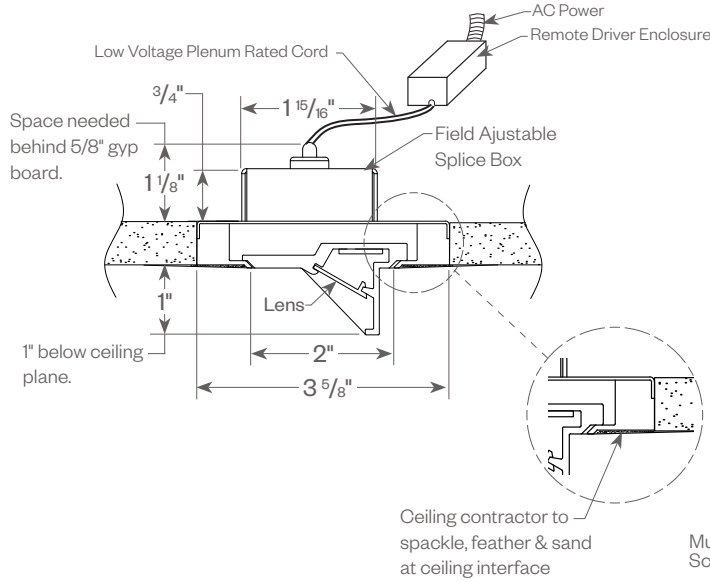


PROJECT:

TYPE:

FINO-CLG-GB-REMOTE-A16

Note: Remote driver can be installed up to 25' max. from fixture.



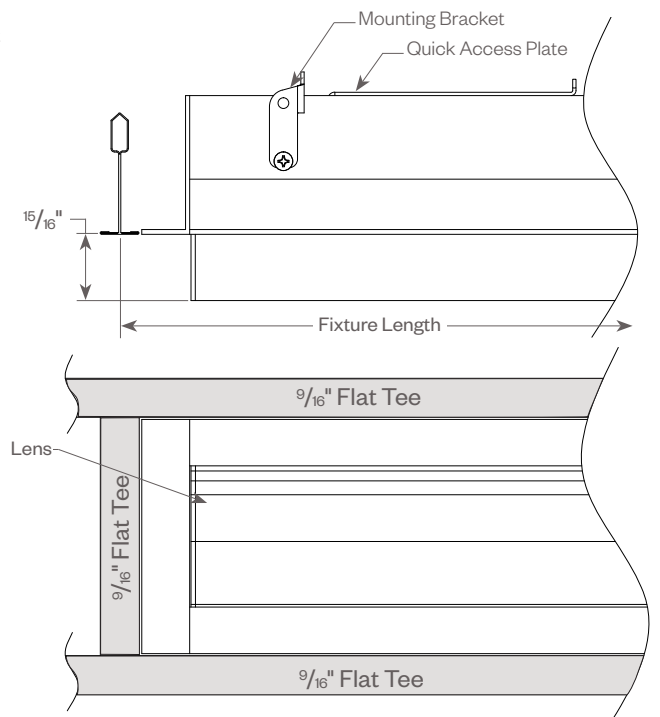
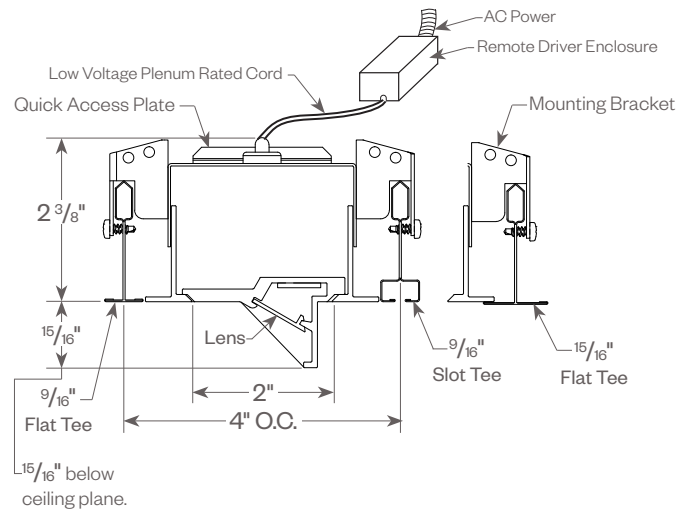
Cut Out Dimension:

Individual = $3 \frac{5}{8} \times \text{Fixture Length} + \frac{1}{4}$

Continuous Run = $3 \frac{5}{8} \times \text{Fixture Length} + 1$

FINO-CLG-GRID-REMOTE-A16

Note: Remote driver can be installed up to 25' max. from fixture.



PROJECT:

TYPE:

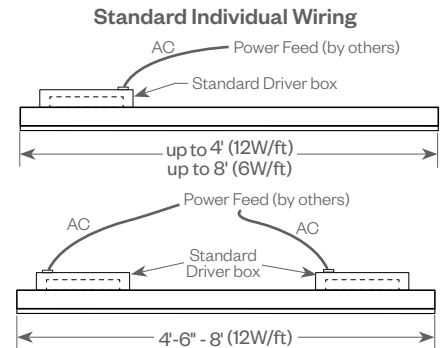
DRIVER WIRING OPTIONS:

INTEGRAL DRIVER: GYPSUM BOARD

Driver required for every fixture section. Adjustable Driver Enclosure is located on back of fixture housing. It is field adjustable to fit in between ceiling studs or other structure. Line Voltage Power Feed (by others) must be brought to each Driver Enclosure. 1 or 2 drivers per fixture required (see Table 1).

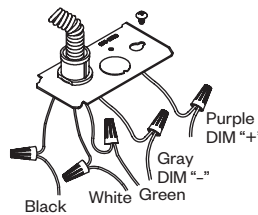
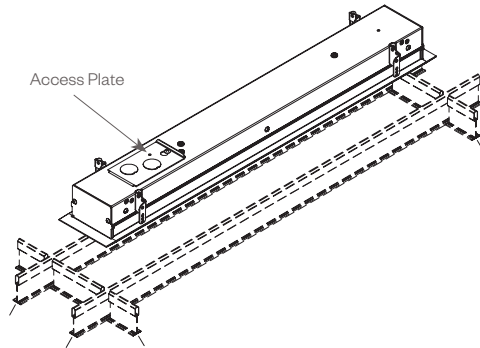
Table 1

Driver	W/ft	Min. Length	Max. Driver	
			1	2
0-10V	6W	1'-6"	8'	x
	12W	1'-6"	4'	8'
Lutron	6W	2'-6"	8'	x
	12W	1'-6"	4'	8'
DALI	6W	1'-6"	8'	x
	12W	1'-6"	4'	8'



INTEGRAL DRIVER: GRID

Grid ceiling fixtures have a continuous wireway and can be wired through quick access plate on top of fixture housing.



Note: Additional connections (not shown) as required for dimming, EM, or other wiring requirements. Cap all unused leads. (wire nuts supplied by others)

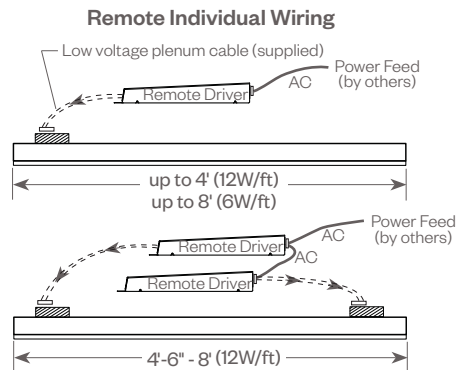
Remote Driver: Gypsum Board or Grid

Every fixture section requires an enclosure. 2 Drivers per may be required. Note; only 1 driver per Enclosure. Fixtures are provided with low voltage, plenum rates 18/2 cable for field connection (by others). For maximum remoted driver distances see Table 2.

Table 2

Driver	W/ft	Min. Length	Max. Driver		Max. Remote Driver Distance
			1	2	
0-10V	6W	1'-6"	8'	x	25'
	12W	1'-6"	4'	8'	25'
Lutron	6W	2'-6"	8'	x	25'
	12W	1'-6"	4'	8'	25'
DALI	6W	1'-6"	8'	x	25'
	12W	1'-6"	4'	8'	25'

Remote Driver Enclosure Dimensions:
19 3/4" x 2 1/2" x 2 1/4"

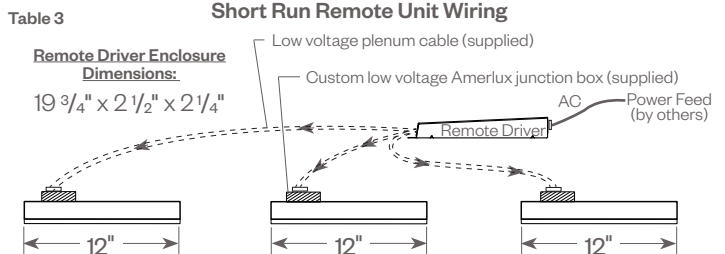


Short Runs: Gypsum Board or Grid (remote driver enclosures required)

In either gypsum board or grid ceiling installation, multiple short fixture lengths can be wired (daisy chained) from one remote driver. Cumulative fixture lengths must equal Min. Length per driver criteria and be divisible by 6" (see Table 3).

Table 3

Driver	W/ft	Min. Length	# of Drivers	6" Section	12" Section
0-10V	6W	1'-6"	1	3	0
	12W	1'-6"	1	1	1
Lutron	6W	2'-6"	1	1	2
	12W	1'-6"	1	3	0
DALI	6W	1'-6"	1	1	1
		1'-6"	1	3	0
		1'-6"	1	1	1



Note: Consult factory for additional remote driver requirements not show.

Fino[®] Ceiling

Ceiling Mount Wall Wash



PROJECT:

TYPE:

FIXTURE DATA: (Complete photometric data (.ies format) available upon request)

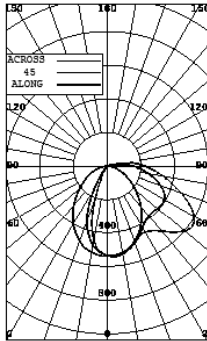
MULTIPLYING FACTORS: (Multiplying Factor is based on 3500K-83 120V IES file on website)

CCT-CRI:	2700K-83	3000K-83	3500K-83	4000K-83	2700K-90+	3000K-90+	3500K-90+	4000K-90+
Factor:	0.91	0.96	1.0	1.01	0.80	0.84	0.88	0.89

FINO CEILING 6W 3500K 4FT

Total Watts: 24
Total Lumens: 1,388 (347 Lm/ft)
Source: 112 White LED's

LTL# 627967



ZONAL LUMEN SUMMARY

Zone	Lumens	%Fixt
0-30	347	24.98
0-40	521	37.52
0-60	901	64.92
0-90	1323	95.28
40-90	802	57.76
60-90	421	30.36
90-180	66	4.72
0-180	1388	100.0

Efficacy = 59.1 Lumens /Watt

COEFFICIENTS OF UTILIZATION

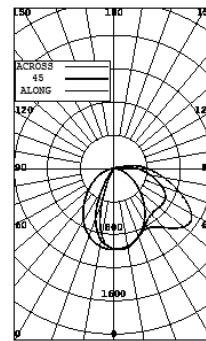
Effective Floor Cavity Reflectance 20%

RC	80			
RW	70	50	30	10
ROR				
0	1.18	1.18	1.18	1.18
1	1.06	1.00	0.95	0.91
2	0.96	0.87	0.80	0.73
3	0.87	0.76	0.68	0.61
4	0.80	0.68	0.59	0.52
5	0.74	0.61	0.52	0.45
6	0.68	0.55	0.46	0.39
7	0.63	0.49	0.41	0.35
8	0.59	0.45	0.37	0.31
9	0.55	0.41	0.33	0.27
10	0.51	0.38	0.30	0.25

FINO CEILING 12W 3500K 4FT

Total Watts: 50
Total Lumens: 2,528 (632 Lm/ft)
Source: 112 White LED's

LTL# 629434



ZONAL LUMEN SUMMARY

Zone	Lumens	%Fixt
0-30	633	25.04
0-40	952	37.65
0-60	1648	65.17
0-90	2412	95.39
40-90	1460	57.73
60-90	764	30.21
90-180	117	4.61
0-180	2528	100.0

Efficacy = 51.2 Lumens /Watt

COEFFICIENTS OF UTILIZATION

Effective Floor Cavity Reflectance 20%

RC	80			
RW	70	50	30	10
ROR				
0	1.18	1.18	1.18	1.18
1	1.06	1.00	0.95	0.91
2	0.96	0.87	0.80	0.74
3	0.87	0.76	0.68	0.61
4	0.81	0.68	0.59	0.52
5	0.74	0.61	0.52	0.45
6	0.68	0.55	0.46	0.39
7	0.63	0.49	0.41	0.35
8	0.59	0.45	0.37	0.31
9	0.55	0.41	0.33	0.27
10	0.51	0.38	0.30	0.25

Fino[®] Ceiling

Ceiling Mount Wall Wash



PROJECT:

TYPE:

DIMMING COMPATIBILITY:

Amerlux[®] Fino fixtures are compatible with all major dimming protocols prevalent in the United States. Please see below for general compatibilities and wiring diagrams. Amerlux recommends testing your unique dimming configuration as the exact full configuration (Dimmer, Fixture Quantity, Voltage, etc) may affect dimming performance.

--- NOTE: INFORMATION BELOW IS FOR WIRED DIMMERS ONLY. FOR WIRELESS DIMMERS, CONSULT FACTORY ---

0-10V - DIMMING (Standard)

Integrates into a variety of building management and daylighting controls

Notes:

- 120VAC or 277VAC*
- Dims down to 1% light output
- Requires interface to turn off power to driver
- Consult Dimming manufacturer for installation instructions - DO NOT SHARE NEUTRALS!

Compatible Dimmers*:

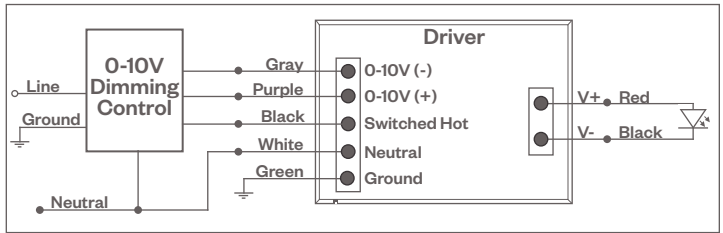
Wall Box

Lutron: Diva - DVSTV Maestro - MS-Z101 Nova-T - NTSTV-DV	Wattstopper: ADF-120277	Leviton: Renoir II
--	-----------------------------------	------------------------------

Center System

Lutron Grafikx Eye with GRX-TV1 Interface

0-10V Wiring Diagram



LUTRON HI-LUME ECOSYSTEM DIMMING

Integrates into Lutron EcoSystem building management

Notes:

- 120VAC or 277VAC*
- Dims down to 1% light output
- EcoSystem Control
- Consult Dimming manufacturer for installation instructions - DO NOT SHARE NEUTRALS!

Compatible Dimmers*:

Lutron ECO System

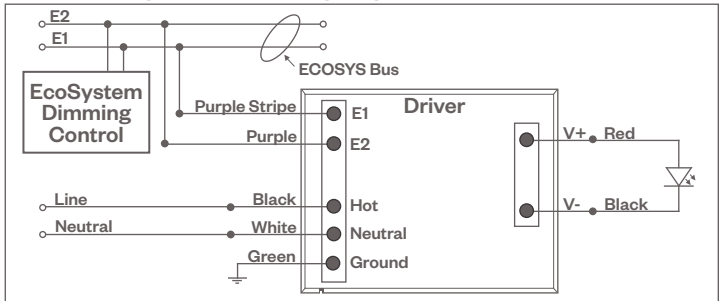
Pow Pak Dimming Modules
Energi Savr Node
Grafik Eye QS/Homeworks
QS Control Unit
Quantum Hub
Homeworks QS/My Room

Central System

Lutron EcoSystem compatible controls

HILUME-H-ECO

EcoSystem Digital Control Wiring Diagram



Notes:

- * Driver is 277VAC dimmable with appropriate dimmer (by others). All provided wiring diagrams show 120VAC wiring colors and method. Please refer to 277VAC dimmer installation instructions for 277VAC wiring diagrams.
- † The absence of a dimmer from the lists above does not imply incompatibility. Please consult factory for compatibility inquiries.

Fino[®] Ceiling

Ceiling Mount Wall Wash



PROJECT:

TYPE:

DIMMING COMPATIBILITY:

Amerlux[®] Fino fixtures are compatible with all major dimming protocols prevalent in the United States. Please see below for general compatibilities and wiring diagrams. Amerlux recommends testing your unique dimming configuration as the exact full configuration (Dimmer, Fixture Quantity, Voltage, etc) may affect dimming performance.

--- NOTE: INFORMATION BELOW IS FOR WIRED DIMMERS ONLY. FOR WIRELESS DIMMERS, CONSULT FACTORY ---

LUTRON HILUME-A-LTE DIMMING

Utilizes "Standard" incandescent dimmers that are in wide use in installations across the US. Best for retrofit applications where TRIAC dimmers are installed.

Notes:

- 120V only
- Dims down to less than 1% light output (most cases)
- Consult Dimming manufacturer for installation instructions - DO NOT SHARE NEUTRALS!
- Must meet dimmer Minimum Load Requirements per dimming manufacturer

Compatible Dimmers[†]:

Wall Box (Incandescent Style, Wattage as required)

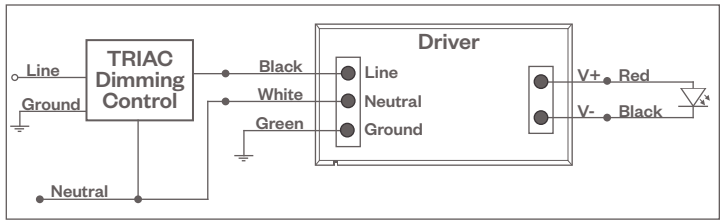
Lutron:

- Diva
- Maestro
- Nova-T
- Vareo
- Skylark

Center System

- Lutron "GP" Panel
- Lutron Grafik Eye QS

Lutron HILUME-A-LTE Wiring Diagram



DALI - DALI DIMMING 120-277VAC

Digital control protocol allows individual fixture control

Notes:

- 120VAC - 277VAC*
- Dims down to 1% light output in most cases

Compatible Dimmers[†]:

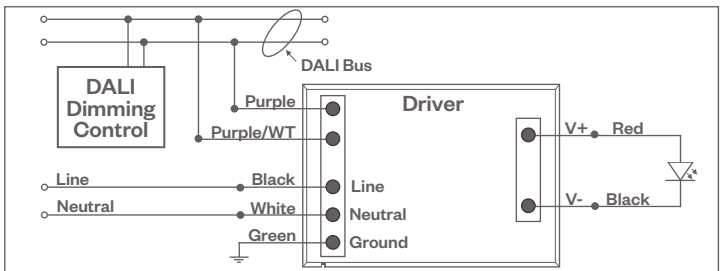
Wall Box

Leviton CD250 Controller

Center System

- Dynalite
- Fifth Light

DALI Wiring Diagram



Notes:

- * Driver is 277VAC dimmable with appropriate dimmer (by others). All provided wiring diagrams show 120VAC wiring colors and method. Please refer to 277VAC dimmer installation instructions for 277VAC wiring diagrams.
- † The absence of a dimmer from the lists above does not imply incompatibility. Please consult factory for compatibility inquiries.