

Drama-Linear Wall Grazer

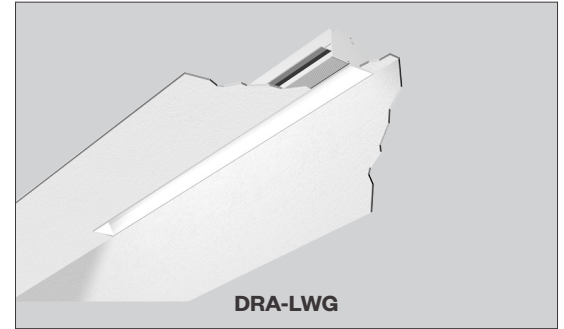


PROJECT:

TYPE:

Features

Drama-Linear Wall Grazer, a polished, extruded aluminum fixture housing, 8 Watt LED's per linear foot, created specifically to enhance outstanding architectural surfaces and materials. Optically and thermally engineered, Drama-Linear Wall Grazer features a discreet 2-inch aperture and utilizes high-output white LEDs creating visually stunning results.



Product Overview

Type: Recessed Wall Grazer
Wattage: 8W/ft
Color Temp: 2700K, 3000K, 3500K, 4000K
CRI: 83 typ.
Dimming: Non-dimming (*standard*)
0-10V, 1% dimming

Certifications



Fixture Summary

Performance Data

Wattage per Foot	Delivered Lumens	LPW	Color Temp	CRI
8	1219	28.3	3000K	83

Data is based on 4' fixture, PAL finish, 3000K-83, IES file available on website.

Electrical Data

Wattage per Foot	Voltage	4'		8'	
		System Watts	Amps	System Watts	Amps
8	120V	28.5	0.24	71.3	0.59
	277V	28.6	0.15	69.6	0.26

Runs

Individual (**IND**) Runs: 2' - 8' nominal lengths in 1' increments.
Continuous (**CON**) Runs: > 8' nominal, order to the nearest 1' increment.
Custom (**CUS**): Made to measure lengths are cut to nearest 1/8." Less than whole foot lengths will have equal unlit segments at each end.
Consult factory, requires approval drawings adding lead time and cost.

Drama-Linear Wall Grazer



PROJECT:	TYPE:
----------	-------

Ordering Information

		8	120/277					
1	2	3	4	5	6	7	8	9
1 Model	2 Wattage (per foot)	3 Color Temp		4 Optics				
DRA-LWG-A16 [†] DRA-LWG-GRID-A16 [†]	8	83 CRI 27 2700K-83 30 3000K-83 35 3500K-83 40 4000K-83 92 CRI optional, consult factory		PAL polished aluminum reflector DAL diffuse aluminum reflector				
5 Voltage	6 Length	7 Configuration³						
120/277V	_____ specify length <i>(for individual fixture, 2' to 8' in 1' increments, for continuous runs > than 8'; specify to nearest foot)</i>	IND ¹ individual fixture, 2' to 8' in 1' increments CON continuous run > than 8', specify to nearest foot CUS custom made to measure ± 1/8" of customer supplied field dimensions						
8 Drivers/Controls		9 Options/Accessories						
ND non-dimming (standard) 0-10V 0-10V dimming, 1% dim		CP Chicago Plenum (CCEA) EMC-PF ² emergency circuit requires power feed located in last fixture section (for other locations, consult factory) PF ² extra power feed for additional circuiting ¹ Not available with IND (individual) configuration						

[†] The "A" refers to the sequential revision in a year and "XX" refers to the year of update. Updates coincide with improved performance while not changing the overall fixture aesthetic and are reflected in the published performance data. Please contact your Amerlux representative for explanations of changes. 1 - Lengths less than 4' may have restrictions based upon wattage, lengths, drivers or other options.

2 - Not available with IND (individual) configuration.

3 - See notes on Configurations/Lengths on page 3

Drama-Linear Wall Grazer



PROJECT:

TYPE:

Specifications

Application

Emphasize vertical surfaces and wall textures with Drama.
Adds drama to any space.

Construction

Extruded aluminum housing. Die-formed galvanized internal components and aluminum modular bracket.

Optical

Optics are created by the surface finish of the pure aluminum reflectors.
PAL - Polished specular aluminum.
DAL - Diffused aluminum, non-directional satin.

LED

Amerlux's boards and patented connector design with brand name LEDs enables Amerlux fixtures to have excellent thermal management and offer a 10 year warranty. Our LED binning is within 3 MacAdam ellipse. Boards are configured for maximum flexibility resulting in even illumination no matter what the fixture layout. LED boards are easily replaced in the field with just a Phillips screw driver.

Color Temperature Options: 2700K, 3000K, 3500K, 4000K

CRI: 83 typical, 92 optional - consult factory

R9: 16 @ CRI 83; **R9:** >50 @ CRI 92

Life: 50,000+ hr., > 70% of initial lumens (L70)

Electrical

Wattage: 8W/ft

Wiring: All fixtures are pre-wired and provided with a 6' factory installed whip.

Electronic multi-volt (120-277VAC) constant voltage driver.

Emergency circuit via remote inverter or auxiliary emergency power supply (by others)

This product complies with IEEE C62.41 for surge endurance up to 2.5KV. Amerlux® recommends using additional surge protection with this unit (supplied by others), surge and over voltage damage is not covered under warranty.

EMC-PF - Emergency circuit requires power feed wire harness to be located in last fixture section for continuous runs. For other locations consult factory. Not available for individual (**IND**) configuration.

PF - Extra power feed wire harness for additional circuiting. Not available for individual (**IND**) configuration.

Drivers

ND - Non-Dimming (standard)

Optional Drivers:

0-10V - 0-10V dimming (optional)

Configurations/Lengths

Straight lengths only.

IND - Individual Fixtures, 2' to 8' nominal lengths in 1' increments. For exact length add 3/8" to nominal length.

CON - Continuous Runs, nominal lengths greater than 8', order to the nearest 1'. For exact length add 3/8" plus 1/8" for each 8' length, (required for part tolerances and installation).

CUS - Custom Runs, installations with lengths that are incrementally less than or equal to 1' will have illuminated section reduced to nearest foot. The unlit section will be equally divided at each end.

Examples:

<u>Exact Length</u>	<u>Lit Section</u>
8'-6"	8'
9'	8'
12'-3"	12'

Consult factory, requires approval drawings adding lead time and cost.

Mounting

DRA-LWG-A16 - Gypsum board mud in only

DRA-LWG-GRID-A16 - all common ceiling grids - 9/16", screw slot, or 15/16" Tee.

Certifications

Approved to UL standards for damp locations as tested by CSA.

Intended for indoor use only

Chicago Plenum (CCEA) optional.

Warranty

Amerlux's 5 year limited warranty. Please consult Amerlux website for details.

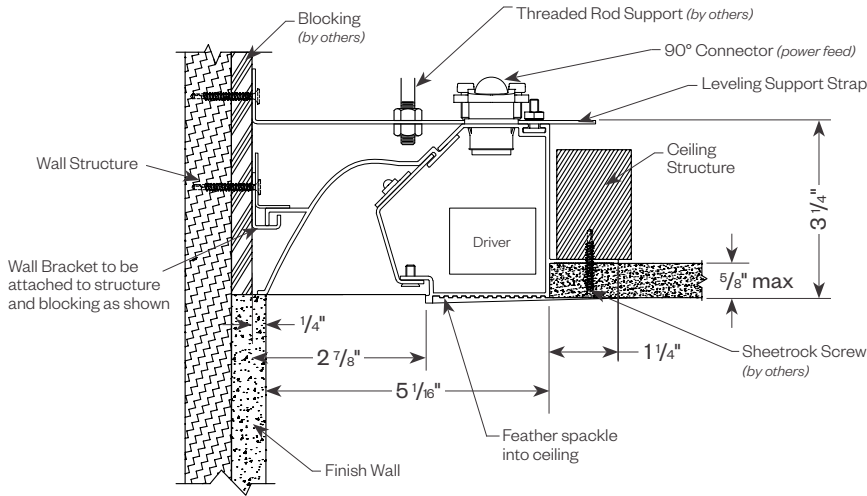
Drama-Linear Wall Grazer



PROJECT:

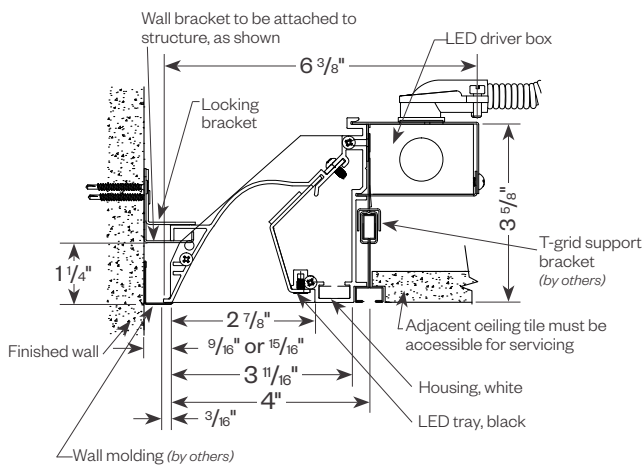
TYPE:

Product Details

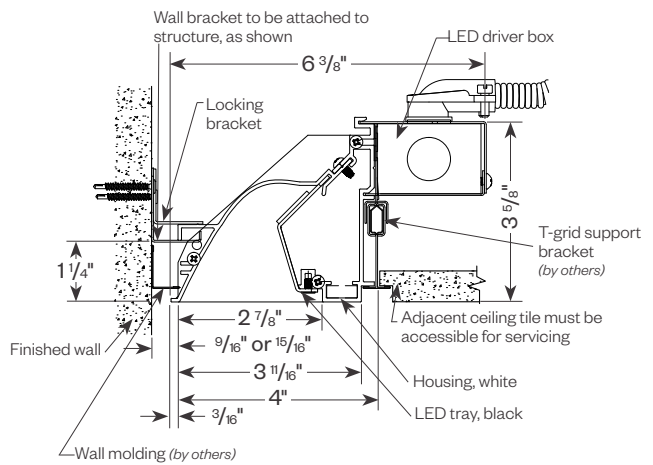


GRID VERSIONS

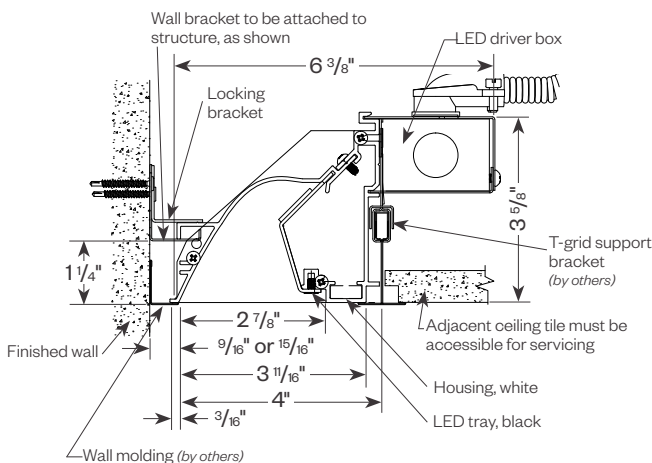
9/16" Slot-Grid



9/16" T-Grid



15/16" T-Grid



Drama-Linear Wall Grazer



PROJECT:	TYPE:
-----------------	--------------

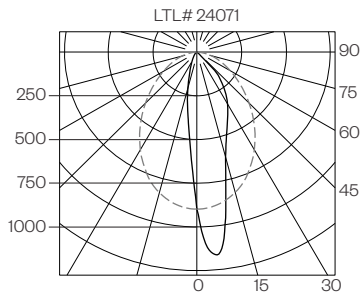
Performance Data

Multiplying Factors: (Multiplying Factor is based on 3000K-80 120V IES file on website)

CCT:	2700K-83	3000K-83	3500K-83	4000K-83
Factor:	0.93	1.0	1.08	1.15

DRA-LWG 8W DAL (DIFFUSE ALUMINUM) 3000K 4FT

Total Watts: 43
 Total Lumens: 827
 Source: 96 White LED's



ZONAL LUMEN SUMMARY

Zone	Lumens	%Fixt
0-30	425.8	51.5
0-40	590.4	71.4
0-60	777.9	94.1
0-90	827.1	100.0
90-180	0	0.0
0-180	827.1	100.0

Efficacy = 19.1 lm/W

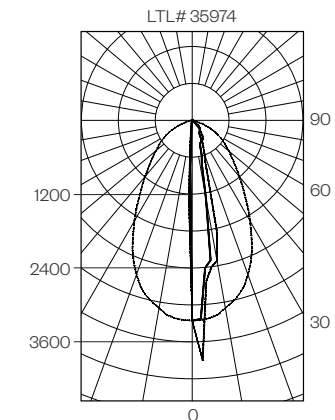
COEFFICIENTS OF UTILIZATION

RC	80			
RW	70	50	30	10
RCR				
0	985	985	985	985
1	927	899	874	851
2	868	818	777	742
3	812	747	696	656
4	760	684	629	587
5	713	630	572	530
6	671	583	524	482
7	632	542	483	442
8	597	505	448	408
9	565	473	417	379
10	536	444	390	353

Note: Values expressed as lumens delivered to the task surface.

DRA-LWG 8W PAL (POLISHED ALUMINUM) 3000K 4FT

Total Watts: 43
 Total Lumens: 1219
 Source: 96 White LED's



ZONAL LUMEN SUMMARY

Zone	Lumens	%Fixt
0-30	700	57.45
0-40	905	74.25
0-60	1154	94.64
0-90	1219	100.0
90-180	0	0.0
0-180	1219	100.0

Efficacy = 28.3 lm/W

COEFFICIENTS OF UTILIZATION

RC	80			
RW	70	50	30	10
RCR				
0	985	985	985	985
1	927	899	874	851
2	868	818	777	742
3	812	747	696	656
4	760	684	629	587
5	713	630	572	530
6	671	583	524	482
7	632	542	483	442
8	597	505	448	408
9	565	473	417	379
10	536	444	390	353

Note: Values expressed as lumens delivered to the task surface.