

Curvano® 2.5"

Curved Recess Linear

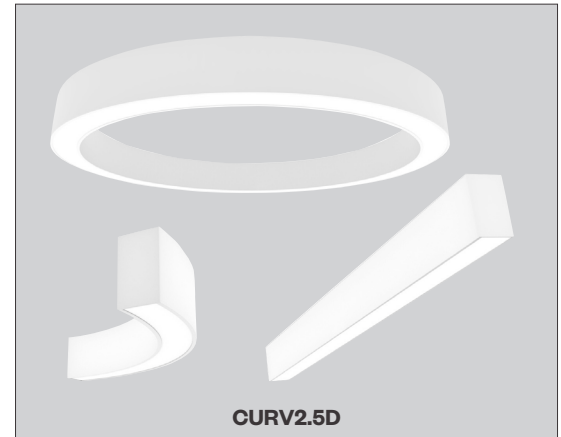


PROJECT:

TYPE:

Features

Curvano expands on the existing linear slot portfolio of Amerlux, further putting the “arch” in first-class architectural lighting. The 2.5” profile is available in 5 diameter options, as either a curved corner or full 360° circle. With the ability to fit in seamlessly anywhere on your project, from the simplest design to the most complex, Curvano provides infinite design and lighting patterns options: circular, serpentine and rounded-circle displays included. Trust Curvano to provide the freedom to create—and maintain—dynamic, head-turning spaces.



Product Overview

Type:	Pendant/Surface Mount Direct
Wattage:	3W-10W/ft
Color Temp:	2700K, 3000K, 3500K, 4000K
CRI:	83 or 90+ typ.
Dimming (wired):	0-10V, 1% dim (standard) Lutron LDE1 Hi-lume® 1% Soft-On/Fade-to-Black DALI, 1% dim

Certifications



Fixture Summary

Performance Data

Wattage per Foot	Delivered Lumens	Lumens per Foot	Lumens per Watt
5	1672	418	84.6
10	3059	765	77.6

Data is based on 4' fixture with Designer Lens, 3500K-80 120V IES files available on website.

Electrical Data

Wattage per Foot	Voltage	System Watts	Amps
5	120V	20	0.16
	277V	20.8	0.08
10	120V	39.7	0.33
	277V	39.7	0.15

Electronic multi-volt (120-277VAC), constant current LED driver, 4' fixture.

Curvano® 2.5"

Curved Recess Linear



PROJECT:	TYPE:
----------	-------

Ordering Information



1	Model	2	Optics	3	Wattage (per foot)	4	Color Temp-CRI	5	Finish	6	Voltage
	CURV2.5R-IS		DL designer lens		3 4 5 6 7 8 9 10		80+ CRI 30 3000K-80+ 35 3500K-80+ 40 4000K-80+ Consult factory for 90+ CRI lead time		90+ CRI 279 2700K-90+ 309 3000K-90+ 359 3500K-90+ 409 4000K-90+		120/277
									HW high reflectance matte white BT black texture ST silver texture For other RAL color, consult factory		

7	Length A	Length B	Length C
	X	X	
	- all patterns	- all patterns	- PU
	- IND		- PZ
	- CON		
	- CUS		
	For CIR and ARC configurations, skip to "Diameter & Angle"		

8	Diameter & Angle
	D22 22" diameter A45 45° angle
	D36 36" diameter A90 90° angle
	D43 43" diameter A135 135° angle
	D72 72" diameter A180 180° angle
	D100 100" diameter CA___ custom angle
	CD___ custom diameter
	X
	(diameter) (angle)
	- ARC - ARC
	- CIR - PLL/PLR
	- PLL/PLR - PU
	- PU - PZ
	- PR
	- PZ
	See page 3 for more details and restrictions. Patterns with multiple corners to have the same diameter & angle throughout. For IND/CON/CUS skip to "Configuration." For jobs with architectural drawings, original CAD file (.DWG) is required to quote.

9	Configuration
	IND - individual straight fixtures, 2' to 8' (in 1' increments)
	CON - continuous run, > than 8', specify to nearest foot
	CUS - custom made to measure, +/- 1/8" of customer supplied field dimensions
	ARC - individual curved fixtures, see diameter and angle options above
	CIR - circle (D22, D36, D43 ships assembled; D72, D100 ships in 90° sections)
	Standard Patterns (see page 3 for details)
	PLL - L left, (2) straight + (1) corner, leg right
	PLR - L left, (2) straight + (1) corner, leg left
	PU - U shape, (3) straight lengths + (2) corners
	PR - Rectangle, (4) straight lengths + (4) corners
	PZ - Z shape, (3) straight lengths + (2) corners
	For custom patterns, submit EDR on amerlux.com
	Minimum 10 pieces required for any custom diameter or angle.

10	Drivers/Controls
	O-10V 1% electronic dimming, multi-volt, 120-277VAC constant current driver (standard)
	DALI DALI dimming 120-277VAC, 1% dim
	HILUME-H-EOO Lutron LDE1 Hi-lume® 1% dim Soft-On/Fade-to-Black

11	Options/Accessories
	ENLS Enlighted Sensor (0-10V only & not available on 2' & 3' lengths)
	EMC-PF emergency circuit requires power feed located in last fixture section (for other locations consult factory)
	PF extra power feed for additional circuiting
	WHIP 6' whip, 18/5 conductor
	EMB emergency battery pack (4' + straight fixtures only)
	CP Chicago Plenum (CCEA)

Curvano® 2.5"

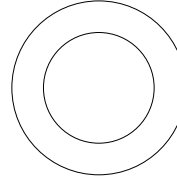
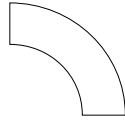
Curved Recess Linear



PROJECT:	TYPE:
-----------------	--------------

Diameter and Angle Options

Arc length is the center line length if the curve was straightened out.

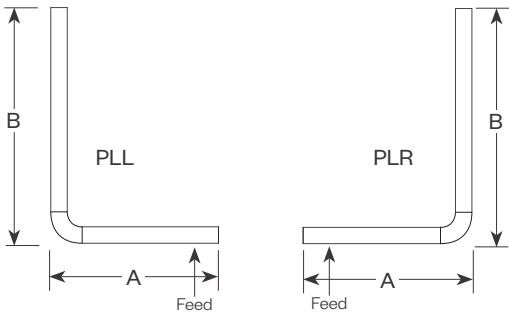


45°	
Diameter	Arc Length
D43	16.89"
D72	28.08"
D100	39.27"

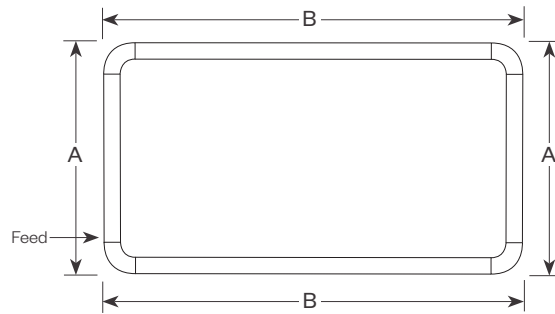
90°	
Diameter	Arc Length
D22	16.98"
D36	28.18"
D43	33.77"
D72	56.16"
D100	78.54"

360°	
Diameter	Arc Length
D22	67.54"
D36	112.72"
D43	135.09"
D72*	224.62"
D100*	314.16"

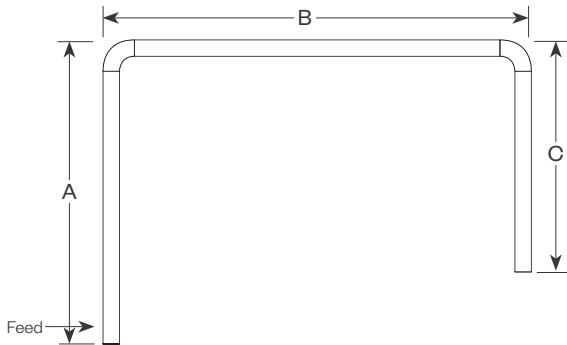
Standard Patterns



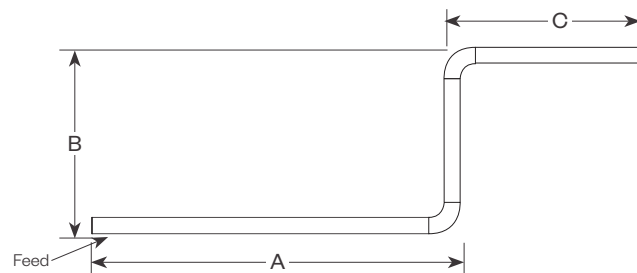
PLL - L Left, (2) straights + (1) corner, leg right
PLR - L Right, (2) straights + (1) corner, leg left
 Provide overall lengths: A' & B'; Diameter & Angle of corner
Example: 4'x8'.D43xA90.PLL



PR - Closed Rectangle, (4) straight lengths + (4) 90° corners
 Provide overall lengths: A' & B'; Diameter
Example: 12'x10'.D22.PR



PU - Open U, (3) straights + (2) corners
 Provide overall lengths: A' B' & C'; Diameter & Angle of corners
Example: 4'x10'.D72xA90.PU



PZ - Open Z, (3) straights + (2) corners
 Provide overall lengths: A' B' & C'; Diameter & Angle of corners
Example: 12'x6'x10'.D36XA90.PZ

Curvano® 2.5"

Curved Recess Linear



PROJECT:

TYPE:

Specifications

Application

Retail and commercial ambient lighting that can be customized with a variety of diameters and angles to create any curved pattern or variety of illuminated circles.

Construction

Extruded aluminum housing. Die-cast End Plates match fixture body finish. Die-formed, cold-rolled steel internal components are protected against rust and corrosion.

Optical

Laser cut acrylic lens, with lift and shift lay-in design. Maximum length is 8' and maximum angle is 90° (ex. 180° curve will have 2 lenses; Circle will have 4 lenses). All lenses ship installed into fixture. Amerlux's proprietary acrylic lens provide excellent transmission while effectively concealing source image.

DL – Designer Lens provides flat even glow on lens

LED

Amerlux fixtures have excellent thermal management and offer a 5 year warranty. Our LED binning is within 3 MacAdam ellipse. Boards are configured for maximum flexibility resulting in even illumination no matter the fixture layout. LED boards are easily replaced in the field with just a Phillips screw driver.

Color Temperature Options: 2700K, 3000K, 3500K, 4000K

CRI: 83 or 90+ typical

R9: 16 @ CRI 83; >50 @ CRI 90+

Life: 50,000+ hr., > 70% of initial lumens (L70)

Electrical

Wiring: Supply wires are easily accessible through access plate on top of fixture.

Remote Driver Wiring (D22, D36 & D43 ARC or CIR only): Driver is supplied installed in remote driver box, (one driver per box), with 5' of low voltage plenum rated cable. Fixture supplied with 18/2 SJT power cord ready to be connected to J-Box (by others) over cable canopy. Amerlux recommends a maximum of 15' between the fixture and the remote driver box. Consult factory with job specific electrical spec if more than 15' is required. Feeds are added as required by specified wattage and driver maximums.

See page 5 for wiring illustration.

WHIP: Optional factory installed 6' Greenfield whip (18/5 conductor) simplifies installation.

Standard Wattage: 3-10 W/ft (3W & 4W have a minimum length of 4').

Emergency circuit via remote invert or auxiliary emergency power supply (by others).

This product complies with IEEE C62.41 for surge endurance up to 2.5KV.

Amerlux® recommends using additional surge protection with this unit (supplied by others), surge and over voltage damage is not covered under warranty.

ENLS - Enlighted Sensor (0-10V driver only, not available in 2' & 3' lengths, and can only be used on one circuit). Limited to straight fixtures only.

EMC-PF - Emergency circuit requires power feed to be located in last fixture section for continuous runs. For other locations consult factory. Not available for individual (IND) configuration.

PF - Extra power feed for additional circuiting. Not available for individual (IND) configuration.

WHIP: Optional factory installed 6' Greenfield whip (18/5 conductor) simplifies installation.

EMB - Emergency battery pack - 10W output power, 90 min of illumination time. Illuminated test-switch/charging indicator light is provided. Wattage consumption by EMB: 2.5W/ft (4ft fixture), 1.66W/ft (6ft fixture), 1.25W/ft (8ft

fixture). Request can be made to light up 4ft section on 8ft unit.

Finish

All painted surfaces are premium powder coated baked on for maximum durability and color stability.

HW - High reflective matte White

BT - Black Texture

ST - Silver Texture

For special paint colors supply RAL and/or actual paint chip for factory consultation.

Configurations/Lengths

IND - Individual straights are standalone fixtures made of single lengths of 2' to 8' (in 1' increments). They are supplied with matching painted End Caps and the required mounting hardware. Lengths less than 4' may have restrictions based upon wattage, lengths, drivers or other options.

CON - Continuous runs are longer than 8', specified to the nearest whole foot. Continuous runs less than 16' are made of 2 lengths. Continuous runs longer than 16' start with a 8' Beginning of Row (BoR) wired with a power feed and fitted with an End Cap. The majority of the runs are made up of 8' Middle of Run (MoR) lengths. End of Run (EoR) units are made up of 2' to 8' units to the nearest whole foot or a combination of a last 4' MoR and a 5', 6' or 7' EoR. Runs longer than 60' may require a second power feed. Factory installed pins and splines simplify fixture alignment. Lengths are quickly joined with "catch and latch" mechanisms or screws and sturdy brackets. Quick connectors simplify field wiring.

CUS - Custom made to measure runs are made to nearest 1/8" of customer supplied field measurements. They can be a single custom length or runs configured as described above only EoR's are 2' to 8' cut to the nearest 1/8" exact length or a combination of a last 4' MoR with an EoR cut to exact length to the nearest 1/8".

ARC - Individual arcs are standalone fixtures made of single lengths using a diameter and an angle (ex. D43 x A90 is a 4' diameter, 90° individual fixture). They are supplied with matching painted End Caps and the required mounting hardware. All diameters utilize a remote mounted driver.

CIR - Circle fixtures made up of a single housing (D22, D36 & D43) or shipped in 90° segments (D72, D100). All diameters utilize a remote mounted driver.

PLL/PLR/PR/PU/PZ - Standard patterns consist of standard diameter & angle corners with standard lengths (3' to 8' in 1' increments) or custom lengths. Patterns with multiple corners will have the same diameter and angle utilized throughout the pattern. Depending upon complexity of the pattern, drawings may be required. When ordering please give overall lengths. See page 3 for layouts.

PC - Custom patterns use standard or custom lengths, 90° or other corner angles with some limitations. Please provide drawings and consult factory.

Mounting

Intended for use in millwork ceilings. For individual, continuous row, or pattern applications Please note - fixtures to be installed before ceiling.

CURV2.5R-IS - Independently suspended, fixture in wood ceiling

Certifications

Approved to UL standards as tested by CSA. Intended for indoor use only. Chicago Plenum (CCEA) option.

Warranty

Amerlux's 5 year limited warranty. Please consult Amerlux website for details.

Curvano® 2.5"

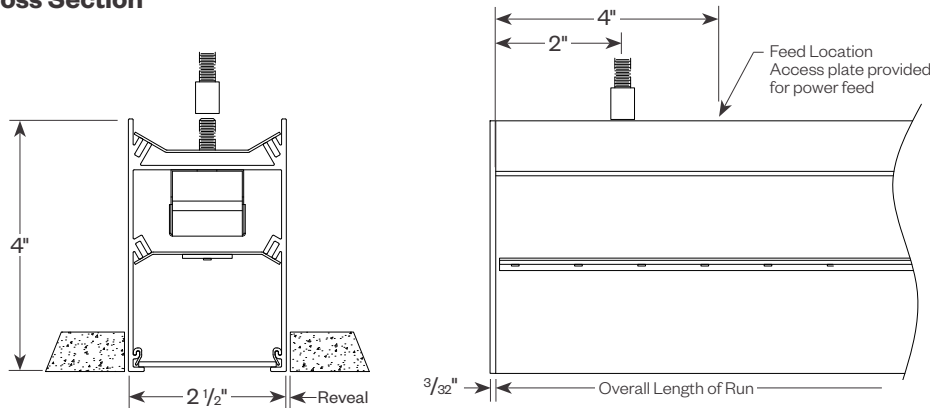
Curved Recess Linear



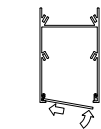
PROJECT: _____ TYPE: _____

Product Details

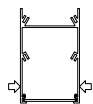
Cross Section



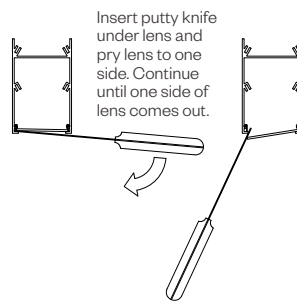
Lens Install/Removal



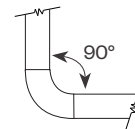
Insert Lens into one side at an angle and push into flexible lens clip. Tilt lens up past bottom flange and into fixture.



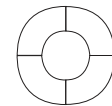
If lens shows a gap on one side squeeze fixture to center lens between lens clips.



Insert putty knife under lens and pry lens to one side. Continue until one side of lens comes out.



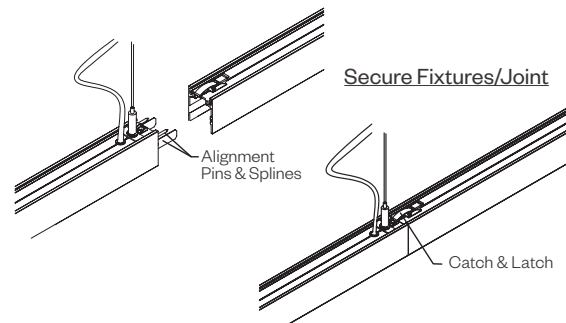
Rounded Corner Lens



Circle Lens

Tool-less Joining

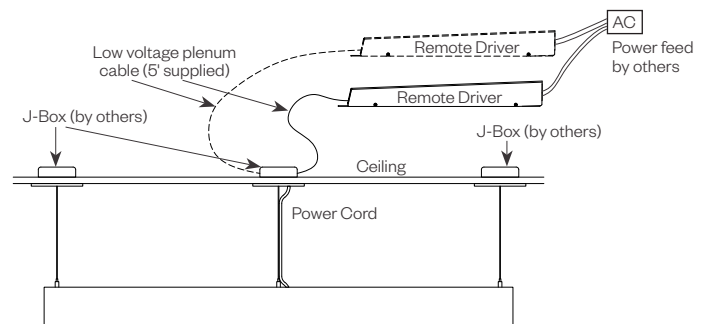
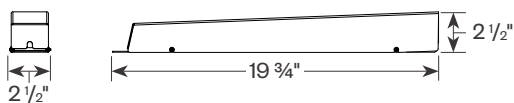
Line up the two housings by using the alignment pins & splines. Secure them together by using the Catch & Latch System on the top of or inside the extrusion.



Remote Driver

D22/36/43 ARC & CIR configurations only

Note: Driver required for every 4'. Remote drivers can be installed up to 15' max from fixture.



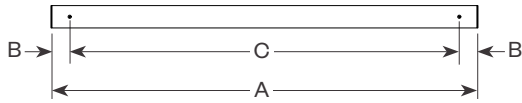
Curvano® 2.5"

Curved Recess Linear

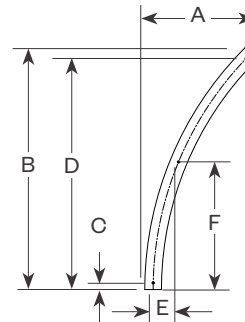


PROJECT:	TYPE:
-----------------	--------------

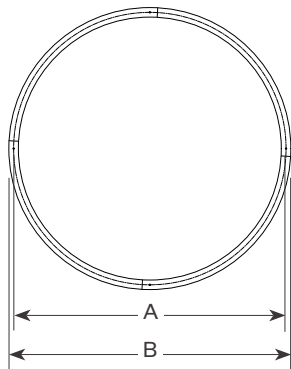
Run Lengths and Dimensions (View from top of fixture, Black dots represent mounting points)



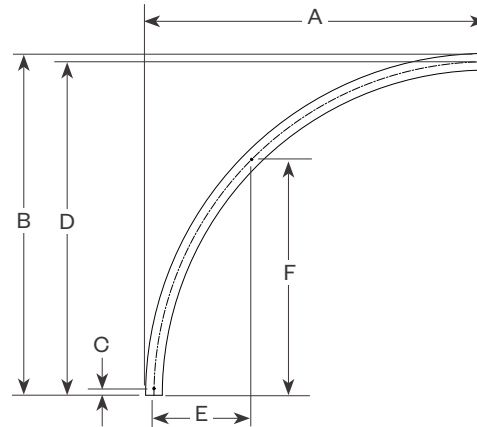
IND			
Length	A	B	C
2'	24"	2-3/32"	19-7/8"
3'	35-7/8"	2-3/32"	31-3/4"
4'	47-3/4"	2-3/32"	43-9/16"
5'	59-11/16"	2-3/32"	55-1/2"
6'	71-9/16"	2-3/32"	67-3/8"
7'	83-7/16"	2-3/32"	79-1/4"
8'	95-5/16"	2-3/32"	91-1/8"



45° ARC						
Diameter	A	B	C	D	E	F
D43	8-7/16"	16-1/16"	1"	14-1/2"	1-5/8"	8-1/4"
D72	12-5/8"	26-3/16"	1"	24-9/16"	2-3/4"	13-11/16"
D100	16-3/4"	36-1/4"	1"	34-5/8"	3-13/16"	19-1/8"



CIR		
Diameter	A	B
D22	21-5/8"	24-1/8"
D36	35-7/8"	38-3/8"
D43	43"	45-1/2"
D72	71-1/2"	74"
D100	100"	102-1/2"



90° ARC						
Diameter	A	B	C	D	E	F
D22	12-1/16"	12-1/16"	1"	10-3/4"	3-3/16"	7-5/8"
D36	19-3/16"	19-3/16"	1"	17-15/16"	5-1/4"	12-11/16"
D43	22-3/4"	22-3/4"	1"	21-1/2"	6-5/16"	15-3/16"
D72	37"	37"	1"	35-3/4"	10-1/2"	25-1/4"
D100	51-1/4"	51-1/4"	1"	50"	14-5/8"	35-3/8"

Curvano® 2.5"

Curved Recess Linear



PROJECT:	TYPE:
-----------------	--------------

Performance Data

Multiplying Factors: (Multiplying Factor is based on 3500K-83 120V IES file on website)

Wattage:	3W	4W	5W	6W	7W	8W	9W	10W
Factor:	0.67	0.83	1.0	1.17	1.33	1.5	1.66	1.83

CCT:	3000K-83	3500K-83	4000K-83
Factor:	0.97	1.0	1.01

Wattage:	3W	4W	5W	6W	7W	8W	9W	10W
Factor:	0.37	0.46	0.55	0.73	0.73	0.82	0.91	1.0

CCT:	2700K-90+	3000K-90+	3500K-90+	4000K-90+
Factor:	0.90	0.93	0.96	0.97

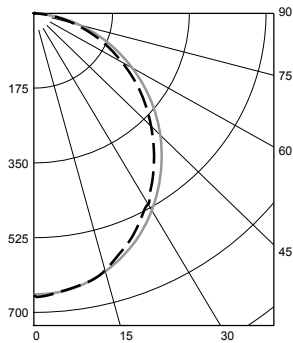
CURV2.5D DL 5W 3500K 4FT

Total Watts: 20

Total Lumens: 1672

Source: 112 direct White LEDs

LTL# 13450111.01



ZONAL LUMEN SUMMARY

Zone	Lumens	%Fixt
0-40	790	47.3
0-60	1345	80.5
0-90	1672	100.0
90-180	0	0.0

Efficacy = 84.6 Lumens /Watt

COEFFICIENTS OF UTILIZATION

Effective Floor Cavity Reflectance 20%

RC	80			
RW	70	50	30	10
RCR				
0	119	119	119	119
1	109	104	100	96
2	99	91	85	79
3	91	80	72	66
4	83	71	63	56
5	77	64	55	49
6	71	58	49	43
7	66	52	44	38
8	61	48	40	34
9	57	44	36	31
10	54	41	33	28

Values are expressed as percent of total lumen output delivered to the task surface.

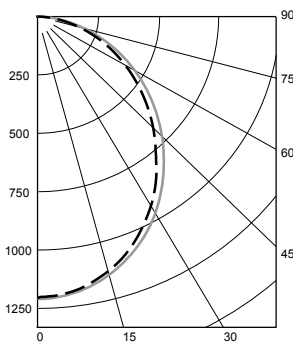
CURV2.5D DL 10W 3500K 4FT

Total Watts: 39

Total Lumens: 3059

Source: 112 direct White LEDs

LTL# 13450111.04



ZONAL LUMEN SUMMARY

Zone	Lumens	%Fixt
0-40	1449	47.4
0-60	2452	80.2
0-90	3059	100.0
90-180	0	0.0

Efficacy = 77.6 Lumens /Watt

COEFFICIENTS OF UTILIZATION

Effective Floor Cavity Reflectance 20%

RC	80			
RW	70	50	30	10
RCR				
0	119	119	119	119
1	109	104	100	96
2	99	91	84	79
3	91	80	72	66
4	83	71	63	56
5	77	64	55	49
6	71	58	49	43
7	66	52	44	38
8	61	48	40	34
9	57	44	36	31
10	54	41	33	28

Values are expressed as percent of total lumen output delivered to the task surface.

Curvano® 2.5"

Curved Recess Linear



PROJECT:

TYPE:

Dimming Compatibility

Amerlux® Carisma fixtures are compatible with all major dimming protocols prevalent in the United States. Please see below for general compatibilities and wiring diagrams. Amerlux recommends testing your unique dimming configuration as the exact full configuration (*Dimmer, Fixture Quantity, Voltage, etc*) may affect dimming performance.

--- NOTE: INFORMATION BELOW IS FOR WIRED DIMMERS ONLY. FOR WIRELESS DIMMERS, CONSULT FACTORY ---

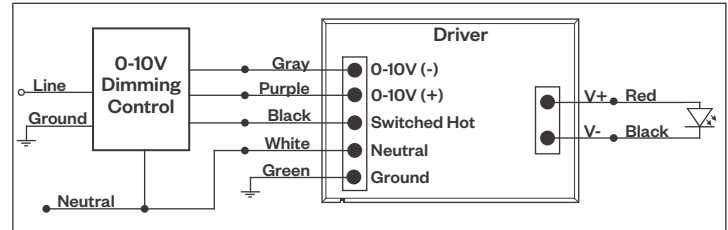
0-10V - DIMMING (Standard)

Integrates into a variety of building management and daylighting controls

Notes:

- 120V or 277V*
- Dims down to 1% light output
- Requires interface to turn off power to driver
- Consult Dimming manufacturer for installation instructions - **DO NOT SHARE NEUTRALS!**

0-10V Wiring Diagram



Compatible Dimmers†:

Wall Box			Central System
Lutron:	Wattstopper:	Leviton:	Lutron Grafikx Eye with GRX-TV1 Interface
Diva - DVSTV	ADF-120277	Renoir II	
Maestro - MS-Z101			
Nova-T - NTSTV-DV			

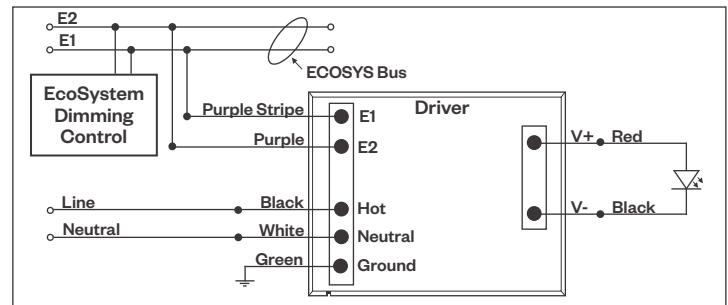
LUTRON LDE1 DIMMING

Integrates into Lutron EcoSystem building management

Notes:

- 120VAC or 277VAC*
- Dims down to 1% Soft-On/Fade-to-Black
- EcoSystem Control
- Consult Dimming manufacturer for installation instructions - **DO NOT SHARE NEUTRALS!**

LDE1 (HILUME-H-ECO) EcoSystem Digital Control Wiring Diagram



Compatible Dimmers†:

Lutron ECO System	Central System
Pow Pak Dimming Modules	Lutron EcoSystem compatible controls
Energi Savr Node	
Grafik Eye QS/Homeworks	
QS Control Unit	
Quantum Hub	
Homeworks QS/My Room	

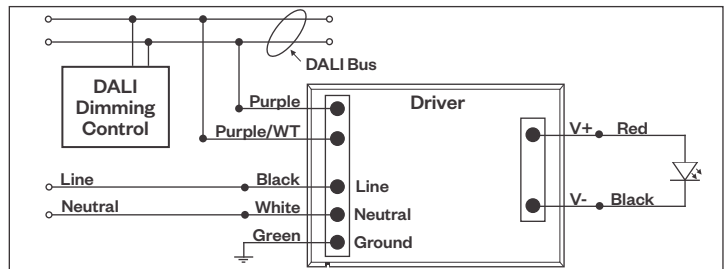
DALI - DALI DIMMING 120V-277V

Digital control protocol allows individual fixture control

Notes:

- 120VAC - 277VAC*
- Dims down to 1% light output in most cases

DALI Wiring Diagram



Notes:

* Driver is 277VAC dimmable with appropriate dimmer (*by others*). All provided wiring diagrams show 120VAC wiring colors and method. Please refer to 277VAC dimmer installation instructions for 277VAC wiring diagrams.

† The absence of a dimmer from the lists above does not imply incompatibility. Please consult factory for compatibility inquiries.