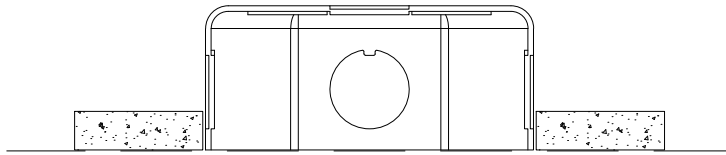


WARNING - RISK OF FIRE AND ELECTRICAL SHOCK. FIXTURE MUST BE INSTALLED BY A QUALIFIED ELECTRICIAN ONLY. FIXTURE IS INTENDED FOR INSTALLATION IN ACCORDANCE WITH THE NATIONAL ELECTRICAL CODE, LOCAL AND FEDERAL SPECIFICATIONS. DISCONNECT POWER AT ELECTRICAL PANEL BEFORE SERVICING.

RETAIN THESE INSTRUCTIONS FOR MAINTENANCE REFERENCE.

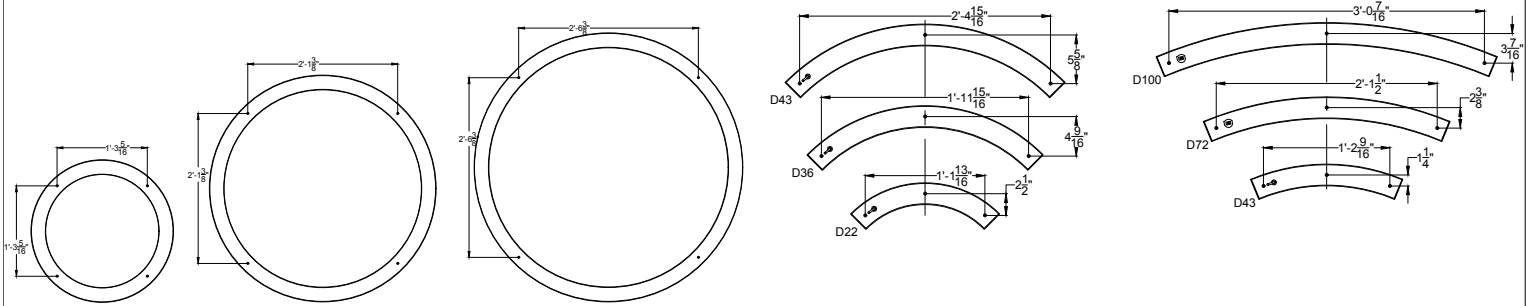
Pre-installation Note:

Supplied by Others: - 4" Octagonal J-Box



Install junction boxes - The junction boxes should be installed flush with ceiling plane as shown. This will ensure the canopy cover sits flush with the ceiling when install is finished.

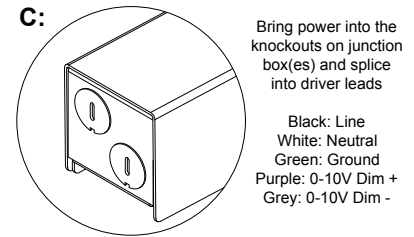
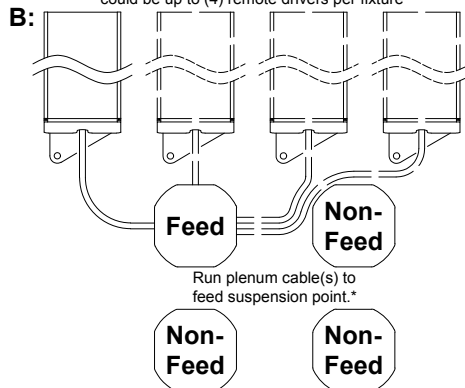
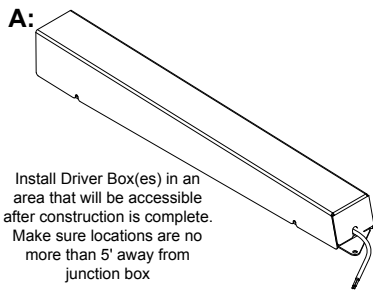
See page 2 for proper location of mounting points/ locations for junction boxes.



1: Install Remote Driver Box(es)

All Circles and Arcs have remote drivers

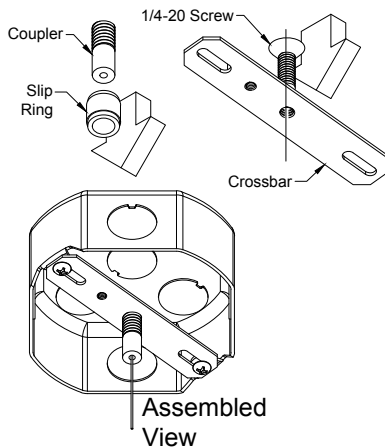
*Depending on configuration/size/wattage there could be up to (4) remote drivers per fixture



2: Install Canopy Kits

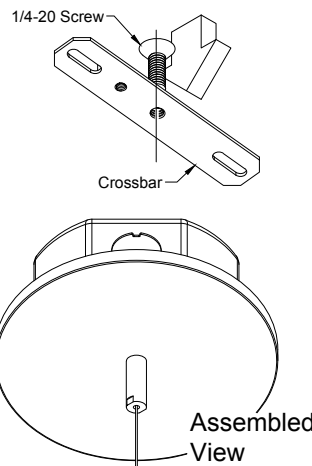
2-1: Feed

A: Remove slip ring from coupler (Do Not Lose) Install 1/4-20 screw into crossbar.

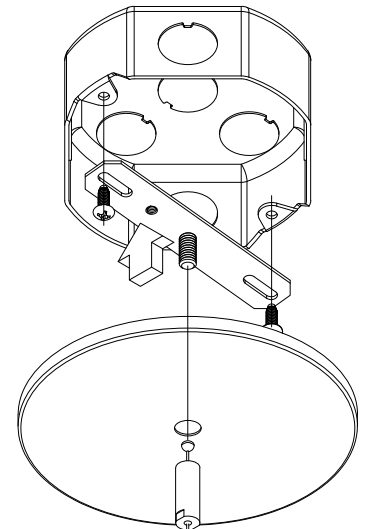


2-2: Non-Feed

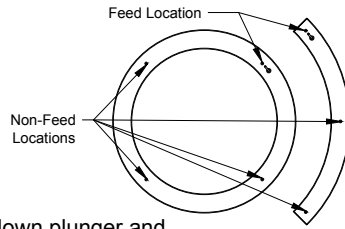
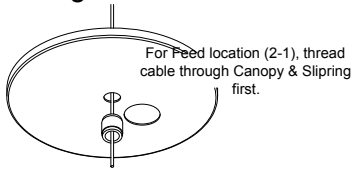
A: Install 1/4-20 screw into crossbar.



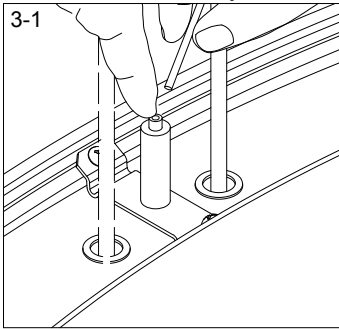
B: Install crossbar assembly into junction box. Thread cable through coupler. Fit canopy on 1/4-20 screw and secure with coupler to 1/4-20 screw.



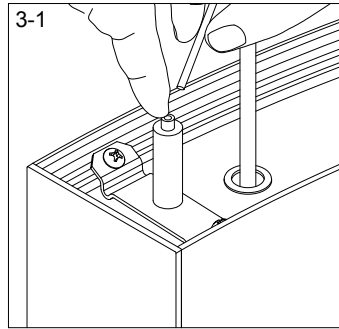
3: Hang Fixture



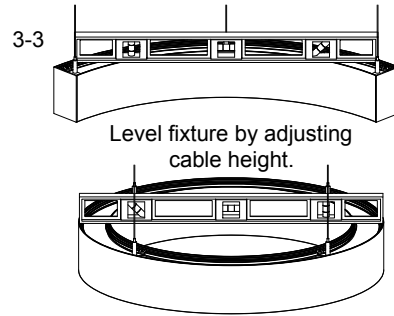
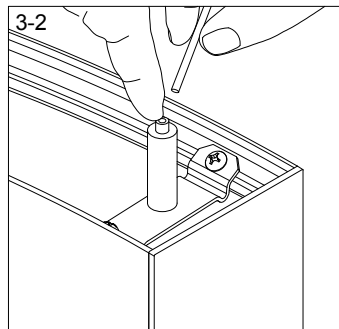
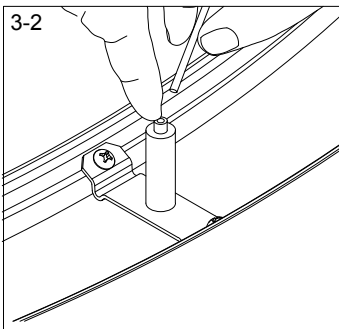
Hanging to suspension cable - Push down plunger and insert cable. Adjust and level fixture in the same manner.



Circle

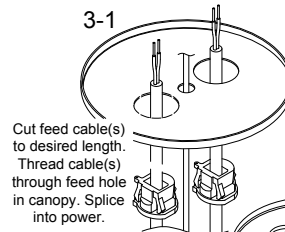


Arc

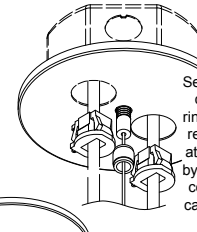


Level fixture by adjusting cable height.

4: Connect Power



Cut feed cable(s) to desired length. Thread cable(s) through feed hole in canopy. Splice into power.



3-2: Secure canopy to ceiling via slip ring. Attach strain relief to cable(s) at desired height by locking around cord. Install into canopy and snap in place.



Finished Canopy

Second feed cable for models with 3 or more remote drivers only.

Maintenance

WARNING: Electrostatic and polarity sensitive device. Use caution while handling and wiring.

1.) LED Fixture:

Consult Amerlux for LED maintenance.

2.) LED Replacement:

For LED board replacement reference 689-0853 Instruction Sheet.

3.) Driver maintenance:

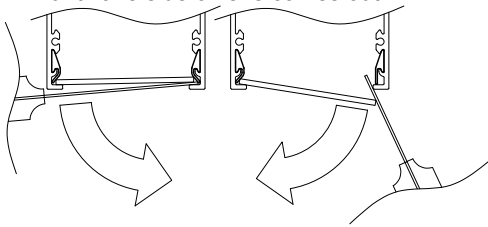
Drivers are located in remote enclosure.

For **programmable** driver replacement please specify: **Manufacturer, Model No.** and **Current Setting** (____ mA). This can be found on a sticker located on the driver.

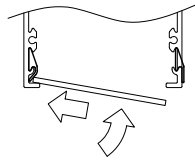
See Wiring Schematic 710-0185 for Direct
 710-0186 for Direct/Indirect

Lens Removal/Installation (Tool Required - Putty Knife or similar)

To Remove: Insert putty knife under lens and pry lens to one side. Continue until one side of lens comes out.



To Install: Insert Lens into one side at an angle and push into flexible lens clip. Tilt lens up past bottom flange and into fixture.

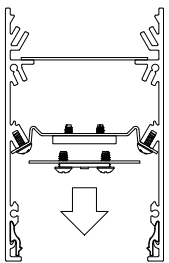


If lens shows a gap on one side squeeze fixture to center lens between lens clips.

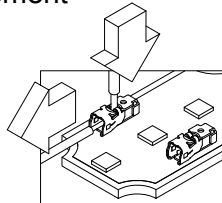


LED/Driver Replacement

Remove LED Tray:



Curved sections removed by pulling tray away from magnet.



Remove wires by inserting small pin (pushpin, solid wire, etc.) in top of connector to release wire.

See 689-0853 for board replacement details.