

Carisma Combo

Linear Direct Pendant
with Track



Features

The Carisma Combo combines our linear 2" Carisma pendants with track sections. Carisma is a family of architectural linear luminaires that offer excellent performance, quality, visuals and value. A sleek edge-to-edge lens design results in an elegant aesthetic with clean lines. Carisma's patent pending design includes an integrated optical system that minimizes optical losses, allowing for industry-leading efficacy.

Product Overview

Type:	Direct distribution with pendant mounting
Wattage:	5W/ft, 10W/ft (or specify wattage between 3W/ft and 10W/ft)
Color Temp:	2700K*, 3000K, 3500K, 4000K (* 90+ CRI only)
CRI:	80+ or 90+
Dimming:	0-10V, 1% dimming (standard)

PROJECT:

TYPE:

Fixture Summary *(see following pages for more information)*

Performance Chart

Lens	Wattage Per Foot	Delivered Lumens	LPW	Color Temp	CRI
P	5	2519	126.8	3500K	80+
P	10	4755	122.8	3500K	80+
A	5	2693	135.6	3500K	80+
A	10	5408	128.6	3500K	80+

Data is based on 3500K-80 IES files available on website

Data is based on 4' fixture

Runs

Individual Runs: 2' - 8' (specify in 1' increments)

Continuous Runs: >8' (specify to the nearest foot)



† DLC pending

Carisma Combo

Linear Direct Pendant with Track



PROJECT:

TYPE:

Ordering Information



Example: 28' run with 2' track at beginning and end of run

CAR2-D-COMBO-GES . 28 . 8TP/8P/8P/4PT . ASW04D . 5 . 35 . HW . 120/277 . 120 . CON . 0-10V

- | | |
|---|--|
| <p>1 <u>Model</u>
CAR2-D-COMBO-GES</p> <p>2 <u>Total Run Length</u>
_____ (min. 4ft, increments of 2ft)</p> <p>3 <u>Run Builder</u>
_____/_____
<i>Note: Section lengths must equal total run length</i>
<u>Combo Module with Linear Only:</u>
<u>Module Length</u> <u>Lens</u>
4 - 47.5" P - performance lens
6 - 71.25" A - asymmetric lens
8 - 95.0"

<u>Combo Module with Linear & Track:</u>
<u>Module Length</u> <u>Track Position & Lens</u>
4 - 47.5" PT - performance lens with 2' track at end
6 - 71.25" TP - performance lens with 2' track at beginning
8 - 95.0" AT - asymmetric lens with 2' track at end
 TA - asymmetric lens with 2' track at beginning
 TPT - performance lens with 2' track at beginning and end (6' and 8' lengths only)
 TAT - asymmetric lens with 2' track at beginning and end (6' and 8' lengths only)

<u>Combo Module with Track Only:</u>
<u>Module Length</u> <u>Track</u>
4 - 47.5" T - track
6 - 71.25"
8 - 95.0"
<i>Note: Add -EMB for emergency battery pack or -EMC for emergency circuit. Applies to lensed Linear only. Examples: 6P-EMB is a 6' performance lens only module with emergency battery pack. 8TP-EMB is an 8' module with track and performance lens with emergency battery pack for the performance lens section.</i>
<i>Note: P and A lens cannot be directly adjacent.</i></p> <p>4 <u>Mounting</u>
ASW04D - through ceiling tile or gyp board, white, 4' (18/6, 12/3)
ASW10D - through ceiling tile or gyp board, white, 10' (18/6, 12/3)
ASW20D - through ceiling tile or gyp board, white, 20' (18/6, 12/3)
ASB04D - through ceiling tile or gyp board, black, 4' (18/6, 12/3)
ASB10D - through ceiling tile or gyp board, black, 10' (18/6, 12/3)
ASB20D - through ceiling tile or gyp board, black, 20' (18/6, 12/3)</p> | <p>5 <u>Wattage (per foot)</u>
5 - 5W/ft
10 - 10W/ft
TO - track only</p> <p>6 <u>Color Temp</u>
83 CRI: 90+ CRI
30 - 3000K-83 279 - 2700K-90+
35 - 3500K-83 309 - 3000K-90+
40 - 4000K-83 359 - 3500K-90+
 409 - 4000K-90+

TO - track only</p> <p>7 <u>Finish</u>
HW - high reflectance matte white
BT - black texture
ST - silver texture</p> <p>8 <u>Linear Voltage</u>
120/277
TO - track only</p> <p>9 <u>Track Voltage</u>
120</p> <p>10 <u>Configuration</u>
IND - use IND if row consists of only one single Module (e.g. 4PT)
CON - use CON if row consists of more than one single Module (e.g. 6P/4TA/6TP)</p> <p>11 <u>Drivers/Controls</u>
<u>Wired:</u>
0-10V* - 1% electronic dimming, multi-volt (120-277VAC) constant current driver (standard).
TO - track only
* For linear ambient sections only</p> |
|---|--|

Carisma Combo

Linear Direct Pendant with Track



PROJECT:

TYPE:

Specifications

Construction

Extruded aluminum housing and reflector. Die-cast end caps match fixture body finish.
Dual wire way wiring chassis, 1 circuit GES track (Track Heads sold separately)

Optical

All lenses are snap-in, extruded acrylic, with a maximum length of 8'. Amerlux's proprietary acrylic lens provide excellent transmission while effectively concealing source image.
P - Performance Lens provides high efficiency with controlled lens surface brightness.
A - Asymmetric Lens

LED

Our LED binning is within 3 MacAdam ellipse. Boards are configured for maximum flexibility resulting in even illumination no matter the fixture layout. LED boards are easily replaced in the field with just a Phillips screw driver.
Color Temperature Options: 2700K*, 3000K, 3500K, 4000K
CRI: 80+, 90+
R9: 16 @ CRI 83; **R9:** >50 @ CRI 92
Life: 50,000+ hr., > 70% of initial lumens (L70)
*** Available in 90+ CRI only**

Electrical

LED = Line 1, Track = Line 2
Wiring: Individual and "Beginning of Run" (BOR) fixtures are prewired with power cord. All configurations have quick connect power harnesses for row connections.
Standard Wattage: 5W/ft, 10W/ft.
Optional Wattages: 3W/ft, 4W/ft, 6W/ft, 7W/ft, 8W/ft, 9W/ft. (3W & 4W have a minimum length of 3'). For other wattages consult factory. Emergency circuit via remote inverter or auxiliary emergency power supply (by others).
This product complies with IEEE C62.41 for surge endurance up to 2.5KV. Amerlux® recommends using additional surge protection with this unit (supplied by others), surge and over voltage damage is not covered under warranty.

Finish

All painted surfaces are premium powder coated baked on for maximum durability and color stability.
HW - High reflective matte White
BT - Black Texture
ST - Silver Texture
For special paint colors supply RAL and/or actual paint chip for factory consultation.

Configurations/Lengths

IND - Individual fixtures are made of single standard lengths of 2ft to 8ft (in 2ft increments). These are stand alone fixtures with matching End Caps, supplied with the mounting hardware. Lengths less than 4' may have restrictions based upon wattage, lengths, drivers or other options.
CON - Continuous runs, > 8' specified to nearest whole foot length in 2ft increments. Runs made from standard lengths have End Caps at the beginning and end of run. Runs > 60' may require second power feed. Each housing has factory installed alignment pins. Mating fixtures are easily aligned and joined. Wiring is made fast and positive with molded quick connectors.

Mounting

The Carisma Direct is intended for pendant mounting.
Pendant Mount-ASWxxD - Direct pendant mounted in center of ceiling tile or gypsum board ceiling (standard) i.e. ASWxx.
Cable is stranded stainless steel wire. All fittings are protected against rust and corrosion. Canopies are 5" x 1/4" die formed painted steel. Adjustment mechanism allows for infinite height adjustment. Amerlux recommends the required feed and non-feed suspensions based upon length and electrical options. Options include: color of canopy and power cord (black or white), length 4', 10' or 20', and mounting condition, in center of ceiling tile and in gypsum board ceiling (standard) i.e. ASWxxD.

Options

EMB - Emergency battery pack - 10W output power, 90 min of illumination time, up to 1300 lm of initial light output. Illuminated test-switch/charging indicator light is provided. Wattage consumption by EM: 2.5W/ft (4ft fixture), 1.66W/ft (6ft fixture), 1.25W/ft (8ft fixture).

Certifications

Approved to UL standards for damp locations as tested by CSA
Intended for indoor use only

Warranty

Amerlux's 5 year limited warranty. Please consult Amerlux website for details.

Carisma Combo

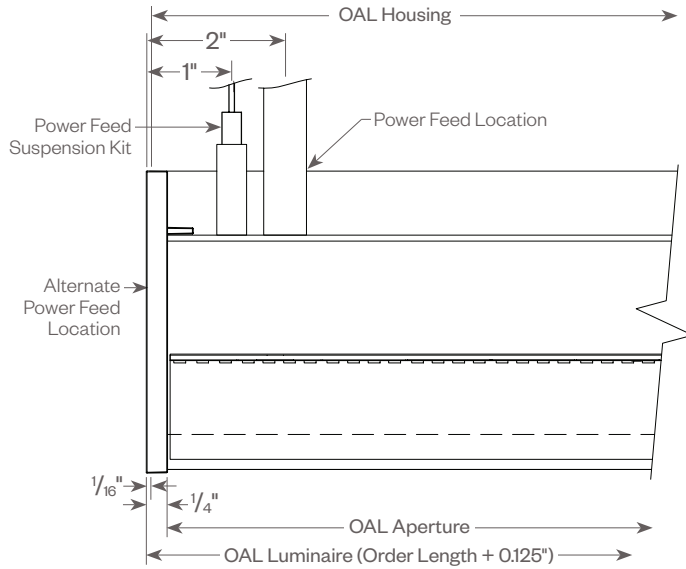
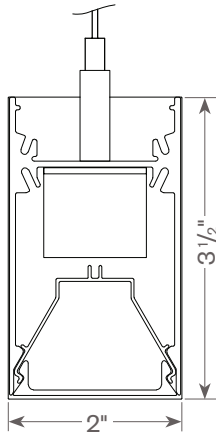
Linear Direct Pendant with Track



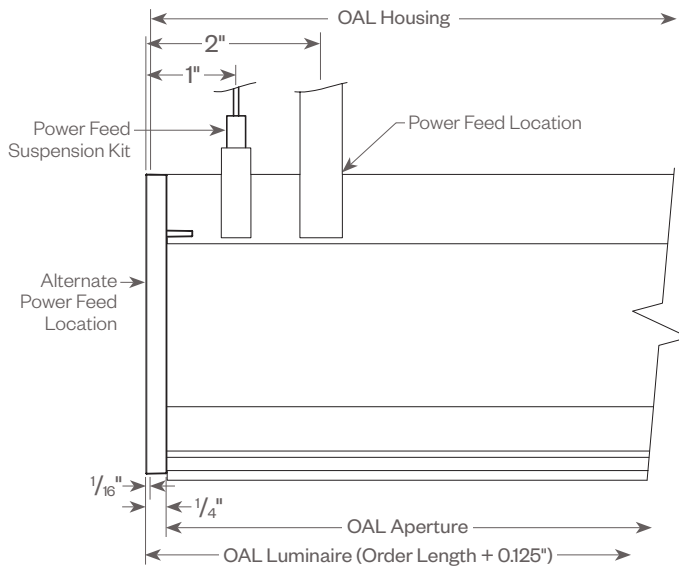
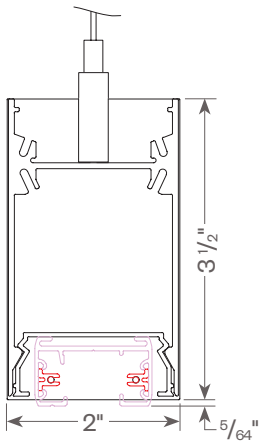
PROJECT:

TYPE:

Pendant

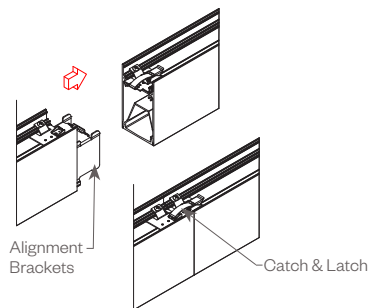


Track Profile



TOOLLESS JOINING

Line up the two housings using the alignment brackets. Secure them together by using the Catch & Latch System on the top of the extrusion.



Carisma Combo

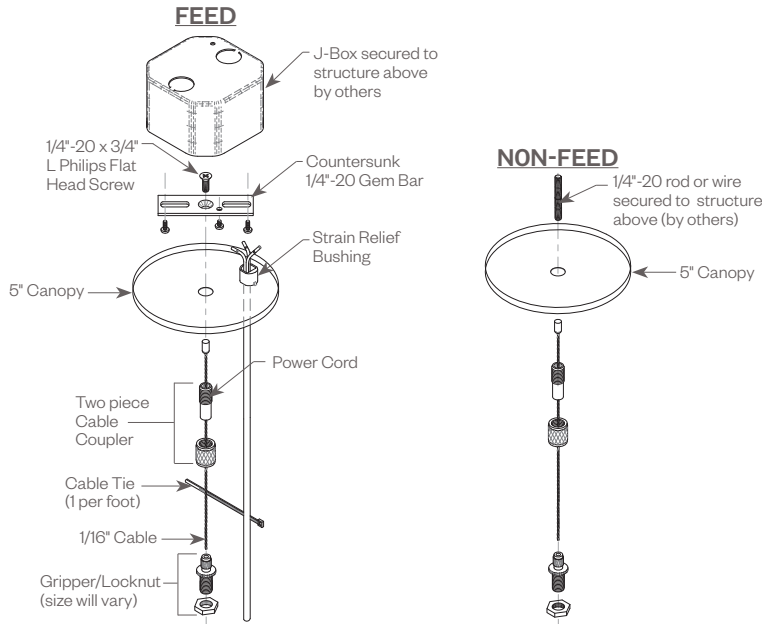
Linear Direct Pendant with Track



PROJECT:

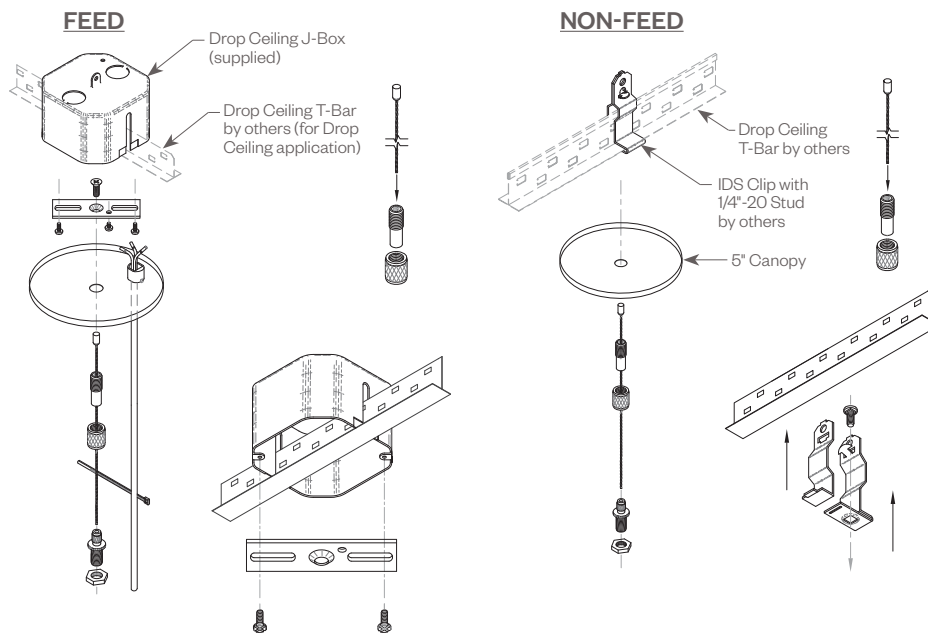
TYPE:

**CABLE KIT SUSPENSION OPTIONS:
CEILING OR GYPSUM BOARD (ASW10, ASW20, ASB10, ASB20)**



Cat#	Length	Cord/Canopy	Application
ASW04	4'	white/white	ceiling tile/gypsum
ASW10	10'	white/white	ceiling tile/gypsum
ASW20	20'	white/white	ceiling tile/gypsum
ASB04	4'	black/black	ceiling tile/gypsum
ASB10	10'	black/black	ceiling tile/gypsum
ASB20	20'	black/black	ceiling tile/gypsum
ASW04T	4'	white/white	ceiling tee
ASW10T	10'	white/white	ceiling tee
ASW20T	20'	white/white	ceiling tee
ASB04T	4'	black/black	ceiling tee
ASB10T	10'	black/black	ceiling tee
ASB20T	20'	black/black	ceiling tee

TEE GRID OR SCREW SLOT (ASW10T, ASW20T, ASB10T, ASB20T)



Carisma Combo

Linear Direct Pendant with Track



PROJECT:

TYPE:

FIXTURE DATA:

MULTIPLYING FACTORS: (Multiplying Factor is based on 3500K-80 120V IES file on website)

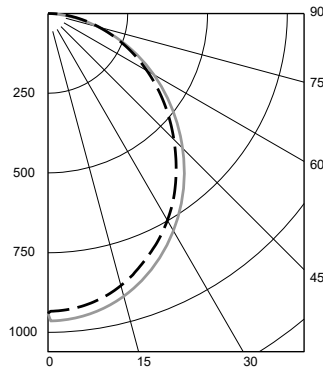
Wattage:	3W	4W	5W	6W	7W	8W	9W	10W
Factor:	0.59	0.78	1.0	1.20	1.40	1.60	1.79	1.98

CCT-CRI:	3000K-80	3500K-80	4000K-80	2700K-90	3000K-90	3500K-90	4000K-90
Factor:	0.97	1.0	1.02	0.90	0.92	0.92	0.94

CARISMA 2" DIRECT PERFORMANCE LENS 5W 3500K 4FT

Total Watts: 20
Total Lumens: 2,519
Source: 192 White LED's

LTL# 14656342.04



ZONAL LUMEN SUMMARY

Zone	Lumens	%Fixt
0-40	1154	45.8
0-60	1990	79.0
0-90	2519	100.0
90-180	0	0.0

Efficacy (lumens/watt) = 126.8 lm/W

COEFFICIENTS OF UTILIZATION

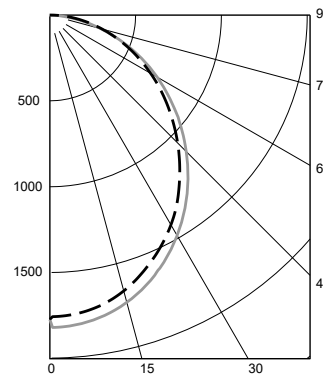
RC	RW			
	70	50	30	10
RCR				
0	119	119	119	119
1	109	104	100	96
2	99	91	84	78
3	90	80	71	65
4	83	71	62	55
5	76	63	54	48
6	70	57	48	42
7	65	52	43	37
8	61	47	39	33
9	57	43	35	30
10	53	40	32	27

Note: Values expressed as % of total lumen output delivered to the task surface.

CARISMA 2" DIRECT PERFORMANCE LENS 10W 3500K 4FT

Total Watts: 39
Total Lumens: 4,755
Source: 192 White LED's

LTL# 14656342.03



ZONAL LUMEN SUMMARY

Zone	Lumens	%Fixt
0-40	2177	45.8
0-60	3754	78.9
0-90	4755	100.0
90-180	0	0.0

Efficacy (lumens/watt) = 122.8 lm/W

COEFFICIENTS OF UTILIZATION

RC	RW			
	70	50	30	10
RCR				
0	119	119	119	119
1	109	104	100	96
2	99	91	84	78
3	90	80	71	65
4	83	71	62	55
5	76	63	54	48
6	70	57	48	42
7	65	52	43	37
8	61	47	39	33
9	57	43	35	30
10	53	40	32	27

Note: Values expressed as % of total lumen output delivered to the task surface.

Carisma Combo

Linear Direct Pendant with Track



PROJECT:

TYPE:

FIXTURE DATA:

MULTIPLYING FACTORS: (Multiplying Factor is based on 3500K-80 120V IES file on website)

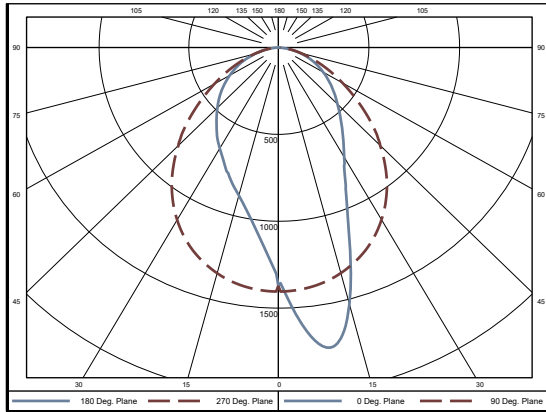
Wattage:	3W	4W	5W	6W	7W	8W	9W	10W
Factor:	0.59	0.78	1.0	1.20	1.40	1.60	1.79	1.98

CCT-CRI:	3000K-80	3500K-80	4000K-80	2700K-90	3000K-90	3500K-90	4000K-90
Factor:	0.97	1.0	1.02	0.90	0.92	0.92	0.94

CARISMA 2" DIRECT ASYMMETRIC LENS 5W 3500K 4FT

Total Watts: 20
Total Lumens: 2693
Source: 192 White LED's

LTL# 15335267.01



ZONAL LUMEN SUMMARY

Zone	Lumens	%Fixt
0-40	1446	53.7
0-60	2259	83.9
0-90	2692	100.0
90-180	0	0.0

Efficacy (lumens/watt) = 135.6 lm/W

COEFFICIENTS OF UTILIZATION

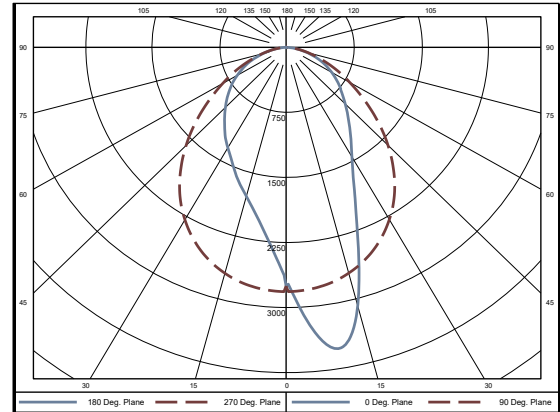
RC	RW			
	70	50	30	10
RCR				
0	119	119	119	119
1	110	105	102	98
2	101	93	87	82
3	93	83	75	69
4	86	74	66	60
5	79	67	58	53
6	74	61	53	47
7	69	56	48	42
8	64	51	43	38
9	60	48	40	34
10	57	44	37	32

Note: Values expressed as % of total lumen output delivered to the task surface.

CARISMA 2" DIRECT ASYMMETRIC LENS 10W 3500K 4FT

Total Watts: 42
Total Lumens: 5408
Source: 192 White LED's

LTL# 15335267.02



ZONAL LUMEN SUMMARY

Zone	Lumens	%Fixt
0-40	2906	53.7
0-60	4535	83.9
0-90	5408	100.0
90-180	0	0.0

Efficacy (lumens/watt) = 128.6 lm/W

COEFFICIENTS OF UTILIZATION

RC	RW			
	70	50	30	10
RCR				
0	119	119	119	119
1	110	105	102	98
2	101	93	87	82
3	93	83	75	69
4	86	74	66	60
5	79	67	58	53
6	74	61	53	47
7	69	56	48	42
8	64	51	43	38
9	60	48	40	34
10	57	44	37	32

Note: Values expressed as % of total lumen output delivered to the task surface.

Carisma Combo

Linear Direct Pendant with Track



PROJECT:

TYPE:

DIMMING COMPATIBILITY:

Amerlux® Carisma fixtures are compatible with all major dimming protocols prevalent in the United States. Please see below for general compatibilities and wiring diagrams. Amerlux recommends testing your unique dimming configuration as the exact full configuration (Dimmer, Fixture Quantity, Voltage, etc) may affect dimming performance.

--- NOTE: INFORMATION BELOW IS FOR WIRED DIMMERS ONLY. FOR WIRELESS DIMMERS, CONSULT FACTORY ---

0-10V - DIMMING (Standard)

Integrates into a variety of building management and daylighting controls

Notes:

- 120VAC or 277VAC*
- Dims down to 1% light output
- Requires interface to turn off power to driver
- Consult Dimming manufacturer for installation instructions - DO NOT SHARE NEUTRALS!

Compatible Dimmers†:

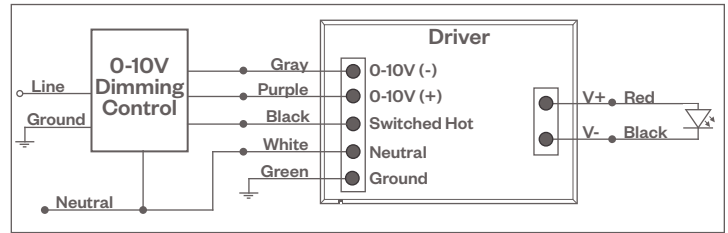
Wall Box

Lutron:	Wattstopper:	Leviton:
Diva - DVSTV	ADF-120277	Renoir II
Maestro - MS-Z101		
Nova-T - NTSTV-DV		

Center System

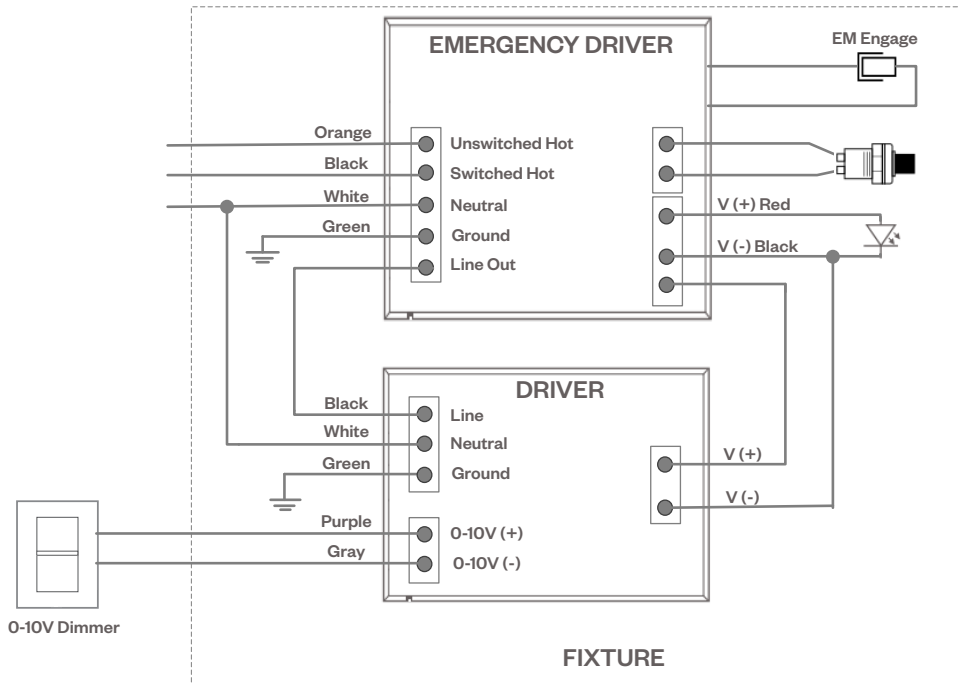
Lutron Grafik Eye with GRX-TV1 Interface

0-10V Wiring Diagram



EMERGENCY FIXTURE WITH BUILT-IN BATTERY PACK (EMB) WIRING:

Note: EMB not available on lengths under 4'.



Notes:

- * Driver is 277VAC dimmable with appropriate dimmer (by others). All provided wiring diagrams show 120VAC wiring colors and method. Please refer to 277VAC dimmer installation instructions for 277VAC wiring diagrams.
- † The absence of a dimmer from the lists above does not imply incompatibility. Please consult factory for compatibility inquiries.