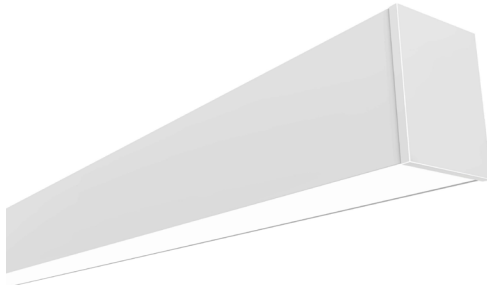


# Carisma 3"

## Linear Direct LED



### Features

Carisma Pendant is part of a family of architectural linear luminaires that offer excellent performance, quality, visuals and value. A sleek edge-to-edge lens design results in an elegant aesthetic with clean lines. Carisma's patent pending design includes an integrated optical system that minimizes optical losses, allowing for industry-leading efficacy that meets the stringent requirements for DLC Listing (DLC Listing pending). A tailored end cap design and Amerlux's trusted catch-and-latch mechanism prevents all light leakage.

The Carisma Pendant offers luminaires with 2" and 3" wide apertures, delivering seamless lighting as discrete individual fixtures, continuous rows or patterns. Carisma can be specified to the nearest 1/8" and is available in pendant, surface, wall and recessed mounting options, providing designers with the versatility to light up a space with their Carisma.

### Product Overview

Type:	Direct distribution with pendant, surface or wall mounting
Wattage:	5W/ft, 10W/ft (or specify wattage between 3W/ft and 10W/ft)
Color Temp:	2700K*, 3000K, 3500K, 4000K (* 90+ CRI only)
CRI:	80+ or 90+
Dimming (wired):	0-10V, 1% dimming (standard) Lutron LDE1 Hi-lume® 1% Soft-On/Fade-to-Black DALI dimming, 1% dim
Dimming (wireless):	Enlighted Sensor Lutron Athena (integral wireless RF node)

### PROJECT:

### TYPE:

### Fixture Summary *(see following pages for more information)*

#### Performance Chart

Wattage Per Foot	Delivered Lumens	LPW	Color Temp	CRI
5	2632	129.5	3500K	80+
10	5253	123.1	3500K	80+

*Data is based on 3500K-80 IES files available on website  
Data is based on 4' fixture with Performance lens*

#### Runs

Individual Runs: 2' - 8' (specify in 1' increments)

Continuous Runs: >8' (specify to the nearest foot)

Custom: Made to measure lengths available (specify to nearest 1/8" of field dimensions).

*Requires approval drawings. Added cost & lead time.*

#### Electrical Data

Wattage Per Foot		4'		8'	
		System Watts	Amps	System Watts	Amps
5	120V	19.8	0.17	40.2	0.34
	277V	20.5	0.07	40.1	0.15
10	120V	38.7	0.32	80.3	0.67
	277V	40	0.15	79	0.29

*Electronic multi-volt (120-277VAC), constant current LED driver*

#### Standard Patterns

"L"	"J"	"U"	"O"	"Z"	Wall to Ceiling	Custom
Yes	Yes	Yes	Yes	Yes	No	No



5 year limited warranty  
AMERLUX LED



† DLC pending

# Carisma 3" Direct

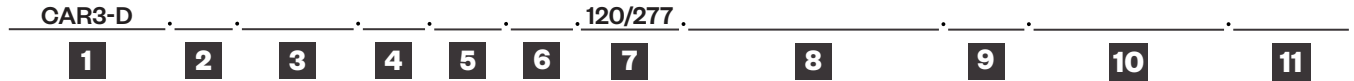
Linear Direct LED



**PROJECT:**

**TYPE:**

## Ordering Information



- 1 Model**  
**CAR3-D**
- 2 Optics**  
**PL** - performance lens
- 3 Mounting**  
Pendant Mount (aircraft cable suspension)  
**ASW04** - through ceiling tile or gyp board, white, 4'  
**ASW10** - through ceiling tile or gyp board, white, 10'  
**ASW20** - through ceiling tile or gyp board, white, 20'  
**ASB04** - through ceiling tile or gyp board, black, 4'  
**ASB10** - through ceiling tile or gyp board, black, 10'  
**ASB20** - through ceiling tile or gyp board, black, 20'  
**ASW04T** - over ceiling tee, white, 4'  
**ASW10T** - over ceiling tee, white, 10'  
**ASW20T** - over ceiling tee, white, 20'  
**ASB04T** - over ceiling tee, black, 4'  
**ASB10T** - over ceiling tee, black, 10'  
**ASB20T** - over ceiling tee, black, 20'  
Wall Mount  
**WM** - wall mount  
Surface Mount  
**SM** - surface mount  
  
\* 4' (xxx04) is standard length, other lengths are additional charge

- 4 Wattage (per foot)**  
Standard:  
**5** - 5W/ft  
**10** - 10W/ft  
Optional:  
**3** - 3W/ft (3' minimum length required)  
**4** - 4W/ft (3' minimum length required)  
**6** - 6W/ft  
**7** - 7W/ft  
**8** - 8W/ft  
**9** - 9W/ft

- 5 Color Temp**  
80+ CRI:  
**30** - 3000K-80+      **279** - 2700K-90+  
**35** - 3500K-80+      **309** - 3000K-90+  
**40** - 4000K-80+      **359** - 3500K-90+  
                                 **409** - 4000K-90+

- 6 Finish**  
**HW** - high reflectance matte white  
**BT** - black texture  
**ST** - silver texture  
*For other RAL color, consult factory*

- 7 Voltage**  
**120/277**

**8 Length**

(Length A)	(Length B)	(Length C)
Length A (used for)	Length B (used for)	Length C (used for)
- all patterns	- all patterns	- PU
- IND	- PR - 2 lengths of 2	- PZ
- CON		
- CUS		

- 9 Configuration**  
**IND**<sup>1</sup> - individual fixture, 2' to 8' in 1' increments  
**CON** - continuous run > than 8', specify to nearest foot  
**CUS** - custom made to measure lengths (specify to nearest 1/8" of field dimensions)  
Standard Patterns (see page 6 for details):  
**PLL** - L left, (2) straights + (1) 90° corner, leg right  
**PLR** - L right, (2) straights + (1) 90° corner, leg left  
**PU** - U shape, (3) straight lengths + (2) 90° corners  
**PR** - Rectangle, (4) straight lengths + (4) 90° corners  
**PZ** - Z shape, (3) straight lengths + (2) 90° corners

- 10 Drivers/Controls**  
Wired - Static White:  
**O-10V** - 1% electronic dimming, multi-volt (120-277VAC) constant current driver (standard).  
**HILUME-H-ECO** - Lutron LDE1 Hi-lume® 1% Soft-On/Fade-to-Black  
**DALI** - DALI Dimming 120-277VAC, 1% dim  
Wireless - Static White:  
**ENLS-SR** - Enlighted sensor, energy metering (not available on 2' & 3' lengths)  
**ENLS-010** - Enlighted sensor with controller unit (not available on 2' & 3' lengths)  
**AWN-R-WH-SR** - Lutron Athena wireless node, RF only, energy metering, white  
**AWN-R-BL-SR** - Lutron Athena wireless node, RF only, energy metering, black  
**AWN-R-WH-010** - Lutron Athena wireless node, RF only, white  
**AWN-R-BL-010** - Lutron Athena wireless node, RF only, black  
**AWNS-OCC-WH-SR** - Lutron Athena wireless node, Occupancy & Daylight sensor, white, D4i/DALI-2  
**AWNS-OCC-BL-SR** - Lutron Athena wireless node, Occupancy & Daylight sensor, black, D4i/DALI-2

- 11 Options/Accessories**  
**EMC-PF**<sup>2</sup> - emergency circuit requires power feed located in last fixture section (for other locations consult factory)  
**PF**<sup>2</sup> - Extra power feed for additional circuiting  
**EMB** - emergency battery pack (not available for lengths under 4')

1 - Lengths less than 4' may have restrictions based upon wattage, lengths, drivers or other options.  
2 - Not available with IND (individual) configuration.

# Carisma 3" Direct

Linear Direct LED



## PROJECT:

## TYPE:

### Specifications

#### Construction

Extruded aluminum housing and reflector. Die-cast end caps match fixture body finish.

**Weight:** 3.25 lbs/ft (may vary based on configurations and accessories)

#### Optical

All lenses are snap-in, extruded acrylic, with a maximum length of 8'. Amerlux's proprietary acrylic lens provide excellent transmission while effectively concealing source image.

**PL** - Performance Lens provides high efficiency with controlled lens surface brightness.

#### LED

Our LED binning is within 3 MacAdam ellipse. Boards are configured for maximum flexibility resulting in even illumination no matter the fixture layout. LED boards are easily replaced in the field with just a Phillips screw driver.

**Color Temperature Options:** 2700K\*, 3000K, 3500K, 4000K

**CRI:** 80+, 90+

**R9:** 16 @ CRI 83; **R9:** >50 @ CRI 92

**Life:** 50,000+ hr., > 70% of initial lumens (L70)

\* Available in 90+ CRI only

#### Electrical

**Wiring:** Individual and "Beginning of Run" (BOR) fixtures are prewired with power cord. All configurations have quick connect power harnesses for row connections.

**Standard Wattage:** 5W/ft, 10W/ft.

**Optional Wattages:** 3W/ft, 4W/ft, 6W/ft, 7W/ft, 8W/ft, 9W/ft. (3W & 4W have a minimum length of 3'). For other wattages consult factory. Emergency circuit via remote inverter or auxiliary emergency power supply (by others).

**This product complies with IEEE C62.41 for surge endurance up to 2.5KV. Amerlux® recommends using additional surge protection with this unit (supplied by others), surge and over voltage damage is not covered under warranty.**

**EMC-PF** - Emergency circuit requires power feed to be located in last fixture section for continuous runs. For other locations consult factory. Not available for individual (IND) configuration.

**PF** - Extra power feed for additional circuiting. Not available for individual (IND) configuration.

#### Finish

All painted surfaces are premium powder coated baked on for maximum durability and color stability.

**HW** - High reflective matte White

**BT** - Black Texture

**ST** - Silver Texture

For special paint colors supply RAL and/or actual paint chip for factory consultation.

#### Configurations/Lengths

##### Straights:

**IND** - Individual fixtures are made of single standard lengths of 2 ft to 8 ft (in 1' increments). These are stand alone fixtures with matching End Caps, supplied with the mounting hardware. Lengths less than 4' may have restrictions based upon wattage, lengths, drivers or other options.

**CON** - Continuous runs, > 8' specified to nearest whole foot length in 1' increments. Runs made from standard lengths have End Caps at the beginning and end of run. Runs > 60' may require second power feed. Each housing has factory installed alignment pins. Mating fixtures are easily aligned and joined. Wiring is made fast and positive with molded quick connectors.

**CUS** - Custom made to measure runs are made to nearest 1/8" of customer supplied field measurements or drawings. Custom lengths use the same hardware for hairline joining.

#### Patterns:

**PXX** - Standard Patterns consist of 90° corners with standard lengths (4' to 8' in 1' increments), continuous runs or made to measure lengths. Depending upon complexity of the pattern drawings may be required from the customer. If ordering please give overall lengths.

**A'-B'-PLL** - L Left - (1) 90° Corner 2 segments. Specify overall segments: A' & B'

**A'-B'-PLR** - L Right - (1) 90° Corner 2 segments. Specify overall segments: A' & B'

**A'-B'-PR** - Rectangle - (4) 90° Corners joining 4 segments. Specify overall segments: A' & B'

**A'-B'-C'-PU** - U shape - (2) 90° Corners joining 3 segments. Specify overall segments: A', B', & C'

**A'-B'-C'-PZ** - Z shape - (2) 90° Corners joining 3 segments. Specify overall segments: A', B', & C'

**See page 6 for layouts.**

#### Mounting

The Carisma Direct is intended for pendant, surface or wall mounting.

**Pendant Mount-ASWxx** - Direct pendant mounted in center of ceiling tile or gypsum board ceiling (standard) i.e. ASWxx. Or if canopy is installed on a grid Tee runner add, **T** i.e. ASWxxT.

Cable is stranded stainless steel wire. All fittings are protected against rust and corrosion. Canopies are 5" x 1/4" die formed painted steel. Adjustment mechanism allows for infinite height adjustment. Amerlux recommends the required feed and non-feed suspensions based upon length and electrical options. Options include: color of canopy and power cord (black or white), length 4', 10' or 20', and mounting condition, in center of ceiling tile and in gypsum board ceiling (standard) i.e. ASWxx. Or if canopy is installed on a grid Tee runner add, **T** i.e. ASWxxT

**Wall Mount-WM** - Direct wall mounted using steel cleat bracket attached to fixture housing and wall bracket with set screws. Two bracket assemblies are used for each length. A third center bracket may be recommended. J-box required at feed locations.

**Surface Mount-SM** - Direct surface mounted - housing needs to be attached to solid structure above. Mounting holes are pre-drilled at factory. Some fixture disassembly and reassembly required. Mounting hardware by others.

#### Options

**EMB** - Emergency battery pack - 10W output power, 90 min of illumination time, up to 1300 lm of initial light output. Illuminated test-switch/charging indicator light is provided. Wattage consumption by EM: 2.5W/ft (4ft fixture), 1.25W/ft (8ft fixture). Request can be made to light up 4ft section on 8ft unit.

#### Certifications

Approved to UL standards for damp locations as tested by CSA

Intended for indoor use only

DLC Listing pending

#### Warranty

Amerlux's 5 year limited warranty. Please consult Amerlux website for details.

# Carisma 3" Direct

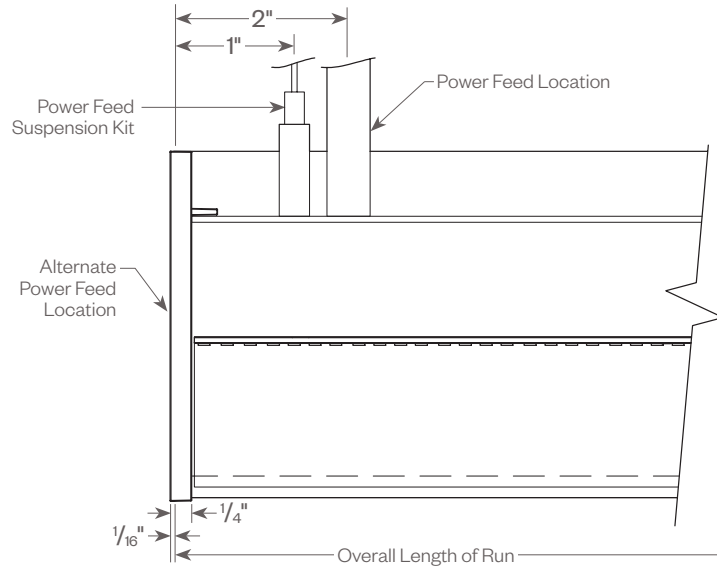
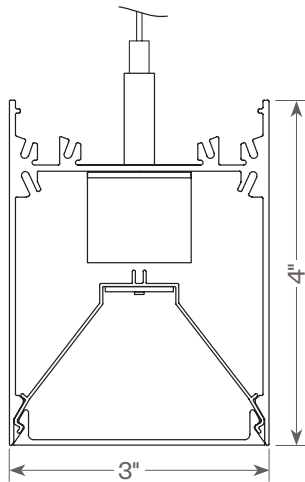
Linear Direct LED



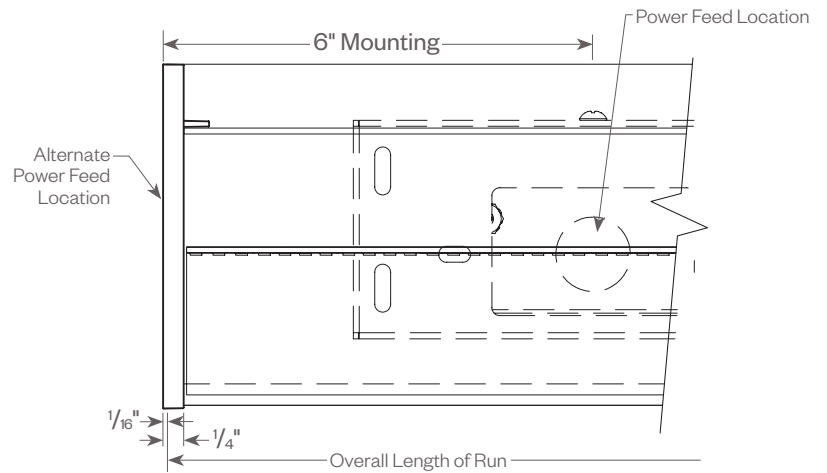
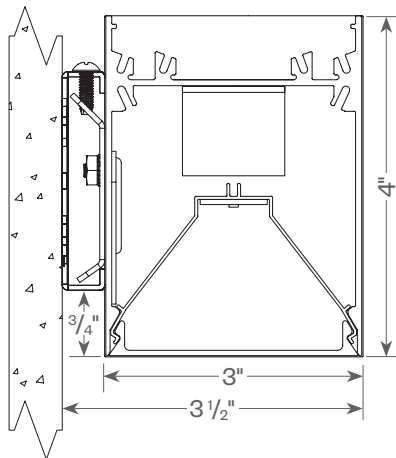
## PROJECT:

## TYPE:

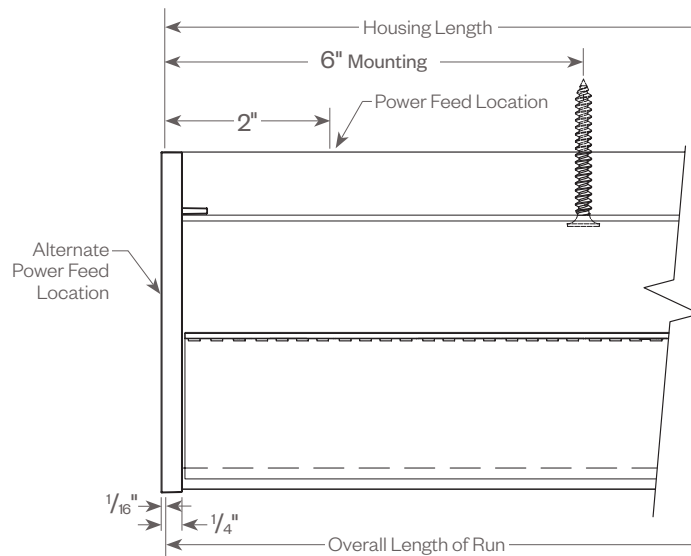
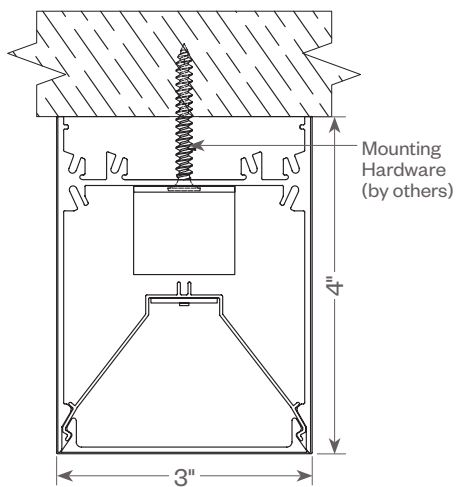
### Pendant



### Wall Mount



### Surface Mount



# Carisma 3" Direct

Linear Direct LED

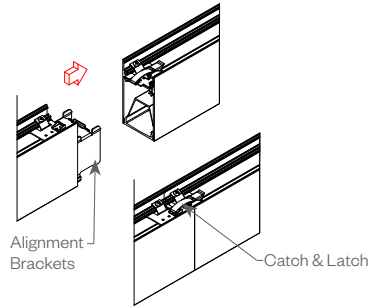


## PROJECT:

## TYPE:

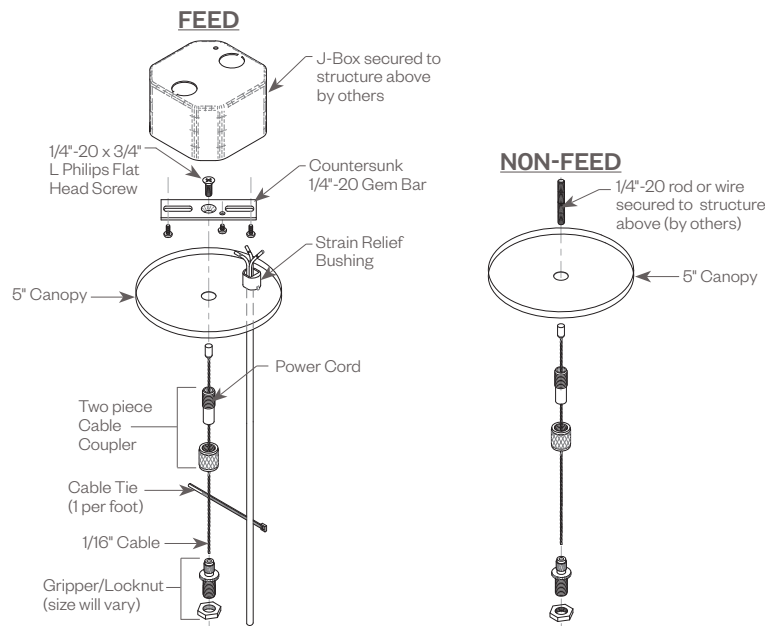
### TOOLLESS JOINING

Line up the two housings using the alignment brackets. Secure them together by using the Catch & Latch System on the top of the extrusion.



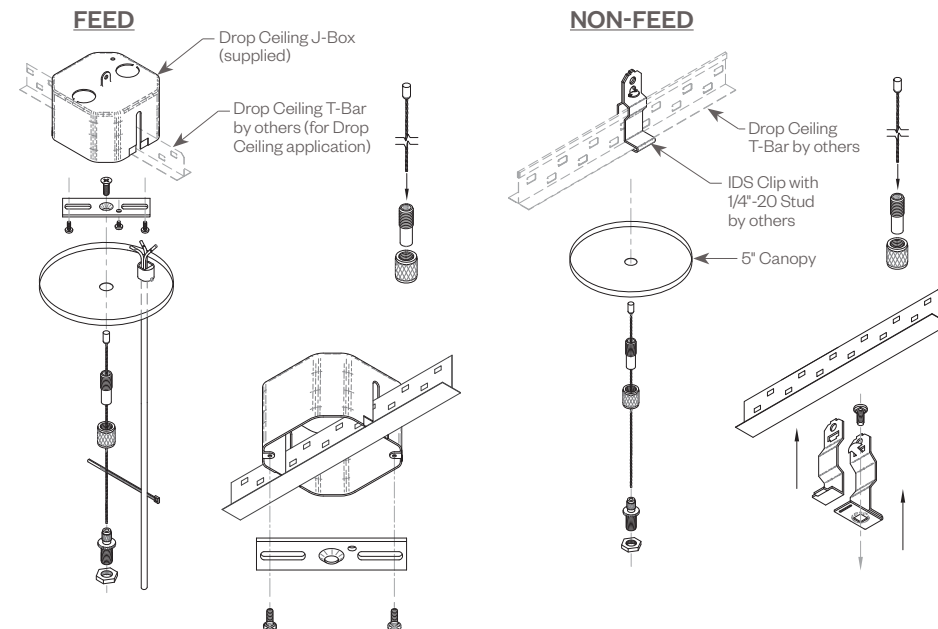
### CABLE KIT SUSPENSION OPTIONS:

#### CEILING OR GYPSUM BOARD (ASW10, ASW20, ASB10, ASB20)



Cat#	Length	Cord/Canopy	Application
ASW04	4'	white/white	ceiling tile/gypsum
ASW10	10'	white/white	ceiling tile/gypsum
ASW20	20'	white/white	ceiling tile/gypsum
ASB04	4'	black/black	ceiling tile/gypsum
ASB10	10'	black/black	ceiling tile/gypsum
ASB20	20'	black/black	ceiling tile/gypsum
ASW04T	4'	white/white	ceiling tee
ASW10T	10'	white/white	ceiling tee
ASW20T	20'	white/white	ceiling tee
ASB04T	4'	black/black	ceiling tee
ASB10T	10'	black/black	ceiling tee
ASB20T	20'	black/black	ceiling tee

#### TEE GRID OR SCREW SLOT (ASW10T, ASW20T, ASB10T, ASB20T)



# Carisma 3" Direct

Linear Direct LED



## PROJECT:

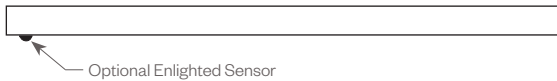
## TYPE:

### OPTIONAL SENSOR/RF NODE:

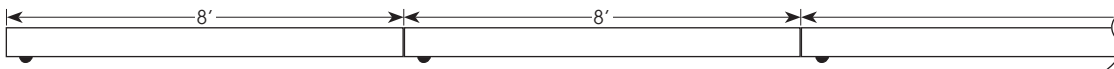
Amerlux® has partnered with control companies to create building environments that are safer and smarter than ever before. At the heart of our partnership is intelligent RF nodes and Smart Sensor, the most advanced digital wireless communication and sensors available today. Integrated into Amerlux products.

Minimum run length is 3' for wireless sensor and RF node.

### INDIVIDUAL (MIN 3' LENGTH)



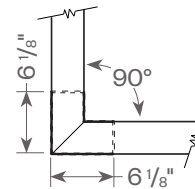
### RUNS



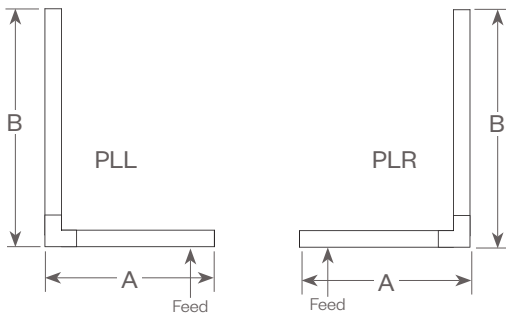
### CARISMA 2" PATTERNS:

#### Standard Patterns

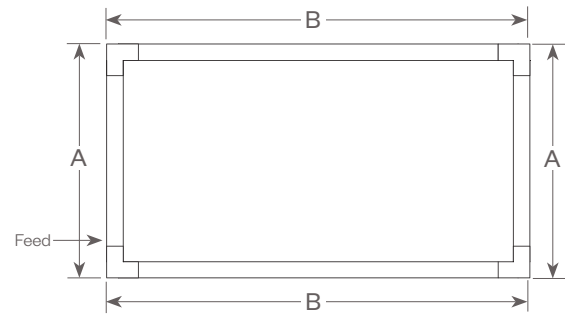
All corners are standard 90°, standard length legs.  
Use standard lengths: 4' to 8' in 1 foot increments.  
Continuous runs must be the same length in pairs for closed configuration.



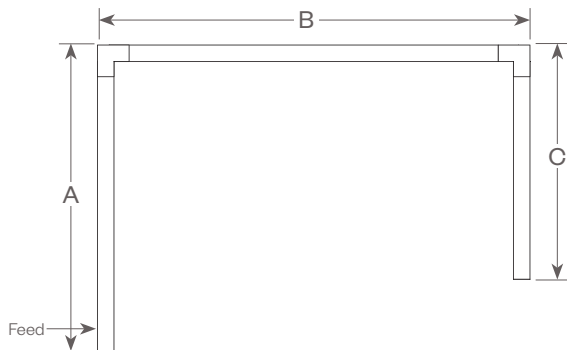
**Carisma 2" Lens**  
Mitered Lens



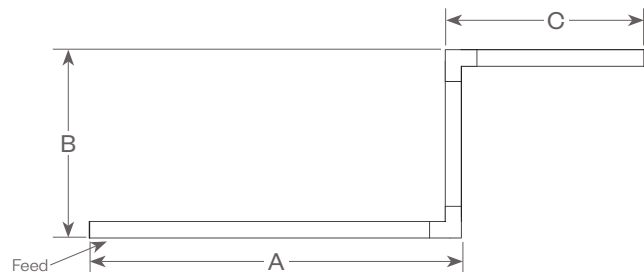
**PLL** - L Left, (2) straights + (1) 90° corner, leg right  
**PLR** - L Right, (2) straights + (1) 90° corner, leg left  
Provide overall lengths: A' & B'  
Nomenclature: A-B-PLL    A-B-PLR



**PR** - Closed Rectangle, (4) straight lengths + (4) 90° corners  
Provide overall lengths: A' & B'  
Nomenclature: A-B-PR



**PU** - Open U, (3) straight lengths + (2) 90° corners  
Provide overall lengths: A', B' & C'  
Nomenclature: A-B-C-PU



**PZ** - Open Z, (3) straight lengths + (2) 90° corners  
Provide overall lengths: A', B' & C'  
Nomenclature: A-B-C-PZ

# Carisma 3" Direct

Linear Direct LED



**PROJECT:**

**TYPE:**

**FIXTURE DATA:**

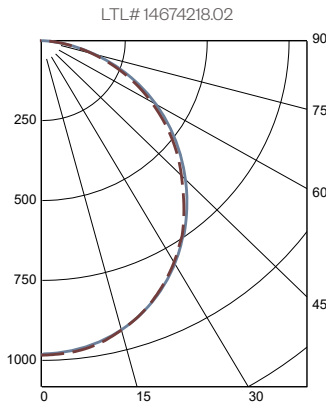
**MULTIPLYING FACTORS:** (Multiplying Factor is based on 3500K-80 120V IES file on website)

Wattage:	3W	4W	5W	6W	7W	8W	9W	10W
Factor:	0.59	0.78	1.0	1.20	1.40	1.60	1.79	1.98

CCT-CRI:	3000K-80	3500K-80	4000K-80	2700K-90	3000K-90	3500K-90	4000K-90
Factor:	0.97	1.0	1.02	0.90	0.92	0.92	0.94

**CARISMA 3" DIRECT PERFORMANCE LENS 5W 3500K 4FT**

Total Watts: 20  
 Total Lumens: 2632  
 Source: 192 White LED's



**ZONAL LUMEN SUMMARY**

Zone	Lumens	%Fixt
0-40	1216	46.2
0-60	2099	79.8
0-90	2632	100.0
90-180	0	0.0

Efficacy (lumens/watt) = 129.5 lm/W

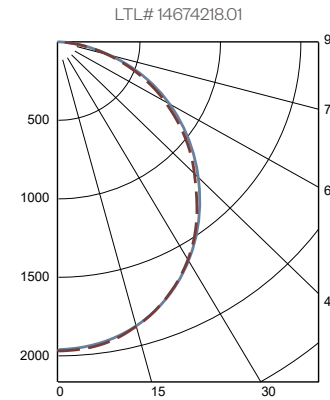
**COEFFICIENTS OF UTILIZATION**

RC	80			
RW	70	50	30	10
ROR				
0	119	119	119	119
1	109	104	100	96
2	99	91	84	79
3	90	80	72	65
4	83	71	62	56
5	76	63	55	48
6	70	57	48	42
7	65	52	43	37
8	61	47	39	33
9	57	44	35	30
10	53	40	32	24

Note: Values expressed as % of total lumen output delivered to the task surface.

**CARISMA 3" DIRECT PERFORMANCE LENS 10W 3000K 4FT**

Total Watts: 43  
 Total Lumens: 5253  
 Source: 192 White LED's



**ZONAL LUMEN SUMMARY**

Zone	Lumens	%Fixt
0-40	2431	46.3
0-60	4188	79.7
0-90	5254	100.0
90-180	0	0.0

Efficacy (lumens/watt) = 123.1 lm/W

**COEFFICIENTS OF UTILIZATION**

RC	80			
RW	70	50	30	10
ROR				
0	119	119	119	119
1	109	104	100	96
2	99	91	84	79
3	90	80	72	65
4	83	71	62	56
5	76	64	55	48
6	71	57	48	42
7	65	52	43	37
8	61	47	39	33
9	57	44	35	30
10	53	40	32	27

Note: Values expressed as % of total lumen output delivered to the task surface.

# Carisma 3" Direct

Linear Direct LED



## PROJECT:

## TYPE:

### DIMMING COMPATIBILITY:

Amerlux® Carisma fixtures are compatible with all major dimming protocols prevalent in the United States. Please see below for general compatibilities and wiring diagrams. Amerlux recommends testing your unique dimming configuration as the exact full configuration (Dimmer, Fixture Quantity, Voltage, etc) may affect dimming performance.

**--- NOTE: INFORMATION BELOW IS FOR WIRED DIMMERS ONLY. FOR WIRELESS DIMMERS, CONSULT FACTORY ---**

### 0-10V - DIMMING (Standard)

Integrates into a variety of building management and daylighting controls

#### Notes:

- 120VAC or 277VAC\*
- Dims down to 1% light output
- Requires interface to turn off power to driver
- Consult Dimming manufacturer for installation instructions - DO NOT SHARE NEUTRALS!

#### Compatible Dimmers\*:

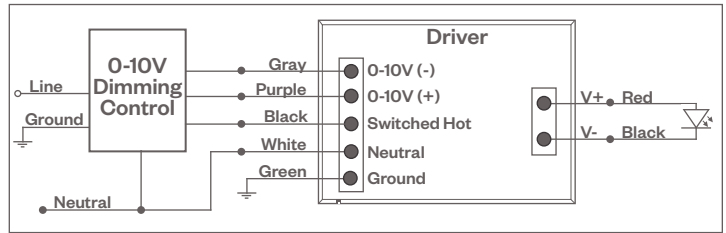
##### Wall Box

Lutron:	Wattstopper:	Leviton:
Diva - DVSTV	ADF-120277	Renoir II
Maestro - MS-Z101		
Nova-T - NTSTV-DV		

##### Center System

Lutron Grafikx Eye with GRX-TV1 Interface

### 0-10V Wiring Diagram



### LUTRON LDE1 DIMMING

Integrates into Lutron EcoSystem building management

#### Notes:

- 120VAC or 277VAC\*
- Dims down to 1% Soft-On/Fade-to-Black
- EcoSystem Control
- Consult Dimming manufacturer for installation instructions - DO NOT SHARE NEUTRALS!

#### Compatible Dimmers\*:

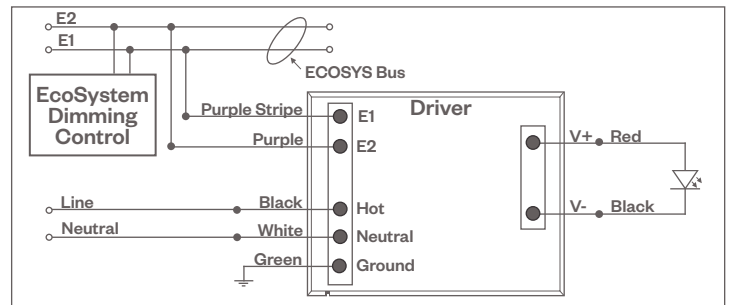
##### Lutron ECO System

Pow Pak Dimming Modules  
 Energi Savr Node  
 Grafik Eye QS/Homeworks  
 QS Control Unit  
 Quantum Hub  
 Homeworks QS/My Room

##### Central System

Lutron EcoSystem compatible controls

### Lutron LDE1 (HILUME-H-ECO) EcoSystem Digital Control Wiring Diagram



#### Notes:

- \* Driver is 277VAC dimmable with appropriate dimmer (by others). All provided wiring diagrams show 120VAC wiring colors and method. Please refer to 277VAC dimmer installation instructions for 277VAC wiring diagrams.
- † The absence of a dimmer from the lists above does not imply incompatibility. Please consult factory for compatibility inquiries.



# Carisma 3" Direct

Linear Direct LED



## PROJECT:

## TYPE:

### DIMMING COMPATIBILITY:

Amerlux® Carisma fixtures are compatible with all major dimming protocols prevalent in the United States. Please see below for general compatibilities and wiring diagrams. Amerlux recommends testing your unique dimming configuration as the exact full configuration (Dimmer, Fixture Quantity, Voltage, etc) may affect dimming performance.

**--- NOTE: INFORMATION BELOW IS FOR WIRED DIMMERS ONLY. FOR WIRELESS DIMMERS, CONSULT FACTORY ---**

### DALI - DALI DIMMING 120V-277V

Digital control protocol allows individual fixture control

#### Notes:

- 120VAC - 277VAC\*
- Dims down to 1% light output in most cases

#### Compatible Dimmers†:

##### Wall Box

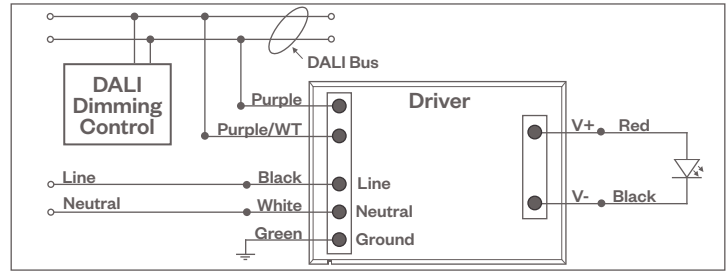
Leviton CD250 Controller

##### Center System

Dynalite

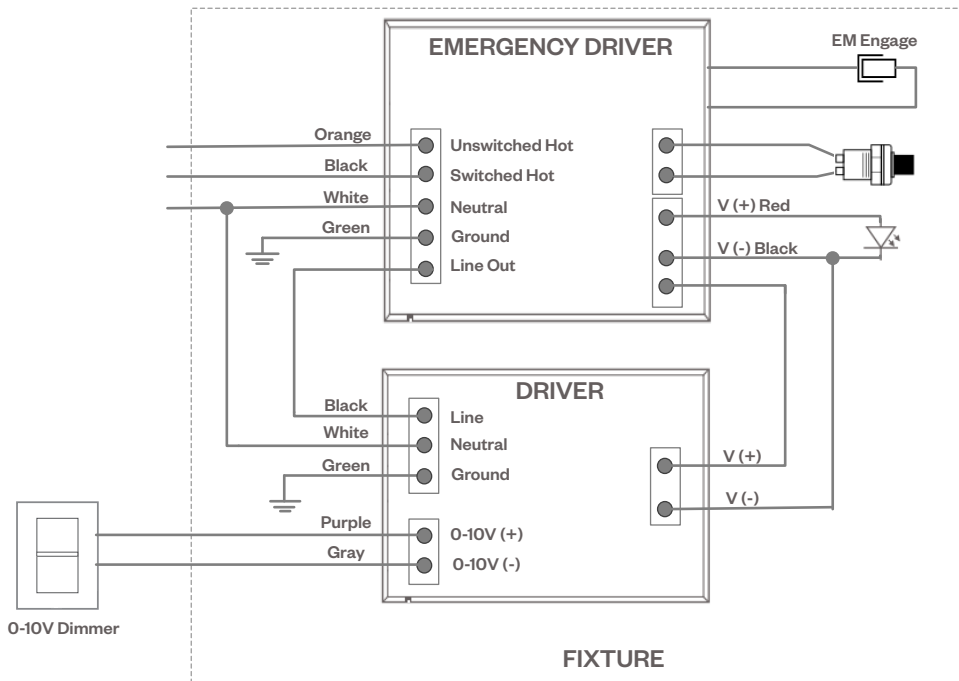
Fifth Light

DALI Wiring Diagram



### EMERGENCY FIXTURE WITH BUILT-IN BATTERY PACK (EMB) WIRING:

Note: EMB not available on lengths under 4'.



#### Notes:

\* Driver is 277VAC dimmable with appropriate dimmer (by others). All provided wiring diagrams show 120VAC wiring colors and method. Please refer to 277VAC dimmer installation instructions for 277VAC wiring diagrams.

† The absence of a dimmer from the lists above does not imply incompatibility. Please consult factory for compatibility inquiries.