

Carisma 2"

Linear Indirect LED



Features

Carisma Pendant is part of a family of architectural linear luminaires that offer excellent performance, quality, visuals and value. Carisma Indirect provides excellent efficacy that meets the stringent requirements for DLC Listing (DLC Listing pending).

The Carisma Pendant offers luminaires with 2" and 3" wide apertures, delivering seamless lighting as discrete individual fixtures, continuous rows or patterns. Carisma can be specified to the nearest 1/8" and is available in pendant, surface, wall and recessed mounting options, providing designers with the versatility to light up a space with their Carisma.

Product Overview

Type:	Indirect distribution with pendant or wall mounting
Wattage:	5W/ft, 10W/ft (or specify wattage between 3W/ft and 10W/ft)
Color Temp:	2700K*, 3000K, 3500K, 4000K (* 90+ CRI only)
CRI:	80+ or 90+
Dimming (wired):	0-10V, 1% dimming (standard) Lutron LDE1 Hi-lume® 1% Soft-On/Fade-to-Black DALI dimming, 1% dim
Dimming (wireless):	Enlighted Sensor Lutron Athena (integral wireless RF node)

PROJECT:

TYPE:

Fixture Summary *(see following pages for more information)*

Performance Chart

Wattage Per Foot	Delivered Lumens	LPW	Color Temp	CRI
5	2624	142.0	3500K	80+
10	4979	135.6	3500K	80+

*Data is based on 3500K-80 IES files available on website
Data is based on 4' fixture with Batwing lens*

Runs

Individual Runs: 2' - 8' (specify in 1' increments)

Continuous Runs: >8' (specify to the nearest foot)

Custom: Made to measure lengths available (specify to nearest 1/8" of field dimensions).

Requires approval drawings. Added cost & lead time.

Electrical Data

Wattage Per Foot		4'		8'	
		System Watts	Amps	System Watts	Amps
5	120V	19.8	0.17	40.2	0.34
	277V	20.5	0.07	40.1	0.15
10	120V	38.7	0.32	80.3	0.67
	277V	40	0.15	79	0.29

Electronic multi-volt (120-277VAC), constant current LED driver

Standard Patterns

"L"	"J"	"U"	"O"	"Z"	Wall to Ceiling	Custom
Yes	Yes	Yes	Yes	Yes	No	No



5 year limited warranty
AMERLUX LED



† DLC pending

Carisma 2" Indirect

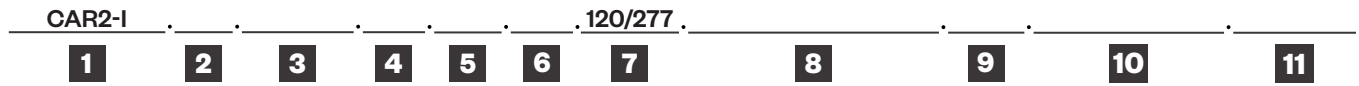
Linear Indirect LED



PROJECT:

TYPE:

Ordering Information



- | | | | | | | | | | | | | | | | | | | | | | | | | | | | | | |
|---|---|---------------------|--|---|--|------------|------------|------------|--|---------------------|---------------------|---------------------|--|----------------|----------------|------|--|-------|-----------------------|------|--|-------|--|--|--|-------|--|--|--|
| <p>1 Model
CAR2-I</p> <p>2 Optics
BAT - batwing lens</p> <p>3 Mounting
Pendant Mount (aircraft cable suspension)
 ASW04 - through ceiling tile or gyp board, white, 4'
 ASW10 - through ceiling tile or gyp board, white, 10'
 ASW20 - through ceiling tile or gyp board, white, 20'
 ASB04 - through ceiling tile or gyp board, black, 4'
 ASB10 - through ceiling tile or gyp board, black, 10'
 ASB20 - through ceiling tile or gyp board, black, 20'
 ASW04T - over ceiling tee, white, 4'
 ASW10T - over ceiling tee, white, 10'
 ASW20T - over ceiling tee, white, 20'
 ASB04T - over ceiling tee, black, 4'
 ASB10T - over ceiling tee, black, 10'
 ASB20T - over ceiling tee, black, 20'
 Wall Mount
 WM - wall mount
 * 4' (xxx04) is standard length, other lengths are additional charge</p> <p>4 Wattage (per foot)
 Standard:
 5 - 5W/ft
 10 - 10W/ft
 Optional:
 3 - 3W/ft (3' minimum length required)
 4 - 4W/ft (3' minimum length required)
 6 - 6W/ft
 7 - 7W/ft
 8 - 8W/ft
 9 - 9W/ft</p> <p>5 Color Temp
 80+ CRI:
 30 - 3000K-80+ 279 - 2700K-90+
 35 - 3500K-80+ 309 - 3000K-90+
 40 - 4000K-80+ 359 - 3500K-90+
 409 - 4000K-90+</p> <p>6 Finish
 HW - high reflectance matte white
 BT - black texture
 ST - silver texture
 <i>For other RAL color, consult factory</i></p> <p>7 Voltage
120/277</p> | <p>8 Length</p> <table border="1" style="width: 100%; border-collapse: collapse; text-align: center;"> <tr> <td colspan="2">x</td> <td colspan="2">x</td> </tr> <tr> <td>(Length A)</td> <td>(Length B)</td> <td>(Length C)</td> <td></td> </tr> <tr> <td>Length A (used for)</td> <td>Length B (used for)</td> <td>Length C (used for)</td> <td></td> </tr> <tr> <td>- all patterns</td> <td>- all patterns</td> <td>- PU</td> <td></td> </tr> <tr> <td>- IND</td> <td>- PR - 2 lengths of 2</td> <td>- PZ</td> <td></td> </tr> <tr> <td>- CON</td> <td></td> <td></td> <td></td> </tr> <tr> <td>- CUS</td> <td></td> <td></td> <td></td> </tr> </table> <p>9 Configuration
 IND¹ - individual fixture, 2' to 8' in 1' increments
 CON - continuous run > than 8', specify to nearest foot
 CUS - custom made to measure lengths (specify to nearest 1/8" of field dimensions)
 <i>Standard Patterns (see page 6 for details):</i>
 PLL - L left, (2) straights + (1) 90° corner, leg right
 PLR - L right, (2) straights + (1) 90° corner, leg left
 PU - U shape, (3) straight lengths + (2) 90° corners
 PR - Rectangle, (4) straight lengths + (4) 90° corners
 PZ - Z shape, (3) straight lengths + (2) 90° corners
 For custom patterns, submit EDR on amerlux.com</p> <p>10 Drivers/Controls
 Wired - Static White:
 0-10V - 1% electronic dimming, multi-volt (120-277VAC) constant current driver (standard).
 HILUME-H-ECO - Lutron LDE1 Hi-lume® 1% Soft-On/Fade-to-Black
 DALI - DALI Dimming 120-277VAC, 1% dim
 Wireless - Static White:
 ENLS-SR - Enlighted sensor, energy metering
 ENLS-010 - Enlighted sensor with controller unit
 AWN-R-WH-SR - Lutron Athena wireless node, RF only, white, D4i/DALI-2
 AWN-R-BL-SR - Lutron Athena wireless node, RF only, black, D4i/DALI-2
 AWN-R-WH-010 - Lutron Athena wireless node, RF only, white, 0-10V
 AWN-R-BL-010 - Lutron Athena wireless node, RF only, black, 0-10V
 AWN-S-OCC-WH-SR - Lutron Athena wireless node, Occupancy & Daylight sensor, white, D4i/DALI-2
 AWN-S-OCC-BL-SR - Lutron Athena wireless node, Occupancy & Daylight sensor, black, D4i/DALI-2</p> <p>11 Options/Accessories
 EMC-PF² - emergency circuit requires power feed located in last fixture section (for other locations consult factory)
 PF² - Extra power feed for additional circuiting
 EMB - emergency battery pack (not available for lengths under 4')</p> | x | | x | | (Length A) | (Length B) | (Length C) | | Length A (used for) | Length B (used for) | Length C (used for) | | - all patterns | - all patterns | - PU | | - IND | - PR - 2 lengths of 2 | - PZ | | - CON | | | | - CUS | | | |
| x | | x | | | | | | | | | | | | | | | | | | | | | | | | | | | |
| (Length A) | (Length B) | (Length C) | | | | | | | | | | | | | | | | | | | | | | | | | | | |
| Length A (used for) | Length B (used for) | Length C (used for) | | | | | | | | | | | | | | | | | | | | | | | | | | | |
| - all patterns | - all patterns | - PU | | | | | | | | | | | | | | | | | | | | | | | | | | | |
| - IND | - PR - 2 lengths of 2 | - PZ | | | | | | | | | | | | | | | | | | | | | | | | | | | |
| - CON | | | | | | | | | | | | | | | | | | | | | | | | | | | | | |
| - CUS | | | | | | | | | | | | | | | | | | | | | | | | | | | | | |

1 - Lengths less than 4' may have restrictions based upon wattage, lengths, drivers or other options.

2 - Not available for IND (individual) configuration.

Carisma 2" Indirect

Linear Indirect LED



PROJECT:

TYPE:

Specifications

Construction

Extruded aluminum housing and reflector. Die-cast end caps match fixture body finish.

Weight: 2.25 lbs/ft (may vary based on configurations and accessories)

Optical

All lenses are snap-in, extruded acrylic.

BAT - Batwing upright lens spreads light directly above fixture. 18" minimum distance between ceiling and top of fixture suggested.

LED

Our LED binning is within 3 MacAdam ellipse. Boards are configured for maximum flexibility resulting in even illumination no matter the fixture layout. LED boards are easily replaced in the field with just a Phillips screw driver.

Color Temperature Options: 2700K*, 3000K, 3500K, 4000K

CRI: 80+, 90+

R9: 16 @ CRI 83; **R9:** >50 @ CRI 92

Life: 50,000+ hr., > 70% of initial lumens (L70)

* Available in 90+ CRI only

Electrical

Wiring: Individual and "Beginning of Run" (BOR) fixtures are prewired with power cord. All configurations have quick connect power harnesses for row connections.

Standard Wattage: 5W/ft, 10W/ft.

Optional Wattages: 3W/ft, 4W/ft, 6W/ft, 7W/ft, 8W/ft, 9W/ft. (3W & 4W have a minimum length of 3'). For other wattages consult factory. Emergency circuit via remote inverter or auxiliary emergency power supply (by others).

This product complies with IEEE C62.41 for surge endurance up to 2.5KV.

Amerlux® recommends using additional surge protection with this unit (supplied by others), surge and over voltage damage is not covered under warranty.

EMC-PF - Emergency circuit requires power feed to be located in last fixture section for continuous runs. For other locations consult factory. Not available for individual (IND) configuration.

PF - Extra power feed for additional circuiting. Not available for individual (IND) configuration.

Finish

All painted surfaces are premium powder coated baked on for maximum durability and color stability.

HW - High reflective matte White

BT - Black Texture

ST - Silver Texture

For special paint colors supply RAL and/or actual paint chip for factory consultation.

Configurations/Lengths

Straights:

IND - Individual fixtures are made of single standard lengths of 2 ft to 8 ft (in 1' increments). These are stand alone fixtures with matching End Caps, supplied with the mounting hardware. Lengths less than 4' may have restrictions based upon wattage, lengths, drivers or other options.

CON - Continuous runs, > 8' specified to nearest whole foot length in 1' increments. Runs made from standard lengths have End Caps at the beginning and end of run. Runs > 60' may require second power feed. Each housing has factory installed alignment pins. Mating fixtures are easily aligned and joined. Wiring is made fast and positive with molded quick connectors.

CUS - Custom made to measure runs are made to nearest 1/8" of customer supplied field measurements or drawings. Custom lengths use the same hardware for hairline joining.

Patterns:

PXX - Standard Patterns consist of 90° corners with standard lengths (4' to 8' in 1' increments), continuous runs or made to measure lengths. Depending upon complexity of the pattern drawings may be required from the customer. If ordering please give overall lengths.

A'-B'-PLL - L Left - (1) 90° Corner 2 segments. Specify overall segments: A' & B'

A'-B'-PLR - L Right - (1) 90° Corner 2 segments. Specify overall segments: A' & B'

A'-B'-PR - Rectangle - (4) 90° Corners joining 4 segments. Specify overall segments: A' & B'

A'-B'-C'-PU - U shape - (2) 90° Corners joining 3 segments. Specify overall segments: A', B', & C'

A'-B'-C'-PZ - Z shape - (2) 90° Corners joining 3 segments. Specify overall segments: A', B', & C'

See page 6 for layouts.

Mounting

The Carisma Indirect is intended for pendant or wall mounting.

Pendant Mount-ASWxx - Indirect pendant mounted in center of ceiling tile or gypsum board ceiling (standard) i.e. ASWxx. Or if canopy is installed on a grid Tee runner add, **T** i.e. ASWxxT.

Cable is stranded stainless steel wire. All fittings are protected against rust and corrosion. Canopies are 5" x 1/4" die formed painted steel. Adjustment mechanism allows for infinite height adjustment. Amerlux recommends the required feed and non-feed suspensions based upon length and electrical options. Options include: color of canopy and power cord (black or white), length 4', 10' or 20', and mounting condition, in center of ceiling tile and in gypsum board ceiling (standard) i.e. ASWxx. Or if canopy is installed on a grid Tee runner add, **T** i.e. ASWxxT

Wall Mount-WM - Direct wall mounted using steel cleat bracket attached to fixture housing and wall bracket with set screws. Two bracket assemblies are used for each length. A third center bracket may be recommended. J-box required at feed locations.

Options

EMB - Emergency battery pack - 10W output power, 90 min of illumination time, up to 1300 lm of initial light output. Illuminated test-switch/charging indicator light is provided. Wattage consumption by EM: 2.5W/ft (4ft fixture), 1.25W/ft (8ft fixture). Request can be made to light up 4ft section on 8ft unit.

Certifications

Approved to UL standards for damp locations as tested by CSA
Intended for indoor use only
DLC Listing pending

Warranty

Amerlux's 5 year limited warranty. Please consult Amerlux website for details.

Carisma 2" Indirect

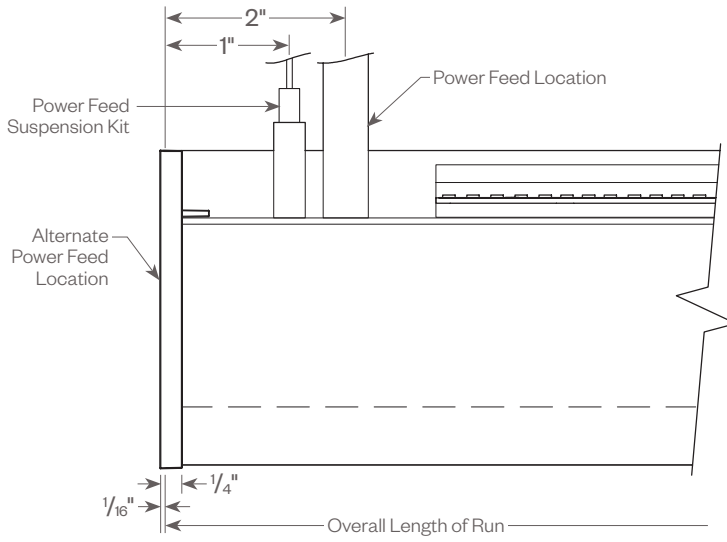
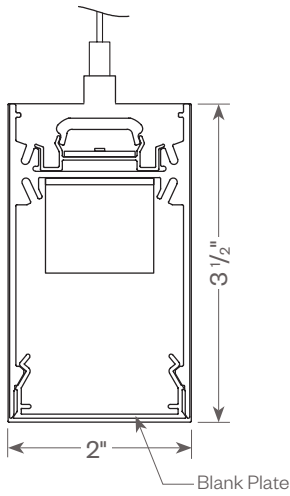
Linear Indirect LED



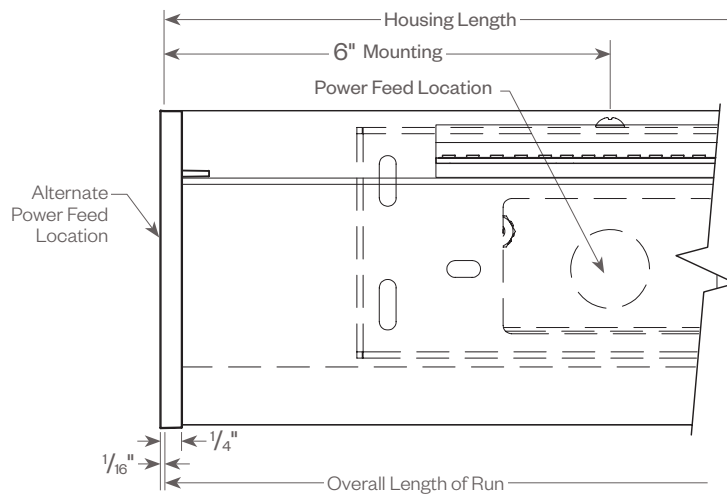
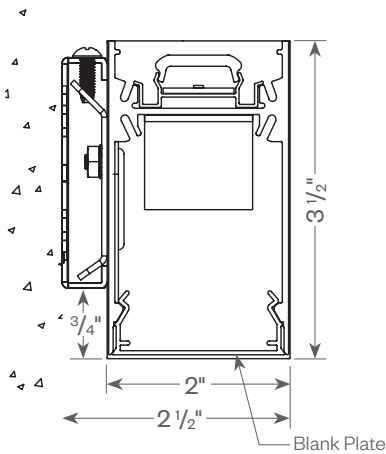
PROJECT:

TYPE:

PENDANT

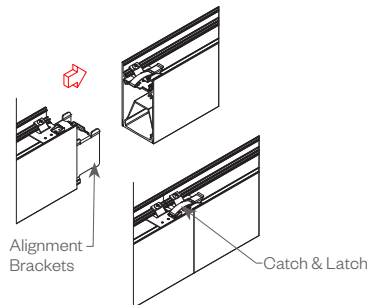


WALL MOUNT



TOOLLESS JOINING

Line up the two housings using the alignment brackets. Secure them together by using the Catch & Latch System on the top of the extrusion.



Carisma 2" Indirect

Linear Indirect LED

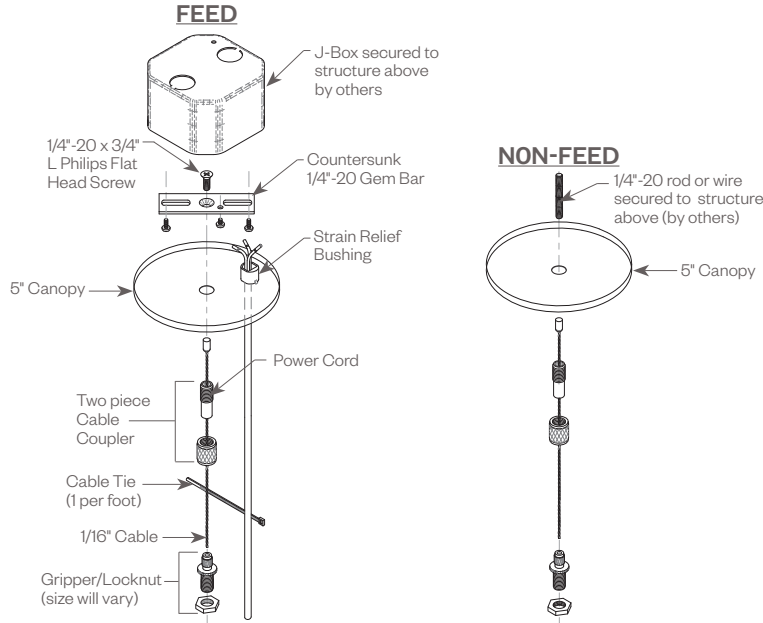


PROJECT:

TYPE:

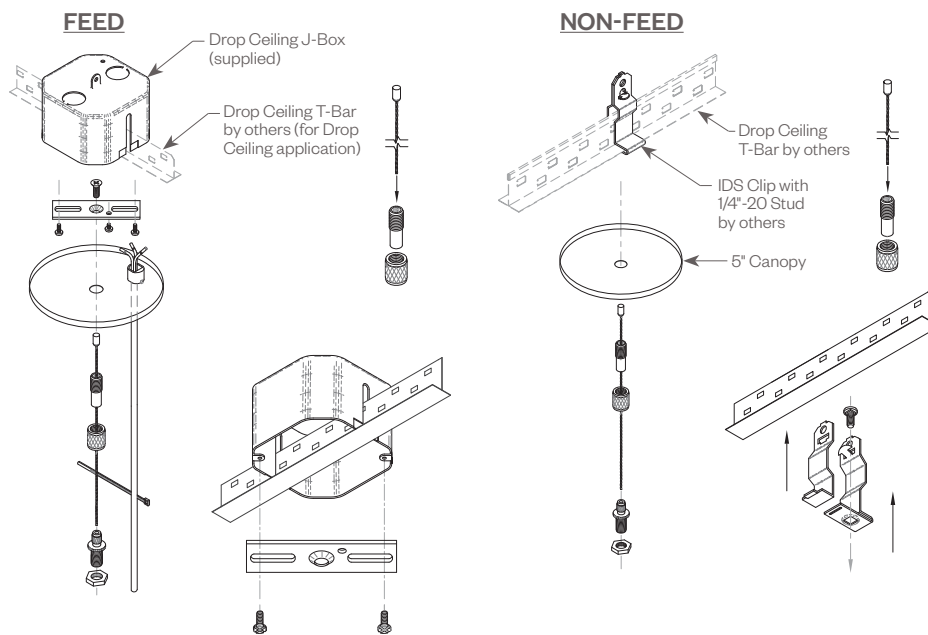
CABLE KIT SUSPENSION OPTIONS:

CEILING OR GYPSUM BOARD (ASW10, ASW20, ASB10, ASB20)



Cat#	Length	Cord/Canopy	Application
ASW04	4'	white/white	ceiling tile/gypsum
ASW10	10'	white/white	ceiling tile/gypsum
ASW20	20'	white/white	ceiling tile/gypsum
ASB04	4'	black/black	ceiling tile/gypsum
ASB10	10'	black/black	ceiling tile/gypsum
ASB20	20'	black/black	ceiling tile/gypsum
ASW04T	4'	white/white	ceiling tee
ASW10T	10'	white/white	ceiling tee
ASW20T	20'	white/white	ceiling tee
ASB04T	4'	black/black	ceiling tee
ASB10T	10'	black/black	ceiling tee
ASB20T	20'	black/black	ceiling tee

TEE GRID OR SCREW SLOT (ASW10T, ASW20T, ASB10T, ASB20T)



Carisma 2" Indirect

Linear Indirect LED



PROJECT:

TYPE:

OPTIONAL SENSOR/RF NODE:

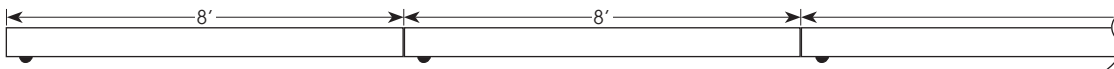
Amerlux® has partnered with control companies to create building environments that are safer and smarter than ever before. At the heart of our partnership is intelligent RF nodes and Smart Sensor, the most advanced digital wireless communication and sensors available today. Integrated into Amerlux products.

Minimum run length is 3' for wireless sensor and RF node.

INDIVIDUAL (MIN 3' LENGTH)



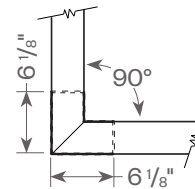
RUNS



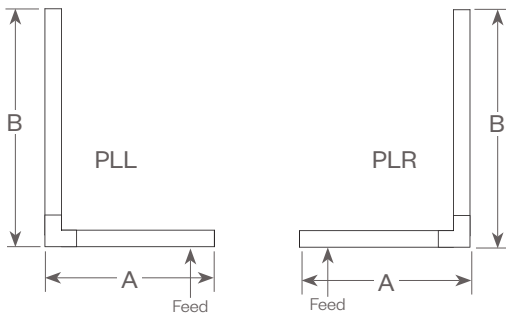
CARISMA 2" PATTERNS:

Standard Patterns

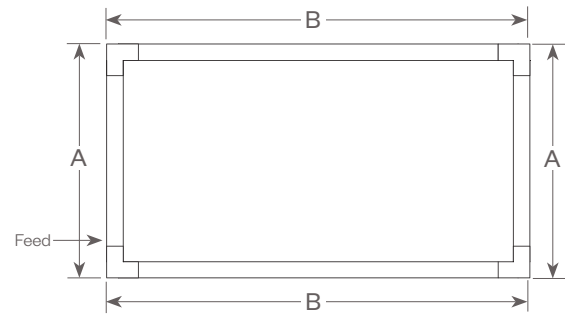
All corners are standard 90°, standard length legs.
Use standard lengths: 4' to 8' in 1 foot increments.
Continuous runs must be the same length in pairs for closed configuration.



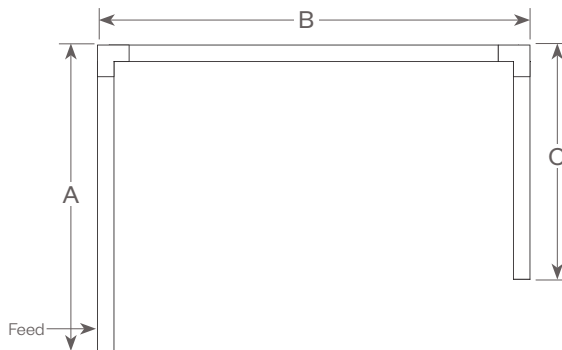
Carisma 2" Lens
Mitered Lens



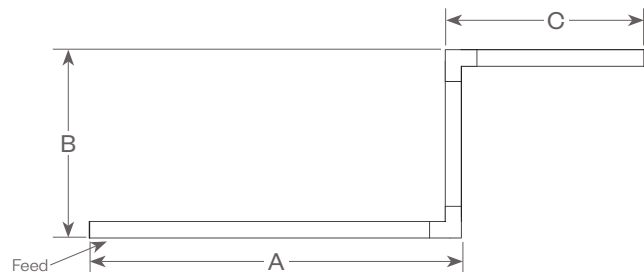
PLL - L Left, (2) straights + (1) 90° corner, leg right
PLR - L Right, (2) straights + (1) 90° corner, leg left
Provide overall lengths: A' & B'
Nomenclature: A-B-PLL A-B-PLR



PR - Closed Rectangle, (4) straight lengths + (4) 90° corners
Provide overall lengths: A' & B'
Nomenclature: A-B-PR



PU - Open U, (3) straight lengths + (2) 90° corners
Provide overall lengths: A', B' & C'
Nomenclature: A-B-C-PU



PZ - Open Z, (3) straight lengths + (2) 90° corners
Provide overall lengths: A', B' & C'
Nomenclature: A-B-C-PZ

Carisma 2" Indirect

Linear Indirect LED



PROJECT:

TYPE:

FIXTURE DATA:

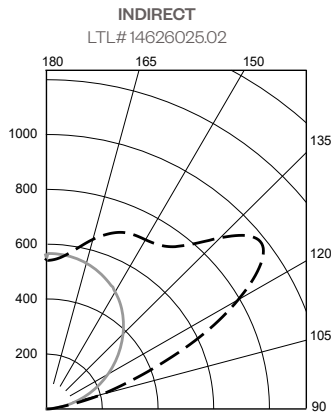
MULTIPLYING FACTORS: (Multiplying Factor is based on 3500K-80 120V IES file on website)

Wattage:	3W	4W	5W	6W	7W	8W	9W	10W
Factor:	0.59	0.78	1.0	1.20	1.40	1.60	1.79	1.98

CCT-CRI:	3000K-80	3500K-80	4000K-80	2700K-90	3000K-90	3500K-90	4000K-90
Factor:	0.97	1.0	1.02	0.90	0.92	0.92	0.94

CARISMA 2" INDIRECT PERFORMANCE LENS 5W 3500K 4FT

Total Watts: 19
Total Lumens: 2624
Source: 192 White LED's



ZONAL LUMEN SUMMARY

Zone	Lumens	%Fixt
0-40	0	0
0-60	0	0
0-90	0	0
90-180	2624	100.0

Efficacy (lumens/watt) = 142.0 lm/W

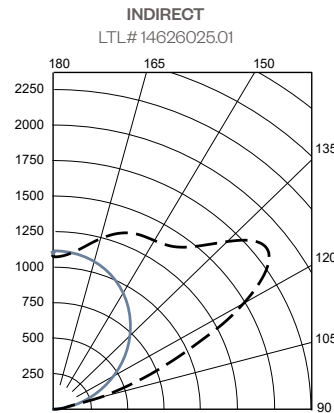
COEFFICIENTS OF UTILIZATION

RC	80			
RW	70	50	30	10
RCR				
0	95	95	95	95
1	87	83	79	76
2	79	72	66	62
3	72	63	57	51
4	65	56	48	43
5	60	49	42	36
6	55	44	36	31
7	50	39	32	27
8	47	35	28	23
9	43	32	25	20
10	40	29	22	18

Note: Values expressed as % of total lumen output delivered to the task surface.

CARISMA 2" DIRECT/INDIRECT PERFORMANCE LENS 10W/10W 3500K 4FT

Total Watts: 37
Total Lumens: 4979
Source: 192 White LED's



ZONAL LUMEN SUMMARY

Zone	Lumens	%Fixt
0-40	0	0
0-60	0	0
0-90	0	0
90-180	4979	100.0

Efficacy (lumens/watt) = 135.6 lm/W

COEFFICIENTS OF UTILIZATION

RC	80			
RW	70	50	30	10
RCR				
0	95	95	95	95
1	87	83	79	76
2	79	72	66	62
3	72	63	57	51
4	65	56	48	43
5	60	49	42	36
6	55	44	36	31
7	50	39	32	27
8	47	35	28	23
9	43	32	25	20
10	40	29	22	18

Note: Values expressed as % of total lumen output delivered to the task surface.

Carisma 2" Indirect

Linear Indirect LED



PROJECT:

TYPE:

DIMMING COMPATIBILITY:

Amerlux® Carisma fixtures are compatible with all major dimming protocols prevalent in the United States. Please see below for general compatibilities and wiring diagrams. Amerlux recommends testing your unique dimming configuration as the exact full configuration (Dimmer, Fixture Quantity, Voltage, etc) may affect dimming performance.

--- NOTE: INFORMATION BELOW IS FOR WIRED DIMMERS ONLY. FOR WIRELESS DIMMERS, CONSULT FACTORY ---

0-10V - DIMMING (Standard)

Integrates into a variety of building management and daylighting controls

Notes:

- 120VAC or 277VAC*
- Dims down to 1% light output
- Requires interface to turn off power to driver
- Consult Dimming manufacturer for installation instructions - DO NOT SHARE NEUTRALS!

Compatible Dimmers*:

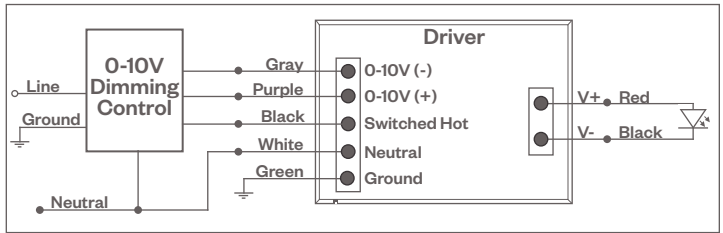
Wall Box

Lutron:	Wattstopper:	Leviton:
Diva - DVSTV	ADF-120277	Renoir II
Maestro - MS-Z101		
Nova-T - NTSTV-DV		

Center System

Lutron Grafikx Eye with GRX-TV1 Interface

0-10V Wiring Diagram



LUTRON LDE1 DIMMING

Integrates into Lutron EcoSystem building management

Notes:

- 120VAC or 277VAC*
- Dims down to 1% Soft-On/Fade-to-Black
- EcoSystem Control
- Consult Dimming manufacturer for installation instructions - DO NOT SHARE NEUTRALS!

Compatible Dimmers*:

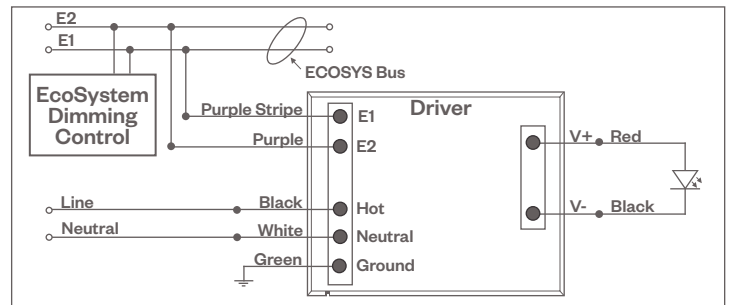
Lutron ECO System

Pow Pak Dimming Modules
 Energi Savr Node
 Grafik Eye QS/Homeworks
 QS Control Unit
 Quantum Hub
 Homeworks QS/My Room

Central System

Lutron EcoSystem compatible controls

Lutron LDE1 (HILUME-H-ECO) EcoSystem Digital Control Wiring Diagram



Notes:

- * Driver is 277VAC dimmable with appropriate dimmer (by others). All provided wiring diagrams show 120VAC wiring colors and method. Please refer to 277VAC dimmer installation instructions for 277VAC wiring diagrams.
- † The absence of a dimmer from the lists above does not imply incompatibility. Please consult factory for compatibility inquiries.

Carisma 2" Indirect

Linear Indirect LED



PROJECT:

TYPE:

DIMMING COMPATIBILITY:

Amerlux® Carisma fixtures are compatible with all major dimming protocols prevalent in the United States. Please see below for general compatibilities and wiring diagrams. Amerlux recommends testing your unique dimming configuration as the exact full configuration (Dimmer, Fixture Quantity, Voltage, etc) may affect dimming performance.

--- NOTE: INFORMATION BELOW IS FOR WIRED DIMMERS ONLY. FOR WIRELESS DIMMERS, CONSULT FACTORY ---

DALI - DALI DIMMING 120V-277V

Digital control protocol allows individual fixture control

Notes:

- 120VAC - 277VAC*
- Dims down to 1% light output in most cases

Compatible Dimmers†:

Wall Box

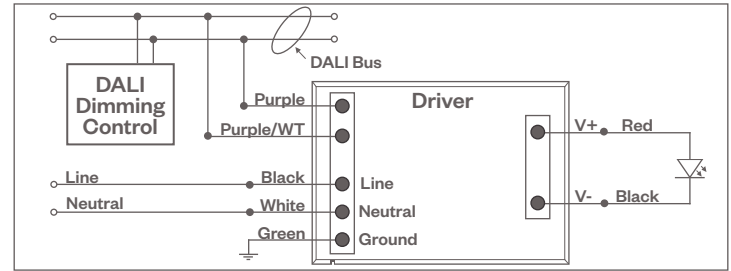
Leviton CD250 Controller

Center System

Dynalite

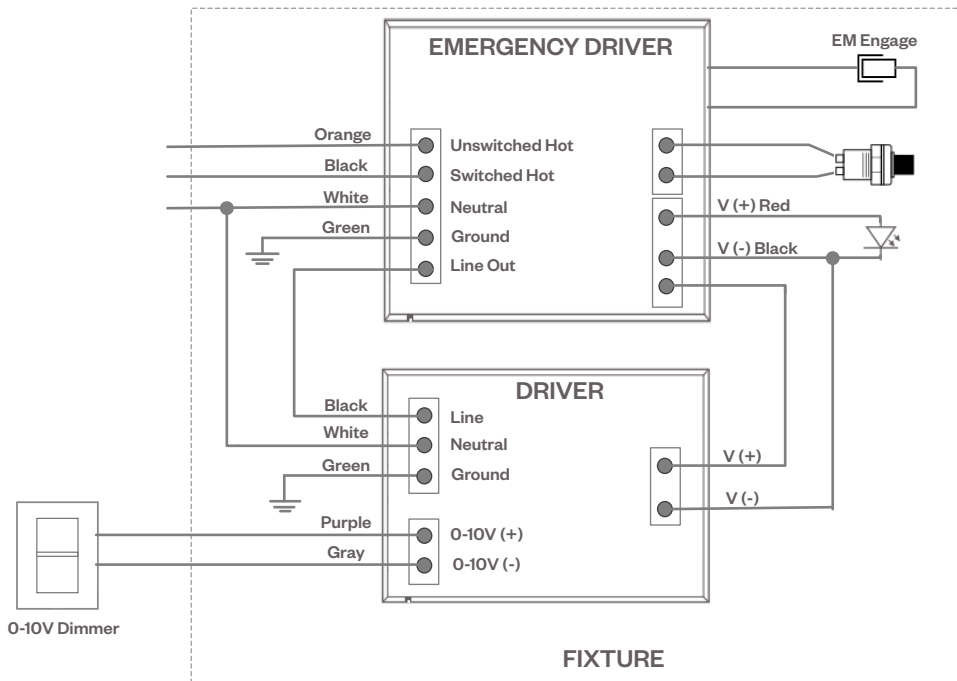
Fifth Light

DALI Wiring Diagram



EMERGENCY FIXTURE WITH BUILT-IN BATTERY PACK (EMB) WIRING:

Note: EMB not available on lengths under 4'.



Notes:

* Driver is 277VAC dimmable with appropriate dimmer (by others). All provided wiring diagrams show 120VAC wiring colors and method. Please refer to 277VAC dimmer installation instructions for 277VAC wiring diagrams.

† The absence of a dimmer from the lists above does not imply incompatibility. Please consult factory for compatibility inquiries.