

# Carisma 3"

## Linear Indirect



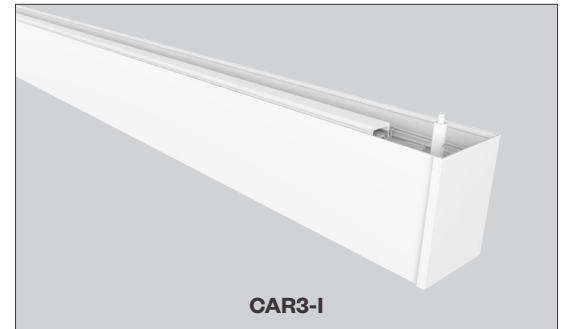
PROJECT:

TYPE:

### Features

Carisma Pendant is part of a family of architectural linear luminaires that offer excellent performance, quality, visuals and value. Carisma Indirect provides excellent efficacy that meets the stringent requirements for DLC Listing (DLC Listing pending).

The Carisma Pendant offers luminaires with 2" and 3" wide apertures, delivering seamless lighting as discrete individual fixtures, continuous rows or patterns. Carisma can be specified to the nearest 1/8" and is available in pendant, surface, wall and recessed mounting options, providing designers with the versatility to light up a space with their Carisma.



### Product Overview

Type: Indirect distribution with Pendant or Wall Mounting  
 Wattage: 5W/ft, 10W/ft (or specify wattage between 3W/ft and 10W/ft)  
 Color Temp: 2700K\*, 3000K, 3500K, 4000K (\*90+ CRI only)  
 CRI: 80+ typ. or 90+ typ.  
 Dimming (wired): 0-10V, 1% dimming, (standard)  
 Lutron LDE1 Hi-lume® 1% Soft-On/Fade-to-Black  
 DALI, 1% dimming  
 Dimming (wireless): Enlighted Sensor  
 Lutron Athena (integral wireless RF node)

### Certifications



### Fixture Summary

#### Performance Data

| Wattage per Foot | Delivered Lumens | LPW   | Color Temp | CRI |
|------------------|------------------|-------|------------|-----|
| 5                | 2624             | 142.0 | 3500K      | 80+ |
| 10               | 4979             | 135.6 | 3500K      | 80+ |

Data is based on 3500K-80 120V IES files available on website.

Data is based on 4' fixture with Batwing lens.

#### Runs

Individual Runs: 2' - 8' (specify in 1' increments).

Continuous Runs: > 8' (specify to the nearest foot).

Custom: Made to measure lengths available (specify to nearest 1/8" of field dimensions).

Requires approval drawings. Added cost & lead time.

#### Electrical Data

| Wattage per Foot | Voltage | 4'           |      | 8'           |      |
|------------------|---------|--------------|------|--------------|------|
|                  |         | System Watts | Amps | System Watts | Amps |
| 5                | 120V    | 19.8         | 0.17 | 40.2         | 0.34 |
|                  | 277V    | 20.5         | 0.07 | 40.1         | 0.15 |
| 10               | 120V    | 38.7         | 0.32 | 80.3         | 0.67 |
|                  | 277V    | 40           | 0.15 | 79           | 0.29 |

Electronic multi-volt (120-277VAC), constant current LED driver.

#### Standard Patterns

|     |     |     |     |     | Wall to Ceiling | Custom |
|-----|-----|-----|-----|-----|-----------------|--------|
| Yes | Yes | Yes | Yes | Yes | No              | No     |

# Carisma 3"

Linear Indirect



PROJECT:

TYPE:

## Ordering Information

|        |   |   |         |   |   |   |   |   |    |    |
|--------|---|---|---------|---|---|---|---|---|----|----|
| CAR3-I |   |   | 120/277 |   |   |   |   |   |    |    |
| 1      | 2 | 3 | 4       | 5 | 6 | 7 | 8 | 9 | 10 | 11 |

| 1 | Model  | 2 | Optics           | 3 | Mounting  |
|---|--------|---|------------------|---|---|
|   | CAR3-I |   | BAT batwing lens |   | <p><b>Pendant Mount</b> (<i>aircraft cable suspension</i>)</p> <p><b>ASW04</b> through ceiling tile or gyp board, white, 4'*</p> <p><b>ASW10</b> through ceiling tile or gyp board, white, 10'</p> <p><b>ASW20</b> through ceiling tile or gyp board, white, 20'</p> <p><b>ASB04</b> through ceiling tile or gyp board, black, 4'*</p> <p><b>ASB10</b> through ceiling tile or gyp board, black, 10'</p> <p><b>ASB20</b> through ceiling tile or gyp board, black, 20'</p> <p><b>ASW04T</b> over ceiling tee, white, 4'*</p> <p><b>ASW10T</b> over ceiling tee, white, 10'</p> <p><b>ASW20T</b> over ceiling tee, white, 20'</p> <p><b>ASB04T</b> over ceiling tee, black, 4'*</p> <p><b>ASB10T</b> over ceiling tee, black, 10'</p> <p><b>ASB20T</b> over ceiling tee, black, 20'</p> <p><i>* 4' (xxx04) is standard length, other lengths are additional charge</i></p> |
|   |        |   |                  |   | <p><b>Wall Mount</b></p> <p><b>WM</b> wall mount</p>  |

| 4 | Wattage (per foot)  | 5 | Color Temp   | 6 | Finish  | 7 | Voltage        |
|---|---|---|--|---|---|---|----------------|
|   | <p>Standard      Optional</p> <p><b>5</b> 5W/ft      <b>3*</b> 3W/ft</p> <p><b>10</b> 10W/ft    <b>4*</b> 4W/ft</p> <p><b>6</b> 6W/ft</p> <p><b>7</b> 7W/ft</p> <p><b>8</b> 8W/ft</p> <p><b>9</b> 9W/ft</p> <p><i>* 3' min. length required</i></p> |   | <p>80+ CRI      90+ CRI</p> <p><b>30</b> 3000K-80+    <b>279</b> 2700K-90+</p> <p><b>35</b> 3500K-80+    <b>309</b> 3000K-90+</p> <p><b>40</b> 4000K-80+    <b>359</b> 3500K-90+</p> <p><b>409</b> 4000K-90+</p> |   | <p><b>HW</b> high reflectance matte white</p> <p><b>BT</b> black texture</p> <p><b>ST</b> silver texture</p> <p><i>For other RAL color, consult factory</i></p> |   | <b>120/277</b> |

| 8              | Length  | 9        | Configuration |   |  |          |          |          |  |                |                |      |  |       |                       |      |  |       |  |  |  |       |  |  |  |   |
|----------------|---|----------|---------------|---|--|----------|----------|----------|--|----------------|----------------|------|--|-------|-----------------------|------|--|-------|--|--|--|-------|--|--|--|---|
|                | <table border="1"> <tr> <td colspan="2">X</td> <td colspan="2">X</td> </tr> <tr> <td>Length A</td> <td>Length B</td> <td colspan="2">Length C</td> </tr> <tr> <td>- all patterns</td> <td>- all patterns</td> <td colspan="2">- PU</td> </tr> <tr> <td>- IND</td> <td>- PR (2 lengths of 2)</td> <td colspan="2">- PZ</td> </tr> <tr> <td>- CON</td> <td></td> <td colspan="2"></td> </tr> <tr> <td>- CUS</td> <td></td> <td colspan="2"></td> </tr> </table> | X        |               | X |  | Length A | Length B | Length C |  | - all patterns | - all patterns | - PU |  | - IND | - PR (2 lengths of 2) | - PZ |  | - CON |  |  |  | - CUS |  |  |  | <p><b>IND</b><sup>1</sup> individual fixture, 2' to 8' in 1' increments</p> <p><b>CON</b> continuous run &gt; than 8', specify to nearest foot</p> <p><b>CUS</b> custom made to measure lengths (<i>specify to nearest 1/8" of field dimensions</i>)</p> <p><b>Standard Patterns</b> (<i>see pg 6 for details</i>)</p> <p><b>PLL</b> L left, (2) straights + (1) 90° corner, leg right</p> <p><b>PLR</b> L right, (2) straights + (1) 90° corner, leg left</p> <p><b>PU</b> U shape, (3) straight lengths + (2) 90° corners</p> <p><b>PR</b> Rectangle shape, (4) straight lengths + (4) 90° corners</p> <p><b>PZ</b> Z shape, (3) straight lengths + (2) 90° corners</p> |
| X              |   | X        |               |   |  |          |          |          |  |                |                |      |  |       |                       |      |  |       |  |  |  |       |  |  |  |   |
| Length A       | Length B  | Length C |               |   |  |          |          |          |  |                |                |      |  |       |                       |      |  |       |  |  |  |       |  |  |  |   |
| - all patterns | - all patterns  | - PU     |               |   |  |          |          |          |  |                |                |      |  |       |                       |      |  |       |  |  |  |       |  |  |  |   |
| - IND          | - PR (2 lengths of 2)   | - PZ     |               |   |  |          |          |          |  |                |                |      |  |       |                       |      |  |       |  |  |  |       |  |  |  |   |
| - CON          |   |          |               |   |  |          |          |          |  |                |                |      |  |       |                       |      |  |       |  |  |  |       |  |  |  |   |
| - CUS          |   |          |               |   |  |          |          |          |  |                |                |      |  |       |                       |      |  |       |  |  |  |       |  |  |  |   |

| 10 | Drivers/Controls   | 11 | Options/Accessories  |
|----|--|----|--|
|    | <p><b>Wired</b></p> <p><b>0-10V</b> 1% electronic dimming, multi-volt 120-277VAC constant current driver (<i>standard</i>).</p> <p><b>HILUME-H-ECO</b> Lutron LDE1 Hi-lume® 1% dim Soft-On/Fade-to-Black</p> <p><b>DALI</b> DALI dimming 120-277VAC, 1% dim</p> <p><b>Wireless</b></p> <p><b>ENLS-SR</b> Enlighted sensor, energy metering (<i>not available on 2' &amp; 3' lengths</i>)</p> <p><b>ENLS-010</b> Enlighted sensor with controller unit (<i>not available on 2' &amp; 3' lengths</i>)</p> <p><b>AWN-R-WH-SR</b> Lutron Athena wireless node, RF only, white, D4i/DALI-2</p> <p><b>AWN-R-BL-SR</b> Lutron Athena wireless node, RF only, black, D4i/DALI-2</p> <p><b>AWN-R-WH-010</b> Lutron Athena wireless node, RF only, white, 0-10V</p> <p><b>AWN-R-BL-010</b> Lutron Athena wireless node, RF only, black, 0-10V</p> <p><b>AWN-R-OCC-WH-SR</b> Lutron Athena wireless node, Occupancy &amp; Daylight sensor, white, D4i/DALI-2</p> <p><b>AWN-R-OCC-BL-SR</b> Lutron Athena wireless node, Occu pancy &amp; Daylight sensor, black, D4i/DALI-2</p> |    | <p><b>EMC-PF</b><sup>2</sup> emergency circuit requires power feed located in last fixture section (<i>for other locations consult factory</i>)</p> <p><b>PF</b><sup>2</sup> Extra power feed for additional circuiting</p> <p><b>EMB</b> emergency battery pack (<i>not available for lengths under 4'</i>)</p> |

1 Lengths less than 4' may have restrictions based upon wattage, lengths, drivers or other options.  
 2 Not available with IND (individual) configuration.

# Carisma 3"

## Linear Indirect



PROJECT:

TYPE:

### Specifications

#### Construction

Extruded aluminum housing and reflector. Die-cast end caps match fixture body finish.

Weight: 3.25 lbs/ft (may vary based on configurations and accessories)

#### Optical

All lenses are snap-in, extruded acrylic.

**BAT** - Batwing upright lens spreads light directly above fixture. 18" minimum distance between ceiling and top of fixture suggested.

#### LED

Our LED binning is within 3 MacAdam ellipse. Boards are configured for maximum flexibility resulting in even illumination no matter the fixture layout. LED boards are easily replaced in the field with just a Phillips screw driver.

Color Temperature Options: 2700K\*, 3000K, 3500K, 4000K

CRI: 80+, 90+

R9: 16 @ CRI 83; R9: >50 @ CRI 92

Life: 50,000+ hr., > 70% of initial lumens (L70)

\* Available in 90+ CRI only

#### Electrical

Wiring: Individual and "Beginning of Run" (BOR) fixtures are prewired with power cord. All configurations have quick connect power harnesses for row connections. Standard Wattage: 5W/ft, 10W/ft.

Optional Wattages: 3W/ft, 4W/ft, 6W/ft, 7W/ft, 8W/ft, 9W/ft. (3W & 4W have a minimum length of 3'). For other wattages consult factory.

Emergency circuit via remote inverter or auxiliary emergency power supply (by others).

**This product complies with IEEE C62.41 for surge endurance up to 2.5KV. Amerlux® recommends using additional surge protection with this unit (supplied by others), surge and over voltage damage is not covered under warranty.**

**EMC-PF** - Emergency circuit requires power feed to be located in last fixture section for continuous runs. For other locations consult factory. Not available for individual (IND) configuration.

**PF** - Extra power feed for additional circuiting. Not available for individual (IND) configuration.

#### Finish

All painted surfaces are premium powder coated baked on for maximum durability and color stability.

**HW** - High reflective matte White

**BT** - Black Texture

**ST** - Silver Texture

For special paint colors supply RAL and/or actual paint chip for factory consultation.

#### Configurations/Lengths

##### Straights:

**IND** - Individual fixtures are made of single standard lengths of 2 ft to 8 ft (in 1' increments). These are stand alone fixtures with matching End Caps, supplied with the mounting hardware. Lengths less than 4' may have restrictions based upon wattage, lengths, drivers or other options.

**CON** - Continuous runs, > 8' specified to nearest whole foot length in 1' increments. Runs made from standard lengths have End Caps at the beginning and end of run. Runs > 60' may require second power feed. Each housing has factory installed alignment pins. Mating fixtures are easily aligned and joined. Wiring is made fast and positive with molded quick connectors.

**CUS** - Custom made to measure runs are made to nearest 1/8" of customer supplied field measurements or drawings. Custom lengths use the same hardware for hairline joining.

##### Patterns:

**PXX** - Standard Patterns consist of 90° corners with standard lengths (4' to 8' in 1' increments), continuous runs or made to measure lengths. Depending upon complexity of the pattern drawings may be required from the customer. If ordering please give overall lengths.

**A'-B'-PLL** - L Left - (1) 90° Corner (2) segments. Specify overall segments: A' & B'

**A'-B'-PLR** - L Right - (1) 90° Corner (2) segments. Specify overall segments: A' & B'

**A'-B'-PR** - Rectangle - (4) 90° Corners joining (4) segments. Specify overall segments: A' & B'

**A'-B'-C'-PU** - U shape - (2) 90° Corners joining (3) segments. Specify overall segments: A', B', & C'

**A'-B'-C'-PZ** - Z shape - (2) 90° Corners joining (3) segments. Specify overall segments: A', B', & C'

See page 6 for layouts.

#### Mounting

The Carisma Direct is intended for pendant, surface or wall mounting.

**Pendant Mount-ASWxx** - Direct pendant mounted in center of ceiling tile or gypsum board ceiling (standard) i.e. ASWxx. Or if canopy is installed on a grid Tee runner add, **T** i.e. ASWxxT.

Cable is stranded stainless steel wire. All fittings are protected against rust and corrosion. Canopies are 5" x 1/4" die formed painted steel. Adjustment mechanism allows for infinite height adjustment. Amerlux recommends the required feed and non-feed suspensions based upon length and electrical options. Options include: color of canopy and power cord (black or white), length 4', 10' or 20', and mounting condition, in center of ceiling tile and in gypsum board ceiling (standard) i.e. ASWxx. Or if canopy is installed on a grid Tee runner add, **T** i.e. ASWxxT

**Wall Mount-WM** - Direct wall mounted using steel cleat bracket attached to fixture housing and wall bracket with set screws. Two bracket assemblies are used for each length. A third center bracket may be recommended. J-box required at feed locations.

#### Options

**EMB** - Emergency battery pack - 10W output power, 90 min of illumination time, up to 1300 lm of initial light output. Illuminated test-switch/charging indicator light is provided. Wattage consumption by EM: 2.5W/ft (4ft fixture), 1.25W/ft (8ft fixture). Request can be made to light up 4ft section on 8ft unit.

#### Certifications

Approved to UL standards for damp locations as tested by CSA

Intended for indoor use only

DLC Listing pending

#### Warranty

Amerlux's 5 year limited warranty. Please consult Amerlux website for details.

# Carisma 3"

Linear Indirect

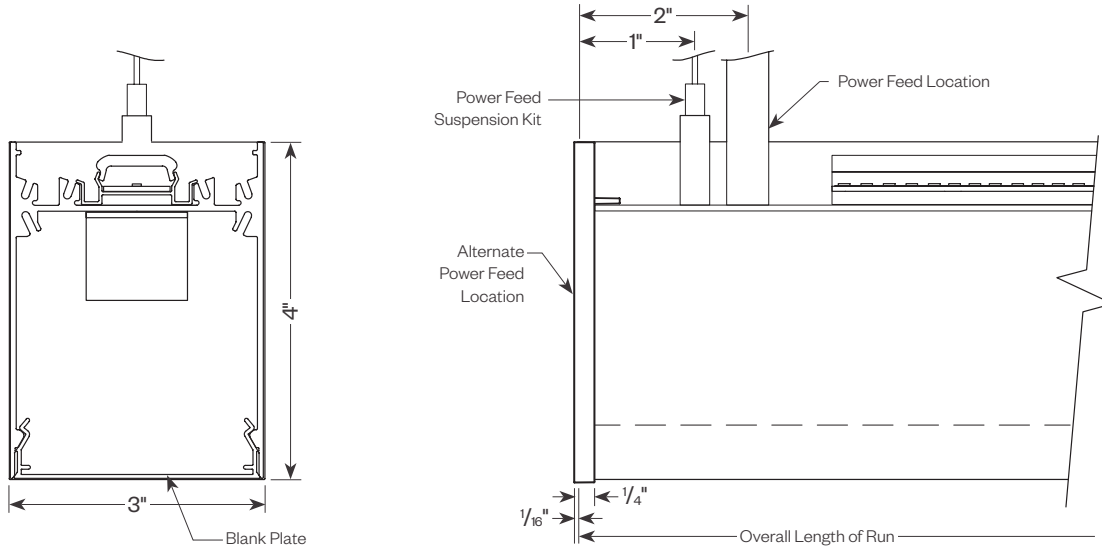


PROJECT:

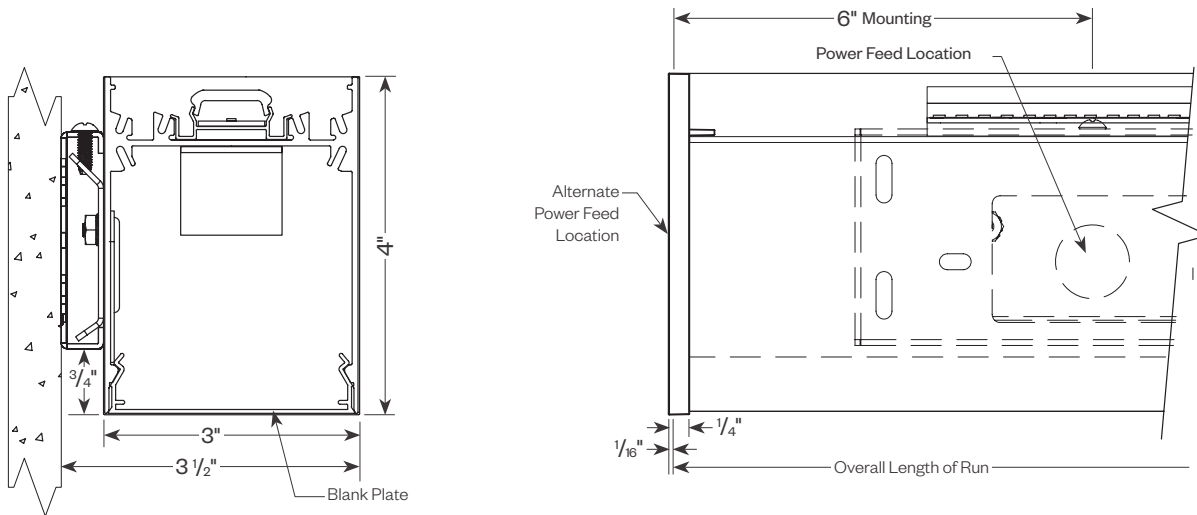
TYPE:

## Product Details

### Pendant

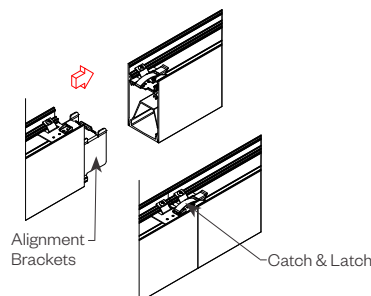


### Wall Mount



## Tool-less Joining

Line up the two housings using the alignment brackets. Secure them together by using the Catch & Latch System on the top of the extrusion.



# Carisma 3"

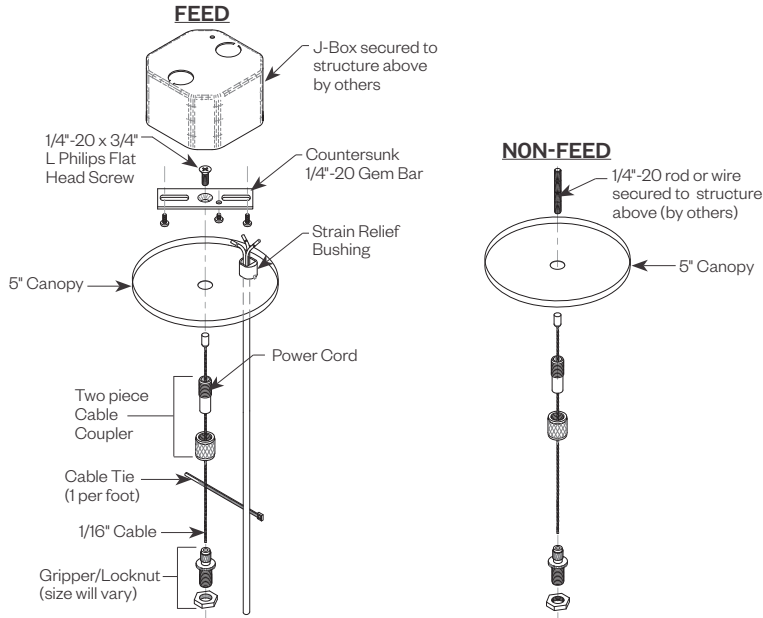
Linear Indirect



PROJECT:

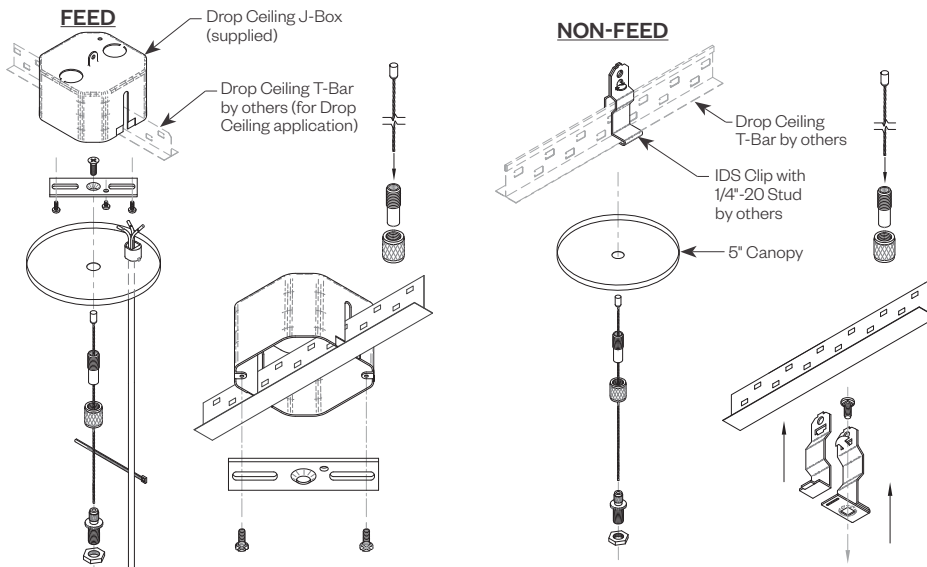
TYPE:

## Cable Kit Suspension - Ceiling or Gypsum Board (ASW04, ASW10, ASW20, ASB04, ASB10, ASB20)



| Cat#   | Length | Cord/Canopy | Application         |
|--------|--------|-------------|---------------------|
| ASW04  | 4'     | white/white | ceiling tile/gypsum |
| ASW10  | 10'    | white/white | ceiling tile/gypsum |
| ASW20  | 20'    | white/white | ceiling tile/gypsum |
| ASB04  | 4'     | black/black | ceiling tile/gypsum |
| ASB10  | 10'    | black/black | ceiling tile/gypsum |
| ASB20  | 20'    | black/black | ceiling tile/gypsum |
| ASW04T | 4'     | white/white | ceiling tee         |
| ASW10T | 10'    | white/white | ceiling tee         |
| ASW20T | 20'    | white/white | ceiling tee         |
| ASB04T | 4'     | black/black | ceiling tee         |
| ASB10T | 10'    | black/black | ceiling tee         |
| ASB20T | 20'    | black/black | ceiling tee         |

## Tee Grid or Screw Slot (ASW04T, ASW10T, ASW20T, ASB04T, ASB10T, ASB20T)



# Carisma 3"

Linear Indirect



PROJECT:

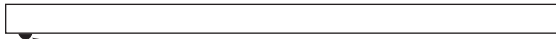
TYPE:

## Optional Sensor/RF Node

Amerlux® has partnered with control companies to create building environments that are safer, and smarter, than ever before. At the heart of our partnership is intelligent RF nodes and Smart Sensor, the most advanced digital wireless communication and sensors available today. Integrated into Amerlux products.

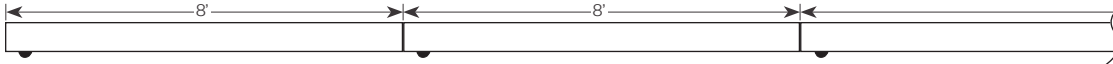
Minimum run length is 3' for wireless sensor and RF node.

### INDIVIDUAL (MIN 3' LENGTH)



Optional Enlightened Sensor

### RUNS



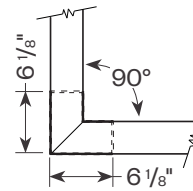
## Carisma 2" Patterns

### Standard Patterns

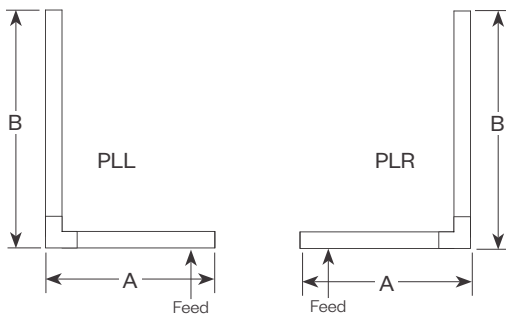
All corners are standard 90°, standard length legs.

Use standard lengths: 4' min to 8' in 1 foot increments.

Continuous runs must be the same length in pairs for closed configuration.



**Carisma 3" Lens**  
Mitered Lens

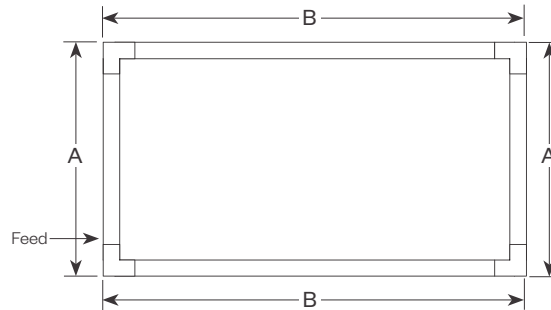


**PLL** - L Left, (2) straights + (1) 90° corner, leg right

**PLR** - L Right, (2) straights + (1) 90° corner, leg left

Provide overall lengths: A' & B'

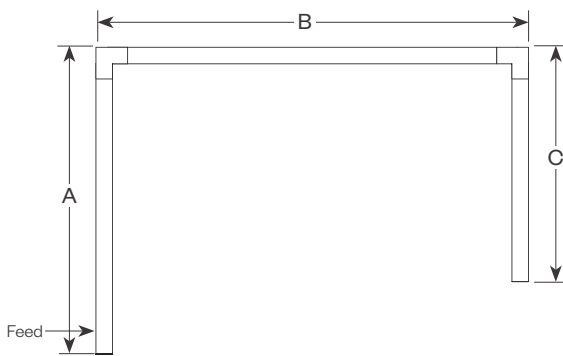
Nomenclature: A-B-PLL    A-B-PLR



**PR** - Closed Rectangle, (4) straight lengths + (4) 90° corners

Provide overall lengths: A' & B'

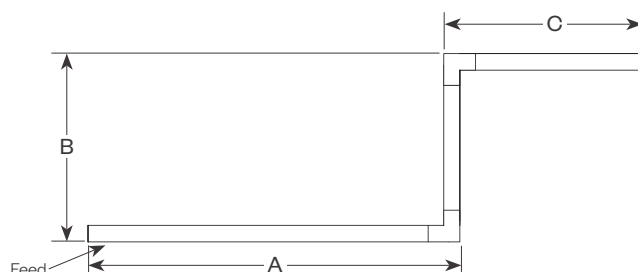
Nomenclature: A-B-PR



**PU** - Open U, (3) straight lengths + (2) 90° corners

Provide overall lengths: A', B' & C'

Nomenclature: A-B-C-PU



**PZ** - Open Z, (3) straight lengths + (2) 90° corners

Provide overall lengths: A', B' & C'

Nomenclature: A-B-C-PZ

# Carisma 3"

Linear Indirect



PROJECT:

TYPE:

## Performance Data

**Multiplying Factors:** (Multiplying Factor is based on 3500K-80 120V IES file on website)

| Wattage: | 3W   | 4W   | 5W  | 6W   | 7W   | 8W   | 9W   | 10W  |
|----------|------|------|-----|------|------|------|------|------|
| Factor:  | 0.59 | 0.78 | 1.0 | 1.20 | 1.40 | 1.60 | 1.79 | 1.98 |

| CCT:    | 3000K-80 | 3500K-80 | 4000K-80 | 2700K-90 | 3000K-90 | 3500K-90 | 4000K-90 |
|---------|----------|----------|----------|----------|----------|----------|----------|
| Factor: | 0.97     | 1.0      | 1.02     | 0.90     | 0.92     | 0.92     | 0.94     |

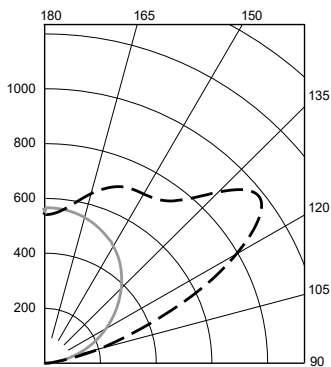
### CARISMA 3" INDIRECT BATWING 5W 3500K 4FT

Total Watts: 19

Total Lumens: 2624

Source: 168 White LED's

LTL# 14626025.02



#### ZONAL LUMEN SUMMARY

| Zone   | Lumens | %Fixt |
|--------|--------|-------|
| 0-40   | 0      | 0     |
| 0-60   | 0      | 0     |
| 0-90   | 0      | 0     |
| 90-180 | 2624   | 100.0 |

Efficacy (lumens/watt) = 142.0 lm/W

#### COEFFICIENTS OF UTILIZATION

| RC  | 80 |    |    |    |
|-----|----|----|----|----|
| RW  | 70 | 50 | 30 | 10 |
| RCR |    |    |    |    |
| 0   | 95 | 95 | 95 | 95 |
| 1   | 87 | 83 | 79 | 76 |
| 2   | 79 | 72 | 66 | 62 |
| 3   | 72 | 63 | 57 | 51 |
| 4   | 65 | 56 | 48 | 43 |
| 5   | 60 | 49 | 42 | 36 |
| 6   | 55 | 44 | 36 | 31 |
| 7   | 50 | 39 | 32 | 27 |
| 8   | 47 | 35 | 28 | 23 |
| 9   | 43 | 32 | 25 | 20 |
| 10  | 40 | 29 | 22 | 18 |

Note: Values expressed as % of total lumen output delivered to the task surface.

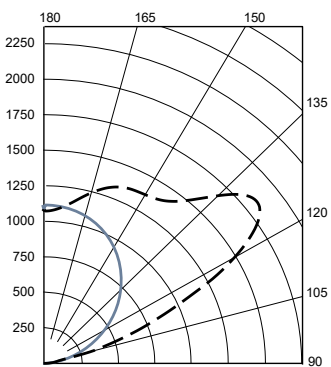
### CARISMA 3" LENS BATWING 10W 3500K 4FT

Total Watts: 37

Total Lumens: 4979

Source: 168 White LED's

LTL# 14626025.01



#### ZONAL LUMEN SUMMARY

| Zone   | Lumens | %Fixt |
|--------|--------|-------|
| 0-40   | 0      | 0     |
| 0-60   | 0      | 0     |
| 0-90   | 0      | 0     |
| 90-180 | 4979   | 100.0 |

Efficacy (lumens/watt) = 135.6 lm/W

#### COEFFICIENTS OF UTILIZATION

| RC  | 80 |    |    |    |
|-----|----|----|----|----|
| RW  | 70 | 50 | 30 | 10 |
| RCR |    |    |    |    |
| 0   | 95 | 95 | 95 | 95 |
| 1   | 87 | 83 | 79 | 76 |
| 2   | 79 | 72 | 66 | 62 |
| 3   | 72 | 63 | 57 | 51 |
| 4   | 65 | 56 | 48 | 43 |
| 5   | 60 | 49 | 42 | 36 |
| 6   | 55 | 44 | 36 | 31 |
| 7   | 50 | 39 | 32 | 27 |
| 8   | 47 | 35 | 28 | 23 |
| 9   | 43 | 32 | 25 | 20 |
| 10  | 40 | 29 | 22 | 18 |

Note: Values expressed as % of total lumen output delivered to the task surface.

# Carisma 3"

Linear Indirect



PROJECT:

TYPE:

## Dimming Compatibility

Amerlux® Carisma fixtures are compatible with all major dimming protocols prevalent in the United States. Please see below for general compatibilities and wiring diagrams. Amerlux recommends testing your unique dimming configuration as the exact full configuration (*Dimmer, Fixture Quantity, Voltage, etc*) may affect dimming performance.

--- NOTE: INFORMATION BELOW IS FOR WIRED DIMMERS ONLY. FOR WIRELESS DIMMERS, CONSULT FACTORY ---

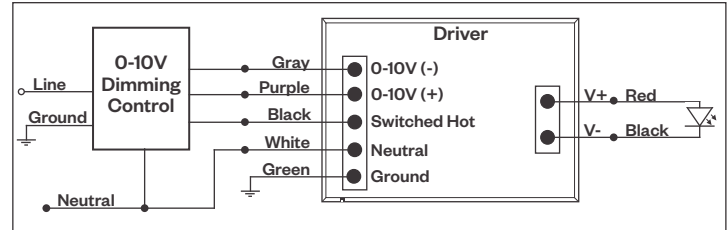
### 0-10V - DIMMING (Standard)

Integrates into a variety of building management and daylighting controls

**Notes:**

- 120V or 277V\*
- Dims down to 1% light output
- Requires interface to turn off power to driver
- Consult Dimming manufacturer for installation instructions - **DO NOT SHARE NEUTRALS!**

### 0-10V Wiring Diagram



### Compatible Dimmers\*:

| Wall Box          |              |           | Central System                            |
|-------------------|--------------|-----------|---|
| Lutron:           | Wattstopper: | Leviton:  | Lutron Grafikx Eye with GRX-TV1 Interface |
| Diva - DVSTV      | ADF-120277   | Renoir II |   |
| Maestro - MS-Z101 |              |           |   |
| Nova-T - NTSTV-DV |              |           |   |

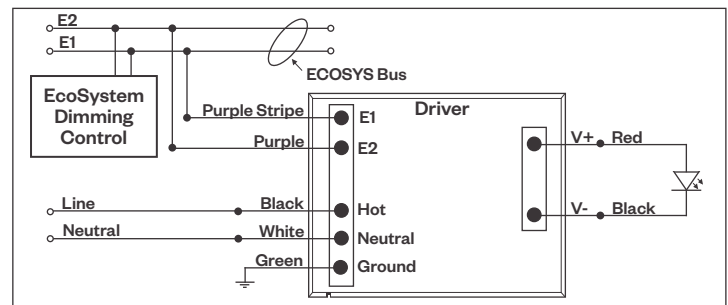
### LUTRON LDE1 DIMMING

Integrates into Lutron EcoSystem building management

**Notes:**

- 120VAC or 277VAC\*
- Dims down to 1% Soft-On/Fade-to-Black
- EcoSystem Control
- Consult Dimming manufacturer for installation instructions - **DO NOT SHARE NEUTRALS!**

### LDE1 (HILUME-H-ECO) EcoSystem Digital Control Wiring Diagram



### Compatible Dimmers\*:

| Lutron ECO System       | Central System                       |
|-------------------------|--------------------------------------|
| Pow Pak Dimming Modules | Lutron EcoSystem compatible controls |
| Energi Savr Node        |                                      |
| Grafik Eye QS/Homeworks |                                      |
| QS Control Unit         |                                      |
| Quantum Hub             |                                      |
| Homeworks QS/My Room    |                                      |

**Notes:**

\* Driver is 277VAC dimmable with appropriate dimmer (*by others*). All provided wiring diagrams show 120VAC wiring colors and method. Please refer to 277VAC dimmer installation instructions for 277VAC wiring diagrams.

† The absence of a dimmer from the lists above does not imply incompatibility. Please consult factory for compatibility inquiries.



# Carisma 3"

Linear Indirect



PROJECT:

TYPE:

## Dimming Compatibility *(continued)*

Amerlux® Carisma fixtures are compatible with all major dimming protocols prevalent in the United States. Please see below for general compatibilities and wiring diagrams. Amerlux recommends testing your unique dimming configuration as the exact full configuration (*Dimmer, Fixture Quantity, Voltage, etc*) may affect dimming performance.

**--- NOTE: INFORMATION BELOW IS FOR WIRED DIMMERS ONLY. FOR WIRELESS DIMMERS, CONSULT FACTORY ---**

### DALI - DALI DIMMING 120V-277V

Digital control protocol allows individual fixture control

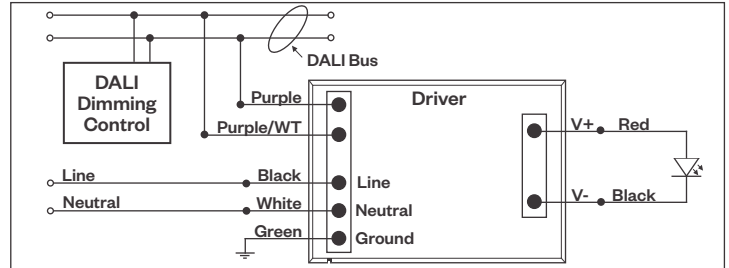
**Notes:**

- 120VAC - 277VAC\*
- Dims down to 1% light output in most cases

**Compatible Dimmers\*:**

| Wall Box                 | Central System |
|--------------------------|----------------|
| Leviton CD250 Controller | Dynalite       |
|                          | Fifth Light    |

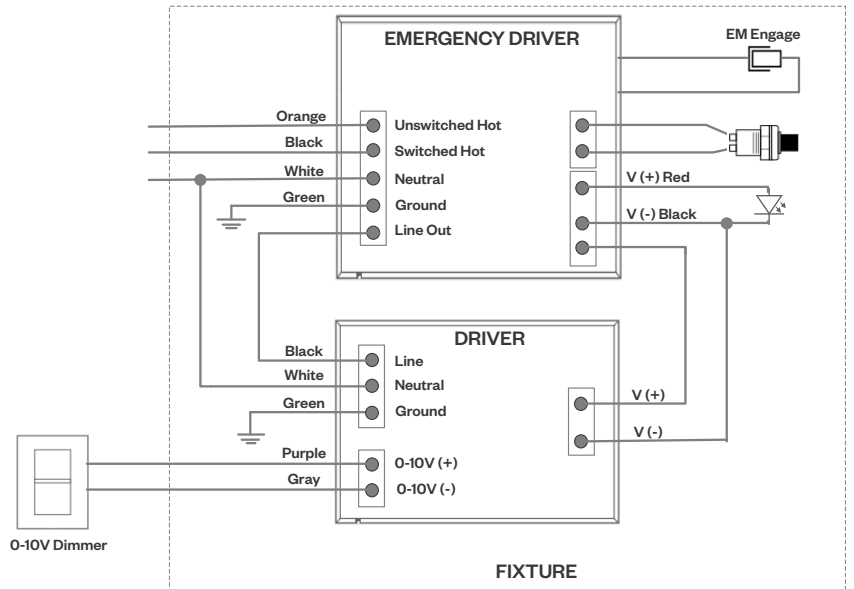
### DALI Wiring Diagram



## Emergency Fixture with Built-In Battery Pack

Emergency fixture with built-in battery pack (*EMB*) wiring:

*Note: EMB not available on lengths under 4'.*



**Notes:**

\* Driver is 277VAC dimmable with appropriate dimmer (*by others*). All provided wiring diagrams show 120VAC wiring colors and method. Please refer to 277VAC dimmer installation instructions for 277VAC wiring diagrams.

† The absence of a dimmer from the lists above does not imply incompatibility. Please consult factory for compatibility inquiries.