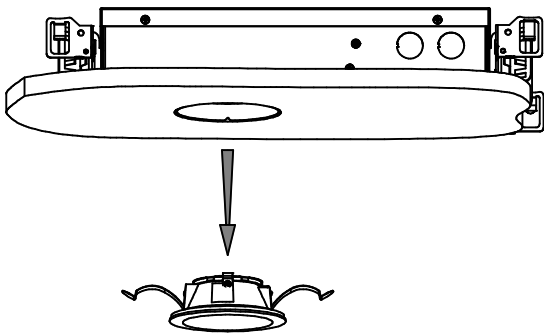


WARNING - RISK OF FIRE AND ELECTRICAL SHOCK. FIXTURE MUST BE INSTALLED BY A QUALIFIED ELECTRICIAN ONLY. FIXTURE IS INTENDED FOR INSTALLATION IN ACCORDANCE WITH THE NATIONAL ELECTRICAL CODE, LOCAL AND FEDERAL SPECIFICATIONS. DISCONNECT POWER AT ELECTRICAL PANEL BEFORE SERVICING.

RETAIN THESE INSTRUCTIONS FOR MAINTENANCE REFERENCE.

1. REMOVE TRIM

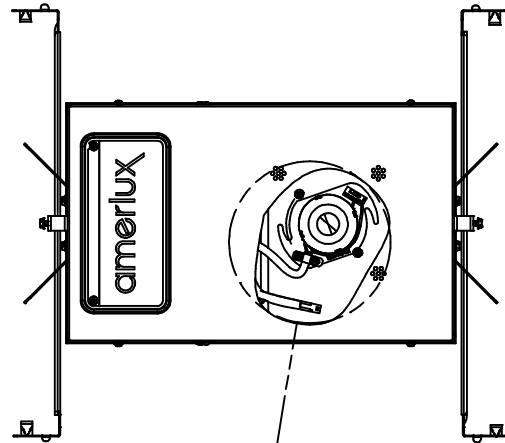
PULL DOWN TRIM FROM THE FIXTURE



2. REMOVE LED MODULE

DISCONNECT WIRE HARNESS.

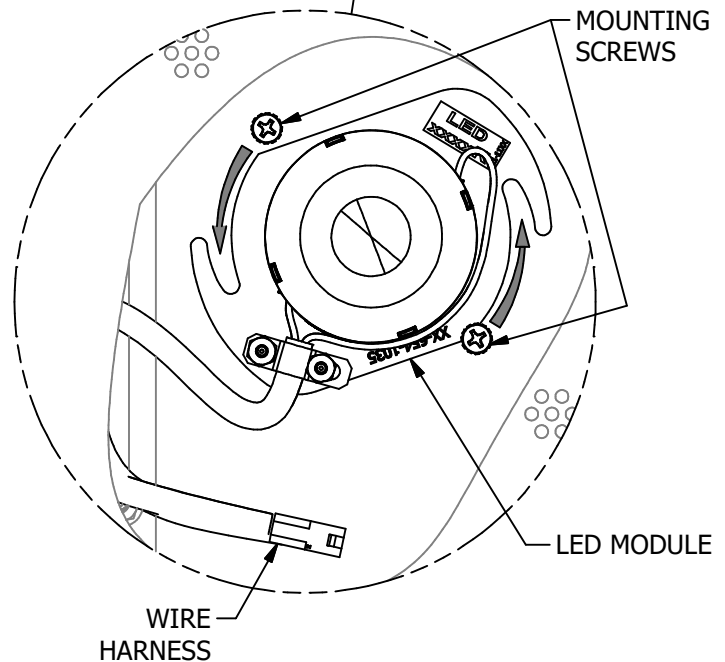
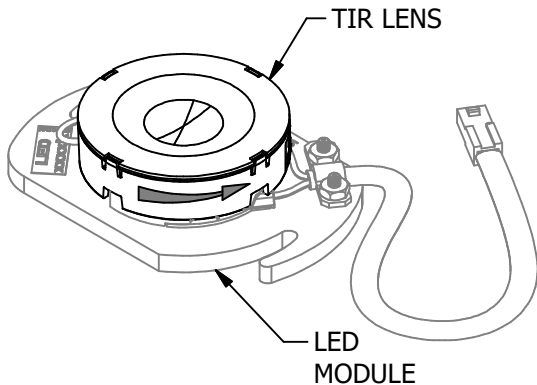
LOOSEN BUT DON'T REMOVE TWO MOUNTING SCREWS, THEN ROTATE LED MODULE COUNTERCLOCKWISE ALONG RADIAL SLOTS TO RELEASE IT.



3. REPLACE TIR LENS

TO REMOVE TIR LENS ROTATE IT COUNTERCLOCKWISE.

REVERSE STEPS TO INSTALL NEW TIR LENS.



NOTE:

LED MODULE DOES NOT NEED TO BE REMOVED FROM THE HOUSING TO REPLACE TIR LENS.