

**WARNING - RISK OF FIRE AND ELECTRICAL SHOCK. FIXTURE MUST BE INSTALLED BY A QUALIFIED ELECTRICIAN ONLY. FIXTURE IS INTENDED FOR INSTALLATION IN ACCORDANCE WITH THE NATIONAL ELECTRICAL CODE, LOCAL AND FEDERAL SPECIFICATIONS. DISCONNECT POWER AT ELECTRICAL PANEL BEFORE SERVICING.**

**RETAIN THESE INSTRUCTIONS FOR MAINTENANCE REFERENCE.**

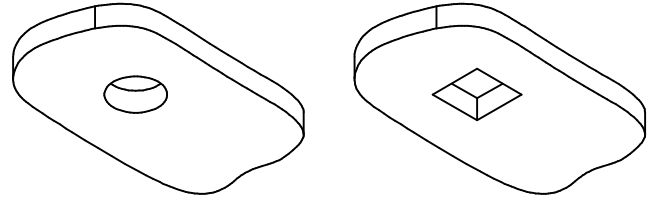
**1. CEILING CUT OUT**

ROUND: Ø3.5"

SQUARE: 3.5" x 3.5"

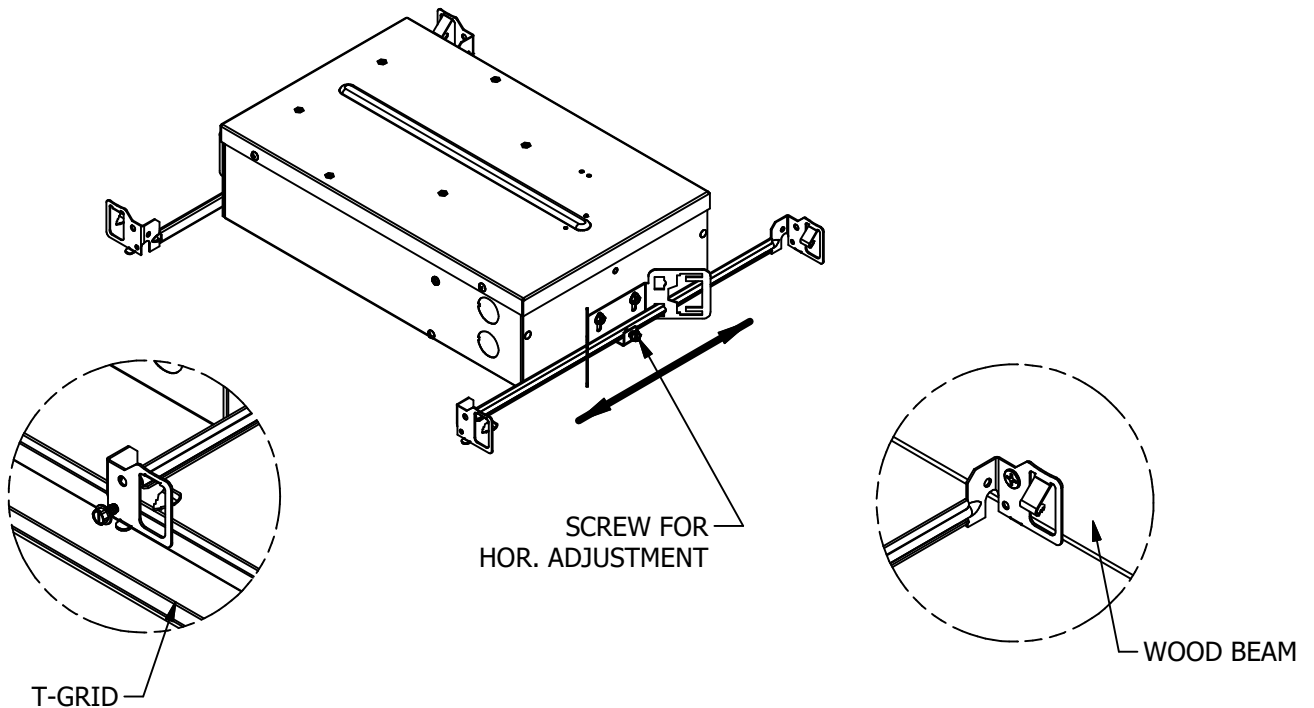
**NOTE:**

CEILING CUTOUT MUST BE EXACT. FAILURE TO DO SO WILL RESULT IN EITHER A GAP BETWEEN THE CEILING AND THE TRIM OR THE TRIM NOT BEING FLUSH WITH THE CEILING.



**2. FRAME INSTALLATION / HORIZONTAL ADJUSTMENT**

SPREAD HANGER BARS TO APPROPRIATE DISTANCE. FASTEN HANGER BARS TO STRUCTURAL MEMBERS (HARDWARE BY OTHERS). TIGHTEN SCREW ONCE FIXTURE IS CORRECTLY LOCATED. NOTCHES ARE PROVIDED FOR FASTENING TO STANDARD T-BAR GRID CEILING.



NOTE: ROUND FRAME INSTALLATION SHOWN. FOLLOW SAME PROCEDURE TO INSTALL SQUARE FRAME.

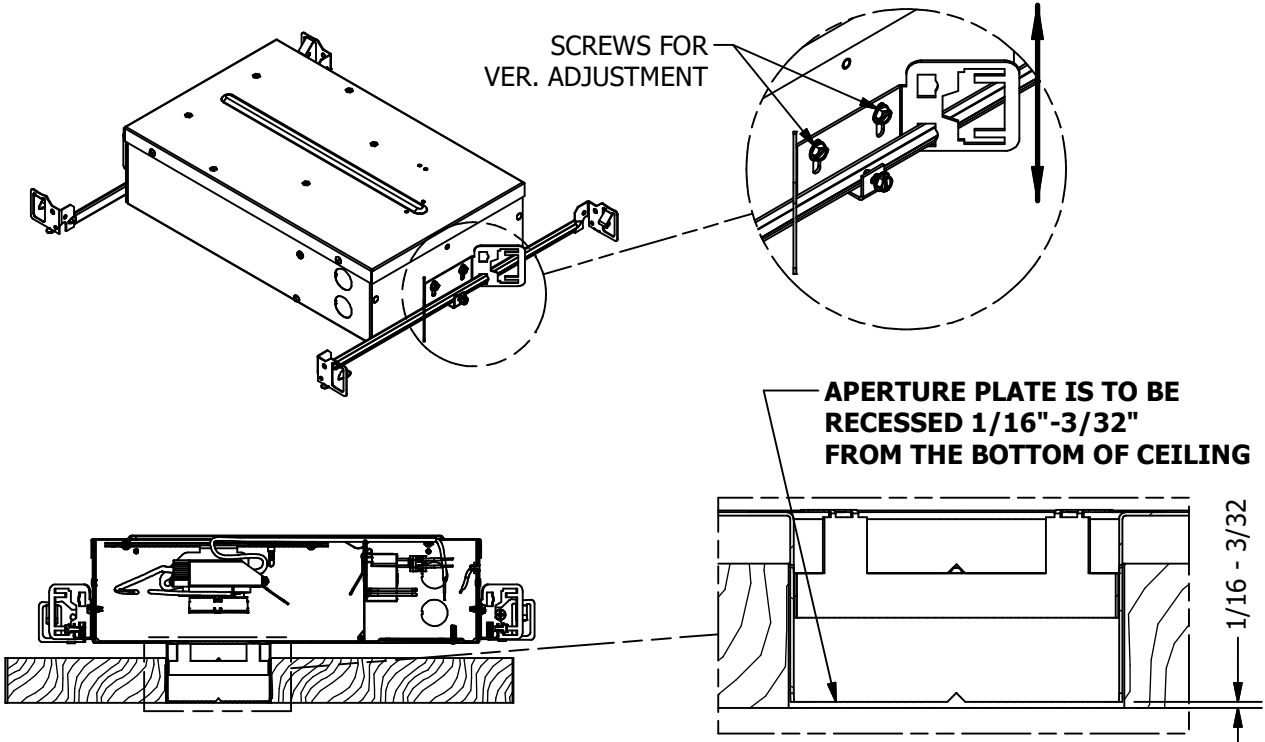
**Amerlux, 178 Bauer Drive, Oakland, N.J. 07436, T: 973-882-5010, F: 973-882-2604 [www.amerlux.com](http://www.amerlux.com)**

**WARNING - RISK OF FIRE AND ELECTRICAL SHOCK. FIXTURE MUST BE INSTALLED BY A QUALIFIED ELECTRICIAN ONLY. FIXTURE IS INTENDED FOR INSTALLATION IN ACCORDANCE WITH THE NATIONAL ELECTRICAL CODE, LOCAL AND FEDERAL SPECIFICATIONS. DISCONNECT POWER AT ELECTRICAL PANEL BEFORE SERVICING.**

**RETAIN THESE INSTRUCTIONS FOR MAINTENANCE REFERENCE.**

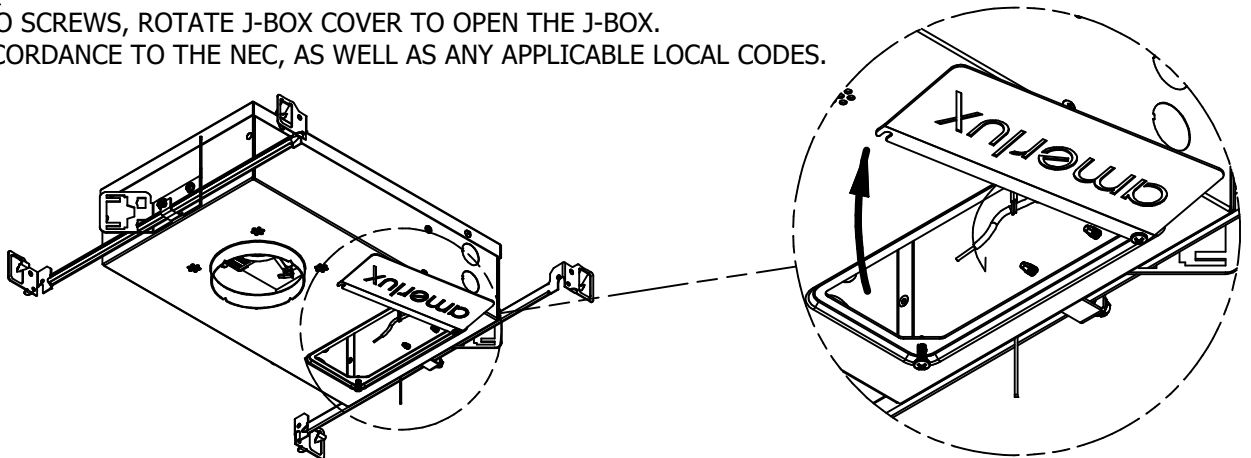
**3. FRAME INSTALLATION / VERTICAL ADJUSTMENT**

FOR VERTICAL ADJUSTMENT LOOSEN TWO SCREWS, ADJUST FIXTURE HEIGHT SO THAT APERTURE RING SITS ABOVE CEILING SURFACE. TIGHTEN SCREWS ONCE ADJUSTED.



**4. WIRING**

LOOSEN TWO SCREWS, ROTATE J-BOX COVER TO OPEN THE J-BOX. WIRE IN ACCORDANCE TO THE NEC, AS WELL AS ANY APPLICABLE LOCAL CODES.



NOTE: ROUND FRAME INSTALLATION SHOWN. FOLLOW SAME PROCEDURE TO INSTALL SQUARE FRAME.

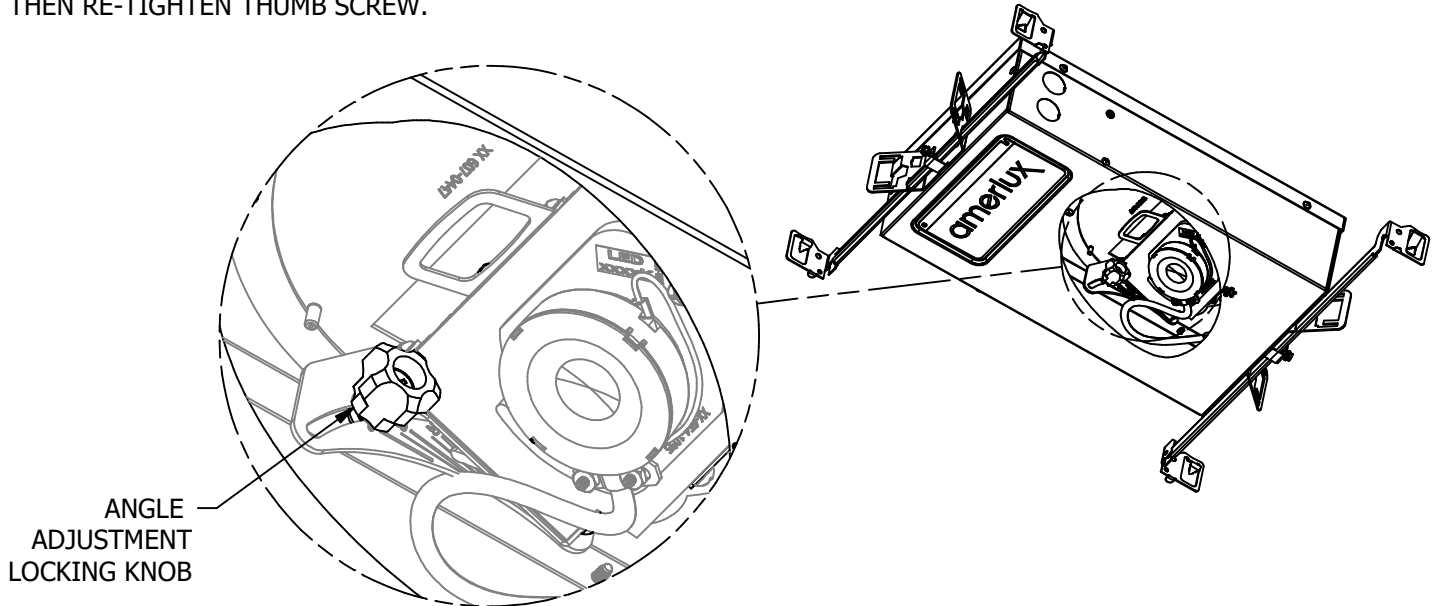
**Amerlux, 178 Bauer Drive, Oakland, N.J. 07436, T: 973-882-5010, F: 973-882-2604 [www.amerlux.com](http://www.amerlux.com)**

**WARNING - RISK OF FIRE AND ELECTRICAL SHOCK. FIXTURE MUST BE INSTALLED BY A QUALIFIED ELECTRICIAN ONLY. FIXTURE IS INTENDED FOR INSTALLATION IN ACCORDANCE WITH THE NATIONAL ELECTRICAL CODE, LOCAL AND FEDERAL SPECIFICATIONS. DISCONNECT POWER AT ELECTRICAL PANEL BEFORE SERVICING.**

**RETAIN THESE INSTRUCTIONS FOR MAINTENANCE REFERENCE.**

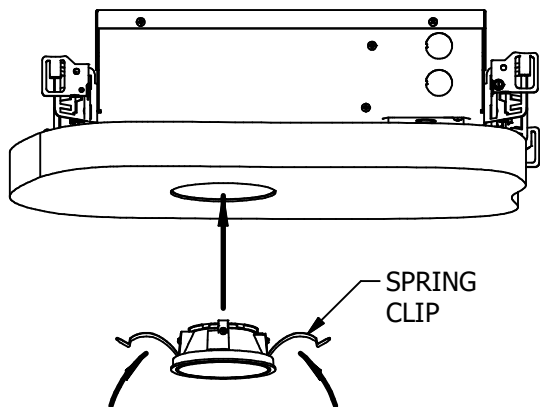
**4. TILT ANGLE AND 360° ROTATION ADJUSTMENT**

LOOSEN ANGLE ADJUSTMENT LOCKING KNOB. YOU WILL NEED TO REACH INTO THE HOUSING THROUGH THE TRIM OPENING. RE-TIGHTEN THE ANGLE ADJUSTMENT LOCKING KNOB AFTER DESIRED ANGLE IS ACHIEVED. FOR 360° ROTATION LOOSEN THUMB SCREW, ROTATE OPTICAL ASSEMBLY TO THE APPROPRIATE LOCATION, THEN RE-TIGHTEN THUMB SCREW.



**5. TRIM INSTALLATION**

COMPRESS AND HOLD TWO SPRING CLIPS, THEN LIFT TRIM INTO APERTURE



NOTE: ROUND FRAME INSTALLATION SHOWN. FOLLOW SAME PROCEDURE TO INSTALL SQUARE FRAME.

**Amerlux, 178 Bauer Drive, Oakland, N.J. 07436, T: 973-882-5010, F: 973-882-2604 [www.amerlux.com](http://www.amerlux.com)**



**INSTRUCTION SHEET**

**SOLACE RA/SA FIXTURE MILL WORK INSTALLATION**

**689-1051**

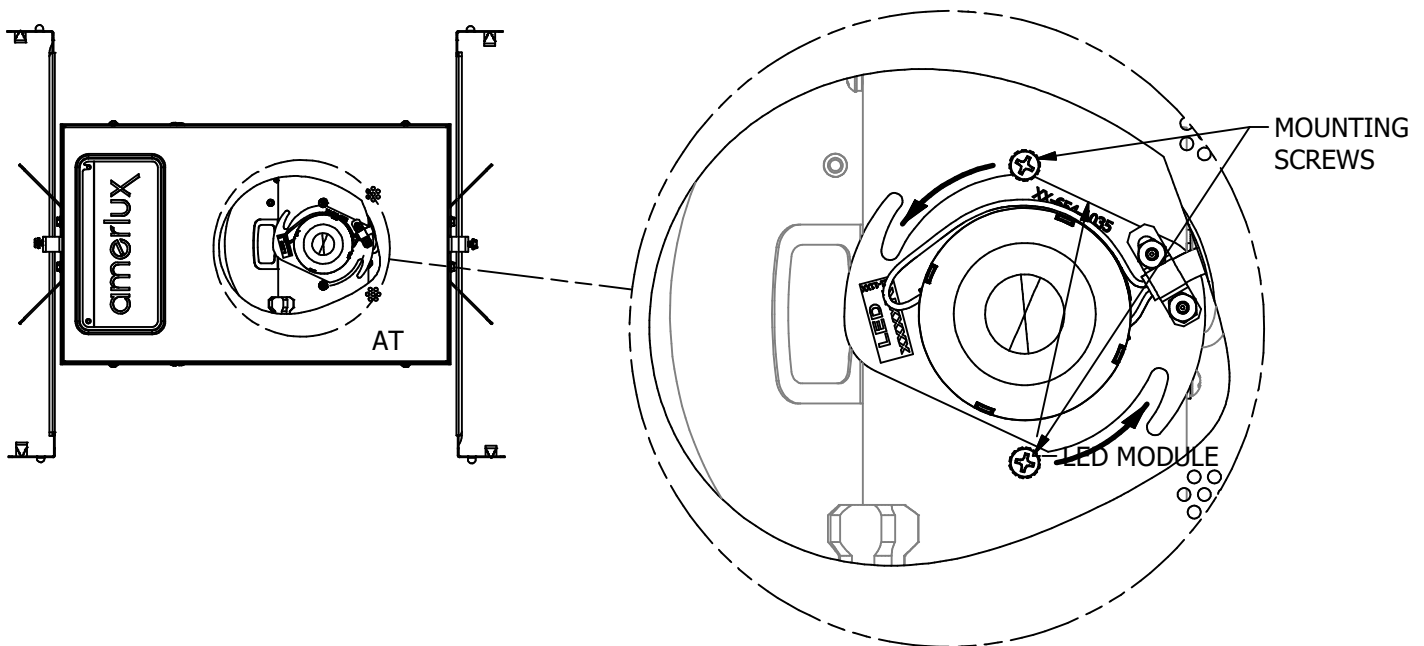
PAGE 4 OF 4

**WARNING - RISK OF FIRE AND ELECTRICAL SHOCK. FIXTURE MUST BE INSTALLED BY A QUALIFIED ELECTRICIAN ONLY. FIXTURE IS INTENDED FOR INSTALLATION IN ACCORDANCE WITH THE NATIONAL ELECTRICAL CODE, LOCAL AND FEDERAL SPECIFICATIONS. DISCONNECT POWER AT ELECTRICAL PANEL BEFORE SERVICING.**

**RETAIN THESE INSTRUCTIONS FOR MAINTENANCE REFERENCE.**

**LED MODULE REPLACEMENT**

ADJUST LED OPTIC ASSEMBLY ANGLE TO THE HORIZONTAL POSITION. DISCONNECT WIRE HARNESS. LOOSEN BUT DON'T REMOVE TWO MOUNTING SCREWS, THEN ROTATE LED MODULE COUNTERCLOCKWISE ALONG RADIAL SLOTS TO RELEASE IT. REVERSE STEPS TO INSTALL NEW LED MODULE.



NOTE: ROUND FRAME INSTALLATION SHOWN. FOLLOW SAME PROCEDURE TO INSTALL SQUARE FRAME.

**Amerlux, 178 Bauer Drive, Oakland, N.J. 07436, T: 973-882-5010, F: 973-882-2604 [www.amerlux.com](http://www.amerlux.com)**