

WARNING - RISK OF FIRE AND ELECTRICAL SHOCK. FIXTURE MUST BE INSTALLED BY A QUALIFIED ELECTRICIAN ONLY. FIXTURE IS INTENDED FOR INSTALLATION IN ACCORDANCE WITH THE NATIONAL ELECTRICAL CODE, LOCAL AND FEDERAL SPECIFICATIONS. DISCONNECT POWER AT ELECTRICAL PANEL BEFORE SERVICING.

RETAIN THESE INSTRUCTIONS FOR MAINTENANCE REFERENCE.

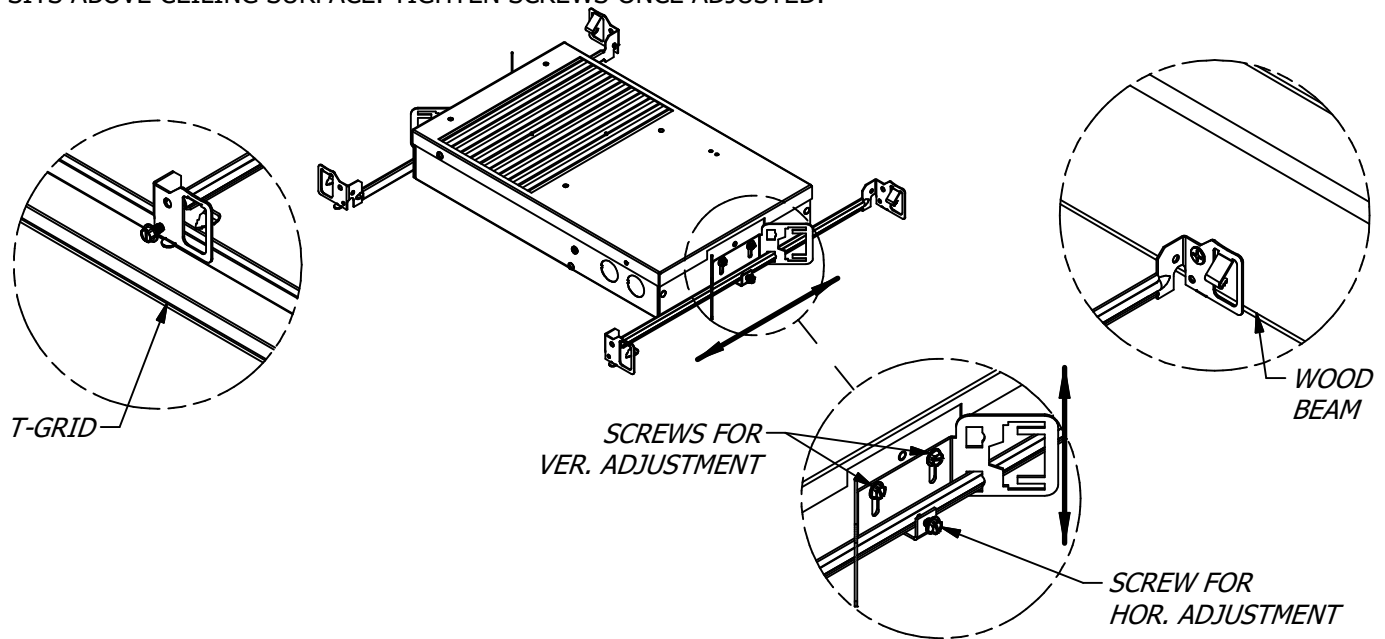
1. FRAME INSTALLATION / HORIZONTAL AND VERTICAL ADJUSTMENT

IMPORTANT NOTE: PRIOR WALL WASH FIXTURE INSTALLATION CHECK THE ORIENTATION OF THE WALL WASH LED MODULE, SEE PAGE 3 FOR MORE DETAILS.

SPREAD HANGER BARS TO APPROPRIATE DISTANCE. FASTEN HANGER BARS TO STRUCTURAL MEMBERS (HARDWARE BY OTHERS). TIGHTEN SCREW ONCE FIXTURE IS CORRECTLY LOCATED.

NOTCHES ARE PROVIDED FOR FASTENING TO STANDARD T-BAR GRID CEILING.

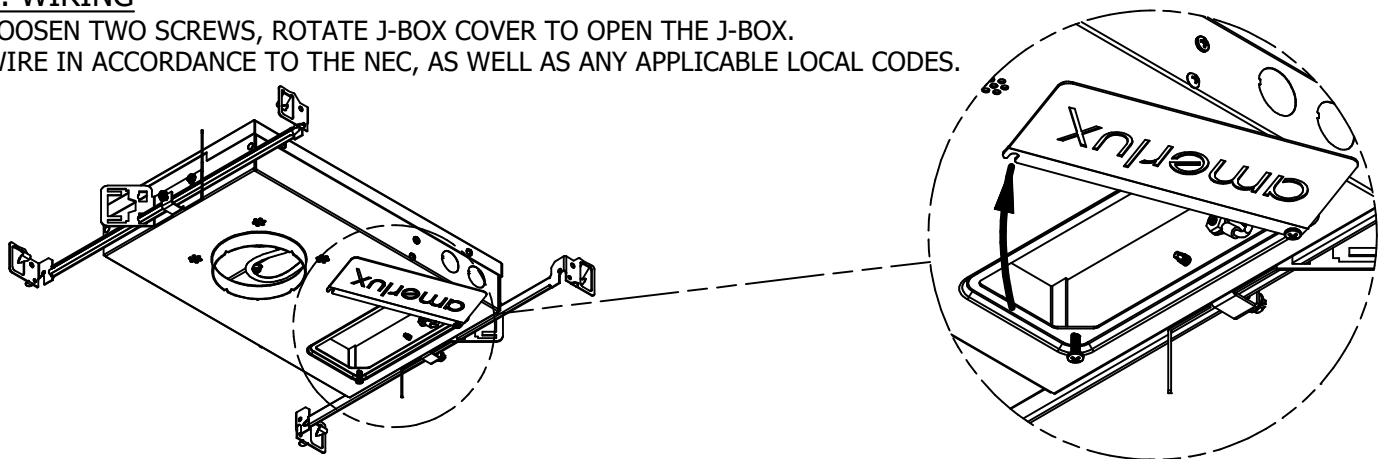
FOR VERTICAL ADJUSTMENT LOOSEN TWO SCREWS, ADJUST FIXTURE HEIGHT SO THAT APERTURE RING SITS ABOVE CEILING SURFACE. TIGHTEN SCREWS ONCE ADJUSTED.



2. WIRING

LOOSEN TWO SCREWS, ROTATE J-BOX COVER TO OPEN THE J-BOX.

WIRE IN ACCORDANCE TO THE NEC, AS WELL AS ANY APPLICABLE LOCAL CODES.



NOTE: ROUND FRAME INSTALLATION SHOWN. FOLLOW SAME PROCEDURE TO INSTALL SQUARE FRAME.

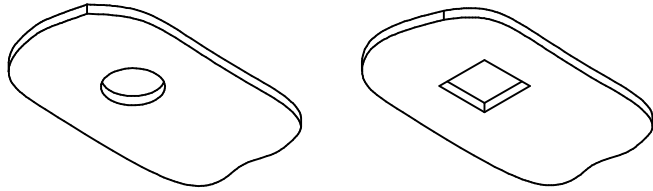
Amerlux, 178 Bauer Drive, Oakland, N.J. 07436, T: 973-882-5010, F: 973-882-2604 www.amerlux.com

WARNING - RISK OF FIRE AND ELECTRICAL SHOCK. FIXTURE MUST BE INSTALLED BY A QUALIFIED ELECTRICIAN ONLY. FIXTURE IS INTENDED FOR INSTALLATION IN ACCORDANCE WITH THE NATIONAL ELECTRICAL CODE, LOCAL AND FEDERAL SPECIFICATIONS. DISCONNECT POWER AT ELECTRICAL PANEL BEFORE SERVICING.

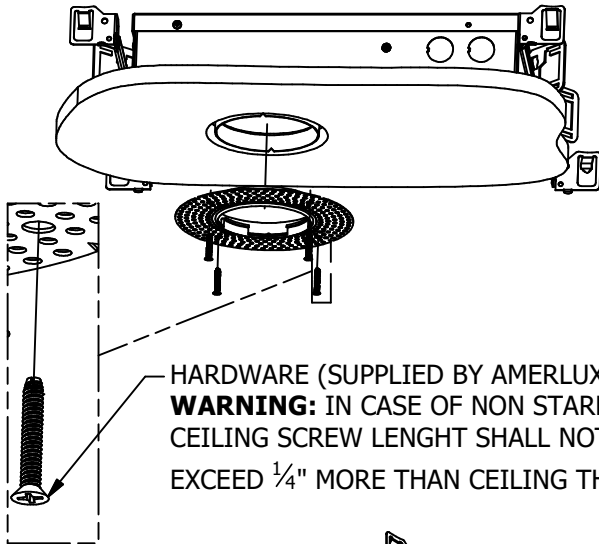
RETAIN THESE INSTRUCTIONS FOR MAINTENANCE REFERENCE.

3a. CEILING CUTOUT

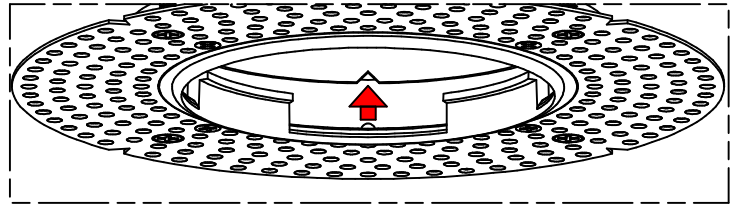
CEILING CUTOUT	
FIXTURE	DIMENSION
ROUND (RA)	Ø3 9/16"
SQUARE (SA)	3 9/16" x 3 9/16"
ROUND TRIMLESS (RA-TL)	Ø4 1/16"
SQUARE TRIMLESS (SA-TL)	4 1/16" x 4 1/16"



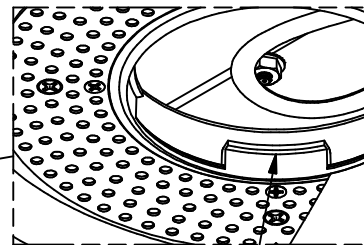
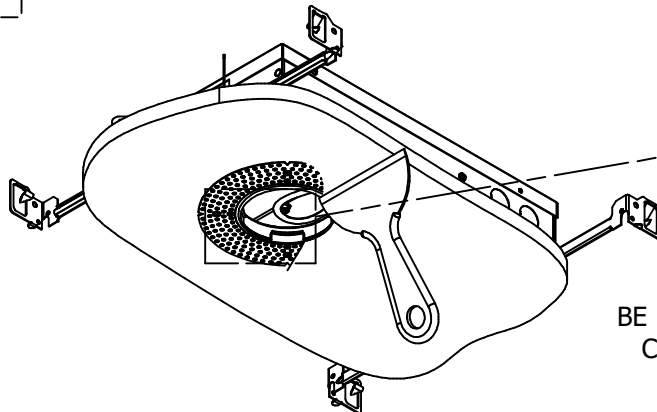
3b. PLASTER RING INSTALLATION (TRIMLESS ONLY)



HARDWARE (SUPPLIED BY AMERLUX)
WARNING: IN CASE OF NON STANDARD CEILING SCREW LENGTH SHALL NOT EXCEED 1/4" MORE THAN CEILING THICKNESS



IMPORTANT NOTE: REST ALIGNMENT MARKERS WITHIN THE NOTCHES OF APERTURE AS SHOWN. THIS IS CRITICAL FOR PROPER ALIGNMENT.



INSIDE OF APERTURE SHALL BE FREE OF ANY PLASTER REMNANTS. CLEAN INSIDE SURFACE IF NEEDED.

NOTE: ROUND FRAME INSTALLATION SHOWN. FOLLOW SAME PROCEDURE TO INSTALL SQUARE FRAME.

Amerlux, 178 Bauer Drive, Oakland, N.J. 07436, T: 973-882-5010, F: 973-882-2604 www.amerlux.com



INSTRUCTION SHEET

SOLACE WALL WASH FIXTURE INSTALLATION

689-1049

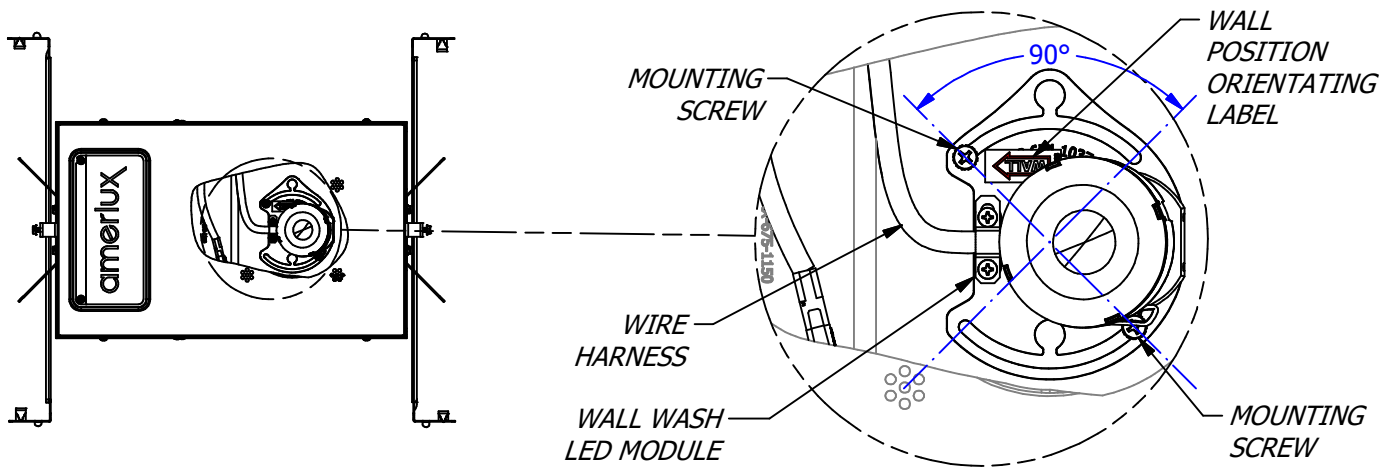
PAGE 3 OF 4

WARNING - RISK OF FIRE AND ELECTRICAL SHOCK. FIXTURE MUST BE INSTALLED BY A QUALIFIED ELECTRICIAN ONLY. FIXTURE IS INTENDED FOR INSTALLATION IN ACCORDANCE WITH THE NATIONAL ELECTRICAL CODE, LOCAL AND FEDERAL SPECIFICATIONS. DISCONNECT POWER AT ELECTRICAL PANEL BEFORE SERVICING.

RETAIN THESE INSTRUCTIONS FOR MAINTENANCE REFERENCE.

LED MODULE REORIENTATION AND REPLACEMENT

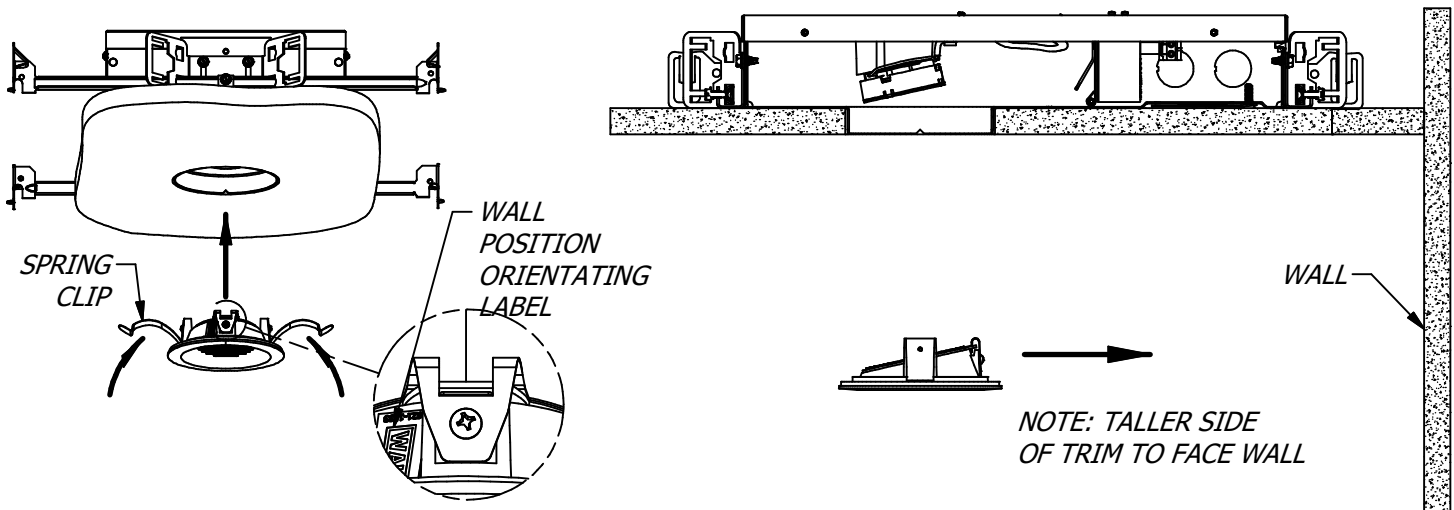
THE LED MODULE CAN BE ROTATED UP TO 90° FROM THE INSTALLED POSITION, (LED MODULE HAS WALL POSITION ORIENTATING LABEL). IF OPPOSITE WALL NEEDS TO BE HILIGHTED BY THE FIXTURE, DISMOUNT THE LED MODULE, ROTATE IT 180° FROM ORIGINAL POSITION, AND REINSTALL IT. WHILE DISMOUNTING, MAKE SURE TO DISCONNECT WIRE HARNESS. THEN, LOOSEN BUT DON'T REMOVE TWO MOUNTING SCREWS, ROTATE LED MODULE ALONG RADIAL SLOTS TO RELEASE IT. REVERSE STEPS TO INSTALL.



5. TRIM INSTALLATION

TO INSTALL, COMPRESS AND HOLD TWO SPRING CLIPS, THEN LIFT TRIM INTO APERTURE.

NOTE: WHEN INSTALLING TRIM, TRIM WITH HIGHER SIDE CUT SHOULD FACE WALL, (TRIM HAS WALL POSITION ORIENTATING LABEL).



NOTE: ROUND FRAME INSTALLATION SHOWN. FOLLOW SAME PROCEDURE TO INSTALL SQUARE FRAME.

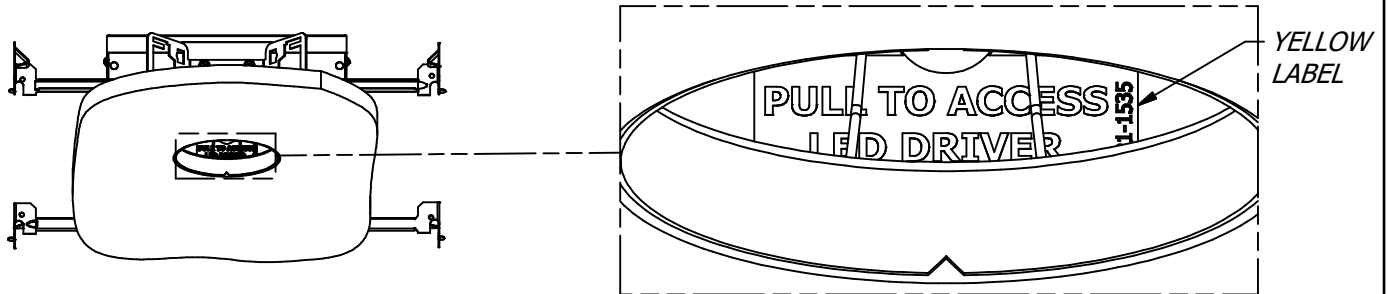
Amerlux, 178 Bauer Drive, Oakland, N.J. 07436, T: 973-882-5010, F: 973-882-2604 www.amerlux.com

WARNING - RISK OF FIRE AND ELECTRICAL SHOCK. FIXTURE MUST BE INSTALLED BY A QUALIFIED ELECTRICIAN ONLY. FIXTURE IS INTENDED FOR INSTALLATION IN ACCORDANCE WITH THE NATIONAL ELECTRICAL CODE, LOCAL AND FEDERAL SPECIFICATIONS. DISCONNECT POWER AT ELECTRICAL PANEL BEFORE SERVICING.

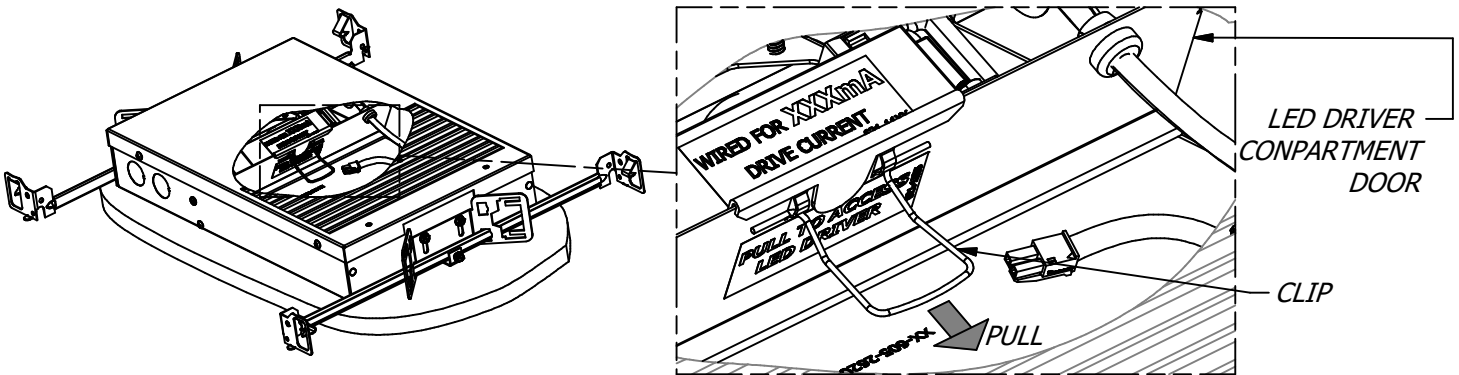
RETAIN THESE INSTRUCTIONS FOR MAINTENANCE REFERENCE.

LED DRIVER COMPARTMENT ACCESS AND LED DRIVER REPLACEMENT.

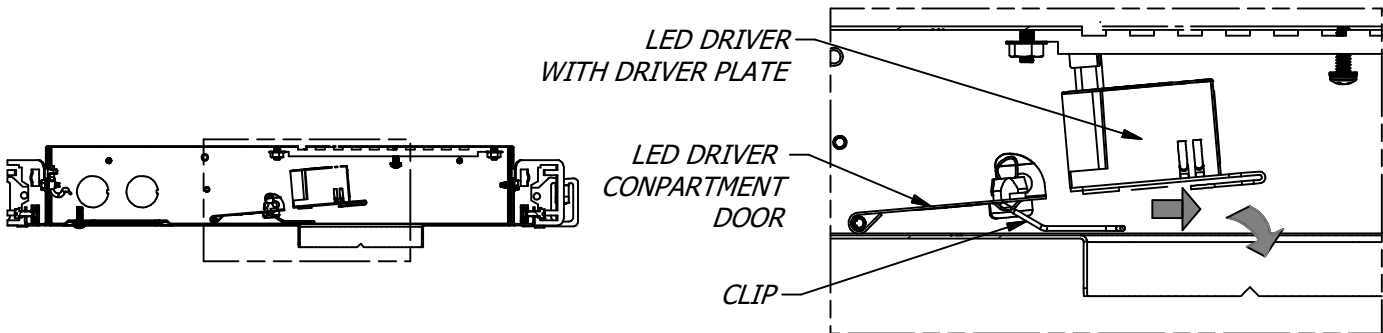
DISCONNECT AND REMOVE LED MODULE FOR EASIER ACCESS TO THE LED DRIVER COMPARTMENT. LOOK INSIDE THE HOUSING FOR THE YELLOW LABEL "PULL TO ACCESS LED DRIVER".



PULL THE CLIP TO OPEN THE LED DRIVER COMPARTMENT DOOR.



WHEN LED DRIVER COMPARTMENT DOOR IS IN HORIZONTAL POSITION SLIDE THE LED DRIVER BRACKET OUT OF THE DOOR AND THEN PULL OUT OF THE HOUSING. DISCONNECT PRIMARY AND SECONDARY DRIVER WIRES.



INSTALL NEW LED DRIVER ON THE BRACKET. RECONNECT DRIVER WIRES. INSERT NEW DRIVER IN THE HOUSING AND THEN INTO THE DRIVER BOX. PUSH ALL WIRES DEEP TO THE DRILED BOX AND PUSH LED DRIVER DOOR UNTIL CLICK.