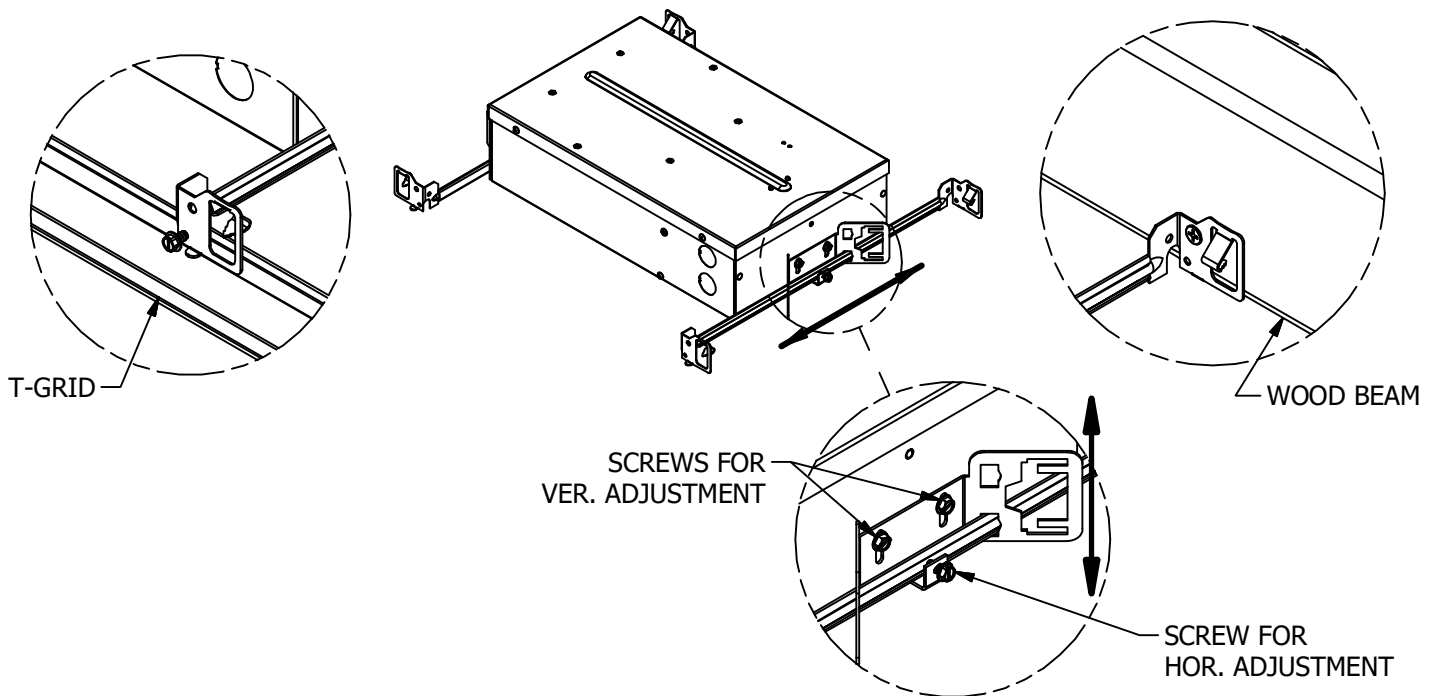


WARNING - RISK OF FIRE AND ELECTRICAL SHOCK. FIXTURE MUST BE INSTALLED BY A QUALIFIED ELECTRICIAN ONLY. FIXTURE IS INTENDED FOR INSTALLATION IN ACCORDANCE WITH THE NATIONAL ELECTRICAL CODE, LOCAL AND FEDERAL SPECIFICATIONS. DISCONNECT POWER AT ELECTRICAL PANEL BEFORE SERVICING.

RETAIN THESE INSTRUCTIONS FOR MAINTENANCE REFERENCE.

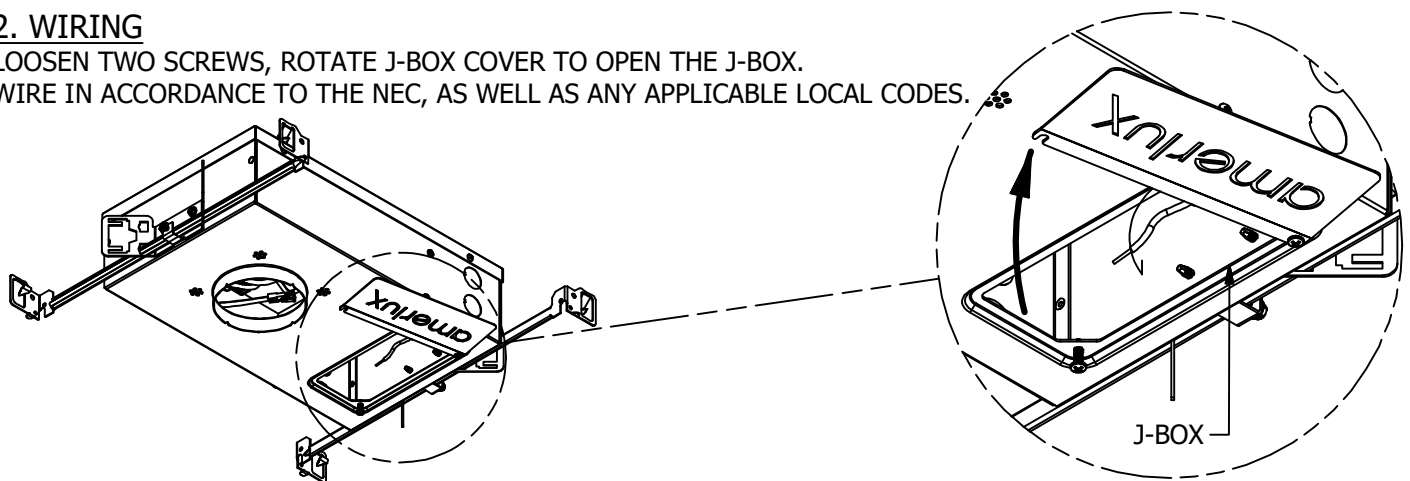
1. FRAME INSTALLATION / HORIZONTAL AND VERTICAL ADJUSTMENT

SPREAD HANGER BARS TO APPROPRIATE DISTANCE. FASTEN HANGER BARS TO STRUCTURAL MEMBERS (HARDWARE BY OTHERS). TIGHTEN SCREW ONCE FIXTURE IS CORRECTLY LOCATED. NOTCHES ARE PROVIDED FOR FASTENING TO STANDARD T-BAR GRID CEILING. FOR VERTICAL ADJUSTMENT LOOSEN TWO SCREWS, ADJUST FIXTURE HEIGHT SO THAT APERTURE RING SITS ABOVE CEILING SURFACE. TIGHTEN SCREWS ONCE ADJUSTED.



2. WIRING

LOOSEN TWO SCREWS, ROTATE J-BOX COVER TO OPEN THE J-BOX. WIRE IN ACCORDANCE TO THE NEC, AS WELL AS ANY APPLICABLE LOCAL CODES.



NOTE: ROUND FRAME INSTALLATION SHOWN. FOLLOW SAME PROCEDURE TO INSTALL SQUARE FRAME.

Amerlux, 178 Bauer Drive, Oakland, N.J. 07436, T: 973-882-5010, F: 973-882-2604 www.amerlux.com



INSTRUCTION SHEET

SOLACE ADJUSTABLE FIXTURE INSTALLATION

689-1048

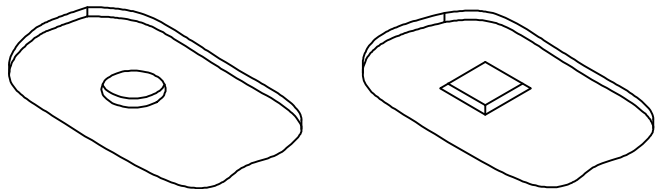
PAGE 2 OF 4

WARNING - RISK OF FIRE AND ELECTRICAL SHOCK. FIXTURE MUST BE INSTALLED BY A QUALIFIED ELECTRICIAN ONLY. FIXTURE IS INTENDED FOR INSTALLATION IN ACCORDANCE WITH THE NATIONAL ELECTRICAL CODE, LOCAL AND FEDERAL SPECIFICATIONS. DISCONNECT POWER AT ELECTRICAL PANEL BEFORE SERVICING.

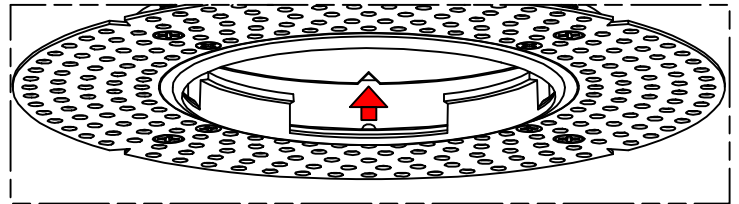
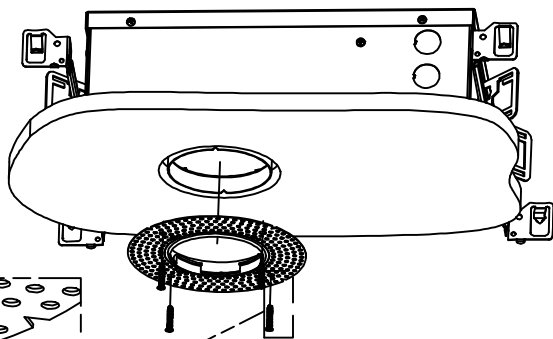
RETAIN THESE INSTRUCTIONS FOR MAINTENANCE REFERENCE.

3a. CEILING CUTOUT

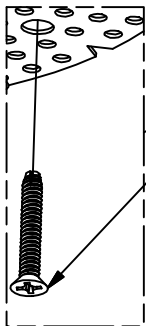
CEILING CUTOUT	
FIXTURE	DIMENSION
ROUND (RA)	Ø3 9/16"
SQUARE (SA)	3 9/16" x 3 9/16"
ROUND TRIMLESS (RA-TL)	Ø4 1/16"
SQUARE TRIMLESS (SA-TL)	4 1/16" x 4 1/16"



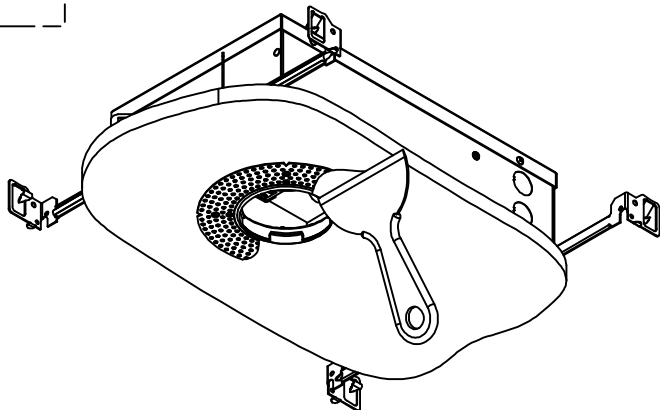
3b. PLASTER RING INSTALLATION (TRIMLESS ONLY)



IMPORTANT NOTE: REST ALIGNMENT MARKERS WITHIN THE NOTCHES OF APERTURE AS SHOWN. THIS IS CRITICAL FOR PROPER ALIGNMENT.



HARDWARE (SUPPLIED BY AMERLUX)
WARNING: IN CASE OF NON STARDAND CEILING SCREW LENGTH SHALL NOT EXCEED 1/4" MORE THAN CEILING THICKNESS



NOTE: ROUND FRAME INSTALLATION SHOWN. FOLLOW SAME PROCEDURE TO INSTALL SQUARE FRAME.

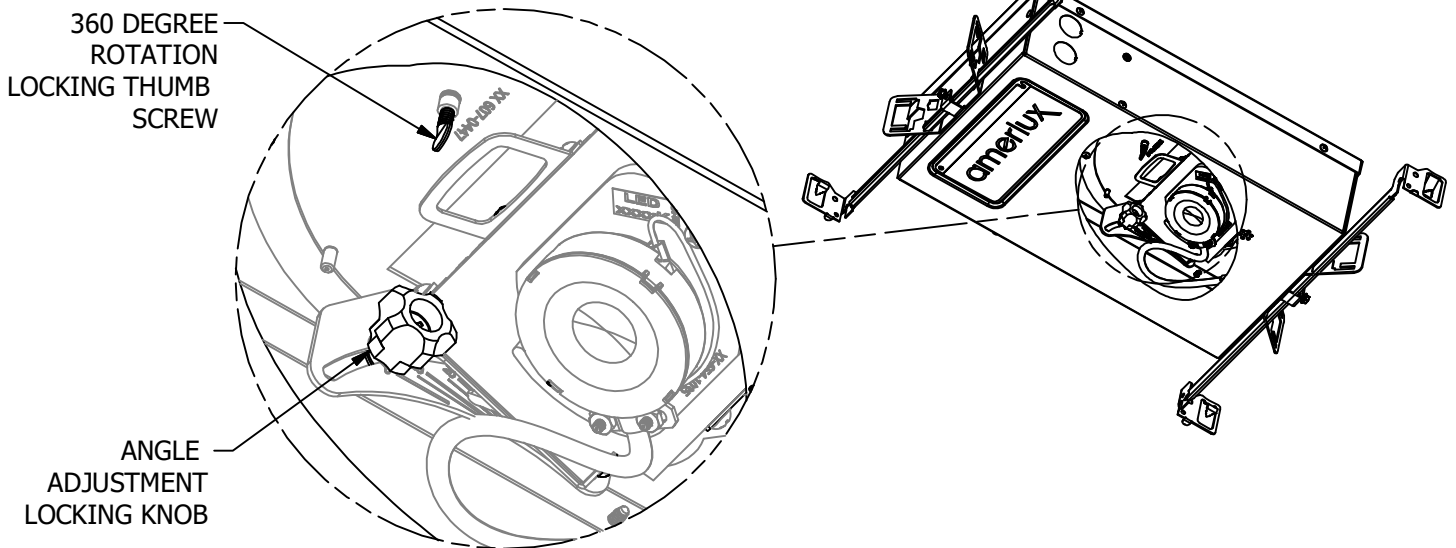
Amerlux, 178 Bauer Drive, Oakland, N.J. 07436, T: 973-882-5010, F: 973-882-2604 www.amerlux.com

WARNING - RISK OF FIRE AND ELECTRICAL SHOCK. FIXTURE MUST BE INSTALLED BY A QUALIFIED ELECTRICIAN ONLY. FIXTURE IS INTENDED FOR INSTALLATION IN ACCORDANCE WITH THE NATIONAL ELECTRICAL CODE, LOCAL AND FEDERAL SPECIFICATIONS. DISCONNECT POWER AT ELECTRICAL PANEL BEFORE SERVICING.

RETAIN THESE INSTRUCTIONS FOR MAINTENANCE REFERENCE.

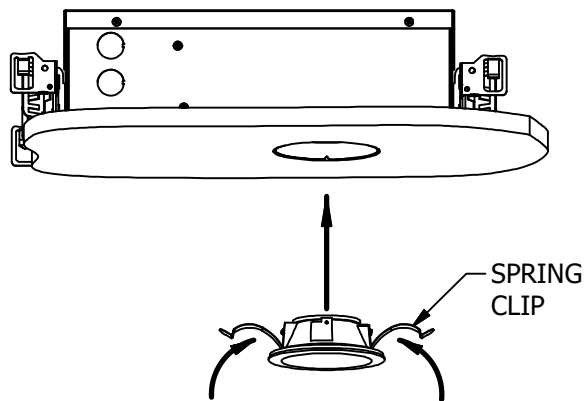
4. TILT ANGLE AND 360° ROTATION ADJUSTMENT

LOOSEN ANGLE ADJUSTMENT LOCKING KNOB. YOU WILL NEED TO REACH INTO THE HOUSING THROUGH THE TRIM OPENING. RE-TIGHTEN THE ANGLE ADJUSTMENT LOCKING KNOB AFTER DESIRED ANGLE IS ACHIEVED. FOR 360° ROTATION LOOSEN THUMB SCREW, ROTATE OPTICAL ASSEMBLY TO THE APPROPRIATE LOCATION, THEN RE-TIGHTEN THUMB SCREW.



5. TRIM INSTALLATION

COMPRESS AND HOLD TWO SPRING CLIPS, THEN LIFT TRIM INTO APERTURE



NOTE: ROUND FRAME INSTALLATION SHOWN. FOLLOW SAME PROCEDURE TO INSTALL SQUARE FRAME.

Amerlux, 178 Bauer Drive, Oakland, N.J. 07436, T: 973-882-5010, F: 973-882-2604 www.amerlux.com



INSTRUCTION SHEET

SOLACE ADJUSTABLE FIXTURE INSTALLATION

689-1048

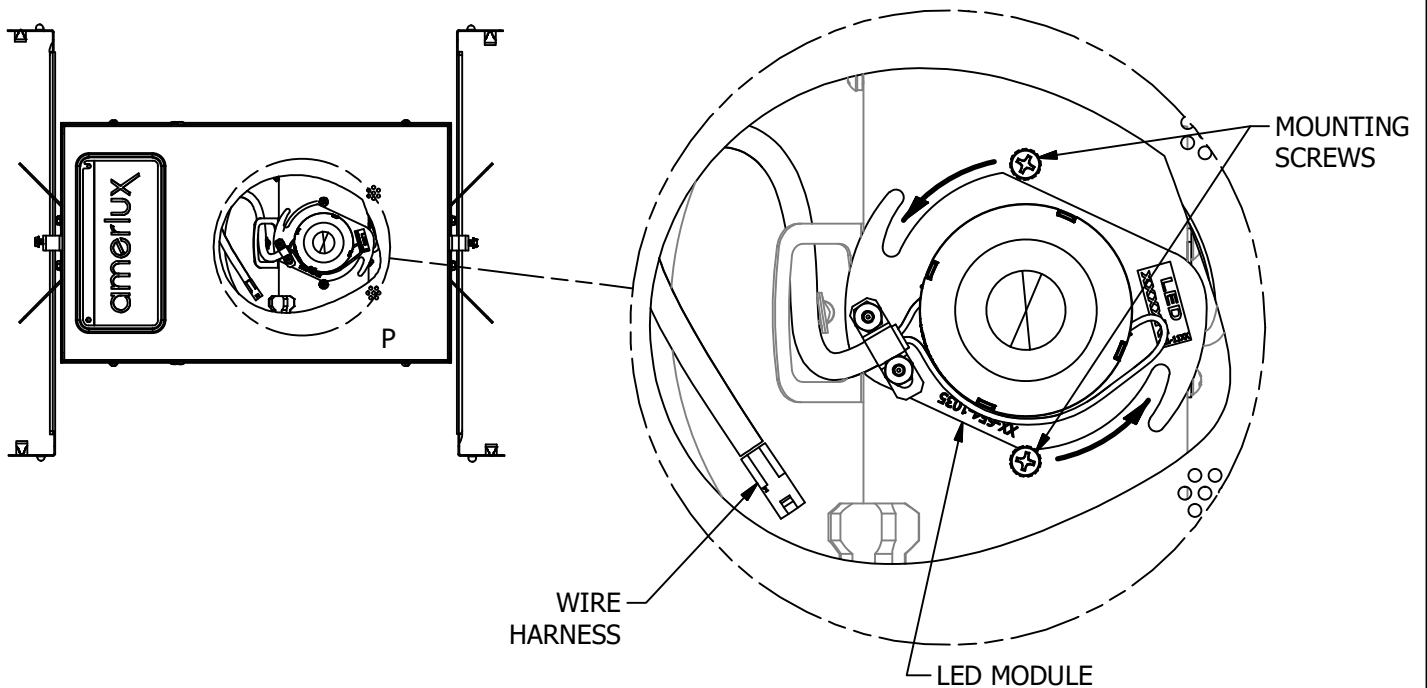
PAGE 4 OF 4

WARNING - RISK OF FIRE AND ELECTRICAL SHOCK. FIXTURE MUST BE INSTALLED BY A QUALIFIED ELECTRICIAN ONLY. FIXTURE IS INTENDED FOR INSTALLATION IN ACCORDANCE WITH THE NATIONAL ELECTRICAL CODE, LOCAL AND FEDERAL SPECIFICATIONS. DISCONNECT POWER AT ELECTRICAL PANEL BEFORE SERVICING.

RETAIN THESE INSTRUCTIONS FOR MAINTENANCE REFERENCE.

LED MODULE REPLACEMENT

ADJUST LED OPTIC ASSEMBLY ANGLE TO THE HORIZONTAL POSITION. DISCONNECT WIRE HARNESS. LOOSEN BUT DON'T REMOVE TWO MOUNTING SCREWS, THEN ROTATE LED MODULE COUNTERCLOCKWISE ALONG RADIAL SLOTS TO RELEASE IT. REVERSE STEPS TO INSTALL NEW LED MODULE.



NOTE: ROUND FRAME INSTALLATION SHOWN. FOLLOW SAME PROCEDURE TO INSTALL SQUARE FRAME.

Amerlux, 178 Bauer Drive, Oakland, N.J. 07436, T: 973-882-5010, F: 973-882-2604 www.amerlux.com

REVISION

DATE

APPROVED