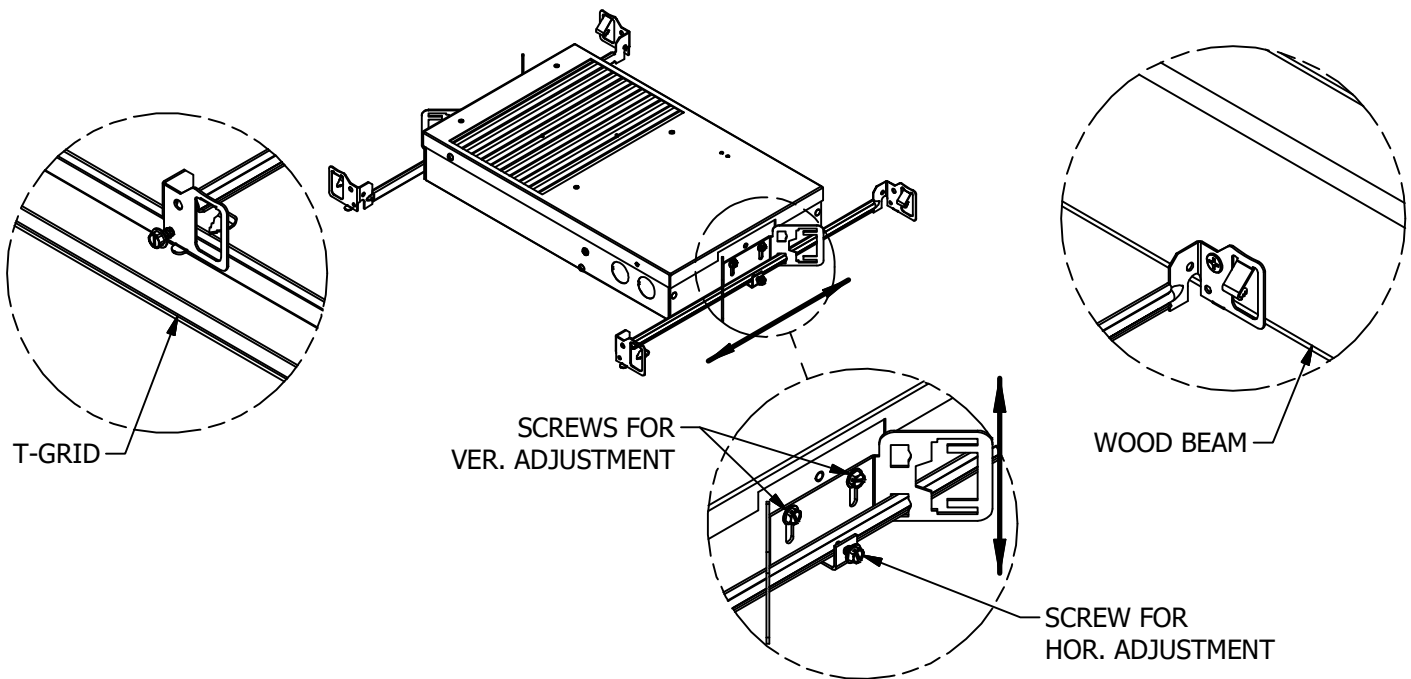


WARNING - RISK OF FIRE AND ELECTRICAL SHOCK. FIXTURE MUST BE INSTALLED BY A QUALIFIED ELECTRICIAN ONLY. FIXTURE IS INTENDED FOR INSTALLATION IN ACCORDANCE WITH THE NATIONAL ELECTRICAL CODE, LOCAL AND FEDERAL SPECIFICATIONS. DISCONNECT POWER AT ELECTRICAL PANEL BEFORE SERVICING.

RETAIN THESE INSTRUCTIONS FOR MAINTENANCE REFERENCE.

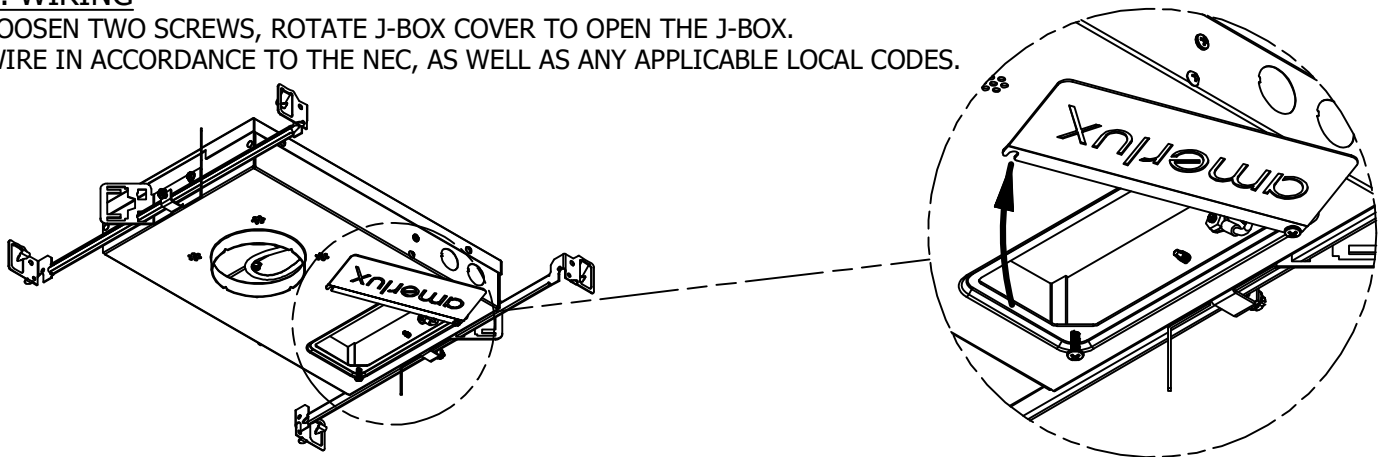
1. FRAME INSTALLATION / HORIZONTAL AND VERTICAL ADJUSTMENT

SPREAD HANGER BARS TO APPROPRIATE DISTANCE. FASTEN HANGER BARS TO STRUCTURAL MEMBERS (HARDWARE BY OTHERS). TIGHTEN SCREW ONCE FIXTURE IS CORRECTLY LOCATED. NOTCHES ARE PROVIDED FOR FASTENING TO STANDARD T-BAR GRID CEILING. FOR VERTICAL ADJUSTMENT LOOSEN TWO SCREWS, ADJUST FIXTURE HEIGHT SO THAT APERTURE RING SITS ABOVE CEILING SURFACE. TIGHTEN SCREWS ONCE ADJUSTED.



2. WIRING

LOOSEN TWO SCREWS, ROTATE J-BOX COVER TO OPEN THE J-BOX. WIRE IN ACCORDANCE TO THE NEC, AS WELL AS ANY APPLICABLE LOCAL CODES.



NOTE: ROUND FRAME INSTALLATION SHOWN. FOLLOW SAME PROCEDURE TO INSTALL SQUARE FRAME.

Amerlux, 178 Bauer Drive, Oakland, N.J. 07436, T: 973-882-5010, F: 973-882-2604 www.amerlux.com

INSTRUCTION SHEET



SOLACE ROUND/SQUARE DOWNLIGHT FIXTURE INSTALLATION

689-1047

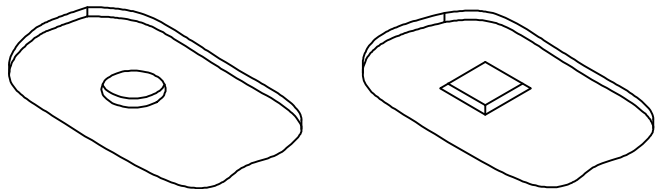
PAGE 2 OF 3

WARNING - RISK OF FIRE AND ELECTRICAL SHOCK. FIXTURE MUST BE INSTALLED BY A QUALIFIED ELECTRICIAN ONLY. FIXTURE IS INTENDED FOR INSTALLATION IN ACCORDANCE WITH THE NATIONAL ELECTRICAL CODE, LOCAL AND FEDERAL SPECIFICATIONS. DISCONNECT POWER AT ELECTRICAL PANEL BEFORE SERVICING.

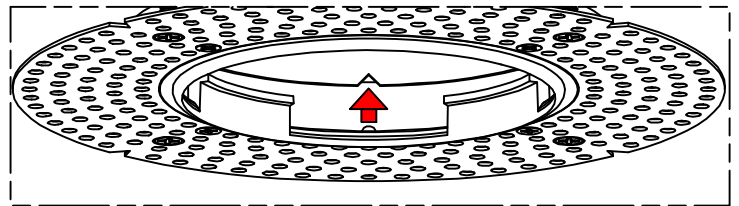
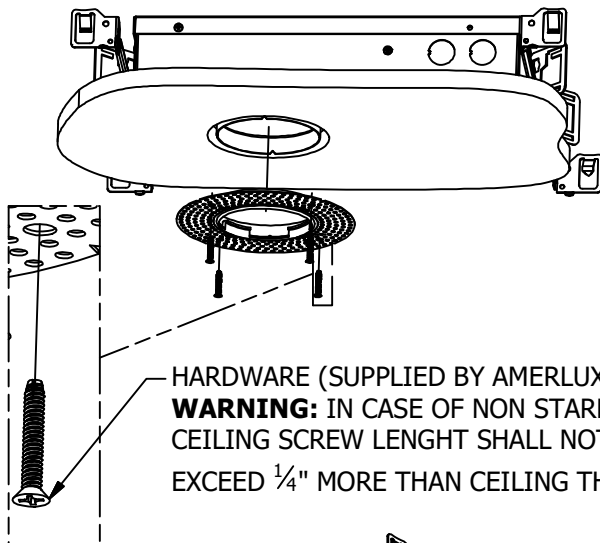
RETAIN THESE INSTRUCTIONS FOR MAINTENANCE REFERENCE.

3a. CEILING CUTOUT

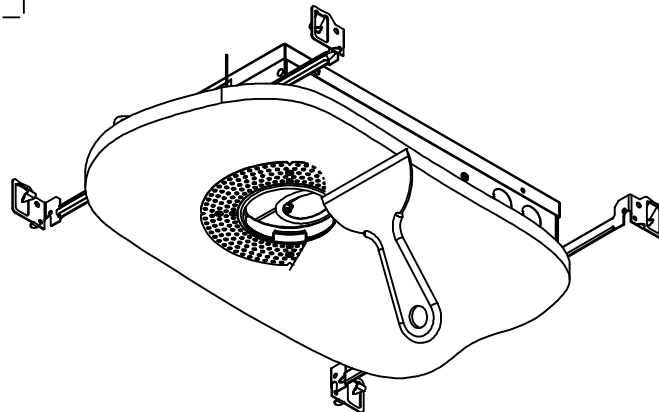
CEILING CUTOUT	
FIXTURE	DIMENSION
ROUND (RD)	Ø3 9/16"
SQUARE (SD)	3 9/16" x 3 9/16"
ROUND TRIMLESS (RD-TL)	Ø4 1/16"
SQUARE TRIMLESS (SD-TL)	4 1/16" x 4 1/16"



3b. PLASTER RING INSTALLATION (TRIMLESS ONLY)



IMPORTANT NOTE: REST ALIGNMENT MARKERS WITHIN THE NOTCHES OF APERTURE AS SHOWN. THIS IS CRITICAL FOR PROPER ALIGNMENT.



NOTE: ROUND FRAME INSTALLATION SHOWN. FOLLOW SAME PROCEDURE TO INSTALL SQUARE FRAME.

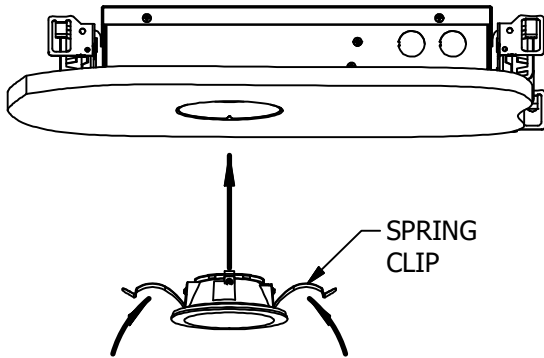
Amerlux, 178 Bauer Drive, Oakland, N.J. 07436, T: 973-882-5010, F: 973-882-2604 www.amerlux.com

WARNING - RISK OF FIRE AND ELECTRICAL SHOCK. FIXTURE MUST BE INSTALLED BY A QUALIFIED ELECTRICIAN ONLY. FIXTURE IS INTENDED FOR INSTALLATION IN ACCORDANCE WITH THE NATIONAL ELECTRICAL CODE, LOCAL AND FEDERAL SPECIFICATIONS. DISCONNECT POWER AT ELECTRICAL PANEL BEFORE SERVICING.

RETAIN THESE INSTRUCTIONS FOR MAINTENANCE REFERENCE.

5. TRIM INSTALLATION

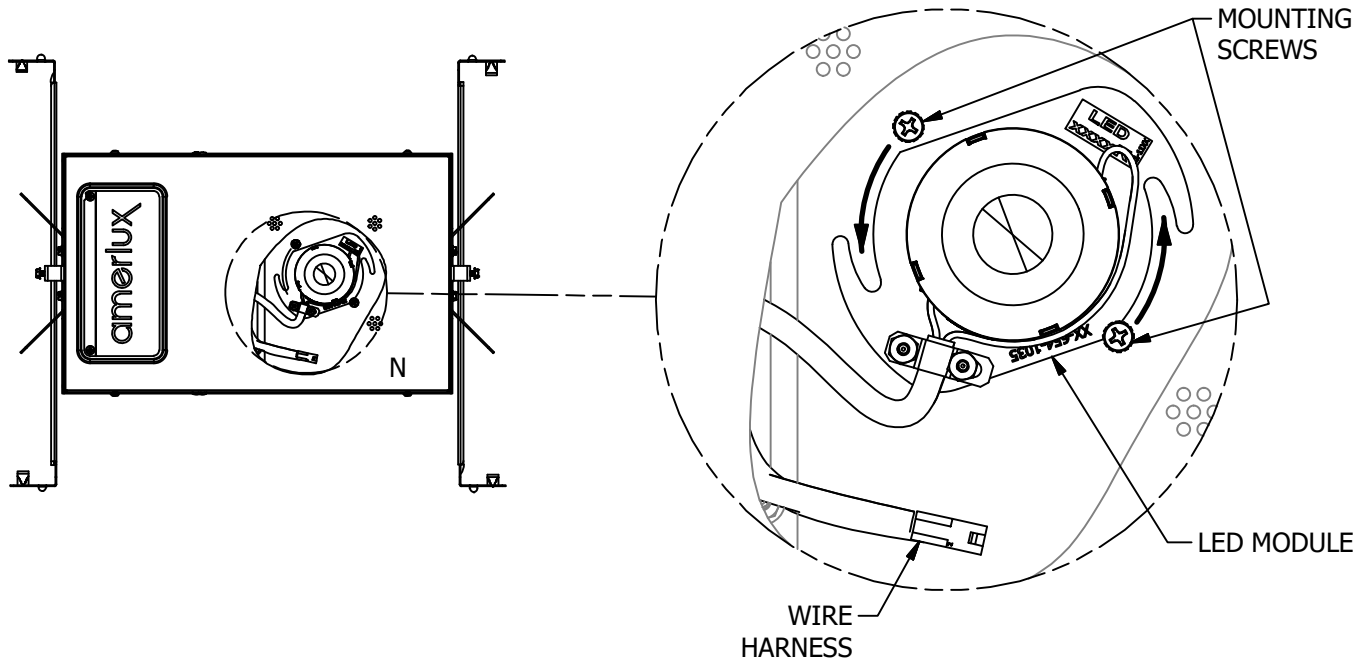
COMPRESS AND HOLD TWO SPRING CLIPS, THEN LIFT TRIM INTO APERTURE



LED MODULE REPLACEMENT

DISCONNECT WIRE HARNESS.

LOOSEN BUT DON'T REMOVE TWO MOUNTING SCREWS, THEN ROTATE LED MODULE COUNTERCLOCKWISE ALONG RADIAL SLOTS TO RELEASE IT. REVERSE STEPS TO INSTALL NEW LED MODULE.



NOTE: ROUND FRAME INSTALLATION SHOWN. FOLLOW SAME PROCEDURE TO INSTALL SQUARE FRAME.

Amerlux, 178 Bauer Drive, Oakland, N.J. 07436, T: 973-882-5010, F: 973-882-2604 www.amerlux.com