

Mini Cavaletto®

Recessed Adjustable Wall Wash



PROJECT:

TYPE:

Features

The Mini Cavaletto LED is a compact, recessed adjustable wall wash luminaire for commercial and retail environments. The high-performance optical head with various wattage options can be flush with the ceiling line to provide general illumination or pulled down (up to a 45-degree tilt) for wall washing or menu board lighting. Spaced up to 8' on center, the Mini Cavaletto LED produces an even gradient of light for any vertical surface.



Product Overview

Type: Recessed Adjustable Wall Wash
Wattage: 25W, 34W, 42W, 51W
Color Temp: 2700K, 3000K, 3500K, 4000K
CRI: 83 typ. (2700K, 3000K, 3500K, 4000K)
90+ typ. (2700K, 3000K)
CrispWhite & 3K Class A LEDs available
Dimming: TRIAC & ELV, 5% Dim, 120/277VAC
0-10V, 1% Dim, 120/277VAC

Certifications



Fixture Summary

Performance Data

Watts	Delivered Lumens	LPW	CBCP	Color Temp-CRI
25	1820	72.8	1015	3000K-83
34	2488	73.2	1388	3000K-83
42	3444	81	1873	3000K-83
51	3714	73.3	2072	3000K-83

Data is based on 51W 3000K-83 120V IES files available on website.

Electrical Data

Voltage	25W		34W		42W		51W	
	System Watts	Amps	System Watts	Amps	System Watts	Amps	System Watts	Amps
120V	25	0.21	34	0.28	42	0.35	51	0.43
277V	25	0.09	34	0.12	42	0.15	51	0.18

Electronic constant current LED driver.

Mini Cavaletto®

Recessed Adjustable Wall Wash



PROJECT:	TYPE:
----------	-------

Ordering Information - Housing/Frame

MCAV-FRAME-A17

- 1
- 2
- 3
- 4

1	Model	2	Wattage	3	Voltage	4	Driver <i>(for non-dimming, select LE/TE option)</i>
	MCAV-FRAME-A17		25 34 42 51		120 277		LE/TE TRIAC/ELV dimming, 5% dim 0-10V 0-10V dimming, 1% dim (42W max)

Ordering Information - Trim

MCAV-A17

- 1
- 2
- 3
- 4

1	Model	2	Finish	3	Beam Spread	4	Color Temp															
	MCAV-A17		WT white texture		WW wall wash		<table style="width: 100%; border: none;"> <tr> <td style="width: 33%;"><u>83 CRI</u></td> <td style="width: 33%;"><u>90+ CRI</u></td> <td></td> </tr> <tr> <td>27 2700K-83</td> <td>279 2700K-90+</td> <td>CRISP CrispWhite</td> </tr> <tr> <td>30 3000K-83</td> <td>309 3000K-90+</td> <td>3CLA 3K Class A</td> </tr> <tr> <td>35 3500K-83</td> <td></td> <td></td> </tr> <tr> <td>40 4000K-83</td> <td></td> <td></td> </tr> </table>	<u>83 CRI</u>	<u>90+ CRI</u>		27 2700K-83	279 2700K-90+	CRISP CrispWhite	30 3000K-83	309 3000K-90+	3CLA 3K Class A	35 3500K-83			40 4000K-83		
<u>83 CRI</u>	<u>90+ CRI</u>																					
27 2700K-83	279 2700K-90+	CRISP CrispWhite																				
30 3000K-83	309 3000K-90+	3CLA 3K Class A																				
35 3500K-83																						
40 4000K-83																						

Mini Cavaletto®

Recessed Adjustable Wall Wash



PROJECT:

TYPE:

Specifications

Application

Retail and commercial wall wash lighting

Construction

Extruded aluminum heat sink
Formed steel trim and upper housing
Thermally protected
Integral Visor (*standard*)

Optical

Wall Wash beam distribution
0-55° tilt

LED

Color Temp Options: 2700K, 3000K, 3500K, 4000K, CRISP, Class A
CRI: 83 typ. (2700K, 3000K, 3500K, 4000K)
90+ typ. (2700K, 3000K)
CrispWhite* and Class A** 3000K (high CRI, high gamut) available
(see description below)

R9 Values: 11 (83 CRI), 55 (92 CRI)

Binning: 3 MacAdam (SDCM)

Life: 50,000+ hrs, > 70% of initial lumens at 50,000 hrs

* *CrispWhite: CrispWhite Technology delivers the warmth of colors expected from a high 90 CRI solution but also creates the natural crisp white color that is pleasing to the eye. It creates the most impactful lighting ever available, by revealing the richest whites and vibrant colors that pop.*

** *Class A LED: Class A LED's have a CRI > 80 and a GAI > 80. CRI defines color "Naturalness" and GAI defines color "Saturation." Both being high delivers rich colors and pure whites.*

Electrical

Wattage: 25W, 34W, 42W, 51W

Electronic constant current LED driver, 120/277VAC input

This product complies with IEEE C62.41 for surge endurance up to 2.5KV.

Amerlux® recommends using additional surge protection with this unit (supplied by others), surge and over voltage damage is not covered under warranty.

Drivers

LE/TE - Leading Edge (*Triac, Forward Phase*) or Trailing Edge (*ELV, Reverse Phase*)

0-10V dimming (*42W max*) also available

See pages 6-7 for more dimming information

Finish

Powder coat paint

Mounting

For use in T-Grid or GB ceilings; max ceiling

Housing can be adjusted to accommodate a 2" ceiling max

26" adjustable hanger bars included

Optional hanger bars from min 29" to max 49" available, consult factory

Certifications

CSA damp location approved to UL standards

For indoor use only

Warranty

5 year limited warranty

Mini Cavaletto®

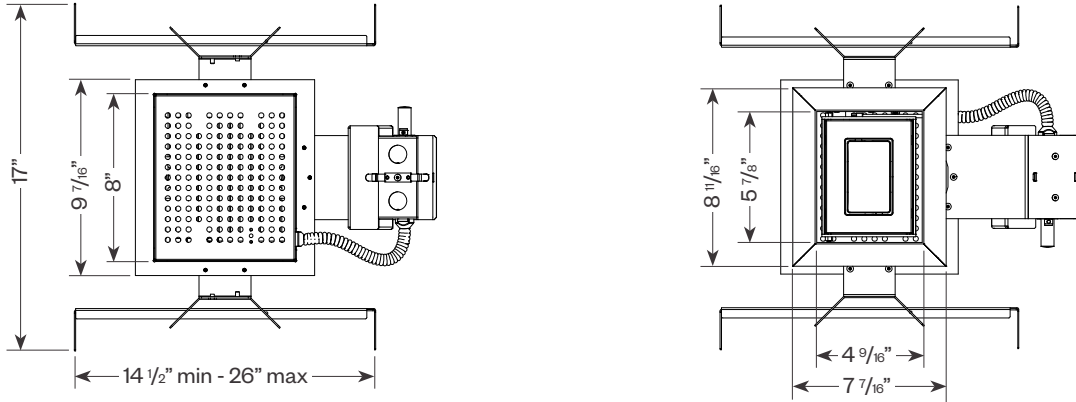
Recessed Adjustable Wall Wash



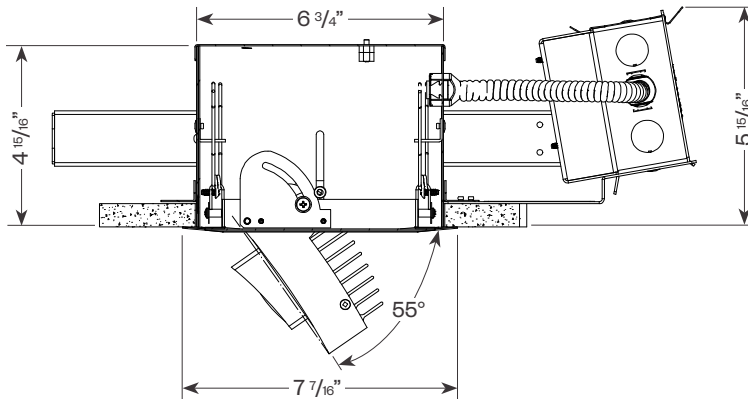
PROJECT:

TYPE:

Product Details



Ceiling cut out: $6 \frac{3}{4}'' \times 8''$



Mini Cavaletto®

Recessed Adjustable Wall Wash



PROJECT:

TYPE:

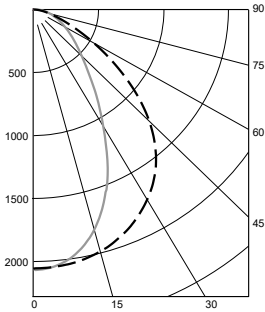
Performance Data

Multiplying Factors: (Multiplying Factor is based on 3000K-83 120V IES file on website)

Wattage:	25W	34W	42W	51W
Factor:	0.49	0.67	0.82	1.0

CCT:	2700K-83	3000K-83	3500K-83	4000K-83	2700K-90+	3000K-90+	CRISP	3CLA
Factor:	0.96	1.0	1.02	1.04	0.80	0.83	0.65	0.75

51W LED (3000K-83)
LTL #1124974
Lumens: 3714



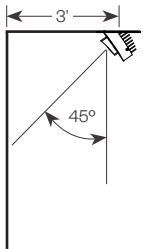
ZONAL LUMEN SUMMARY

Zone	Lumens	%Fixt
0-40	2225	59.9
0-60	3288	88.5
0-90	3709	99.9
90-180	4	0.01

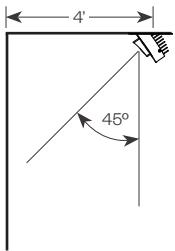
Luminaire Efficacy: 73.3 Lm/W

Application Data (footcandles on wall)

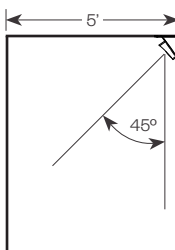
Footcandles are average and rounded off. Data for multiple units are based on a minimum of five units.



Distance from ceiling	6'					6'				
	0.5'	1.5'	2.5'	3.5'	4.5'	0.5'	1.5'	2.5'	3.5'	4.5'
0.5'	95	133	108	74	50	98	135	109	75	50
1.5'	98	135	109	75	50	76	107	82	56	35
2.5'	107	133	108	74	50	81	103	77	53	35
3.5'	81	103	82	56	35	64	69	50	35	26
4.5'	64	69	50	35	26	48	47	35	26	20
5.5'	48	47	35	26	20	34	35	26	20	16
6.5'	34	35	26	20	16	26	26	20	16	15
7.5'	26	26	20	16	15	20	20	16	15	15
8.5'	20	20	16	15	15	16	16	15	15	15



Distance from ceiling	8'				8'			
	0.5'	1.5'	2.5'	3.5'	0.5'	1.5'	2.5'	3.5'
0.5'	52	75	60	45	52	75	60	45
1.5'	52	75	60	45	44	63	49	35
2.5'	44	63	49	35	42	66	55	40
3.5'	42	66	55	40	35	55	43	31
4.5'	35	55	43	31	31	43	31	25
5.5'	31	43	31	25	25	31	25	20
6.5'	25	31	25	20	20	25	20	16
7.5'	20	25	20	16	20	20	16	16
8.5'	16	20	16	16	16	16	16	16



Distance from ceiling	8'				8'			
	0.5'	1.5'	2.5'	3.5'	0.5'	1.5'	2.5'	3.5'
0.5'	35	49	35	27	35	49	35	27
1.5'	35	49	35	27	32	45	32	24
2.5'	32	45	32	24	32	44	32	24
3.5'	32	44	32	24	29	43	29	22
4.5'	29	43	29	22	29	41	29	22
5.5'	29	41	29	22	28	40	28	21
6.5'	28	40	28	21	28	38	28	21
7.5'	28	38	28	21	24	36	24	19
8.5'	24	36	24	19	24	34	24	19

Mini Cavaletto®

Recessed Adjustable Wall Wash



PROJECT:

TYPE:

Dimming Compatibility

Amerlux® Mini Cavaletto® fixtures are compatible with all major dimming protocols prevalent in the United States. Please see below for general compatibilities and wiring diagrams. Amerlux recommends testing your unique dimming configuration as the exact full configuration (*Dimmer, Fixture Quantity, Voltage, etc*) may affect dimming performance.

--- NOTE: INFORMATION BELOW IS FOR WIRED DIMMERS ONLY. FOR WIRELESS DIMMERS, CONSULT FACTORY ---

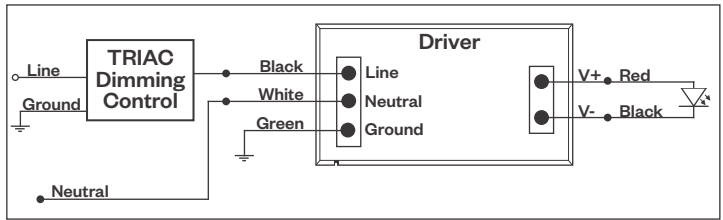
TRIAC (Forward Phase) Dimming

Utilizes standard TRIAC dimmers that are in wide use in installations across the US. Best for retrofit applications where TRIAC dimmers are installed.

Notes:

- 120VAC or 277VAC*
- Dims down to 5% light output (*most cases*)
- Consult Dimming manufacturer for installation instructions - **DO NOT SHARE NEUTRALS!**
- Must meet dimmer Minimum Load Requirements per dimming manufacturer

TRIAC Wiring Diagram



Compatible Dimmers†:	
Wall Box (TRIAC 120VAC)	Central System
Lutron "Diva"	Lutron "GP" Panel
Lutron "Nova-T"	Lutron Grafik Eye QS
Lutron "Maestro"	
Lutron "Skylark"	

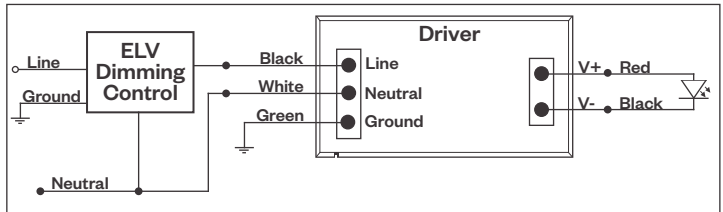
ELV - Electronic Low Voltage (Reverse Phase) Dimming

Utilizes specialized "ELV" dimmers.

Notes:

- 120VAC or 277VAC*
- Dims down to 5% light output (*most cases*)
- Consult Dimming manufacturer for installation instructions - **DO NOT SHARE NEUTRALS!**
- Must meet dimmer Minimum Load Requirements per dimming manufacturer

ELV Wiring Diagram



Compatible Dimmers†:		
Wall Box (ELV 120VAC)	Wall Box (ELV 277VAC)	Central System
Lutron "Diva"	Leviton Revoir II AWSMT-E	Lutron "GP" Panel with PHPM-PA 120/277VAC
Lutron "Nova-T"		Lutron Grafik Eye QS with PHPM-PA 120/277VAC
Lutron "Maestro"		
Lutron "Skylark"		
Leviton "Surslide"		
Leviton "Vizio"		

Notes:

* Driver is 277VAC dimmable with appropriate dimmer (*by others*). All provided wiring diagrams show 120VAC wiring colors and method. Please refer to 277VAC dimmer installation instructions for 277VAC wiring diagrams.

† The absence of a dimmer from the lists above does not imply incompatibility. Please consult factory for compatibility inquiries.

Mini Cavaletto®

Recessed Adjustable Wall Wash



PROJECT:

TYPE:

Dimming Compatibility *(continued)*

Amerlux® Mini Cavaletto® fixtures are compatible with all major dimming protocols prevalent in the United States. Please see below for general compatibilities and wiring diagrams. Amerlux recommends testing your unique dimming configuration as the exact full configuration (*Dimmer, Fixture Quantity, Voltage, etc*) may affect dimming performance.

--- NOTE: INFORMATION BELOW IS FOR WIRED DIMMERS ONLY. FOR WIRELESS DIMMERS, CONSULT FACTORY ---

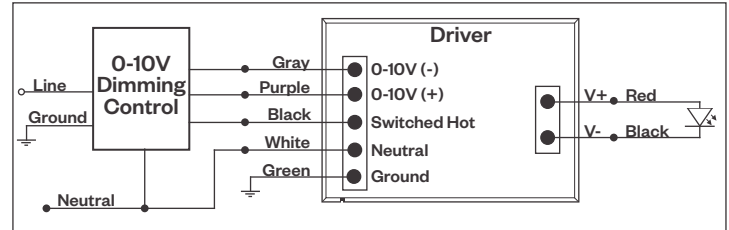
0-10V Dimming

Integrates into a variety of building management and daylighting controls

Notes:

- 120VAC or 277VAC*
- Dims down to 1% light output
- Requires interface to turn off power to driver
- Consult Dimming manufacturer for installation instructions - **DO NOT SHARE NEUTRALS!**

0-10V Wiring Diagram



Compatible Dimmers†:

Wall Box		Central System
Lutron "Diva" - DVSTV	Leviton Renoir II 0-10V	Lutron Grafik Eye with GRX-TVI Interface

Notes:

* Driver is 277VAC dimmable with appropriate dimmer (*by others*). All provided wiring diagrams show 120VAC wiring colors and method. Please refer to 277VAC dimmer installation instructions for 277VAC wiring diagrams.

† The absence of a dimmer from the lists above does not imply incompatibility. Please consult factory for compatibility inquiries.