

HORNET® HP DOWNLIGHT

3.5" SQUARE LENSED DOWNLIGHT TRIMLESS LED INTERNATIONAL

I-HDL-HP-SLD-A14-TL
LED



APPLICATIONS:

Retail and commercial ambient lighting

CONSTRUCTION:

Die-cast aluminum trim ring
Cast aluminum plaster frame with perforated face
Die-cast optical housing and trim
Extruded aluminum heat sink

ELECTRICAL:

Electronic constant current LED driver, 240v input
ELV and Triac dimming standard

This product complies with IEEE C62.41 for surge endurance up to 2.5KV. Amerlux® recommends using additional surge protection with this unit (supplied by others), surge damage is not covered by warranty.

OPTICS:

High reflectance, highly diffuse mixing chamber
Engineered nano technology lens provides transmission while concealing LED image
LED:

Color Temp Options: 2200K, 2700K, 3000K, 3500K, 4000K
CRI: 83 typ. (2700K, 3000K, 3500K, 4000K)
90+ typ. (2200K, 2700K, 3000K)

Optional Amerlux CrispWhite technology
R9 Value: 11 (83CRI), 55 (90+CRI)
Binning: 3 MacAdam (SDMC)

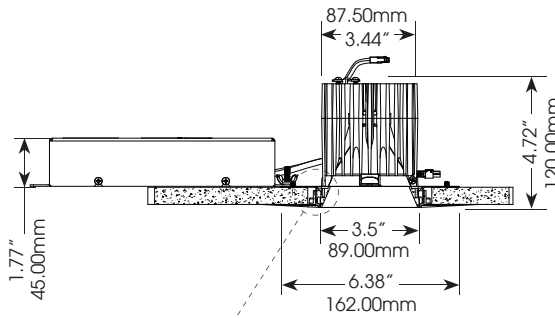
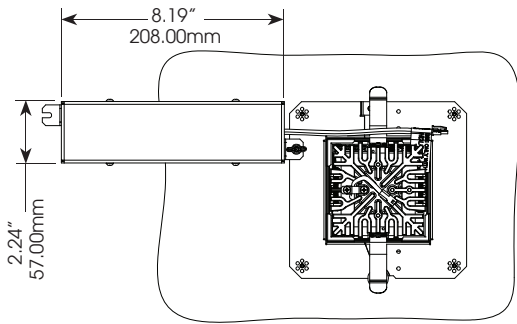
Life: 50,000 hrs
Lumen Maintenance: >70% of initial lumens @ 50,000 hrs
Lumen Output (at 3000K):
Very Wide Flood (75°): 14W - 1028 lm, 21W - 1477 lm

LABELING:

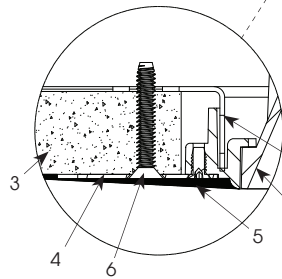
CE pending
For indoor use only
Damp location

PROJECT:

TYPE:



Ceiling Cut Out Dimension: 4.5" (114.5 mm)



1. Reflector Trim
2. Die-cast trim ring
3. Ceiling 1/2" (1" Max.)
4. Cast Aluminum Plaster Frame
5. Plaster Skim Coat (by others)
6. #6 Screw (by others)



114.5 mm

ELECTRICAL

Electronic driver		14W		21W	
System	Watts	Amps	System	Watts	Amps
240V	14	0.06	21	0.09	

3 year limited warranty
AMERLUX INTERNATIONAL
(see website for details)

ORDERING INFORMATION:

Model	Wattage	Lamp Type	Voltage	Aperture Finish	Color Temp (CCT-CRI)	Listing Code	Options
I-HDL-HP-SLD-A14-TL	14 21	LED	240	MB - matte black MW - matte white SLV - matte silver	27 - 2700K-83 30 - 3000K-83 35 - 3500K-83 40 - 4000K-83 229 - 2200K-90+ 279 - 2700K-90+ 309 - 3000K-90+	CE	DALI - DALI driver
					CRISP - CrispWhite 3CLA - 3K Class A		

Example: I-HDL-HP-SLD-A14-TL-21-LED-240-MW-30-CE

Cat #:

Amerlux reserves the right to change details that do not affect overall function and performance.



HORNET® HP DOWNLIGHT

3.5" SQUARE LENSED DOWNLIGHT TRIMLESS LED INTERNATIONAL

I-HDL-HP-SLD-
A14-TL
LED



TYPE:

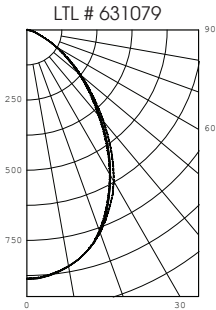


FIXTURE DATA: For 14W data, multiply by 0.67

Complete photometric data (ies format) available upon request.

CCT Conversion Factor: 2700K-83 = 0.96; 3500K-83 = 1.02; 4000K-83 = 1.04; 2200K-90+ = 0.71; 2700K-90+ = 0.80; 3000K-90+ = 0.83; CRISP = 0.65; 3CLA = 0.75

21W LED 3000K-83

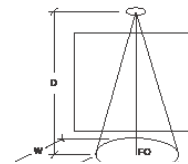


Candelas at Nadir	
Deg	Candela
0	887
5	879
15	819
25	678
35	494
45	315

APPLICATION DATA:

Notes and Definitions:

Beam spread is to 50% center beam candlepower (CBCP).
 D=Distance to floor or wall.
 FC=Footcandles on floor or wall at center beam aiming location.
 L=Effective Visual Beam length in feet (50% of maximum footcandle level).
 W=Effective Visual Beam width in feet (50% of maximum footcandle level).
 CB=Distance across or down to center beam location.



0° Aiming Angle
Horizontal
Footcandles

D	FC	L	W
5.0'	34	5.4	5.4
7.5'	16	8.1	8.1
10.0'	9	10.9	10.9
12.5'	6	14.0	14.0