

Hornet® HP

3.5" Square Downlights

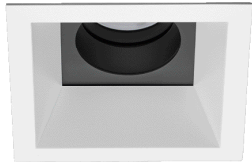


Features

Small in size but big on performance. The Hornet® downlights deliver the output of the 20W ceramic metal halide, but with the control and crisp color of the MR16 halogen. 3.5" round trim available as a fixed downlight, adjustable or pinhole adjustable aperture. Remodeler, Trimless and Millwork options available.

Product Overview

Type: Recessed Square Downlight
 Wattage: 13, 18, 20
 Lumen Output: 1,305 max; 65 Lm/W (spot optic)
 CBCP: 12,503 max (spot optic)
 Color Temp: 2200K, 2700K, 3000K, 3500K, 4000K, CRISP
 CRI: 83 typ. (2700K, 3000K, 3500K, 4000K)
 90+ typ. (2200K, 2700K, 3000K, 3500K, 4000K)
 CrispWhite (18W max) & 3K Class A available
 Dimming: TRIAC & ELV (120/277VAC) - 5% Dim
 Lutron LDE1 Hi-lume® 1% Soft-On/Fade-to-Black (120/277VAC)
 0-10V (120/277VAC) - 1% Dim
 DALI (120/277VAC) - 1% Dim



Downlight



Adjustable
(Trimless version shown)



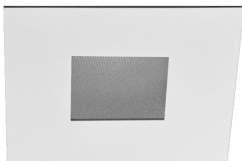
Adjustable
(Millwork version shown)

PROJECT:

TYPE:



Pinhole Adjustable



Pinhole Adjustable Shower

Fixture Type

| Round/Square | New Construction | Remodeler | Trim | Trimless | Millwork |
|--------------|------------------|-----------|------|----------|----------|
| Yes | Yes | Yes | Yes | Yes | Yes |

See separate spec sheet for Round trims

Performance Chart

| Watts | Delivered Lumens | LPW | CBCP | Color Temp |
|-------|------------------|-----|--------|------------|
| 13 | 848 | 65 | 8,127 | 3000K-83 |
| 18 | 1,175 | 65 | 11,253 | 3000K-83 |
| 20 | 1,305 | 65 | 12,503 | 3000K-83 |

Data is based on 3000K-83 IES files available on website
 Data is based on Spot optic. See pg 6 for other beam spreads
 All wattage and LPW includes 2W thermal protector

Electrical Data

| | 13W | | 18W | | 20W | |
|------|--------------|------|--------------|------|--------------|------|
| | System Watts | Amps | System Watts | Amps | System Watts | Amps |
| 120V | 13 | 0.11 | 18 | 0.15 | 20 | 0.17 |
| 277V | 13 | 0.05 | 18 | 0.06 | 20 | 0.07 |

Electronic constant current LED driver



5 year limited warranty
AMERLUX LED



Hornet® HP

3.5" Square Downlights



PROJECT:

TYPE:

Housing/Frame Ordering Information

| 1 | 2 | 3 | 4 | 5 | 6 |
|--|---|---|---|--|---|
| <p>1 <u>Model</u> For New Construction HDL-HP-S-NC-A17[†] (New Construction) HDL-HP-S-CP-A17[†] (Chicago Plenum (CCEA) housing) HDL-HP-S-IC-A17^{†T24} (Insulated Ceiling/air tight, 13W & 18W only) For Existing Ceilings HDL-HP-S-REM-A17[†] (Remodeler)</p> | <p>2 <u>Style</u> T - trimmed TL - trimless MWK^R - millwork (for 1/2" - 11/16" ceiling thickness) MWK1^R - millwork (for 3/4" - 1-1/2" ceiling thickness) MWK2^R - millwork (for 1-1/2" - 2" ceiling thickness) ^R Not available for use with Remodeler model</p> | <p>3 <u>Wattage</u> 13^{T24} 18^{T24} 20 (not available for use with IC housing)</p> | <p>4 <u>Voltage</u> 120 277 120/277 (for use with IC housing only)</p> | <p>5 <u>Driver</u> (for non-dimming, select LE/TE option) LE/TE^{T24} - TRIAC/ELV dimming HILUME-H-ECO - Lutron LDE1 Hi-lume® 1% Soft-On/ Fade-to-Black 0-10V^{T24} - 0-10V dimming, 1% dim DALI - DALI dimming, 1% dim</p> | <p>6 <u>Options/Accessories</u> EM - emergency battery pack with remote test switch (not available for use with REM, CP or IC options) HB49 - hanger bars from min 29" to max 49" (not available for use with REM options)</p> |

Trim Ordering Information

| 1 | 2 | 3 | 4 | 5 | 6 |
|---|---|--|--|---|---|
| <p>1 <u>Model</u> HDL-HP-SD-A17[†] (downlight) HDL-HP-SA-A17[†] (adjustable) HDL-HP-SPA-A17[†] (pinhole adjustable) HDL-HP-SPASHW-A17[†] (shower, not available in trimless)</p> | <p>2 <u>Style</u> T - trimmed TL - trimless (not for use with SPASHW trim) MWK - millwork (not available for use with SPASHW trim)</p> | <p>3 <u>Finish - SD/SA Trims:</u> <u>Trimmed</u> MBW - matte black, white flange MWW - matte white, white flange SLVW - matte silver, white flange MBB - matte black, black flange SLVS - matte silver, silver flange <u>Trimless/Millwork</u> MB - matte black MW - matte white SLV - matte silver <u>Finish - SPA/SPASHW Trims (Trimmed, Trimless or Millwork):</u> MB - matte black MW - matte white SLV - matte silver PC - polished chrome (not available for use with MWK) BN - brushed nickel (not available for use with MWK)</p> | <p>4 <u>Beam Spreads</u> SD/SA SPA/SPASHW SP^{T24} SP^{T24} NF^{T24} NF^{T24} MFL^{T24} MFL^{T24} FL^{T24} FL^{T24} WF^{T24} VWF^{T24} LS SP - spot 15°, NF - narrow flood 22°, MFL - medium flood 25°, FL - flood 28°, WF - wide flood 45°, VWF - very wide flood 60°, LS - linear spread lens 60° x 10°</p> | <p>5 <u>Color Temp</u> 83 CRI 90+ CRI^{T24} 27 - 2700K-83 229 - 2200K-90+ CRISP - CrispWhite 30 - 3000K-83 279 - 2700K-90+ (18W max) 35 - 3500K-83 309 - 3000K-90+ 3CLA - 3K Class A 40 - 4000K-83 359 - 3500K-90+ 409 - 4000K-90+</p> | <p>6 <u>Options/Accessories</u> HEX - hexcell louver (not available for use with SPASHW trim) SOL - solite beam softening lens (comes standard with SPASHW trim)</p> |

^{T24} JA8/Title 24 Compliant

[†] The "A" refers to the sequential revision in a year and "XX" refers to the year of update. Updates coincide with improved performance while not changing the overall fixture aesthetic and are reflected in the published performance data. Please contact your Amerlux representative for explanations of changes.

Hornet® HP

3.5" Square Downlights



PROJECT:

TYPE:

Specifications

Application

Retail and commercial ambient, accent & display lighting

Construction

- 20 ga. galvanized steel frame
- 18 ga. galvanized steel splice housing and hanger brackets (not for Remodeler version)
- Cast aluminum plaster frame with perforated face (for trimless version only)
- Die-cast optical housing and trim
- Die-cast heat sink

Optical

- Tilt: 0-30° (RA/RPAS trims), 0-20° (RPA/RPASHW trims)
- Beam spreads: Spot, 15°; Narrow Flood, 22°; Medium Flood, 25°; Flood, 28°; Wide Flood, 45°; Very Wide Flood, 60°; Linear Spread, 60° x 10°

LED

- Color Temp Options: 2200K, 2700K, 3000K, 3500K, 4000K
- CRI: 83 typ. (2700K, 3000K, 3500K, 4000K)
90+ typ. (2200K, 2700K, 3000K, 3500K, 4000K)
- CrispWhite* LED available, 18W max
- Class A** 3000K (high CRI, high gamut)
- R9 Values: 11 (83 CRI), 55 (92 CRI)
- Binning: 3 MacAdam (SDCM)
- Life: 50,000+ hrs, > 70% of initial lumens at 50,000 hrs
- *CrispWhite: CrispWhite Technology delivers the warmth of colors expected from a high 90 CRI solution but also creates the natural crisp white color that is pleasing to the eye. It creates the most impactful lighting ever available, by revealing the richest whites and vibrant colors that pop.*
- **Class A LED: Class A LED's have a CRI > 80 and a GAI > 80. CRI defines color "Naturalness" and GAI defines color "Saturation." Both being high delivers rich colors and pure whites.*

Electrical

- Wattage: 13, 18, 20
- Electronic constant current LED driver, 120/277VAC input
- This product complies with IEEE C62.41 for surge endurance up to 2.5KV. Amerlux® recommends using additional surge protection with this unit (supplied by others), surge and over voltage damage is not covered under warranty.**
- Note: Drivers are universal but thermal protector is voltage specific**

Drivers

- LE/TE - Leading Edge, TRIAC, forward phase/Trailing Edge, ELV, reverse phase
- 0-10V, Lutron and DALI systems also available
- See pages 11-13 for more dimming information

Finish

- Powder coat paint/wet paint
- Consult factory for custom finishes

Mounting

- 26" Hanger bars included (except for Remodeler versions)
- Optional **HB49** - hanger bars from min 29" to max 49" available

Trimmed Fixture:

For use in grid or sheetrock ceilings, 5/8" - 2" standard

Trimless Fixture (not available with Shower trim):

For use in sheetrock ceilings, max ceiling thickness 5/8"

Millwork Fixture:

Millwork extension collars are based on ceiling material specifications and thickness. Provides flush trim appearance level with ceiling material. Max thickness 2"

Not available for use with Remodeler model

Certifications

- CSA damp as tested to UL 1598 standards
- IC/AT rated (optional, 13W & 18W only)
- JA8/Title 24 Compliant (see ordering page for options that apply)
- Damp location
- Wet location (RPASHW trim only)

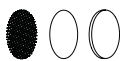
Warranty

- 5 year limited warranty

Emergency Battery Pack (EM)

- Powers fixture at 5.1 watts (approx. 400 Lm) for 90 minutes (not for use with REM, CP or IC/AT versions)

Accessories (diagrams show installation order)



Hexcell, optical film, solite lens

Hornet[®] HP

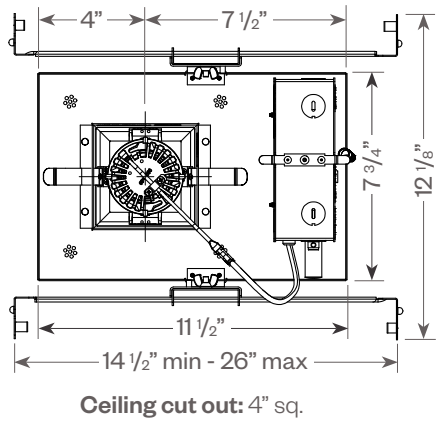
3.5" Square Downlights



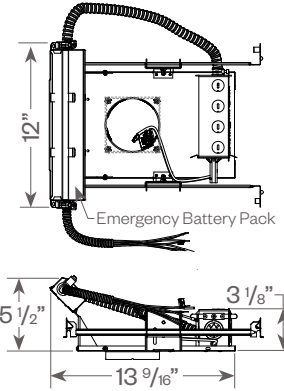
PROJECT:

TYPE:

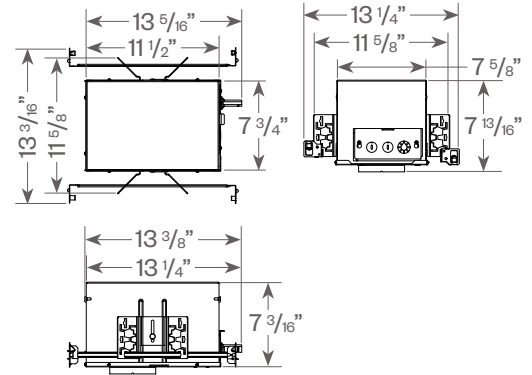
Hornet HP Square Downlights:



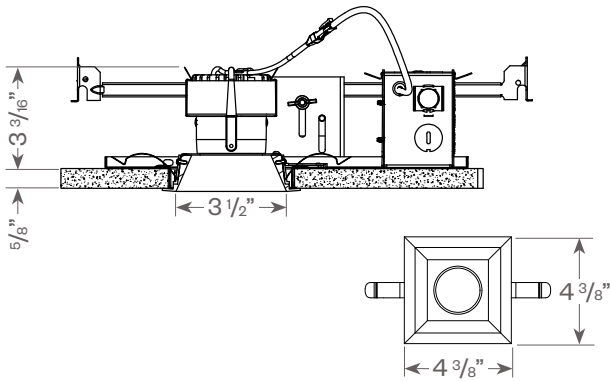
Frame with Emergency Battery Pack



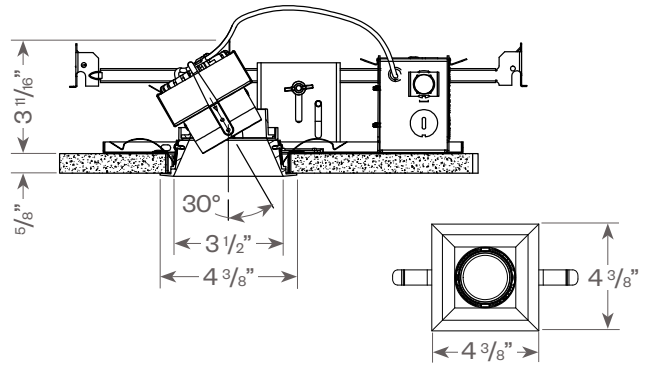
Optional CP or IC/AT housing



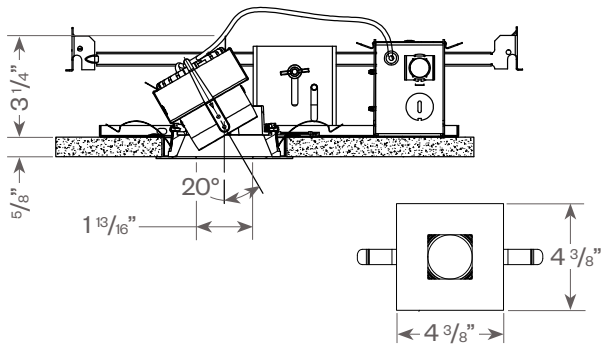
Downlight



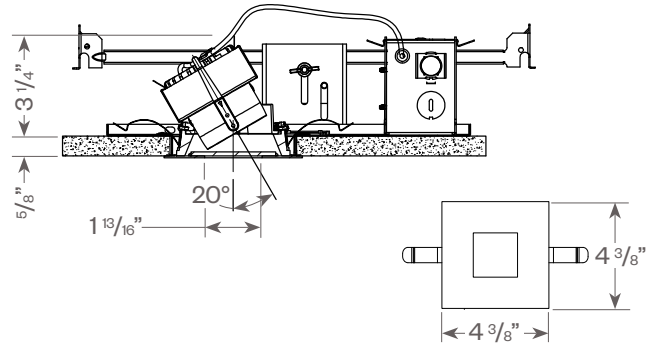
Adjustable



Pinhole Adjustable



Pinhole Adjustable Shower



Hornet[®] HP

3.5" Square Downlights

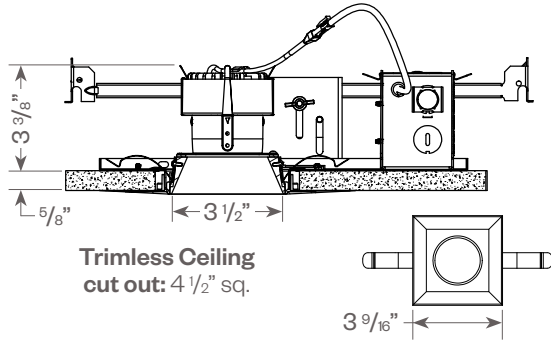


PROJECT:

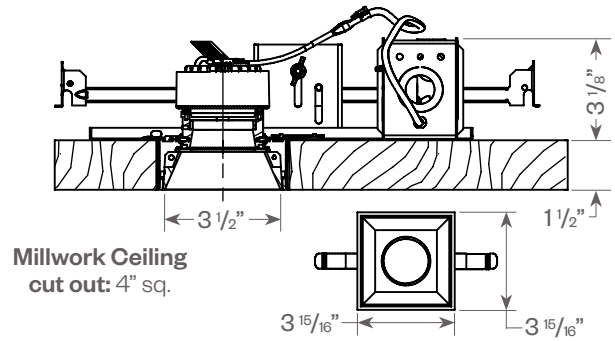
TYPE:

Hornet HP Square Downlight:

Trimless

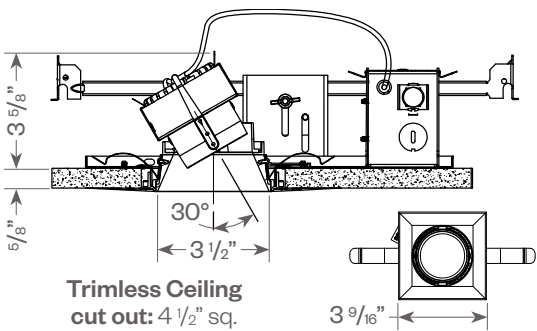


Millwork

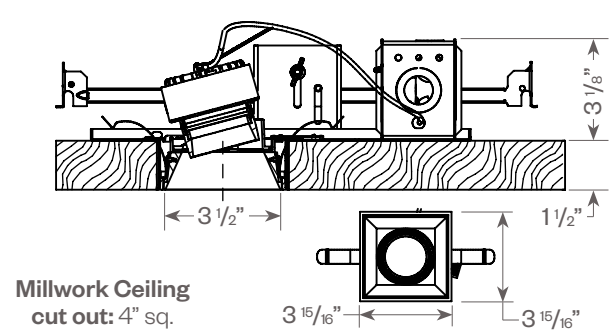


Hornet HP Square Adjustable:

Trimless

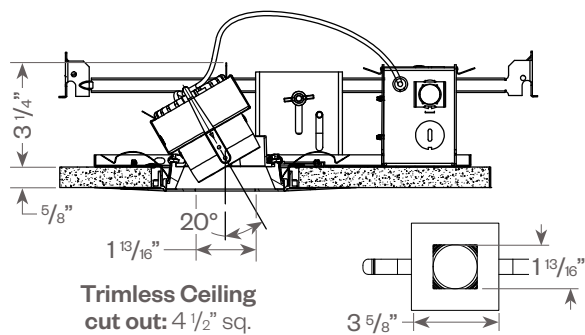


Millwork

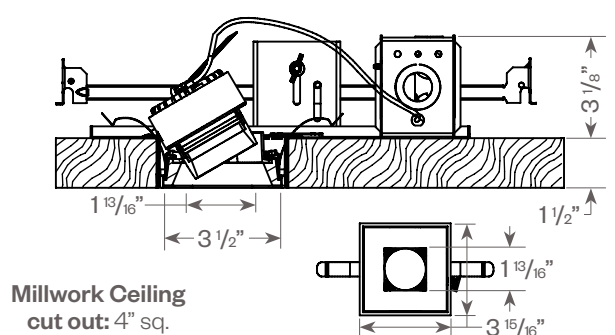


Hornet HP Square Pinhole Adjustable:

Trimless

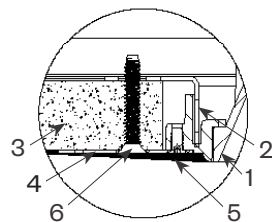


Millwork



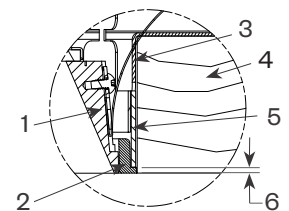
Plaster Frame Installation Detail (for trimless fixture only)

1. Reflector Trim
2. Aperture plate
3. Ceiling 5/8"
4. Cast Aluminum Plaster Frame
5. Plaster Skim Coat (by others)
6. 6-32 Type F Thread Cutting Screw



Millwork Detail

1. Reflector Trim
2. Millwork Ring
3. Aperture Plate
4. Wood Ceiling 2" Max
5. Extension collar (see ordering information for ceiling thicknesses)
6. 1/16" required for trim to be flush with ceiling



Hornet[®] HP

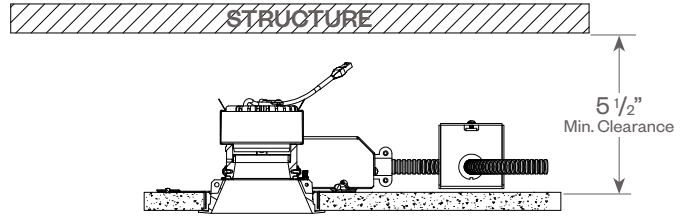
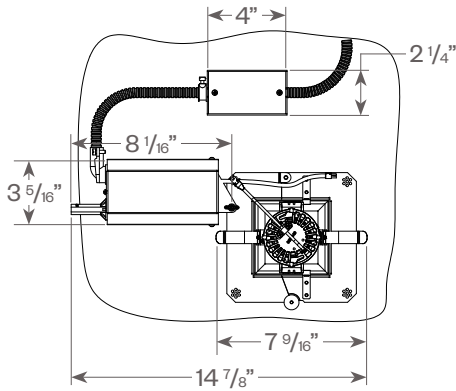
3.5" Square Downlights



PROJECT:

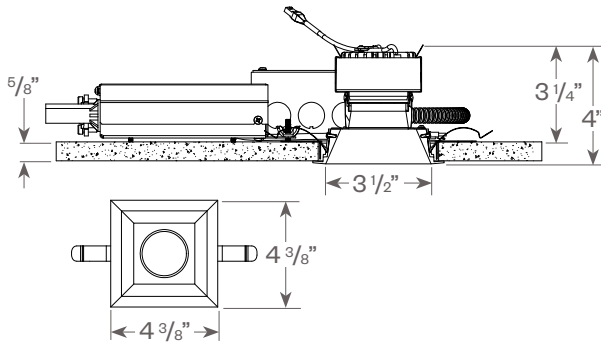
TYPE:

Hornet HP Square Downlights - Remodeler:

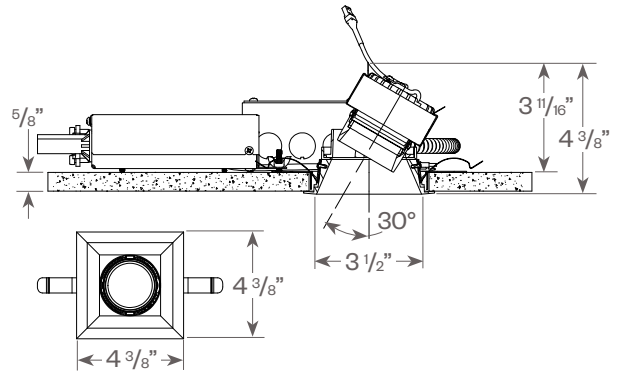


Ceiling cut out: 4" sq.

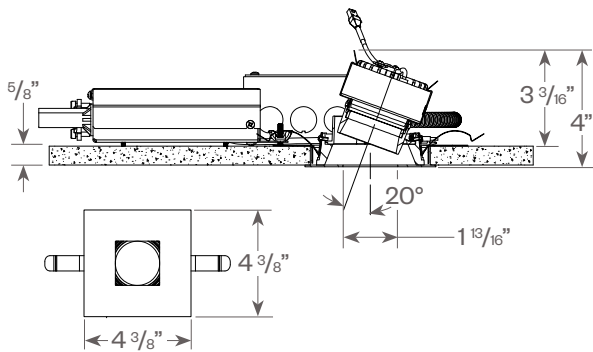
Downlight



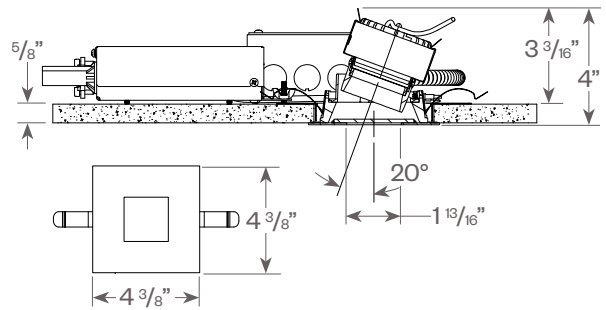
Adjustable



Pinhole Adjustable



Pinhole Adjustable Shower



Hornet[®] HP

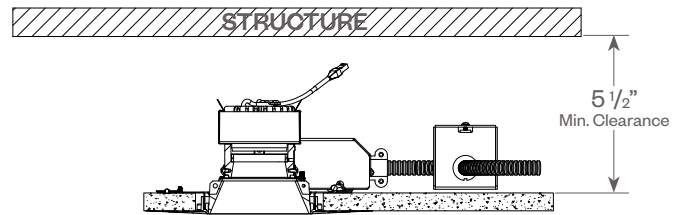
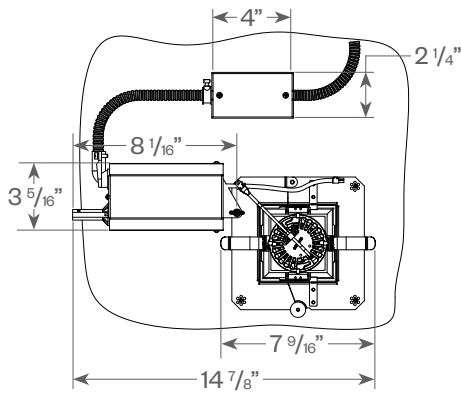
3.5" Square Downlights



PROJECT:

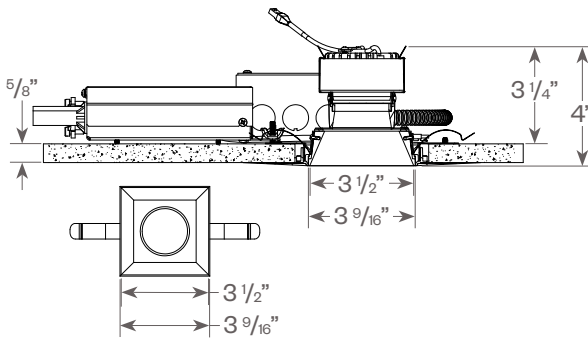
TYPE:

Hornet HP Downlight: Remodeler Trimless

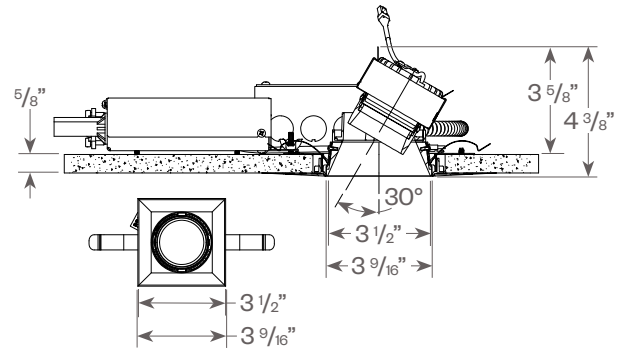


Ceiling cut out: 4 1/2" sq.

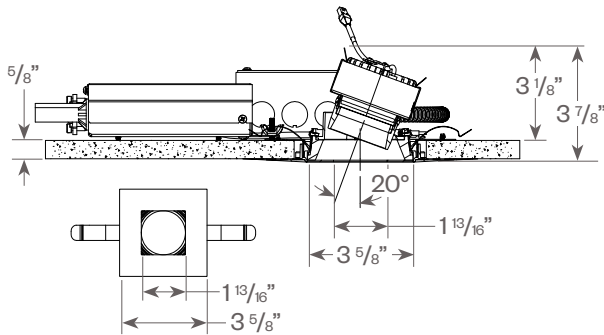
Downlight



Adjustable

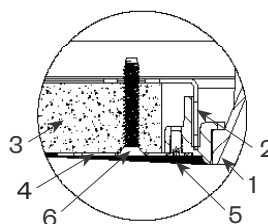


Pinhole Adjustable



Plaster Frame Installation Detail (for trimless fixture only)

1. Reflector Trim
2. Aperture plate
3. Ceiling 5/8"
4. Cast Aluminum Plaster Frame
5. Plaster Skim Coat (by others)
6. 6-32 Type F Thread Cutting Screw



Hornet® HP

3.5" Square Downlights



PROJECT:

TYPE:

Hornet HP Square Downlight:

FIXTURE DATA: (Complete photometric data (.ies format) available upon request)

MULTIPLYING FACTORS: (Multiplying Factor is based on 3000K-83 120V IES file on website)

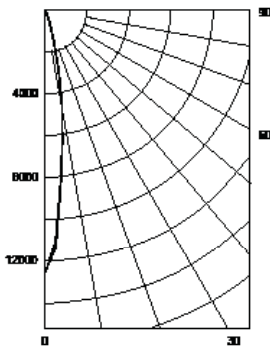
| Wattage: | 13W | 18W | 20W |
|----------|------|------|-----|
| Factor: | 0.65 | 0.90 | 1.0 |

| CCT: | 2700K-83 | 3000K-83 | 3500K-83 | 4000K-83 |
|---------|----------|----------|----------|----------|
| Factor: | 0.96 | 1.0 | 1.02 | 1.04 |

| CCT: | 2200K-90+ | 2700K-90+ | 3000K-90+ | 3500K-90+ | 4000K-90+ | CRISP | 3CLA |
|---------|-----------|-----------|-----------|-----------|-----------|-------|------|
| Factor: | 0.71 | 0.80 | 0.83 | 0.87 | 0.90 | 0.65 | 0.75 |

20W LED, 3000K-83

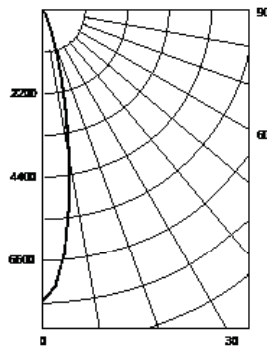
Spot (SP) Distribution, 15°
LTL #818202
Lumens: 1,305



Candelas at Nadir

| Deg | Candela |
|-----|---------|
| 0 | 12503 |
| 5 | 8267 |
| 15 | 1659 |
| 25 | 185 |
| 35 | 34 |
| 45 | 2 |

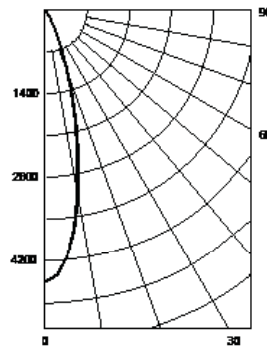
Narrow Flood (NF) Distribution, 22°
LTL #818203
Lumens: 1,216



Candelas at Nadir

| Deg | Candela |
|-----|---------|
| 0 | 7621 |
| 5 | 6414 |
| 15 | 1904 |
| 25 | 282 |
| 35 | 49 |
| 45 | 4 |

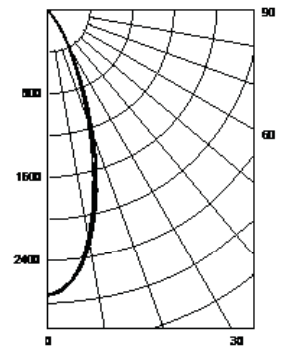
Flood (FL) Distribution, 28°
LTL # 818205
Lumens: 1,170



Candelas at Nadir

| Deg | Candela |
|-----|---------|
| 0 | 4540 |
| 5 | 4130 |
| 15 | 2019 |
| 25 | 490 |
| 35 | 81 |
| 45 | 5 |

Wide Flood (WF) Distribution, 45°
LTL # 818206
Lumens: 1,166

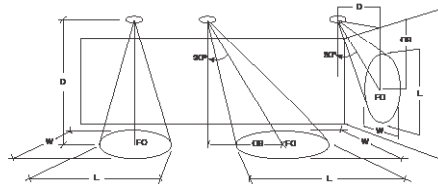


Candelas at Nadir

| Deg | Candela |
|-----|---------|
| 0 | 2721 |
| 5 | 2581 |
| 15 | 1751 |
| 25 | 712 |
| 35 | 161 |
| 45 | 7 |

Application Data:

| | | 0° Aiming Angle Horizontal Footcandles | | | |
|--------------|-------|--|-----|-----|---|
| | | D | FC | L | W |
| Spot | 5.0' | 290 | 1.9 | 1.9 | |
| | 7.5' | 161 | 2.6 | 2.6 | |
| | 10.0' | 101 | 3.1 | 3.1 | |
| | 12.5' | 69 | 3.7 | 3.7 | |
| Narrow Flood | 5.0' | 219 | 2.2 | 2.2 | |
| | 7.5' | 114 | 3.0 | 3.0 | |
| | 10.0' | 69 | 3.8 | 3.8 | |
| | 12.5' | 45 | 4.7 | 4.7 | |
| Flood | 5.0' | 141 | 2.7 | 2.7 | |
| | 7.5' | 70 | 3.7 | 3.7 | |
| | 10.0' | 42 | 4.9 | 4.9 | |
| | 12.5' | 27 | 6.0 | 6.0 | |
| Wide Flood | 5.0' | 97 | 3.3 | 3.3 | |
| | 7.5' | 46 | 4.8 | 4.8 | |
| | 10.0' | 26 | 6.3 | 6.3 | |
| | 12.5' | 17 | 7.7 | 7.7 | |



Notes and Definitions:

Beam spread is to 50% center beam candlepower (CBCP).

D=Distance to floor or wall.

FC=Footcandles on floor or wall at center beam aiming location.

L=Effective Visual Beam length in feet (50% of maximum footcandle level).

W=Effective Visual Beam width in feet (50% of maximum footcandle level).

CB=Distance across or down to center beam location.

Hornet[®] HP

3.5" Square Downlights



PROJECT:

TYPE:

Hornet HP Square Adjustable:

FIXTURE DATA: (Complete photometric data (.ies format) available upon request)

MULTIPLYING FACTORS: (Multiplying Factor is based on 3000K-83 120V IES file on website)

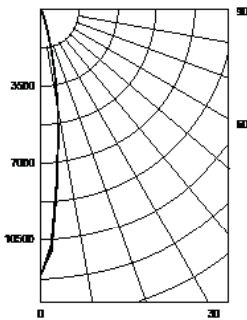
| Wattage: | 13W | 18W | 20W |
|----------|------|------|-----|
| Factor: | 0.65 | 0.90 | 1.0 |

| CCT: | 2700K-83 | 3000K-83 | 3500K-83 | 4000K-83 |
|---------|----------|----------|----------|----------|
| Factor: | 0.96 | 1.0 | 1.02 | 1.04 |

| CCT: | 2200K-90+ | 2700K-90+ | 3000K-90+ | 3500K-90+ | 4000K-90+ | CRISP | 3CLA |
|---------|-----------|-----------|-----------|-----------|-----------|-------|------|
| Factor: | 0.71 | 0.80 | 0.83 | 0.87 | 0.90 | 0.65 | 0.75 |

20W LED, 3000K-83

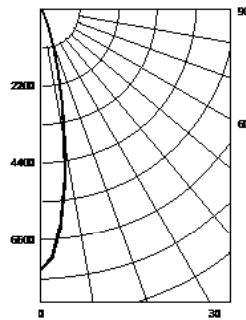
Spot (SP) Distribution, 15°
LTL #818193
Lumens: 1,300



Candelas at Nadir

| Deg | Candela |
|-----|---------|
| 0 | 12031 |
| 5 | 7996 |
| 15 | 1673 |
| 25 | 203 |
| 35 | 40 |
| 45 | 3 |

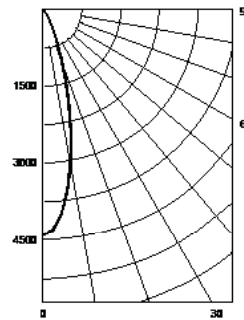
Narrow Flood (NF) Distribution, 22°
LTL #818194
Lumens: 1,239



Candelas at Nadir

| Deg | Candela |
|-----|---------|
| 0 | 7431 |
| 5 | 6154 |
| 15 | 1767 |
| 25 | 279 |
| 35 | 53 |
| 45 | 5 |

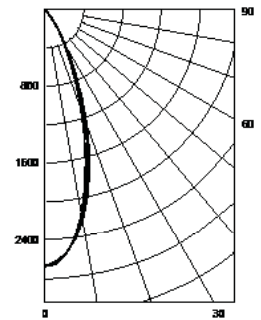
Flood (FL) Distribution, 28°
LTL # 818196
Lumens: 1,160



Candelas at Nadir

| Deg | Candela |
|-----|---------|
| 0 | 4396 |
| 5 | 3992 |
| 15 | 1958 |
| 25 | 503 |
| 35 | 86 |
| 45 | 6 |

Wide Flood (WF) Distribution, 45°
LTL # 818238
Lumens: 1,156

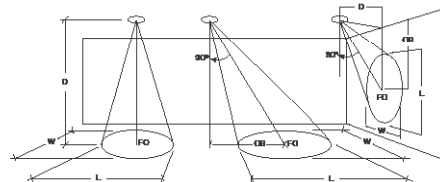


Candelas at Nadir

| Deg | Candela |
|-----|---------|
| 0 | 2669 |
| 5 | 2537 |
| 15 | 1759 |
| 25 | 763 |
| 35 | 177 |
| 45 | 9 |

Application Data:

| | | 0° Aiming Angle Horizontal Footcandles | | | |
|--------------|-------|--|-----|-----|---|
| | | D | FC | L | W |
| Spot | 5.0' | 281 | 1.9 | 1.9 | |
| | 7.5' | 156 | 2.6 | 2.6 | |
| | 10.0' | 98 | 3.2 | 3.2 | |
| | 12.5' | 66 | 3.7 | 3.7 | |
| Narrow Flood | 5.0' | 215 | 2.2 | 2.2 | |
| | 7.5' | 112 | 3.0 | 3.0 | |
| | 10.0' | 67 | 3.7 | 3.8 | |
| | 12.5' | 44 | 4.6 | 4.7 | |
| Flood | 5.0' | 151 | 2.6 | 2.6 | |
| | 7.5' | 73 | 3.6 | 3.5 | |
| | 10.0' | 43 | 4.8 | 4.7 | |
| | 12.5' | 28 | 5.9 | 5.8 | |
| Wide Flood | 5.0' | 95 | 3.3 | 3.3 | |
| | 7.5' | 45 | 4.9 | 4.6 | |
| | 10.0' | 26 | 6.4 | 6.0 | |
| | 12.5' | 17 | 7.9 | 7.4 | |



Notes and Definitions:

Beam spread is to 50% center beam candlepower (CBCP).

D=Distance to floor or wall.

FC=Footcandles on floor or wall at center beam aiming location.

L=Effective Visual Beam length in feet (50% of maximum footcandle level).

W=Effective Visual Beam width in feet (50% of maximum footcandle level).

CB=Distance across or down to center beam location.

Hornet[®] HP

3.5" Square Downlights



PROJECT:

TYPE:

Hornet HP Square Pinhole Adjustable:

FIXTURE DATA: (Complete photometric data (.ies format) available upon request)

MULTIPLYING FACTORS: (Multiplying Factor is based on 3000K-83 120V IES file on website)

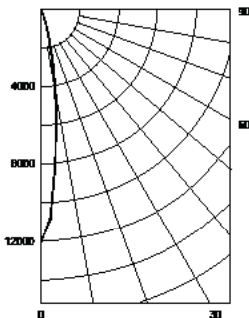
| Wattage: | 13W | 18W | 20W |
|----------|------|------|-----|
| Factor: | 0.65 | 0.90 | 1.0 |

| CCT: | 2700K-83 | 3000K-83 | 3500K-83 | 4000K-83 |
|---------|----------|----------|----------|----------|
| Factor: | 0.96 | 1.0 | 1.02 | 1.04 |

| CCT: | 2200K-90+ | 2700K-90+ | 3000K-90+ | 3500K-90+ | 4000K-90+ | CRISP | 3CLA |
|---------|-----------|-----------|-----------|-----------|-----------|-------|------|
| Factor: | 0.71 | 0.80 | 0.83 | 0.87 | 0.90 | 0.65 | 0.75 |

20W LED, 3000K-83

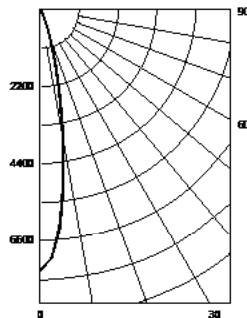
Spot (SP) Distribution, 15°
LTL #818198
Lumens: 1,181



Candelas at Nadir

| Deg | Candela |
|-----|---------|
| 0 | 11999 |
| 5 | 8118 |
| 15 | 1462 |
| 25 | 65 |
| 35 | 6 |
| 45 | 0 |

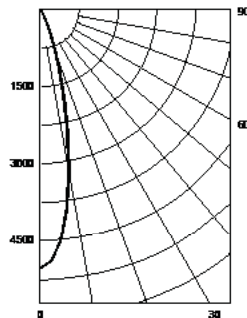
Narrow Flood (NF) Distribution, 22°
LTL #818199
Lumens: 1,070



Candelas at Nadir

| Deg | Candela |
|-----|---------|
| 0 | 7421 |
| 5 | 6260 |
| 15 | 1564 |
| 25 | 126 |
| 35 | 11 |
| 45 | 1 |

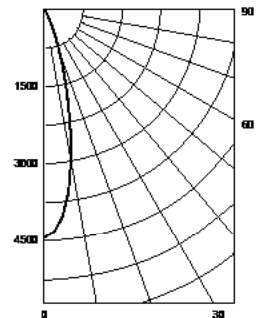
Medium Flood (MFL) Distribution, 25°
LTL # 818200
Lumens: 1,010



Candelas at Nadir

| Deg | Candela |
|-----|---------|
| 0 | 5022 |
| 5 | 4486 |
| 15 | 1651 |
| 25 | 210 |
| 35 | 12 |
| 45 | 0 |

Flood (FL) Distribution, 28°
LTL # 818201
Lumens: 958



Candelas at Nadir

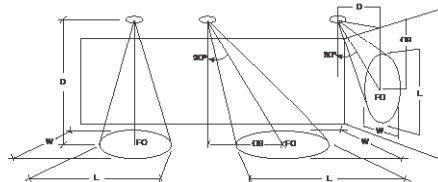
| Deg | Candela |
|-----|---------|
| 0 | 4416 |
| 5 | 3999 |
| 15 | 1623 |
| 25 | 218 |
| 35 | 12 |
| 45 | 0 |

Application Data:



0° Aiming Angle
Horizontal
Footcandles

| | D | FC | L | W |
|-------|-----|-----|-----|---|
| | | | | |
| 5.0' | 278 | 1.8 | 1.8 | |
| 7.5' | 156 | 2.5 | 2.5 | |
| 10.0' | 97 | 3.1 | 3.1 | |
| 12.5' | 66 | 3.6 | 3.6 | |
| | D | FC | L | W |
| | | | | |
| 5.0' | 212 | 2.1 | 2.1 | |
| 7.5' | 111 | 2.9 | 2.9 | |
| 10.0' | 67 | 3.6 | 3.6 | |
| 12.5' | 44 | 4.5 | 4.4 | |
| | D | FC | L | W |
| | | | | |
| 5.0' | 167 | 2.4 | 2.3 | |
| 7.5' | 82 | 3.3 | 3.2 | |
| 10.0' | 48 | 4.3 | 4.2 | |
| 12.5' | 31 | 5.3 | 5.2 | |
| | D | FC | L | W |
| | | | | |
| 5.0' | 143 | 2.5 | 2.5 | |
| 7.5' | 71 | 3.4 | 3.5 | |
| 10.0' | 41 | 4.5 | 4.6 | |
| 12.5' | 27 | 5.5 | 5.6 | |



Notes and Definitions:

Beam spread is to 50% center beam candlepower (CBCP).

D=Distance to floor or wall.

FC=Footcandles on floor or wall at center beam aiming location.

L=Effective Visual Beam length in feet (50% of maximum footcandle level).

W=Effective Visual Beam width in feet (50% of maximum footcandle level).

CB=Distance across or down to center beam location.

PROJECT:

TYPE:

DIMMING COMPATIBILITY:

Amerlux[®] Hornet fixtures are compatible with all major dimming protocols prevalent in the United States. Please see below for general compatibilities and wiring diagrams. Amerlux recommends testing your unique dimming configuration as the exact full configuration (Dimmer, Fixture Quantity, Voltage, etc) may affect dimming performance.

--- NOTE: INFORMATION BELOW IS FOR WIRED DIMMERS ONLY. FOR WIRELESS DIMMERS, CONSULT FACTORY ---

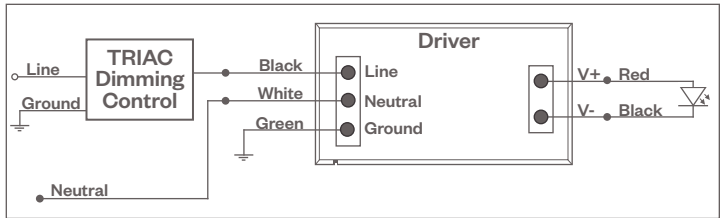
TRIAC (Forward Phase) DIMMING (Standard)

Utilizes standard TRIAC dimmers that are in wide use in installations across the US. Best for retrofit applications where TRIAC dimmers are installed.

Notes:

- 120VAC or 277VAC*
- Dims down to 5% light output (most cases)
- Consult Dimming manufacturer for installation instructions - DO NOT SHARE NEUTRALS!
- Must meet dimmer Minimum Load Requirements per dimming manufacturer

TRIAC Wiring Diagram



Compatible Dimmers†:

| Wall Box (TRIAC 120VAC) | Central System |
|-------------------------|----------------------|
| Lutron "Diva" | Lutron "GP" Panel |
| Lutron "Nova-T" | Lutron Grafik Eye QS |
| Lutron "Maestro" | |
| Lutron "Skylark" | |

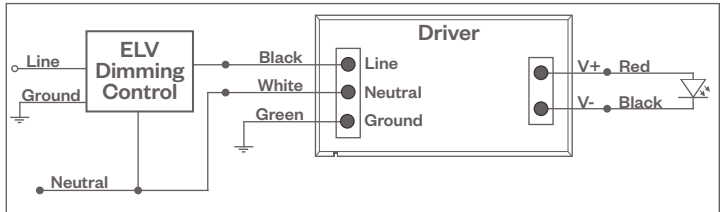
ELV - Electronic Low Voltage (Reverse Phase) DIMMING (Standard)

Utilizes specialized "ELV" dimmers.

Notes:

- 120VAC or 277VAC*
- Dims down to 5% light output (most cases)
- Consult Dimming manufacturer for installation instructions - DO NOT SHARE NEUTRALS!
- Must meet dimmer Minimum Load Requirements

ELV Wiring Diagram



Compatible Dimmers†:

| Wall Box (ELV 120VAC) | Wall Box (ELV 277VAC) | Central System |
|-----------------------|---------------------------|--|
| Lutron "Diva" | Leviton Revoir II AWSMT-E | Lutron "GP" Panel with PHPM-PA 120/277VAC |
| Lutron "Nova-T" | | Lutron Grafik Eye QS with PHPM-PA 120/277VAC |
| Lutron "Maestro" | | |
| Lutron "Skylark" | | |
| Leviton "Surslide" | | |
| Leviton "Vizio" | | |

Notes:

- * Driver is 277VAC dimmable with appropriate dimmer (by others). All provided wiring diagrams show 120VAC wiring colors and method. Please refer to 277VAC dimmer manufacturer installation instructions for 277VAC wiring diagrams.
- † The absence of a dimmer from the lists above does not imply incompatibility. Please consult factory for compatibility inquiries.

Hornet[®] HP

3.5" Square Downlights



PROJECT:

TYPE:

DIMMING COMPATIBILITY:

Amerlux[®] Hornet fixtures are compatible with all major dimming protocols prevalent in the United States. Please see below for general compatibilities and wiring diagrams. Amerlux recommends testing your unique dimming configuration as the exact full configuration (Dimmer, Fixture Quantity, Voltage, etc) may affect dimming performance.

--- NOTE: INFORMATION BELOW IS FOR WIRED DIMMERS ONLY. FOR WIRELESS DIMMERS, CONSULT FACTORY ---

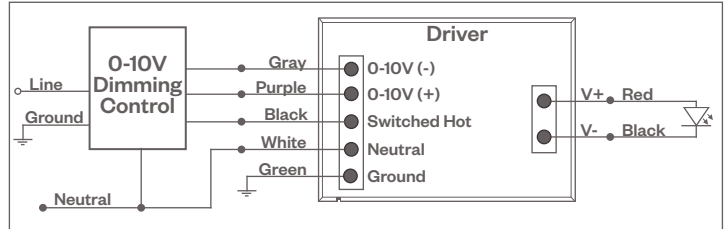
0-10V DIMMING

Integrates into a variety of building management and daylighting controls

Notes:

- 120VAC or 277VAC*
- Dims down to 1% light output
- Requires interface to turn off power to driver
- Consult Dimming manufacturer for installation instructions - DO NOT SHARE NEUTRALS!

0-10V Wiring Diagram



Compatible Dimmers*:

Wall Box

Lutron "Diva" - DVSTV | Leviton Renoir II 0-10V

Central System

Lutron Grafik Eye with GRX-TV1 Interface

LUTRON LDE1 DIMMING

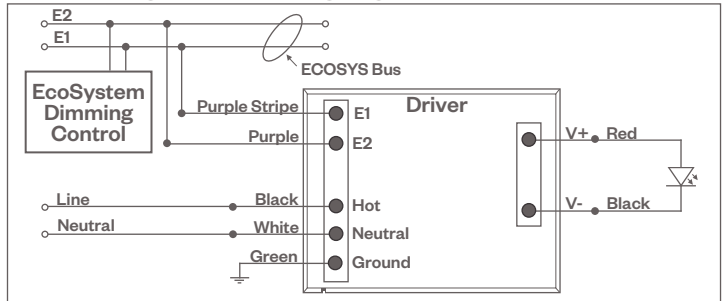
Integrates into Lutron EcoSystem building management

Notes:

- 120VAC or 277VAC*
- Dims down to 1% Soft-On/Fade-to-Black
- EcoSystem Control
- Consult Dimming manufacturer for installation instructions - DO NOT SHARE NEUTRALS!

Lutron LDE1 (HILUME-H-ECO)

EcoSystem Digital Control Wiring Diagram



Compatible Dimmers*:

Lutron ECO System

Pow Pak Dimming Modules
Energj Savr Node
Grafik Eye QS/Homeworks
QS Control Unit
Quantum Hub
Homeworks QS/My Room

Central System

Lutron EcoSystem compatible controls

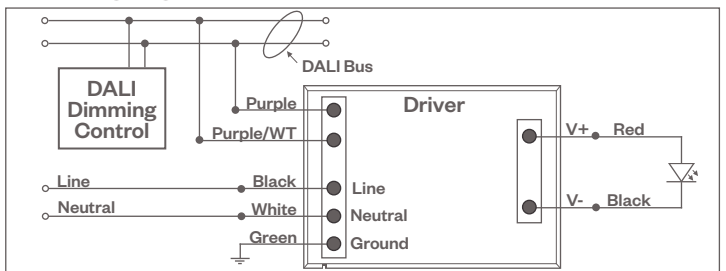
DALI DIMMING

Digital control protocol allows individual fixture control

Notes:

- 120VAC - 277VAC*
- Dims down to 1% light output in most cases

DALI Wiring Diagram



Compatible Dimmers*:

Wall Box (3-Wire Fluorescent)

Leviton CD250 Controller

Central System

Dynalite
Fifth Light

Notes:

- * Driver is 277VAC dimmable with appropriate dimmer (by others). All provided wiring diagrams show 120VAC wiring colors and method. Please refer to 277VAC dimmer manufacturer installation instructions for 277VAC wiring diagrams.
- † The absence of a dimmer from the lists above does not imply incompatibility. Please consult factory for compatibility inquiries.

Hornet[®] HP

3.5" Square Downlights



PROJECT:

TYPE:

EMERGENCY DIMMING (-EM OPTION)

Wiring Diagram

