

Hornet® HP

3.5" Round Downlights



Features

Small in size but big on performance. The Hornet® downlights deliver the output of the 20W ceramic metal halide, but with the control and crisp color of the MR16 halogen. 3.5" round trim available as a fixed downlight, adjustable, pinhole adjustable or pinhole adjustable slot aperture. Remodeler, Trimless and Millwork options available.

Product Overview

Type: Recessed Round Downlight
 Wattage: 13, 18, 20
 Lumen Output: 1,323 max; 66 Lm/W (spot optic)
 CBCP: 12,508 max (spot optic)
 Color Temp: 2200K, 2700K, 3000K, 3500K, 4000K
 83 typ. (2700K, 3000K, 3500K, 4000K)
 90+ typ. (2200K, 2700K, 3000K, 3500K, 4000K)
 CrispWhite (18W max) & 3K Class A available
 Dimming: TRIAC & ELV (120/277VAC) - 5% Dim
 Lutron LDE1 Hi-lume® 1% Soft-On/Fade-to-Black (120/277VAC)
 0-10V (120/277VAC) - 1% Dim
 DALI (120/277VAC) - 1% Dim



Downlight



Downlight (Millwork version shown)



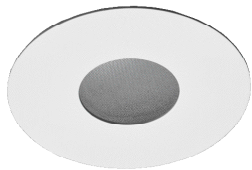
Adjustable (Trimless)

PROJECT:

TYPE:



Pinhole Adjustable



Pinhole Adjustable Shower



Pinhole Adjustable Slot

Fixture Type

Round/Square	New Construction	Remodeler	Trim	Trimless	Millwork
Yes	Yes	Yes	Yes	Yes	Yes

See separate spec sheet for Square trims

Performance Chart

Watts	Delivered Lumens	LPW	CBCP	Color Temp
13	860	66	8,130	3000K-83
18	1,191	66	11,257	3000K-83
20	1,323	66	12,508	3000K-83

Data is based on 3000K-83 IES files available on website

Data is based on Spot optic. See pages 6-9 for other beam spreads

All wattage and LPW includes 2W thermal protector

Electrical Data

	13W		18W		20W	
	System Watts	Amps	System Watts	Amps	System Watts	Amps
120V	13	0.11	18	0.15	20	0.17
277V	13	0.05	18	0.06	20	0.07

Electronic constant current LED driver



Hornet® HP

3.5" Round Downlights



PROJECT:

TYPE:

Housing/Frame Ordering Information

1	2	3	4	5	6
1 Model For New Construction HDL-HP-R-NC-A17[†] (New Construction) HDL-HP-R-CP-A17[†] (Chicago Plenum (OCEA) housing) HDL-HP-R-IC-A17^{†T24} (Insulated Ceiling/air tight, 13W & 18W only) For Existing Ceilings HDL-HP-R-REM-A17[†] (Remodeler)	2 Style T - trimmed TL - trimless MWK ^R - millwork (for 1/2" - 11/16" ceiling thickness) MWK1 ^R - millwork (for 3/4" - 1-1/2" ceiling thickness) MWK2 ^R - millwork (for 1-1/2" - 2" ceiling thickness) ^R Not available for use with Remodeler model	3 Wattage 13 ^{T24} 18 ^{T24} 20 (not available for use with IC housing)	4 Voltage 120 277 120/277 (for use with IC housing only)	5 Driver (for non-dimming, select LE/TE option) LE/TE ^{T24} - TRIAC/ELV dimming HILUME-H-ECO - Lutron LDE1 Hi-lume® 1% Soft-On/ Fade-to-Black 0-10V ^{T24} - 0-10V dimming, 1% dim DALI - DALI dimming, 1% dim	6 Options/Accessories EM - emergency battery pack with remote test switch (not available for use with REM, OP or IC options) HB49 - hanger bars from min 29" to max 49" (not available for use with REM options)

Trim Ordering Information

1	2	3	4	5	6																																														
1 Model HDL-HP-RD-A17[†] (downlight) HDL-HP-RA-A17[†] (adjustable) HDL-HP-RPA-A17[†] (pinhole adjustable) HDL-HP-RPAS-A17[†] (pinhole adjustable slot) HDL-HP-RPASHW-A17[†] (shower, not available in trimless)	2 Style T - trimmed TL - trimless (not for use with RPASHW trim) MWK - millwork (not available for use with RPASHW trim)	3 Finish - RD/RA Trims: <table border="0"> <tr> <td>Trimmed</td> <td>Trimless/Millwork</td> </tr> <tr> <td>MBW - matte black, white flange</td> <td>MB - matte black</td> </tr> <tr> <td>MWW - matte white, white flange</td> <td>MW - matte white</td> </tr> <tr> <td>SLVW - matte silver, white flange</td> <td>SLV - matte silver</td> </tr> <tr> <td>MBB - matte black, black flange</td> <td></td> </tr> <tr> <td>SLVS - matte silver, silver flange</td> <td></td> </tr> </table> Finish - RPA/RPAS/RPASHW Trims (T/TL/MWK): MB - matte black MW - matte white SLV - matte silver PC - polished chrome (not available for use with MWK) BN - brushed nickel (not available for use with MWK)	Trimmed	Trimless/Millwork	MBW - matte black, white flange	MB - matte black	MWW - matte white, white flange	MW - matte white	SLVW - matte silver, white flange	SLV - matte silver	MBB - matte black, black flange		SLVS - matte silver, silver flange		4 Beam Spreads <table border="0"> <tr> <td>RD/RA</td> <td>RPA/RPAS/RPASHW</td> </tr> <tr> <td>SP^{T24}</td> <td>SP^{T24}</td> </tr> <tr> <td>NF^{T24}</td> <td>NF^{T24}</td> </tr> <tr> <td>MFL^{T24}</td> <td>MFL^{T24}</td> </tr> <tr> <td>FL^{T24}</td> <td>FL[*]</td> </tr> <tr> <td>WF^{T24}</td> <td></td> </tr> <tr> <td>VWF^{T24}</td> <td></td> </tr> <tr> <td>LS</td> <td></td> </tr> </table> SP - spot 15°, NF - narrow flood 22°, MFL - medium flood 25°, FL - flood 28°, WF - wide flood 45°, VWF - very wide flood 60°, LS - linear spread lens 60° x 10°	RD/RA	RPA/RPAS/RPASHW	SP ^{T24}	SP ^{T24}	NF ^{T24}	NF ^{T24}	MFL ^{T24}	MFL ^{T24}	FL ^{T24}	FL [*]	WF ^{T24}		VWF ^{T24}		LS		5 Color Temp <table border="0"> <tr> <td>83 CRI</td> <td>90+ CRI^{T24}</td> <td></td> </tr> <tr> <td>27 - 2700K-83</td> <td>229 - 2200K-90+</td> <td>CRISP - CrispWhite (18W max)</td> </tr> <tr> <td>30 - 3000K-83</td> <td>279 - 2700K-90+</td> <td>3CLA - 3K Class A</td> </tr> <tr> <td>35 - 3500K-83</td> <td>309 - 3000K-90+</td> <td></td> </tr> <tr> <td>40 - 4000K-83</td> <td>359 - 3500K-90+</td> <td></td> </tr> <tr> <td></td> <td>409 - 4000K-90+</td> <td></td> </tr> </table>	83 CRI	90+ CRI ^{T24}		27 - 2700K-83	229 - 2200K-90+	CRISP - CrispWhite (18W max)	30 - 3000K-83	279 - 2700K-90+	3CLA - 3K Class A	35 - 3500K-83	309 - 3000K-90+		40 - 4000K-83	359 - 3500K-90+			409 - 4000K-90+		6 Options/Accessories (not JA8/Title 24 compliant) HEX - hexcell louver (not available for use with RPASHW trim) SOL - solite beam softening lens (comes standard with RPASHW trim)
Trimmed	Trimless/Millwork																																																		
MBW - matte black, white flange	MB - matte black																																																		
MWW - matte white, white flange	MW - matte white																																																		
SLVW - matte silver, white flange	SLV - matte silver																																																		
MBB - matte black, black flange																																																			
SLVS - matte silver, silver flange																																																			
RD/RA	RPA/RPAS/RPASHW																																																		
SP ^{T24}	SP ^{T24}																																																		
NF ^{T24}	NF ^{T24}																																																		
MFL ^{T24}	MFL ^{T24}																																																		
FL ^{T24}	FL [*]																																																		
WF ^{T24}																																																			
VWF ^{T24}																																																			
LS																																																			
83 CRI	90+ CRI ^{T24}																																																		
27 - 2700K-83	229 - 2200K-90+	CRISP - CrispWhite (18W max)																																																	
30 - 3000K-83	279 - 2700K-90+	3CLA - 3K Class A																																																	
35 - 3500K-83	309 - 3000K-90+																																																		
40 - 4000K-83	359 - 3500K-90+																																																		
	409 - 4000K-90+																																																		

^{T24} JA8/Title 24 Compliant

[†] The "A" refers to the sequential revision in a year and "XX" refers to the year of update. Updates coincide with improved performance while not changing the overall fixture aesthetic and are reflected in the published performance data. Please contact your Amerlux representative for explanations of changes.

Hornet® HP

3.5" Round Downlights



PROJECT:

TYPE:

Specifications

Application

Retail and commercial ambient, accent & display lighting

Construction

- 20 ga. galvanized steel frame
- 18 ga. galvanized steel splice housing and hanger brackets (not for Remodeler version)
- Cast aluminum plaster frame with perforated face (for trimless version only)
- Die-cast optical housing and trim
- Die-cast heat sink

Optical

- Tilt: 0-30° (RA/RPAS trims), 0-20° (RPA/RPASHW trims)
- Beam spreads: Spot, 15°; Narrow Flood, 22°; Medium Flood, 25°; Flood, 28°; Wide Flood, 45°; Very Wide Flood, 60°; Linear Spread, 60° x 10°

LED

- Color Temp Options: 2200K, 2700K, 3000K, 3500K, 4000K
- CRI: 83 typ. (2700K, 3000K, 3500K, 4000K)
90+ typ. (2200K, 2700K, 3000K, 3500K, 4000K)
- CrispWhite* LED available, 18W max
- Class A** 3000K (high CRI, high gamut)
- R9 Values: 11 (83 CRI), 55 (92 CRI)
- Binning: 3 MacAdam (SDCM)
- Life: 50,000+ hrs, > 70% of initial lumens at 50,000 hrs
- *CrispWhite: CrispWhite Technology delivers the warmth of colors expected from a high 90 CRI solution but also creates the natural crisp white color that is pleasing to the eye. It creates the most impactful lighting ever available, by revealing the richest whites and vibrant colors that pop.*
- **Class A LED: Class A LED's have a CRI > 80 and a GAI > 80. CRI defines color "Naturalness" and GAI defines color "Saturation." Both being high delivers rich colors and pure whites.*

Electrical

- Wattage: 13, 18, 20
- Electronic constant current LED driver, 120/277VAC input
- This product complies with IEEE C62.41 for surge endurance up to 2.5KV. Amerlux® recommends using additional surge protection with this unit (supplied by others), surge and over voltage damage is not covered under warranty.**
- Note: Drivers are universal but thermal protector is voltage specific**

Drivers

- LE/TE - Leading Edge, TRIAC, forward phase/Trailing Edge, ELV, reverse phase
- 0-10V, Lutron and DALI systems also available
- See pages 12-14 for more dimming information

Finish

- Powder coat paint/wet paint
- Consult factory for custom finishes

Mounting

- 26" Hanger bars included (except for Remodeler versions)
- Optional **HB49** - hanger bars from min 29" to max 49" available

Trimmed Fixture:

For use in grid or sheetrock ceilings, 5/8" - 2" standard

Trimless Fixture (not available with Shower trim):

For use in sheetrock ceilings, max ceiling thickness 5/8"

Millwork Fixture:

Millwork extension collars are based on ceiling material specifications and thickness. Provides flush trim appearance level with ceiling material. Max thickness 2"

Not available for use with Remodeler model

Certifications

- CSA damp as tested to UL 1598 standards
- IC/AT rated (optional, 13W & 18W only)
- JA8/Title 24 Compliant (see ordering page for options that apply)
- Damp location
- Wet location (RPASHW trim only)

Warranty

5 year limited warranty

Emergency Battery Pack (EM)

Powers fixture at 5.1 watts (approx. 400 Lm) for 90 minutes (not for use with REM, CP or IC/AT versions)

Accessories (diagrams show installation order)



Hexcell, optical film, solite lens

Hornet® HP

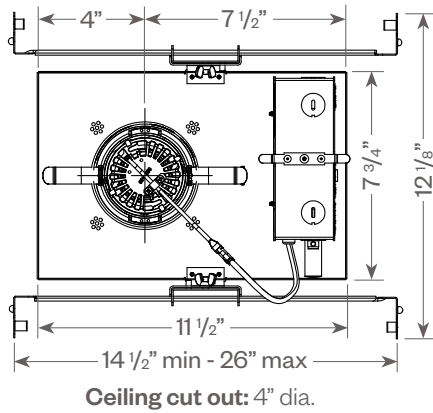
3.5" Round Downlights



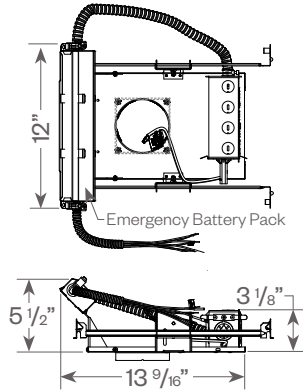
PROJECT:

TYPE:

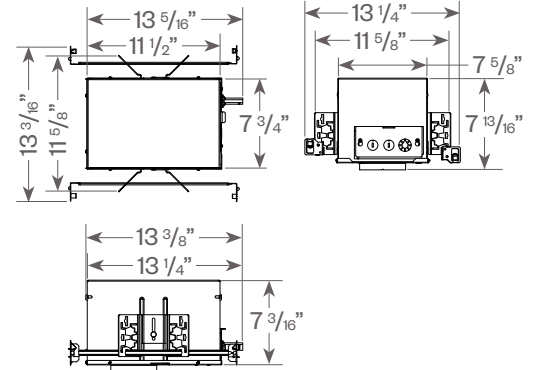
Hornet HP Downlight: Round



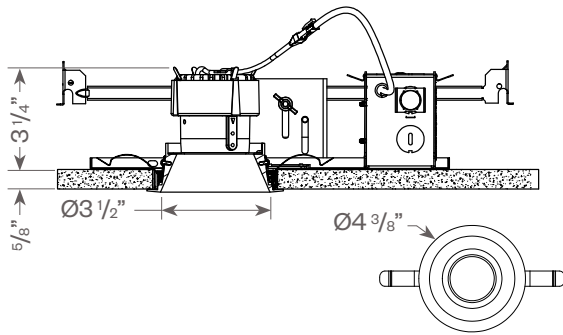
Frame with Emergency Battery Pack



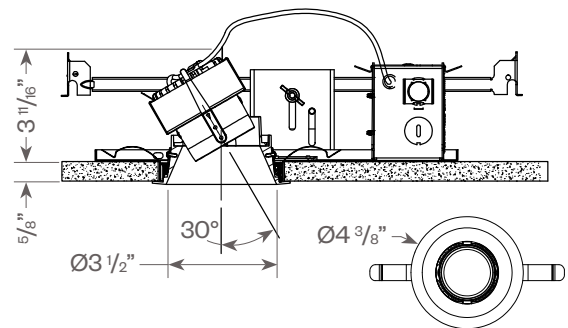
Optional CP or IC/AT housing



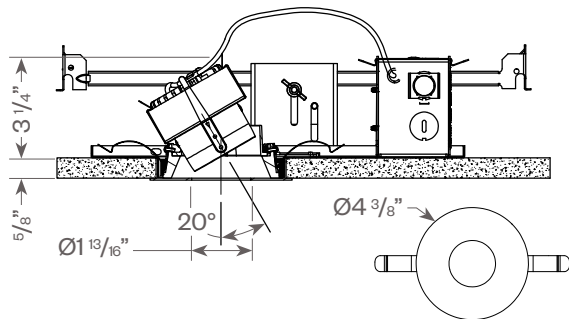
Downlight



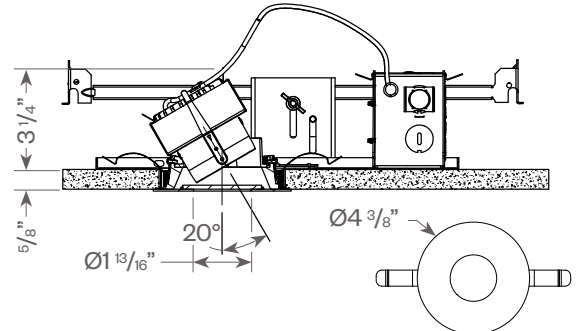
Adjustable



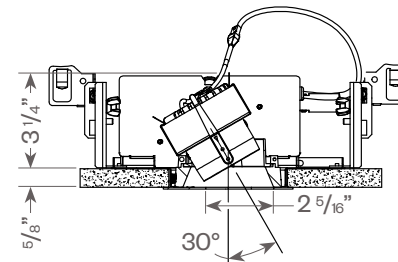
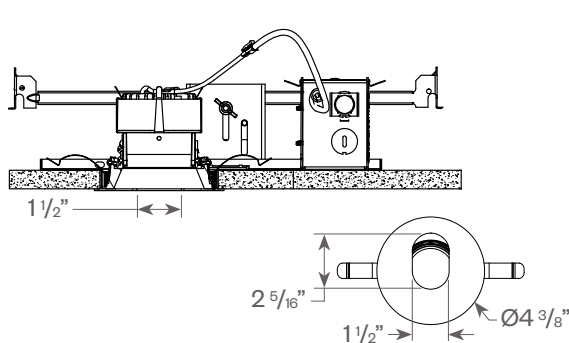
Pinhole Adjustable



Pinhole Adjustable Shower



Pinhole Adjustable Slot



Hornet® HP

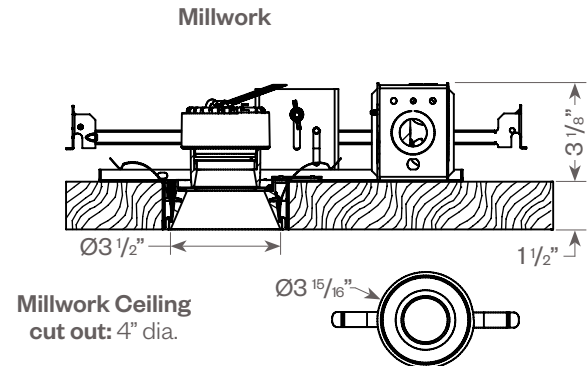
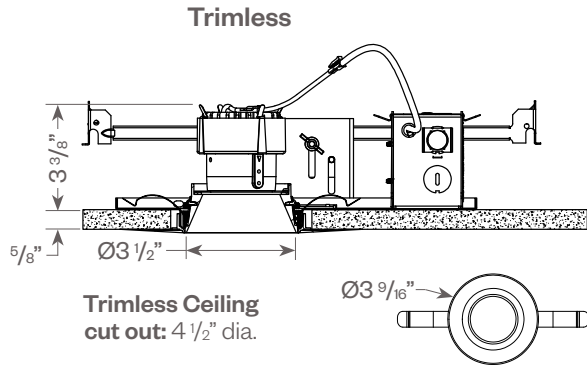
3.5" Round Downlights



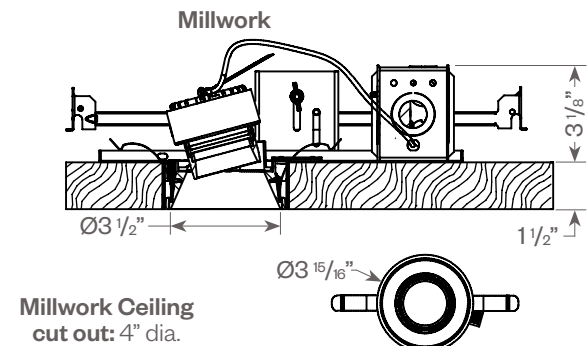
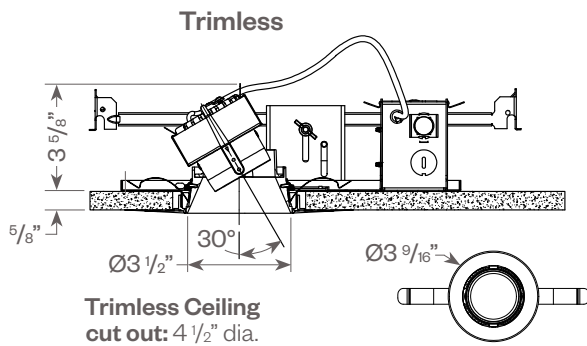
PROJECT:

TYPE:

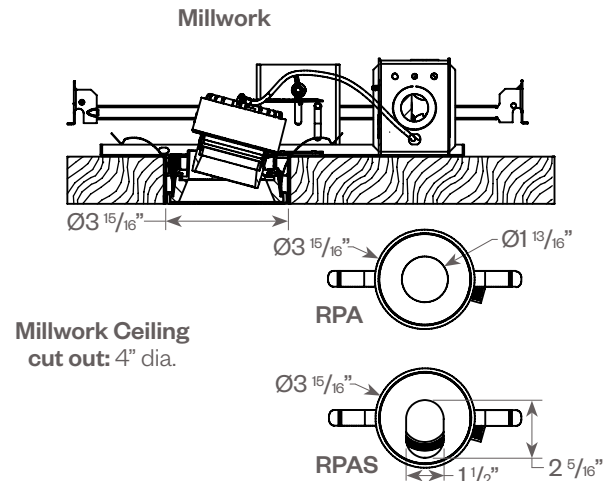
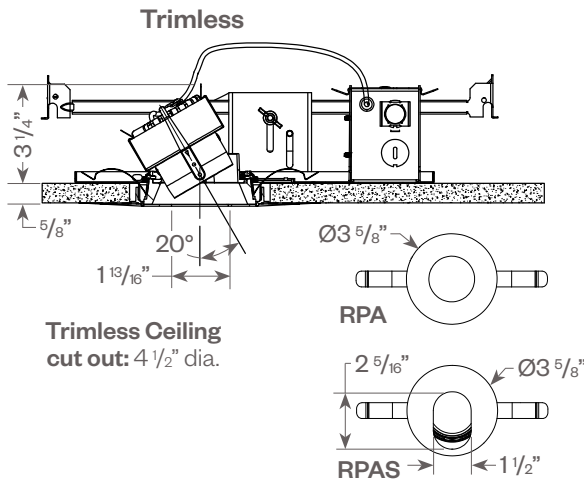
Hornet HP Round Downlight:



Hornet HP Round Adjustable:

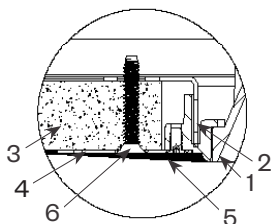


Hornet HP Round Pinhole Adjustable/Pinhole Adjustable Slot:



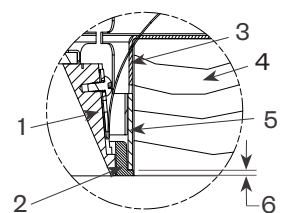
Plaster Frame Installation Detail (for trimless fixture only)

1. Reflector Trim
2. Aperture plate
3. Ceiling 5/8"
4. Cast Aluminum Plaster Frame
5. Plaster Skim Coat (by others)
6. 6-32 Type F Thread Cutting Screw



Millwork Detail

1. Reflector Trim
2. Millwork Ring
3. Aperture Plate
4. Wood Ceiling 2" Max
5. Extension collar (see ordering information for ceiling thicknesses)
6. 1/16" required for trim to be flush with ceiling



Hornet[®] HP

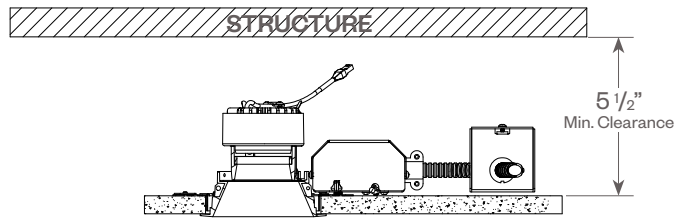
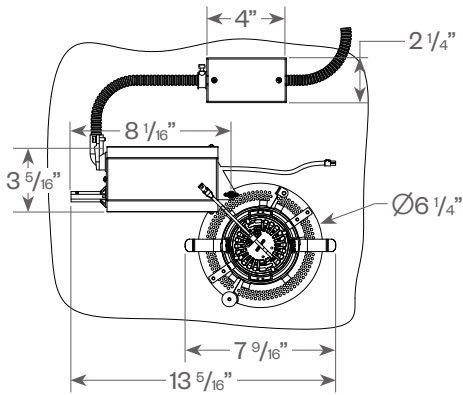
3.5" Round Downlights



PROJECT:

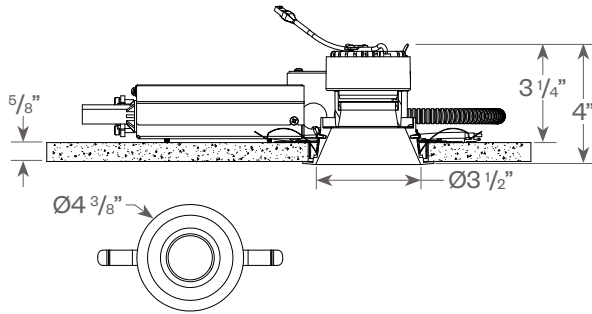
TYPE:

Hornet HP Downlight: Remodeler

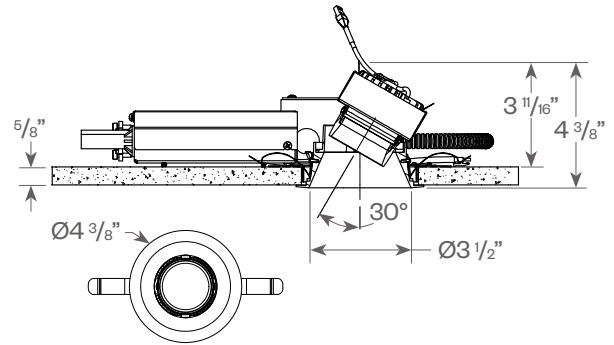


Ceiling cut out: 4" dia.

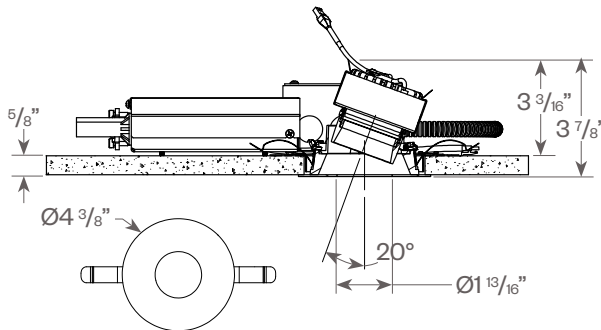
Downlight



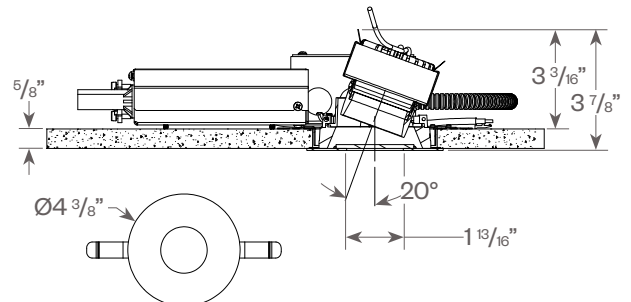
Adjustable



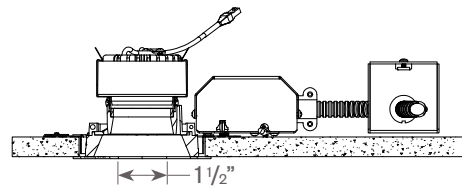
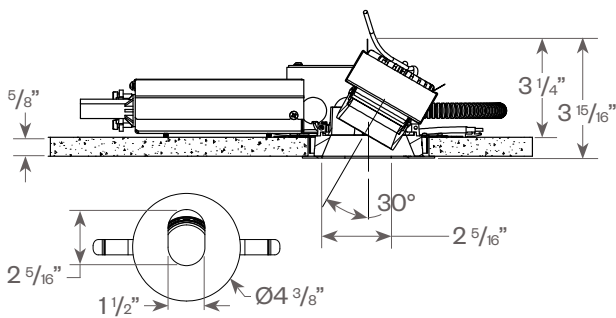
Pinhole Adjustable



Pinhole Adjustable Shower



Pinhole Adjustable Slot



Hornet[®] HP

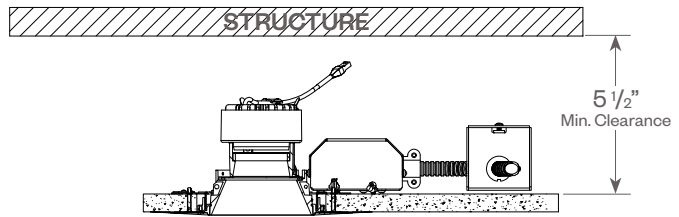
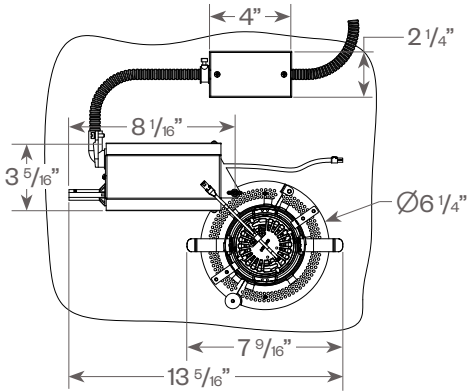
3.5" Round Downlights



PROJECT:

TYPE:

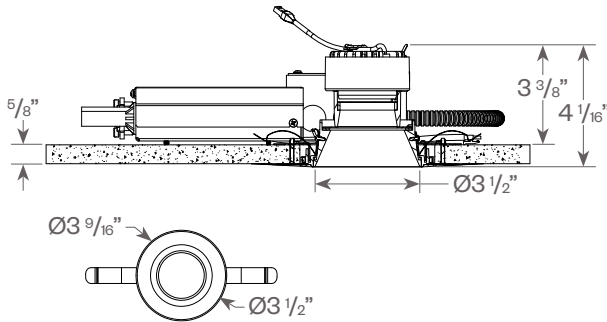
Hornet HP Downlight: Remodeler Trimless



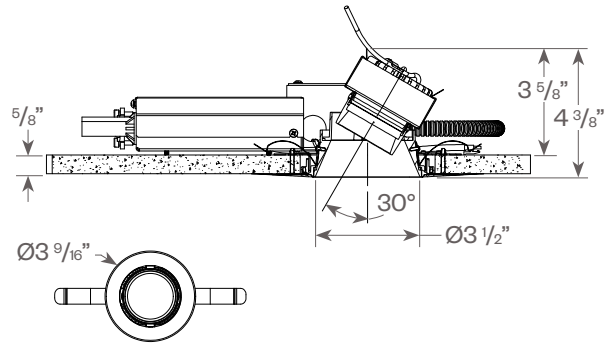
Trimless Ceiling cut out: 4 1/2" dia.

Millwork Ceiling cut out: 4" dia.

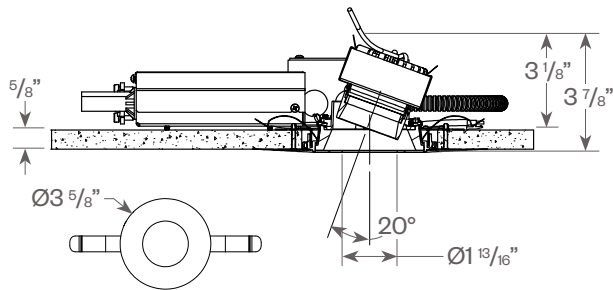
Downlight



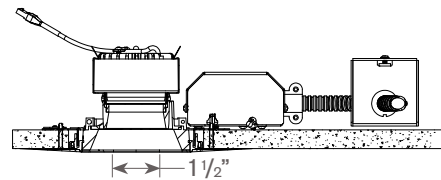
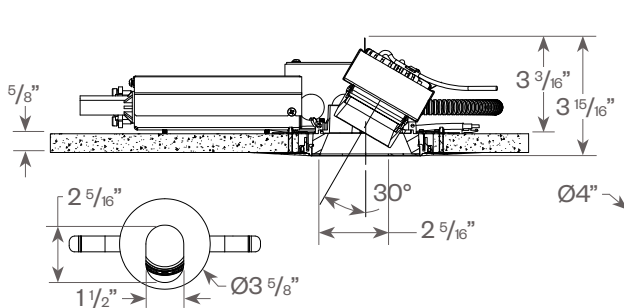
Adjustable



Pinhole Adjustable



Pinhole Adjustable Slot



Hornet[®] HP

3.5" Round Downlights



PROJECT:

TYPE:

Hornet HP Round Downlight:

FIXTURE DATA: (Complete photometric data (.ies format) available upon request)

MULTIPLYING FACTORS: (Multiplying Factor is based on 3000K-83 120V IES file on website)

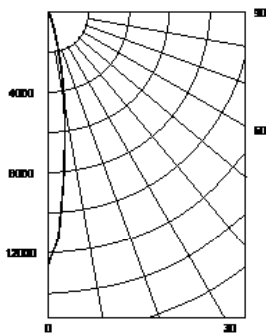
Wattage:	13W	18W	20W
Factor:	0.65	0.90	1.0

CCT:	2700K-83	3000K-83	3500K-83	4000K-83
Factor:	0.96	1.0	1.02	1.04

CCT:	2200K-90+	2700K-90+	3000K-90+	3500K-90+	4000K-90+	CRISP	3CLA
Factor:	0.71	0.80	0.83	0.87	0.90	0.65	0.75

20W LED, 3000K

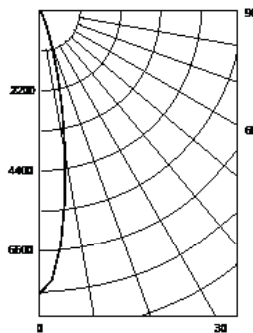
Spot (SP) Distribution, 15°
LTL #818231
Lumens: 1,323



Candelas at Nadir

Deg	Candela
0	12508
5	8495
15	1754
25	190
35	32
45	3

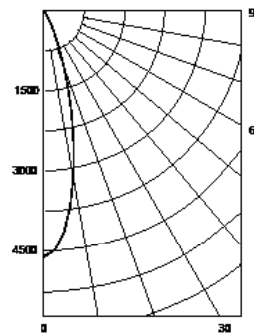
Narrow Flood (NF) Distribution, 22°
LTL#818232
Lumens: 1,236



Candelas at Nadir

Deg	Candela
0	7734
5	6428
15	1866
25	277
35	45
45	4

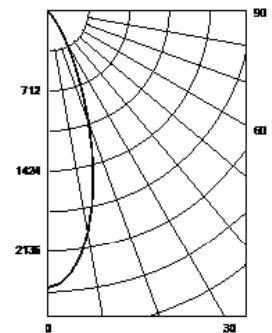
Flood (FL) Distribution, 28°
LTL # 818234
Lumens: 1,185



Candelas at Nadir

Deg	Candela
0	4591
5	4168
15	1966
25	470
35	72
45	4

Wide Flood (WF) Distribution, 45°
LTL # 818235
Lumens: 1,123

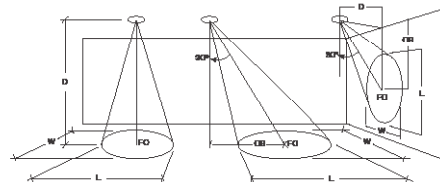


Candelas at Nadir

Deg	Candela
0	2751
5	2614
15	1719
25	676
35	141
45	7

Application Data:

	0° Aiming Angle Horizontal Footcandles			
	D	FC	L	W
Spot	5.0'	292	1.9	1.9
	7.5'	163	2.6	2.6
	10.0'	102	3.2	3.2
	12.5'	69	3.7	3.7
Narrow Flood	5.0'	231	2.1	2.1
	7.5'	120	2.9	2.9
	10.0'	71	3.7	3.7
	12.5'	47	4.6	4.6
Flood	5.0'	150	2.7	2.7
	7.5'	74	3.6	3.6
	10.0'	43	4.8	4.8
	12.5'	28	5.8	5.8
Wide Flood	5.0'	97	3.2	3.2
	7.5'	46	4.6	4.6
	10.0'	27	6.1	6.1
	12.5'	17	7.5	7.5



Notes and Definitions:

Beam spread is to 50% center beam candlepower (CBCP).

D=Distance to floor or wall.

FC=Footcandles on floor or wall at center beam aiming location.

L=Effective Visual Beam length in feet (50% of maximum footcandle level).

W=Effective Visual Beam width in feet (50% of maximum footcandle level).

CB=Distance across or down to center beam location.

Hornet[®] HP

3.5" Round Downlights



PROJECT:

TYPE:

Hornet HP Round Adjustable:

FIXTURE DATA: (Complete photometric data (.ies format) available upon request)

MULTIPLYING FACTORS: (Multiplying Factor is based on 3000K-83 120V IES file on website)

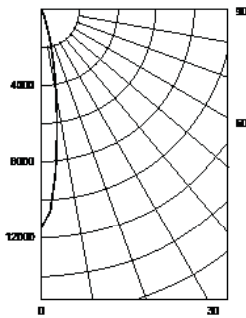
Wattage:	13W	18W	20W
Factor:	0.65	0.90	1.0

CCT:	2700K-83	3000K-83	3500K-83	4000K-83
Factor:	0.96	1.0	1.02	1.04

CCT:	2200K-90+	2700K-90+	3000K-90+	3500K-90+	4000K-90+	CRISP	3CLA
Factor:	0.71	0.80	0.83	0.87	0.90	0.65	0.75

20W LED, 3000K

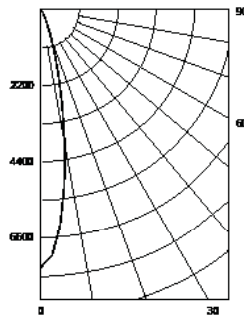
Spot (SP) Distribution, 15°
LTL #818224
Lumens: 1,332



Candelas at Nadir

Deg	Candela
0	11367
5	8488
15	1846
25	199
35	38
45	3

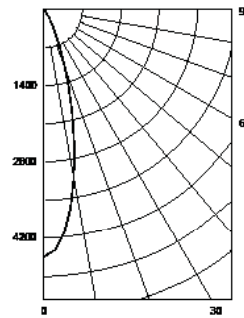
Narrow Flood (NF) Distribution, 22°
LTL #818225
Lumens: 1,238



Candelas at Nadir

Deg	Candela
0	7412
5	6254
15	1895
25	288
35	49
45	4

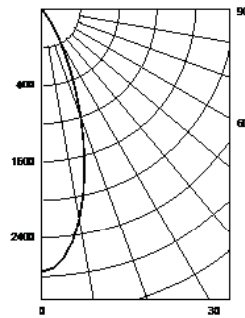
Flood (FL) Distribution, 28°
LTL # 818227
Lumens: 1,193



Candelas at Nadir

Deg	Candela
0	4527
5	4117
15	1963
25	488
35	77
45	5

Wide Flood (WF) Distribution, 45°
LTL # 818228
Lumens: 1,138



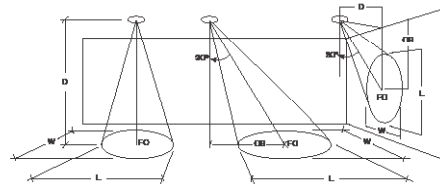
Candelas at Nadir

Deg	Candela
0	2747
5	2609
15	1715
25	693
35	149
45	8

Application Data:

0° Aiming Angle Horizontal Footcandles

	D	FC	L	W
Spot	5.0'	286	1.9	1.9
	7.5'	157	2.7	2.7
	10.0'	97	3.3	3.3
	12.5'	65	3.9	3.9
Narrow Flood	5.0'	215	2.2	2.2
	7.5'	112	3.0	3.0
	10.0'	67	3.8	3.8
	12.5'	44	4.7	4.7
Flood	5.0'	148	2.7	2.7
	7.5'	73	3.7	3.7
	10.0'	43	4.8	4.8
	12.5'	28	5.9	5.9
Wide Flood	5.0'	97	3.2	3.2
	7.5'	46	4.6	4.6
	10.0'	26	6.1	6.1
	12.5'	17	7.6	7.6



Notes and Definitions:

Beam spread is to 50% center beam candlepower (OBOP).

D=Distance to floor or wall.

FC=Footcandles on floor or wall at center beam aiming location.

L=Effective Visual Beam length in feet (50% of maximum footcandle level).

W=Effective Visual Beam width in feet (50% of maximum footcandle level).

CB=Distance across or down to center beam location.

Hornet[®] HP

3.5" Round Downlights



PROJECT:

TYPE:

Hornet HP Round Pinhole Adjustable:

FIXTURE DATA: (Complete photometric data (.ies format) available upon request)

MULTIPLYING FACTORS: (Multiplying Factor is based on 3000K-83 120V IES file on website)

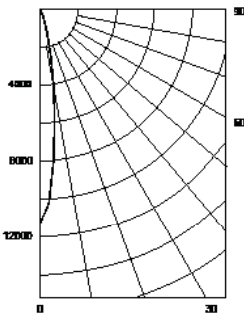
Wattage:	13W	18W	20W
Factor:	0.65	0.90	1.0

CCT:	2700K-83	3000K-83	3500K-83	4000K-83
Factor:	0.96	1.0	1.02	1.04

CCT:	2200K-90+	2700K-90+	3000K-90+	3500K-90+	4000K-90+	CRISP	3CLA
Factor:	0.71	0.80	0.83	0.87	0.90	0.65	0.75

20W LED, 3000K

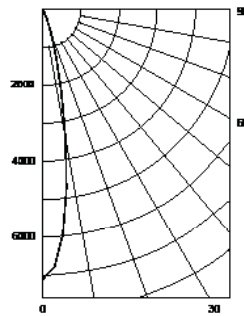
Spot (SP) Distribution, 15°
LTL #818216
Lumens: 1,099



Candelas at Nadir

Deg	Candela
0	11209
5	7888
15	1423
25	64
35	6
45	1

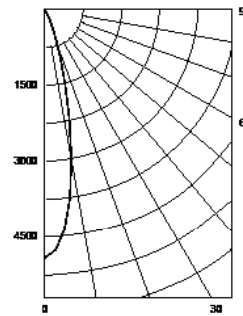
Narrow Flood (NF) Distribution, 22°
LTL #818217
Lumens: 959



Candelas at Nadir

Deg	Candela
0	7083
5	5941
15	1387
25	99
35	8
45	0

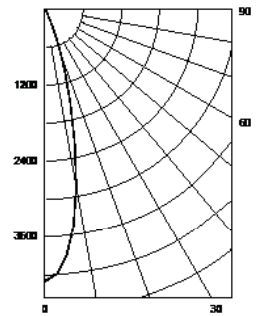
Medium Flood (MFL) Distribution, 28°
LTL # 818218
Lumens: 899



Candelas at Nadir

Deg	Candela
0	4898
5	4358
15	1508
25	176
35	10
45	0

Flood (FL) Distribution, 45°
LTL # 818219
Lumens: 876

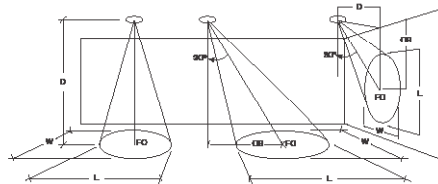


Candelas at Nadir

Deg	Candela
0	4293
5	3897
15	1526
25	198
35	11
45	0

Application Data:

	0° Aiming Angle Horizontal Footcandles			
	D	FC	L	W
Spot	5.0'	265	1.8	1.8
	7.5'	148	2.5	2.5
	10.0'	92	3.1	3.1
	12.5'	63	3.7	3.7
Narrow Flood	5.0'	201	2.0	2.0
	7.5'	106	2.8	2.8
	10.0'	64	3.5	3.5
	12.5'	42	4.4	4.4
Flood	5.0'	153	2.3	2.3
	7.5'	77	3.2	3.2
	10.0'	45	4.2	4.2
	12.5'	30	5.1	5.1
Wide Flood	5.0'	138	2.4	2.4
	7.5'	69	3.4	3.4
	10.0'	40	4.4	4.4
	12.5'	26	5.4	5.4



Notes and Definitions:

Beam spread is to 50% center beam candlepower (CBCP).

D=Distance to floor or wall.

FC=Footcandles on floor or wall at center beam aiming location.

L=Effective Visual Beam length in feet (50% of maximum footcandle level).

W=Effective Visual Beam width in feet (50% of maximum footcandle level).

CB=Distance across or down to center beam location.

Hornet[®] HP

3.5" Round Downlights



PROJECT:

TYPE:

Hornet HP Round Pinhole Adjustable Slot:

FIXTURE DATA: (Complete photometric data (.ies format) available upon request)

MULTIPLYING FACTORS: (Multiplying Factor is based on 3000K-83 120V IES file on website)

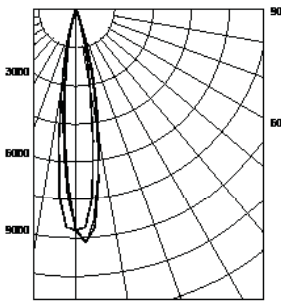
Wattage:	13W	18W	20W
Factor:	0.65	0.90	1.0

CCT:	2700K-83	3000K-83	3500K-83	4000K-83
Factor:	0.96	1.0	1.02	1.04

CCT:	2200K-90+	2700K-90+	3000K-90+	3500K-90+	4000K-90+	CRISP	3CLA
Factor:	0.71	0.80	0.83	0.87	0.90	0.65	0.75

20W LED, 3000K

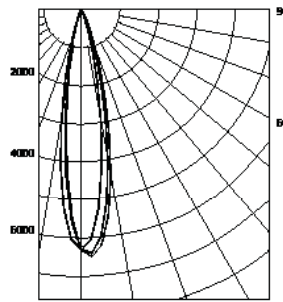
Spot (SP) Distribution, 15°
LTL #818220
Lumens: 1,016



Candelas at Nadir

Deg	Candela
0	8708
5	7439
15	1282
25	33
35	5
45	0

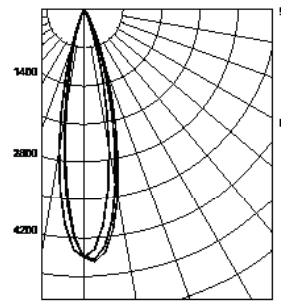
Narrow Flood (NF) Distribution, 22°
LTL #818221
Lumens: 909



Candelas at Nadir

Deg	Candela
0	6311
5	5258
15	1202
25	62
35	7
45	0

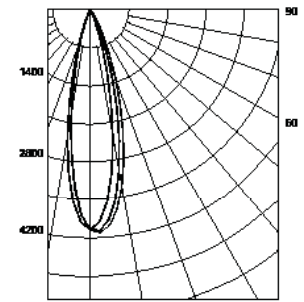
Medium Flood (MFL) Distribution, 28°
LTL # 818222
Lumens: 851



Candelas at Nadir

Deg	Candela
0	4560
5	3994
15	1320
25	116
35	8
45	0

Flood (FL) Distribution, 45°
LTL # 818223
Lumens: 833

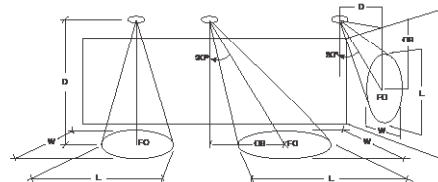


Candelas at Nadir

Deg	Candela
0	4055
5	3556
15	1218
25	113
35	8
45	0

Application Data:

		0° Aiming Angle Horizontal Footcandles			
		D	FC	L	W
Spot	5.0'	233	2.0	1.9	
	7.5'	127	2.6	2.6	
	10.0'	77	3.3	3.3	
	12.5'	52	4.0	4.0	
Narrow Flood	5.0'	180	2.2	2.0	
	7.5'	94	2.9	2.8	
	10.0'	57	3.8	3.6	
	12.5'	38	4.6	4.5	
Flood	5.0'	140	2.3	2.3	
	7.5'	71	3.3	3.1	
	10.0'	42	4.3	4.1	
	12.5'	28	5.2	5.2	
Wide Flood	5.0'	127	2.5	2.3	
	7.5'	64	3.6	3.2	
	10.0'	38	4.6	4.2	
	12.5'	25	5.8	5.4	



Notes and Definitions:

Beam spread is to 50% center beam candlepower (CBCP).

D=Distance to floor or wall.

FC=Footcandles on floor or wall at center beam aiming location.

L=Effective Visual Beam length in feet (50% of maximum footcandle level).

W=Effective Visual Beam width in feet (50% of maximum footcandle level).

CB=Distance across or down to center beam location.

Hornet[®] HP

3.5" Round Downlights



PROJECT:

TYPE:

DIMMING COMPATIBILITY:

Amerlux[®] Hornet fixtures are compatible with all major dimming protocols prevalent in the United States. Please see below for general compatibilities and wiring diagrams. Amerlux recommends testing your unique dimming configuration as the exact full configuration (Dimmer, Fixture Quantity, Voltage, etc) may affect dimming performance.

--- NOTE: INFORMATION BELOW IS FOR WIRED DIMMERS ONLY. FOR WIRELESS DIMMERS, CONSULT FACTORY ---

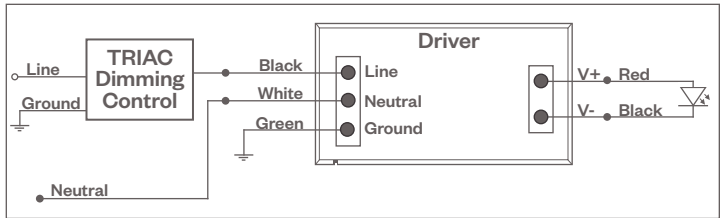
TRIAC (Forward Phase) DIMMING (Standard)

Utilizes standard TRIAC dimmers that are in wide use in installations across the US. Best for retrofit applications where TRIAC dimmers are installed.

Notes:

- 120VAC or 277VAC*
- Dims down to 5% light output (most cases)
- Consult Dimming manufacturer for installation instructions - DO NOT SHARE NEUTRALS!
- Must meet dimmer Minimum Load Requirements per dimming manufacturer

TRIAC Wiring Diagram



Compatible Dimmers†:

Wall Box (TRIAC 120VAC)

Lutron "Diva"
Lutron "Nova-T"
Lutron "Maestro"
Lutron "Skylark"

Central System

Lutron "GP" Panel
Lutron Grafik Eye QS

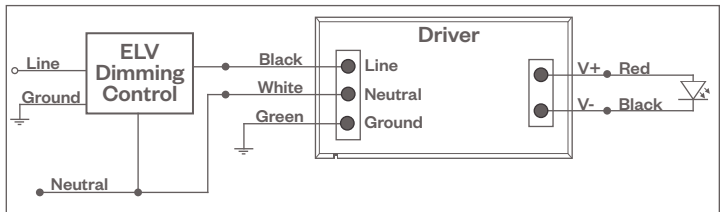
ELV - Electronic Low Voltage (Reverse Phase) DIMMING (Standard)

Utilizes specialized "ELV" dimmers.

Notes:

- 120VAC or 277VAC*
- Dims down to 5% light output (most cases)
- Consult Dimming manufacturer for installation instructions - DO NOT SHARE NEUTRALS!
- Must meet dimmer Minimum Load Requirements

ELV Wiring Diagram



Compatible Dimmers†:

Wall Box (ELV 120VAC)

Lutron "Diva"
Lutron "Nova-T"
Lutron "Maestro"
Lutron "Skylark"
Leviton "Surslide"
Leviton "Vizio"

Wall Box (ELV 277VAC)

Leviton Revoir II AWSMT-E

Central System

Lutron "GP" Panel with PHPM-PA 120/277VAC
Lutron Grafik Eye QS with PHPM-PA 120/277VAC

Notes:

- * Driver is 277VAC dimmable with appropriate dimmer (by others). All provided wiring diagrams show 120VAC wiring colors and method. Please refer to 277VAC dimmer manufacturer installation instructions for 277VAC wiring diagrams.
- † The absence of a dimmer from the lists above does not imply incompatibility. Please consult factory for compatibility inquiries.

Hornet[®] HP

3.5" Round Downlights



PROJECT:

TYPE:

DIMMING COMPATIBILITY:

Amerlux[®] Hornet fixtures are compatible with all major dimming protocols prevalent in the United States. Please see below for general compatibilities and wiring diagrams. Amerlux recommends testing your unique dimming configuration as the exact full configuration (Dimmer, Fixture Quantity, Voltage, etc) may affect dimming performance.

--- NOTE: INFORMATION BELOW IS FOR WIRED DIMMERS ONLY. FOR WIRELESS DIMMERS, CONSULT FACTORY ---

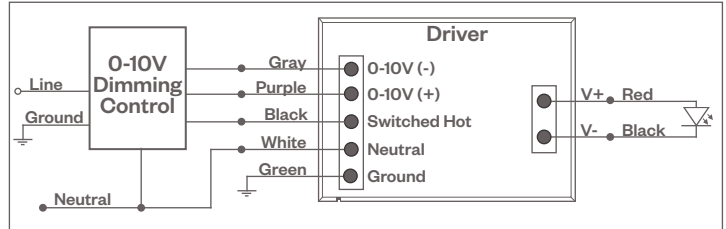
0-10V DIMMING

Integrates into a variety of building management and daylighting controls

Notes:

- 120VAC or 277VAC*
- Dims down to 1% light output
- Requires interface to turn off power to driver
- Consult Dimming manufacturer for installation instructions - DO NOT SHARE NEUTRALS!

0-10V Wiring Diagram



Compatible Dimmers*:

Wall Box

Lutron "Diva" - DVSTV | Leviton Renoir II 0-10V

Central System

Lutron Grafik Eye with GRX-TV1 Interface

LUTRON LDE1 DIMMING

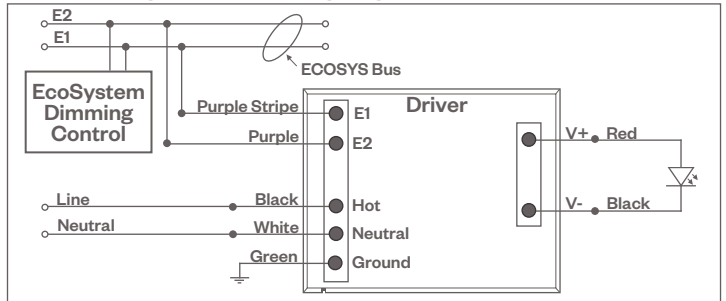
Integrates into Lutron EcoSystem building management

Notes:

- 120VAC or 277VAC*
- Dims down to 1% Soft-On/Fade-to-Black
- EcoSystem Control
- Consult Dimming manufacturer for installation instructions - DO NOT SHARE NEUTRALS!

Lutron LDE1 (HILUME-H-ECO)

EcoSystem Digital Control Wiring Diagram



Compatible Dimmers*:

Lutron ECO System

Pow Pak Dimming Modules
Energj Savr Node
Grafik Eye QS/Homeworks
QS Control Unit
Quantum Hub
Homeworks QS/My Room

Central System

Lutron EcoSystem compatible controls

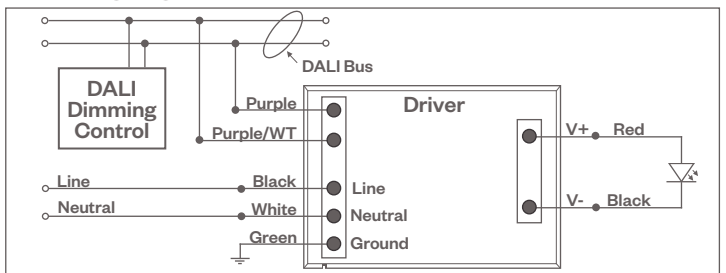
DALI DIMMING

Digital control protocol allows individual fixture control

Notes:

- 120VAC - 277VAC*
- Dims down to 1% light output in most cases

DALI Wiring Diagram



Compatible Dimmers*:

Wall Box (3-Wire Fluorescent)

Leviton CD250 Controller

Central System

Dynalite
Fifth Light

Notes:

- * Driver is 277VAC dimmable with appropriate dimmer (by others). All provided wiring diagrams show 120VAC wiring colors and method. Please refer to 277VAC dimmer manufacturer installation instructions for 277VAC wiring diagrams.
- † The absence of a dimmer from the lists above does not imply incompatibility. Please consult factory for compatibility inquiries.

Hornet[®] HP

3.5" Round Downlights



PROJECT:

TYPE:

EMERGENCY DIMMING (-EM OPTION)

Wiring Diagram

