

# HORNET® HP DOWNLIGHT

3.5" ROUND DOWNLIGHT LED INTERNATIONAL

I-HDL-HP-  
RD-A14  
LED



**APPLICATION:**

Retail, commercial & hospitality ambient & task lighting

**CONSTRUCTION:**

Die-cast aluminum trim ring  
Die-cast optical head construction  
Spring steel retaining clips  
Painted finishes include matte white and optical matte black with matte white flange

**ELECTRICAL:**

Electronic constant current LED driver, 240v  
ELV & Triac dimming standard

**This product complies with IEEE C62.41 for surge endurance up to 2.5KV. Amerlux® recommends using additional surge protection with this unit (supplied by others), surge damage is not covered by warranty.**

**OPTICS:**

Available in a variety of beam spreads  
LED:

Color Temp Options: 2200K, 2700K, 3000K, 3500K, 4000K  
CRI: 83 typ. (2700K, 3000K, 3500K, 4000K)  
90+ typ. (2200K, 2700K, 3000K)

Optional Amerlux CrispWhite technology (16W max)

R9 Value: 11 (83CRI), 55 (90+CRI)

Binning: 3 MacAdam (SDMC)

Lumen Maintenance: >70% of initial lumens @ 50,000 hrs  
Lumen Output (at 3000K):

16W: SP 1191 typ.

NF 1112 typ.

FL 1067 typ.

WF 1011 typ.

18W: SP 1323 typ.

NF 1236 typ.

FL 1185 typ.

WF 1123 typ.

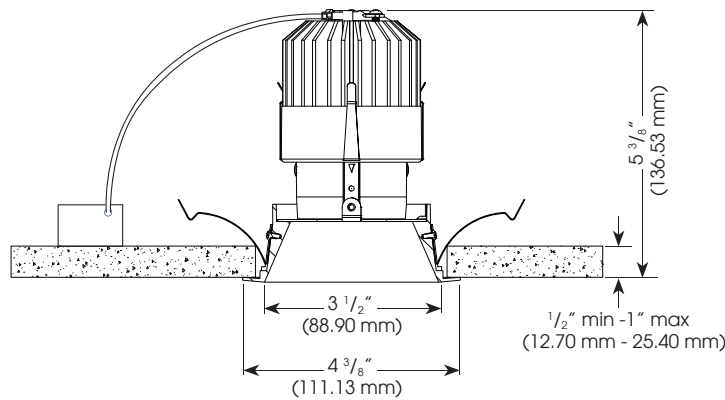
**LABELING:**



For indoor use only

PROJECT:

TYPE:



Ceiling Cut Out Dimension: 3 5/8" (98 mm)



**ELECTRICAL**

Electronic driver

	11W		16W		18W	
	System Watts	Amps	System Watts	Amps	System Watts	Amps
240v	11	0.05	16	0.07	18	0.08

**ORDERING INFORMATION:**

Model	Wattage	Lamp Type	Voltage	Aperture Finish	Beam Spread	Color Temp (CCT-CRI)	Listing Code	Options/Accessories				
I-HDL-HP-RD-A14	11 16 18	LED	240	<u>Reflector with White Painted Flange</u>	SP - spot, 15°	27 - 2700K-83	CE	HEX - hexcell louver SOL - solite beam softening lens DALI - DALI driver				
					NF - narrow flood, 20°	30 - 3000K-83						
					MFL - medium flood, 24°	35 - 3500K-83						
	<u>Reflector with Black Painted Flange</u>			FL - flood, 28°	40 - 4000K-83	229 - 2200K-90+ 279 - 2700K-90+ 309 - 3000K-90+						
				WF - wide flood, 45°	CRISP - CrispWhite (16W max) 3CLA - 3K Class A							
				VWF - very wide flood, 60°								
	<u>Reflector with Silver Painted Flange</u>			LS - linear spread, 60° x 10°								
							<u>Reflector with Silver Painted Flange</u>					
							SLVS - matte silver					

Example: I-HDL-HP-RD-A14-18-LED-240-MBW-FL-30-CE

Cat #:

Amerlux reserves the right to change details that do not affect overall function and performance.



**3 year limited warranty**  
AMERLUX INTERNATIONAL  
(see website for details)

# HORNET® HP DOWNLIGHT

3.5" ROUND DOWNLIGHT LED INTERNATIONAL

I-HDL-HP-  
RD-A14  
LED



TYPE:



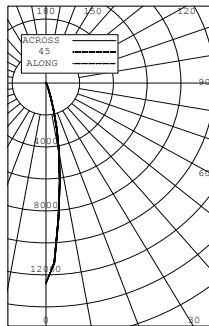
**FIXTURE DATA:** For 11W data, multiply by 0.62; For 16W data, multiply by 0.88

Complete photometric data (ies format) available upon request.

CCT Conversion Factor: 2700K-83 = 0.96; 3500K-83 = 1.02; 4000K-83 = 1.04; 2200K-90+ = 0.71; 2700-90+ = 0.80; 3000K-90+ = 0.83; CRISP = 0.65; 3CLA = 0.75

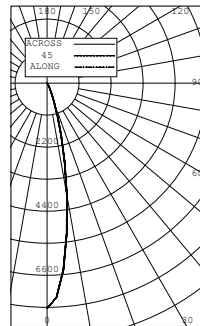
## 18W LED 3000K-83

SPOT  
DISTRIBUTION  
LTL # 818231



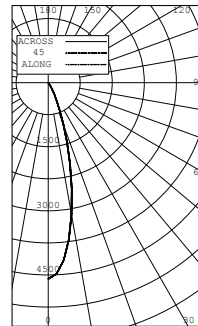
Candelas at Nadir	
Deg	Candela
0	12508
5	8495
15	1754
25	190
35	32
45	3

NARROW FLOOD  
DISTRIBUTION  
LTL # 818232



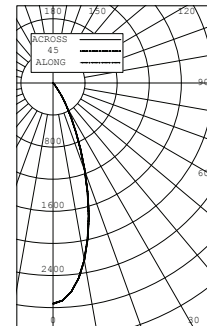
Candelas at Nadir	
Deg	Candela
0	7734
5	6428
15	1866
25	277
35	45
45	4

FLOOD  
DISTRIBUTION  
LTL # 818234



Candelas at Nadir	
Deg	Candela
0	4591
5	4168
15	1966
25	470
35	72
45	4

WIDE FLOOD  
DISTRIBUTION  
LTL # 818235

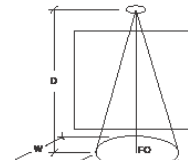


Candelas at Nadir	
Deg	Candela
0	2751
5	2614
15	1719
25	676
35	141
45	7

## APPLICATION DATA:

### Notes and Definitions:

Beam spread is to 50% center beam candlepower (CBCP).  
 D=Distance to floor or wall.  
 FC=Footcandles on floor or wall at center beam aiming location.  
 L=Effective Visual Beam length in feet (50% of maximum footcandle level).  
 W=Effective Visual Beam width in feet (50% of maximum footcandle level).  
 CB=Distance across or down to center beam location.



0° Aiming Angle  
Horizontal  
Footcandles

	D	FC	L	W
SPOT	5.0'	483	1.4	1.4
	7.5'	223	1.9	1.9
	10.0'	124	2.7	2.7
	12.5'	80	3.3	3.3
NARROW FLOOD	5.0'	231	2.1	2.1
	7.5'	120	2.9	2.9
	10.0'	71	3.7	3.7
	12.5'	47	4.6	4.6
FLOOD	5.0'	150	2.7	2.7
	7.5'	74	3.6	3.6
	10.0'	43	4.8	4.8
	12.5'	28	5.8	5.8
WIDE FLOOD	5.0'	97	3.2	3.2
	7.5'	46	4.6	4.6
	10.0'	27	6.1	6.1
	12.5'	17	7.5	7.5