

1" Square Adjustable



Features

The FINCH family of recessed downlights with a 1" aperture, features exceptional output, and a broad range of configurations to provide discreet quality illumination while integrating into the architecture. It is available in fixed, adjustable (30° tilt) and wall wash. Round or square, trimmed, trimless or millwork and is serviceable from below.

The FINCH recessed adjustable can be coupled with the surface cylinder to create a broader composition and a unique design.

Product Overview

Type:	Recessed Square Adjustable
Wattage:	6W, 8W, 10W, 12W
Color Temp:	2400K, 2700K, 3000K, 3500K, 4000K
ORI:	80+ & 90+ typ.
Dimming:	0-10V, DALI, TRIAC/ELV, Hilume

PROJECT:

TYPE:

Performance Data

Watts	Lumens	LPW	CCT	ORI
6	667	115	3000K	80+
8	823	100.4	3000K	80+
10	979	95	3000K	80+
12	1112	87.1	3000K	80+

Data is based on wide flood optics, 120V, 3000K, 80+ IES files available on website.

Electrical Data

	6W		8W		10W		12W	
	Watts	Amps	Watts	Amps	Watts	Amps	Watts	Amps
120V	5.8	0.05	8.2	0.06	10.3	0.08	12.7	0.10
277V	6.2	0.03	8.5	0.04	10.4	0.04	12.6	0.05

Electronic constant current LED driver.

Data is based on tests using ELV/TRIAC (LE/TE) driver.

PROJECT:

TYPE:

1" Recessed Square Adjustable Housing/Frame Ordering Information

FIN-SA		
1	2	3
1 Model	2 Style	3 Options/Accessories
New Construction FIN-SA-NC (non-IC) FIN-SA-CP (Chicago Plenum (CCEA), 10W max) FIN-SA-IC (Insulated Ceiling/air tight, 10W max)	T trimmed TL trimless MWK millwork	HB49 hanger bars from min 29" to max 49"

1" Recessed Square Adjustable Trim Ordering Information

FIN-SA					
1	2	3	4	5	6
1 Model	2 Style	3 Finish		4 Beam Spread	
FIN-SA adjustable	T trimmed TL trimless MWK millwork	Trimmed MBW matte black, white flange MWW matte white, white flange SLVW matte silver, white flange MBB matte black, black flange SLVS matte silver, silver flange		Trimless/Millwork MB matte black MW matte white SLV matte silver	
				SP spot 18° FL flood 28° WF wide flood 34° VWF very wide flood 52°	
5 Color Temp and CRI	6 Accessories				
30 3000K, 80+ 35 3500K, 80+ 40 4000K, 80+ 249 2400K, 90+ 279 2700K, 90+ 309 3000K, 90+ 359 3500K, 90+ 409 4000K, 90+	SOL solite beam softening lens HEX hexcell louver LS linear spread lens 10°x60°				

Remote Driver Ordering Information

Amerlux offers a mounting plate for each remote driver for mounting in enclosure by others, or a single remote box for one driver (RBX), or a single remote box for two drivers (RBX2). Electrical Contractor (EC) is responsible for adherence to all local codes.

FINPW			
1	2	3	4
1 Model	2 Wattage	3 Drivers	4 Driver Enclosure Options
FINPW	6 6W (667 lm) 8 8W (823 lm) 10 10W (979 lm) 12 12W (1112 lm)	O-10V 0-10V dimming, 1%, 120/277VAC DALI DALI dimming, 1%, 120/277VAC LE/TE TRIAC/ELV dimming, 5%, 120/277VAC HILUME-H-ECO Lutron LDE1 Hi-lume® 1% Soft-On/Fade-to-Black, 120/277VAC (for use with 10W & 12W only)	MP mounting plate (standard) RBX remote box (1 driver) RBX2 remote box (2 drivers)

PROJECT:

TYPE:

Specifications

Construction

- Galvanized steel frame
- Galvanized steel splice housing and hanger brackets (not for Remodeler version)
- Screwless plaster frame with perforated face for easier installation (for trimless version only)
- Aluminum heatsink
- Die-cast aluminum trim

Optical

- Tilt: 0-30°; Rotation: 360°
- Beam Spreads: Spot 18°, Flood 28°, Wide Flood 34°, Very Wide Flood 52°, Linear Spread 10°x60°

LED

- Color Temp: 2400K, 2700K, 3000K, 3500K, 4000K
- CRI: 80+ typ (3000K, 3500K, 4000K)
90+ typ. (2400K, 2700K, 3000K, 3500K, 4000K)
- R9 Values: 11 (83 CRI); 55 (92 CRI)
- Binning: 3 MacAdam (SDCM)
- Life: 50,000+ hrs, > 70% of initial lumens at 50,000 hrs

Electrical

- Wattage: 6W, 8W, 10W, 12W
- Electronic constant current LED driver, 120/277VAC input

Finish

- Powder coat paint/wet paint
- Consult factory for custom finishes*

Mounting

- 26" Hanger bars included
- Optional **HB49** - hanger bars from min 29" to max 49" available

Trimmed Fixture:

For use in grid or sheetrock ceilings, 1" max ceiling thickness.

Trimless Fixture:

For use in sheetrock ceilings, 1" max ceiling thickness.

Millwork Fixture:

Millwork extension collars are based on ceiling material specifications and thickness. Provides flush trim appearance level with ceiling material. 1" max ceiling thickness.

Certifications

- CSA tested to UL standards
- Indoor use only
- IC/AT rated (optional)
- Damp location

Warranty

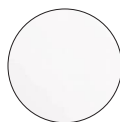
- 5 year limited warranty

Finish Options

Powder coat paint.
Consult factory for custom finishes.



Matte Black



Matte White



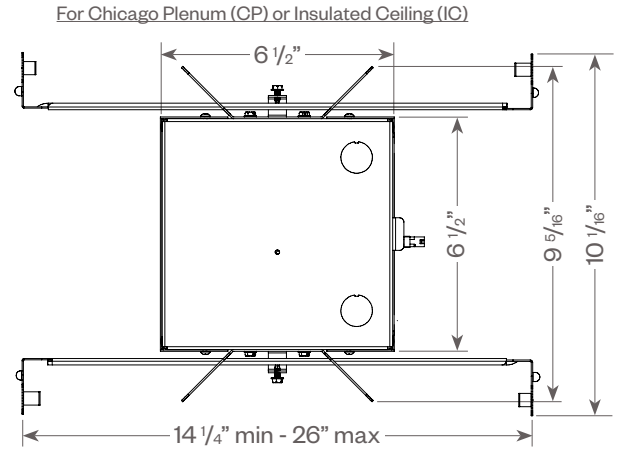
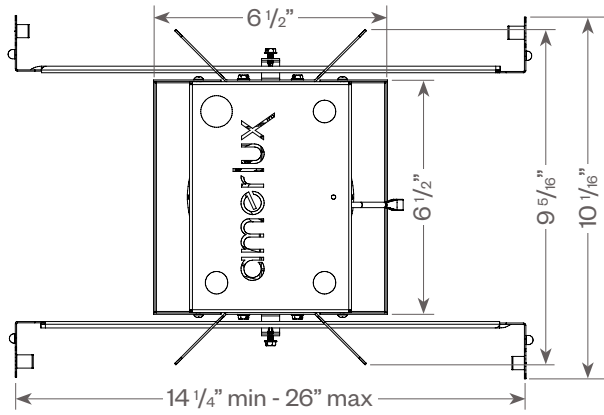
Matte Silver

PROJECT:

TYPE:

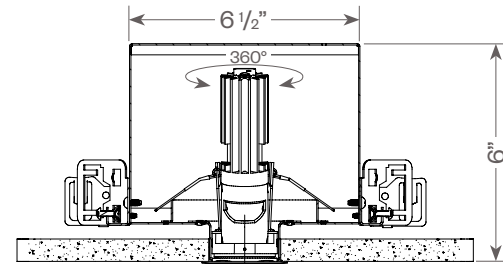
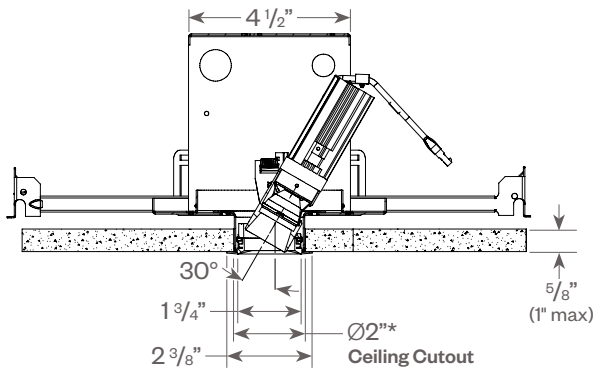
Product Details

Housing/Frame



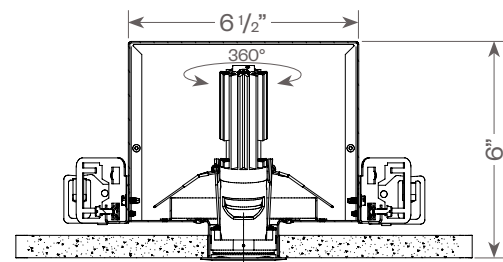
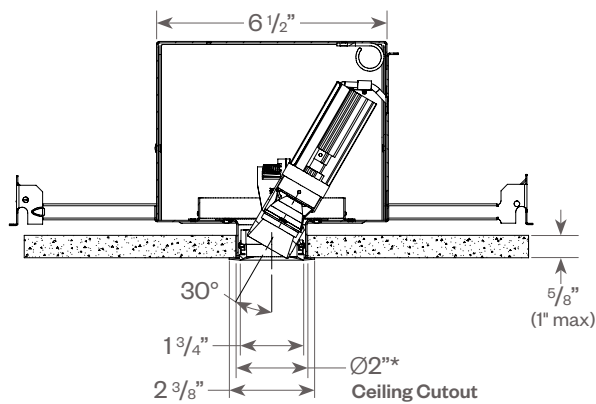
Trimmed

FIN-SA-NC.T



* Note: Round cutout will work for this application.

FIN-SA-CP/IC.T



* Note: Round cutout will work for this application.

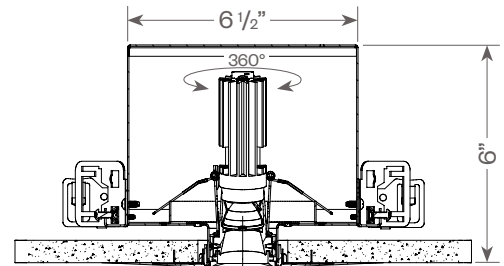
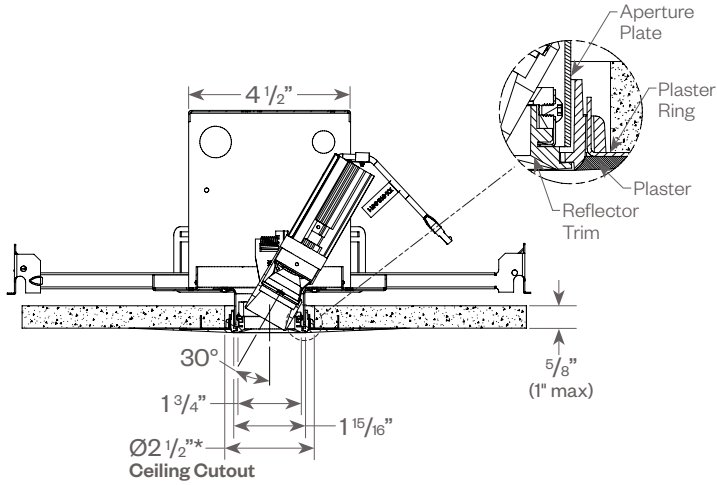
PROJECT:

TYPE:

Product Details (continued)

Trimless

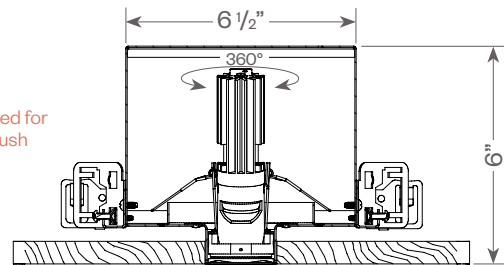
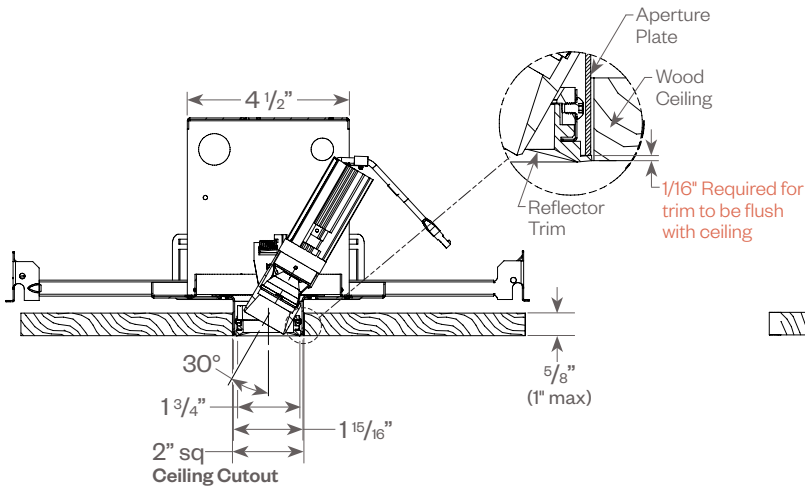
FIN-SA-NC.TL



* Note: Round cutout will work for this application.

Millwork

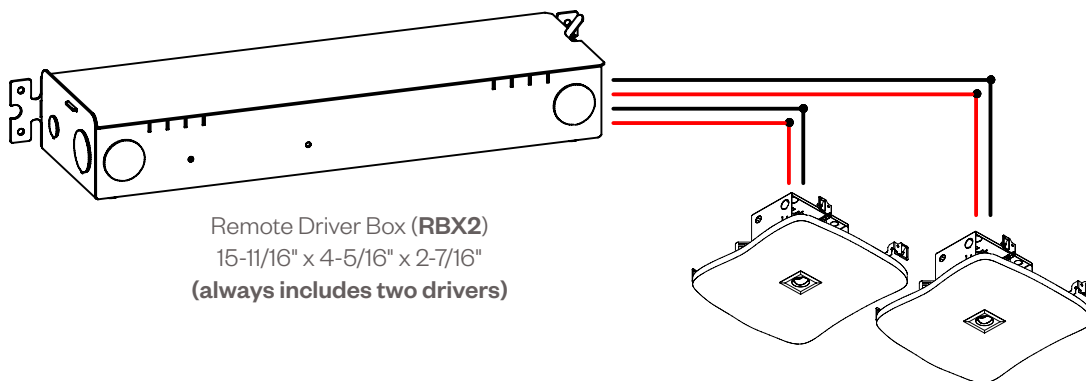
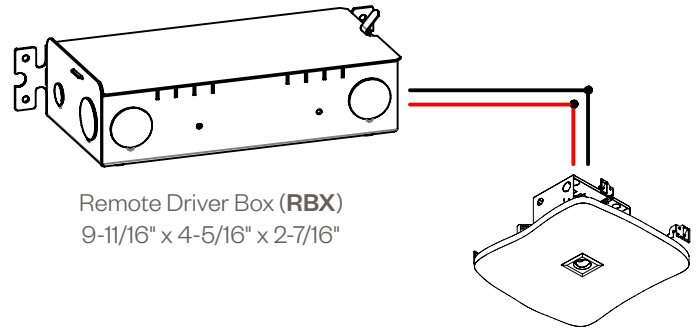
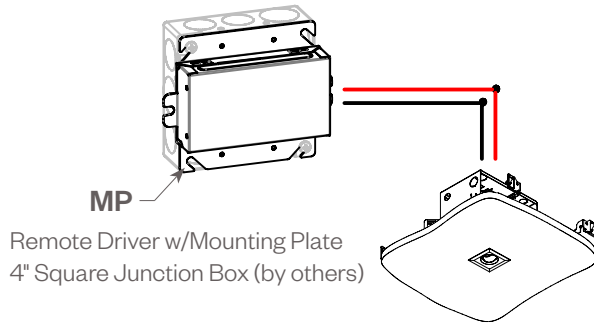
FIN-SA-NC.MWK



PROJECT:

TYPE:

Enclosure Options for Remote Driver



Note: Maximum remote wiring distance is 100 linear feet of 18 AWG wire and 50 linear feet of 22 AWG wire.

PROJECT:

TYPE:

Performance Data

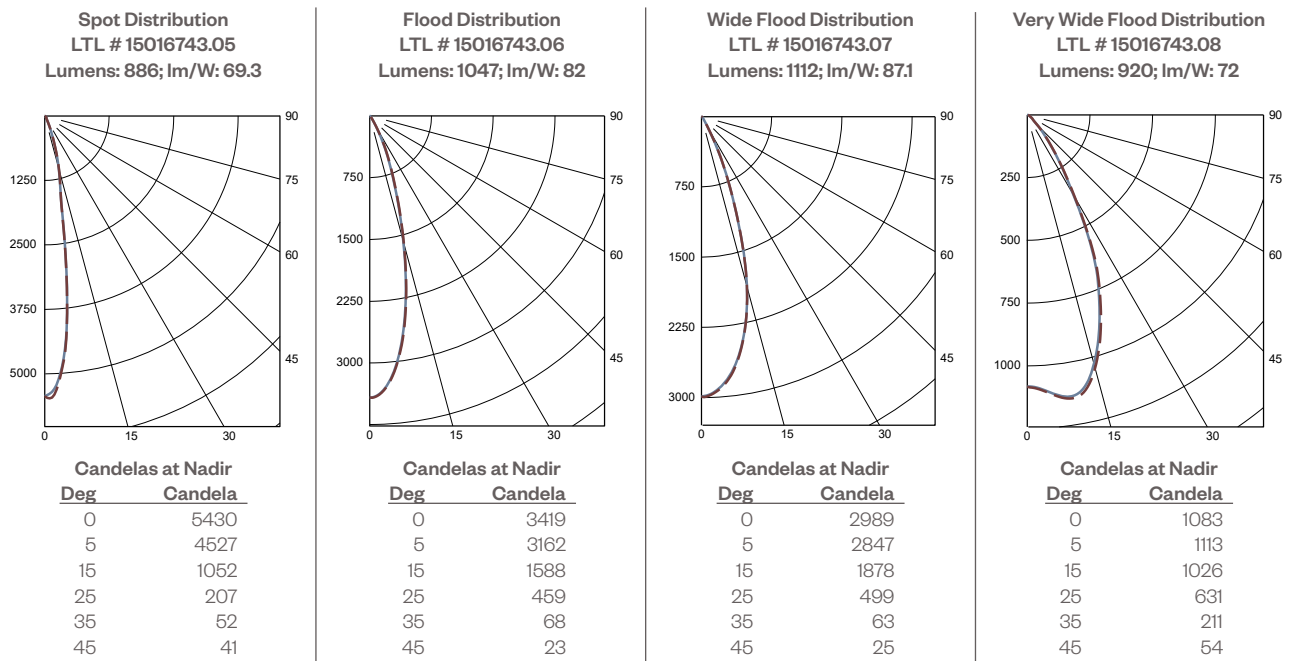
Multiplying Factors:

Wattage:	6W	8W	10W	12W
Factor:	0.60	0.74	0.88	1.0

CCT:	3000K, 80+	3500K, 80+	4000K, 80+	2400K, 90+	2700K, 90+	3000K, 90+	3500K, 90+	4000K, 90+
Factor:	1.0	1.04	1.06	0.76	0.83	0.88	0.92	0.93

Multiplying Factor is based on 3000K, 80+ 120V IES file on website.

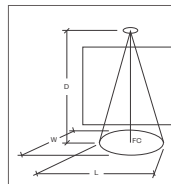
12W, 3000K, 80+







Application Data

Notes and Definitions:

- Beam spread is to 50% center beam candlepower (CBCP).
- D=Distance to floor or wall.
- FC=Footcandles on floor or wall at center beam aiming location.
- L=Effective Visual Beam length in feet (50% of maximum footcandle level).
- W=Effective Visual Beam width in feet (50% of maximum footcandle level).
- CB=Distance across or down to center beam location.



<p>Spot</p> <p>0° Aiming Angle Horizontal Footcandles</p>  <table border="1"> <thead> <tr> <th>D</th> <th>FC</th> <th>L</th> <th>W</th> </tr> </thead> <tbody> <tr><td>5.0'</td><td>148</td><td>1.9</td><td>1.9</td></tr> <tr><td>7.5'</td><td>81</td><td>2.6</td><td>2.6</td></tr> <tr><td>10.0'</td><td>49</td><td>3.2</td><td>3.2</td></tr> <tr><td>12.5'</td><td>33</td><td>3.8</td><td>3.8</td></tr> </tbody> </table>	D	FC	L	W	5.0'	148	1.9	1.9	7.5'	81	2.6	2.6	10.0'	49	3.2	3.2	12.5'	33	3.8	3.8	<p>Flood</p> <p>0° Aiming Angle Horizontal Footcandles</p>  <table border="1"> <thead> <tr> <th>D</th> <th>FC</th> <th>L</th> <th>W</th> </tr> </thead> <tbody> <tr><td>5.0'</td><td>115</td><td>2.7</td><td>2.7</td></tr> <tr><td>7.5'</td><td>56</td><td>3.7</td><td>3.7</td></tr> <tr><td>10.0'</td><td>33</td><td>5.0</td><td>5.0</td></tr> <tr><td>12.5'</td><td>21</td><td>6.1</td><td>6.1</td></tr> </tbody> </table>	D	FC	L	W	5.0'	115	2.7	2.7	7.5'	56	3.7	3.7	10.0'	33	5.0	5.0	12.5'	21	6.1	6.1	<p>Wide Flood</p> <p>0° Aiming Angle Horizontal Footcandles</p>  <table border="1"> <thead> <tr> <th>D</th> <th>FC</th> <th>L</th> <th>W</th> </tr> </thead> <tbody> <tr><td>5.0'</td><td>107</td><td>3.0</td><td>3.0</td></tr> <tr><td>7.5'</td><td>50</td><td>4.5</td><td>4.5</td></tr> <tr><td>10.0'</td><td>29</td><td>5.9</td><td>5.9</td></tr> <tr><td>12.5'</td><td>19</td><td>7.3</td><td>7.3</td></tr> </tbody> </table>	D	FC	L	W	5.0'	107	3.0	3.0	7.5'	50	4.5	4.5	10.0'	29	5.9	5.9	12.5'	19	7.3	7.3	<p>Very Wide Flood</p> <p>0° Aiming Angle Horizontal Footcandles</p>  <table border="1"> <thead> <tr> <th>D</th> <th>FC</th> <th>L</th> <th>W</th> </tr> </thead> <tbody> <tr><td>5.0'</td><td>44</td><td>4.3</td><td>4.3</td></tr> <tr><td>7.5'</td><td>20</td><td>6.5</td><td>6.5</td></tr> <tr><td>10.0'</td><td>11</td><td>8.6</td><td>8.6</td></tr> <tr><td>12.5'</td><td>7</td><td>10.8</td><td>10.8</td></tr> </tbody> </table>	D	FC	L	W	5.0'	44	4.3	4.3	7.5'	20	6.5	6.5	10.0'	11	8.6	8.6	12.5'	7	10.8	10.8
D	FC	L	W																																																																																
5.0'	148	1.9	1.9																																																																																
7.5'	81	2.6	2.6																																																																																
10.0'	49	3.2	3.2																																																																																
12.5'	33	3.8	3.8																																																																																
D	FC	L	W																																																																																
5.0'	115	2.7	2.7																																																																																
7.5'	56	3.7	3.7																																																																																
10.0'	33	5.0	5.0																																																																																
12.5'	21	6.1	6.1																																																																																
D	FC	L	W																																																																																
5.0'	107	3.0	3.0																																																																																
7.5'	50	4.5	4.5																																																																																
10.0'	29	5.9	5.9																																																																																
12.5'	19	7.3	7.3																																																																																
D	FC	L	W																																																																																
5.0'	44	4.3	4.3																																																																																
7.5'	20	6.5	6.5																																																																																
10.0'	11	8.6	8.6																																																																																
12.5'	7	10.8	10.8																																																																																

PROJECT:

TYPE:

Dimming Compatibility

Amerlux® Finch fixtures are compatible with all major dimming protocols prevalent in the United States. Please see below for general compatibilities and wiring diagrams. Amerlux recommends testing your unique dimming configuration as the exact full configuration (Dimmer, Fixture Quantity, Voltage, etc) may affect dimming performance.

--- NOTE: INFORMATION BELOW IS FOR WIRED DIMMERS ONLY. FOR WIRELESS DIMMERS, CONSULT FACTORY ---

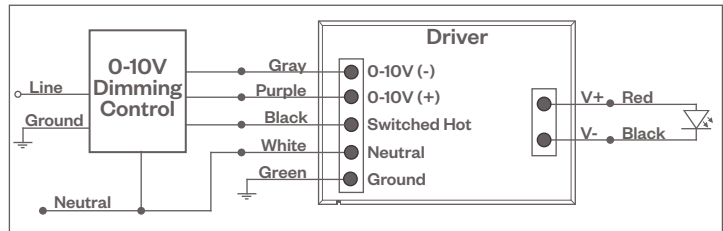
0-10V DIMMING

Integrates into a variety of building management and daylighting controls

Notes:

- 120VAC or 277VAC*
- Dims down to 1% light output
- Requires interface to turn off power to driver
- Consult Dimming manufacturer for installation instructions - DO NOT SHARE NEUTRALS!

0-10V Wiring Diagram



Compatible Dimmers†:

Wall Box	Central System
Lutron "Diva" - DVSTV Leviton Renoir II 0-10V	Lutron Grafik Eye with GRX-TVI Interface

DALI DIMMING

Digital control protocol allows individual fixture control

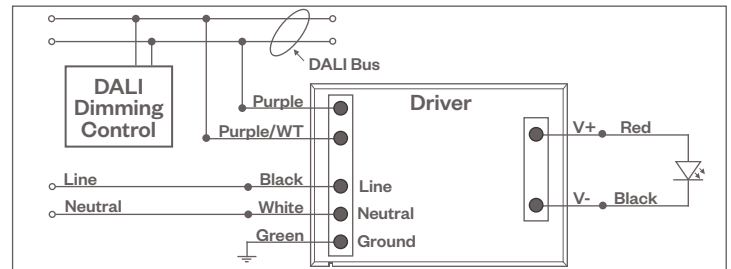
Notes:

- 120VAC or 277VAC
- Dims down to 1% light output in most cases

Compatible Dimmers†:

Wall Box (3-Wire Fluorescent)	Central System
Leviton CD250 Controller	Dynalite Fifth Light

DALI Wiring Diagram



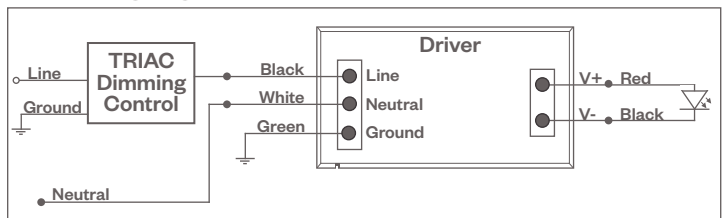
TRIAC (Forward Phase) DIMMING (Standard)

Utilizes standard TRIAC dimmers that are in wide use in installations across the US. Best for retrofit applications where TRIAC dimmers are installed.

Notes:

- 120VAC or 277VAC*
- Dims down to 5% light output (most cases)
- Consult Dimming manufacturer for installation instructions - DO NOT SHARE NEUTRALS!
- Must meet dimmer Minimum Load Requirements per dimming manufacturer

TRIAC Wiring Diagram



Compatible Dimmers†:

Wall Box (TRIAC 120VAC)	Central System
Lutron "Diva"	Lutron "GP" Panel
Lutron "Nova-T"	Lutron Grafik Eye QS
Lutron "Maestro"	
Lutron "Skylark"	

Notes:

* Driver is 277VAC dimmable with appropriate dimmer (by others). All provided wiring diagrams show 120VAC wiring colors and method. Please refer to 277VAC dimmer manufacturer installation instructions for 277VAC wiring diagrams.

† The absence of a dimmer from the lists above does not imply incompatibility. Please consult factory for compatibility inquiries.

PROJECT:

TYPE:

Dimming Compatibility

Amerlux® Finch fixtures are compatible with all major dimming protocols prevalent in the United States. Please see below for general compatibilities and wiring diagrams. Amerlux recommends testing your unique dimming configuration as the exact full configuration (Dimmer, Fixture Quantity, Voltage, etc) may affect dimming performance.

--- NOTE: INFORMATION BELOW IS FOR WIRED DIMMERS ONLY. FOR WIRELESS DIMMERS, CONSULT FACTORY ---

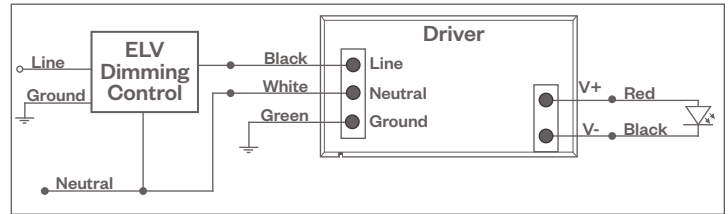
ELV - Electronic Low Voltage (Reverse Phase) DIMMING

Utilizes specialized "ELV" dimmers.

Notes:

- 120VAC or 277VAC*
- Dims down to 5% light output (most cases)
- Consult Dimming manufacturer for installation instructions - DO NOT SHARE NEUTRALS!
- Must meet dimmer Minimum Load Requirements

ELV Wiring Diagram



Compatible Dimmers†:

Wall Box (ELV 120VAC)	Wall Box (ELV 277VAC)	Central System
Lutron "Diva"	Leviton Revoir II AWSMT-E	Lutron "GP" Panel with PHPM-PA 120/277VAC
Lutron "Nova-T"		Lutron Grafik Eye QS with PHPM-PA 120/277VAC
Lutron "Maestro"		
Lutron "Skylark"		
Leviton "Surslide"		
Leviton "Vizio"		

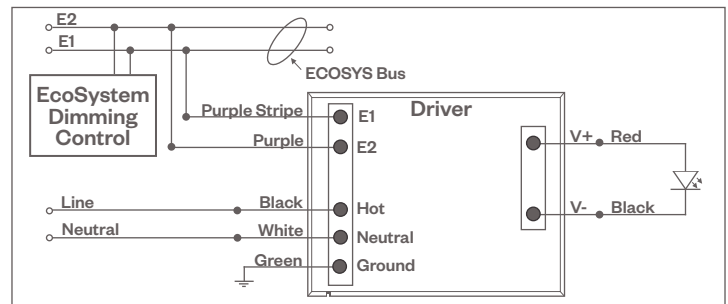
LUTRON LDE1 DIMMING

Integrates into Lutron EcoSystem building management

Notes:

- 120VAC or 277VAC*
- Dims down to 1% Soft-On/Fade-to-Black
- EcoSystem Control
- Consult Dimming manufacturer for installation instructions - DO NOT SHARE NEUTRALS!

LDE1 (HILUME-H-ECO) EcoSystem Digital Control Wiring Diagram



Compatible Dimmers†:

Lutron ECO System	Central System
Pow Pak Dimming Modules	Lutron EcoSystem compatible controls
Energi Savr Node	
Grafik Eye QS/Homeworks	
QS Control Unit	
Quantum Hub	
Homeworks QS/My Room	

Notes:

- * Driver is 277VAC dimmable with appropriate dimmer (by others). All provided wiring diagrams show 120VAC wiring colors and method. Please refer to 277VAC dimmer manufacturer installation instructions for 277VAC wiring diagrams.
- † The absence of a dimmer from the lists above does not imply incompatibility. Please consult factory for compatibility inquiries.